



USER MANUAL

monoMIG 200ik



(+90) 444 93 53
magmaWeld.com
info@magmaWeld.com

 (+90) 538 927 12 62

All rights reserved. It is prohibited to reproduce this documentation, or any part thereof, without the prior written authorisation of Magma Mekatronik Makine Sanayi ve Ticaret A.Ş.
Magma Mekatronik may modify the information and the images without any prior notice.
Tüm hakları saklıdır. Magma Mekatronik Makine Sanayi ve Ticaret A.Ş.'nin yazılı izni olmaksızın bu dokümanın tamamının ya da bir bölümünün kopyalanması yasaktır.
Magma Mekatronik önceden haber vermeksizin bilgilerde ve resimlerde değişiklik yapılabilir.

MIG / MAG WELDING MACHINE

EN

СВАРОЧНЫЙ АППАРАТ ДЛЯ MIG/MAG СВАРКИ

RU

MIG / MAG KAYNAK MAKİNESİ

TR



EN 60974-1

EN 60974 -10

RoHS





CONTENTS

SAFETY PRECAUTIONS	5
1 TECHNICAL INFORMATION	
1.1 General Information	11
1.2 Machine Components	11
1.3 Product Label	12
1.4 Technical Data	13
1.5 Accessories	13
2 INSTALLATION	
2.1 Delivery Control	14
2.2 Installation and Operation Recommendations	14
2.3 Welding Connections	15
2.3.1 Connecting Grounding Clamp to Workpiece	15
2.3.2 Gas Connections	15
2.3.3 Torch Connection and Consumable Changes	16
3 OPERATION	
3.1 User Interface	17
3.2 Menu Structure	18
3.3 Connecting to Mains	18
3.4 Selection and Replacement of Wire Reels	18
3.5 Placing the Wire Spool and Wire Feeding Process	19
3.6 Setting Gas Flow	20
4 MAINTENANCE AND SERVICE	
4.1 Maintenance	21
4.2 Non-Periodic Maintenance	21
4.3 Troubleshooting	22
4.4 Error Codes	23
5 ANNEX	
5.1 Fine Settings in the Wire Feed Unit	24
5.2 Spare Parts List	25
5.3 Connection Diagrams	26

SAFETY PRECAUTIONS

Be Sure To Follow All Safety Rules In This Manual!

Explanation Of Safety Information



- Safety symbols found in the manual are used to identify potential hazards.
- When any one of the safety symbols are seen in this manual, it must be understood that there is a risk of injury and the following instructions should be read carefully to avoid potential hazards.
- The possessor of the machine is responsible for preventing unauthorized persons from accessing the equipment.
- Persons using the machine must be experienced or fully trained in welding / cutting they have to read the user manual before operation and follow the safety instructions.

Explanation Of Safety Symbols



ATTENTION

Indicates a potentially hazardous situation that could cause injury or damage. In case if no precaution is taken, it may cause injuries or material losses / damages.



IMPORTANT

Specifies notifications and alerts on how to operate the machine.



DANGER

Indicates a serious danger. In case if not avoided, severe or fatal injuries may occur.

Comprehending Safety Precautions



- Read the user manual, the label on the machine and the safety instructions carefully.
- Make sure that the warning labels on the machine are in good condition. Replace missing and damaged labels.
- Learn how to operate the machine, how to make the checks in a correct manner.
- Use your machine in suitable working environments.
- Improper changes made in your machine will negatively affect the safe operation and its longevity.
- The manufacturer is not responsible for the consequences resulting from the operation of the device beyond the specified conditions.

Electric Shocks May Kill



Make certain that the installation procedures comply with national electrical standards and other relevant regulations, and ensure that the machine is installed by authorized persons.

- Wear dry and sturdy insulated gloves and working apron. Never use wet or damaged gloves and working aprons.
- Wear flame-resistant protective clothing against the risk of burning. The clothing used by the operator must be protective against sparks, splashing and arc radiation.
- Do not work alone. In case of a danger make sure you have someone for help in your working environment.
- Do not touch the electrode with the bare hand. Do not allow the electrode holder or electrode to come in contact with any other person or any grounded object.
- Never touch parts that carry electricity.
- Never touch the electrode if you are in contact with the electrode attached to the work surface, floor or another machine.
- By isolating yourself from the work surface and the floor, you can protect yourself from possible electric shocks. Use a non-flammable, electrically insulating, dry and undamaged insulation material that is large enough to cut off the operator's contact with the work surface.
- Do not connect more than one electrode to the electrode holder.
- Clamp work cable with good metal-to-metal contact to workpiece or worktable as near the weld as practical.
- Check the torch before operating the machine. Make sure the torch and its cables are in good condition. Always replace a damaged, worn torch.
- Do not touch electrode holders connected to two machines at the same time since double open-circuit voltage will be present.
- Keep the machine turned off and disconnect cables when not in use.
- Before repairing the machine, remove all power connections and / or connector plugs or turn off the machine.
- Be careful when using a long mains cable.

- Make sure all connections are tight, clean, and dry.
 - Keep cables dry, free of oil and grease, and protected from hot metal and sparks.
 - Bare wiring can kill. Check all cables frequently for possible damage. If a damaged or an uninsulated cable is detected, repair or replace it immediately.
 - Insulate work clamp when not connected to workpiece to prevent contact with any metal object.
 - Make sure that the grounding of the power line is properly connected.
 - Do not use AC weld output in damp, wet, or confined spaces, or if there is a danger of falling.
 - Use AC output **ONLY** if required for the welding process.
 - If AC output is required, use remote output control if present on unit.
- Additional safety precautions are required when any of the following electrically hazardous conditions are present :**
- in damp locations or while wearing wet clothing,
 - on metal structures such as floors, gratings, or scaffolds,
 - when in cramped positions such as sitting, kneeling, or lying,
 - when there is a high risk of unavoidable or accidental contact with the workpiece or ground.
- For these conditions, use the following equipment in order presented:
- Semiautomatic DC constant voltage (CV) MIG welding machine,
 - DC manual MMA welding machine,
 - DC or AC welding machine with reduced open-circuit voltage (VRD), if available.

Procedures for Electric Shock



- Turn off the electric power.
- Use non-conducting material, such as dry wood, to free the victim from contact with live parts or wires.
- Call for emergency services.

If you have first aid training;

- If the victim is not breathing, Administer cardiopulmonary resuscitation (CPR) immediately after breaking contact with the electrical source. Continue CPR (cardiac massage) until breathing starts or until help arrives.
- Where an automatic electronic defibrillator (AED) is available, use according to instructions.
- Treat an electrical burn as a thermal burn by applying sterile, cold (iced) compresses. Prevent contamination, and cover with a clean, dry dressing.

Moving Parts May Cause Injuries



- Keep away from the moving parts.
- Keep all protective devices such as covers, panels, flaps, etc., of machinery and equipment closed and in locked position.
- Wear metal toe shoes against the possibility of heavy objects falling on to your feet.

Fumes and Gases May Be Harmful To Your Health



Long-term inhalation of fumes and gases released from welding / cutting is very dangerous.

- Burning sensations and irritations in the eyes, nose and throat are signs of inadequate ventilation. In such a case, immediately boost the ventilation of the work area, and if the problem persists, stop the welding / cutting process completely.
- Create a natural or artificial ventilation system in the work area.
- Use a suitable fume extraction system where welding / cutting works are being carried out. If necessary, install a system that can expel fumes and gases accumulated in the entire workshop. Use a suitable filtration system to avoid polluting the environment during discharge.
- If you are working in narrow and confined spaces or if you are welding lead, beryllium, cadmium, zinc, coated or painted materials, use masks that provide fresh air in addition to the above precautions.
- If the gas tanks are grouped in a separate zone, ensure that they are well ventilated, keep the main valves closed when gas cylinders are not in use, pay attention to possible gas leaks.
- Shielding gases such as argon are denser than air and can be inhaled instead of air if used in confined spaces. This is dangerous for your health as well.
- Do not perform welding / cutting operations in the presence of chlorinated hydrocarbon vapors released during lubrication or painting operations.
- Some welded / cut parts require special ventilation. The safety rules of products that require special ventilation should be read carefully. A suitable gas mask should be worn when necessary.

Arc Light May Damage Your Eyes and Skin



- Use a standard protective mask and a suitable glass filter to protect your eyes and face.
- Protect other naked parts of your body (arms, neck, ears, etc.) with suitable protective clothing from these rays.
- Enclose your work area with flame-resistant folding screens and hang warning signs at eye level so that people around you will not sustain injuries from arc rays and hot metals.
- This machine is not used for heating of icebound pipes. This operation performed with the welding / cutting machine causes explosion, fire or damage to your installation.

Sparks and Spattering Particles May Get Into Eyes and Cause Damage



- Performing works such as welding / cutting, surface grinding, and brushing cause sparks and metal particles to splatter. Wear approved protective work goggles which have edge guards under the welding masks to prevent sustaining possible injuries.

Hot Parts May Cause Severe Burns



- Do not touch the hot parts with bare hands.
- Wait until the time required for the machine to cool down before working on its parts.
- If you need to hold hot parts, use suitable tools, welding / cutting gloves with high-level thermal insulation and fire-resistant clothes.

Noise May Cause Damage To Your Hearing Ability



- The noise generated by some equipment and operations may damage your hearing ability.
- Wear approved personal ear protective equipment if the noise level is high.

Welding Wires Can Cause Injuries



- Do not point the torch towards any part of the body, other persons, or any metal while unwrapping the welding / cutting wire.
- When welding wire is run manually from the roller especially in thin diameters the wire can slip out of your hand, like a spring or can cause damage to you or other people around, therefore you must protect your eyes and face while working on this.

Welding Operations May Cause Fire and Explosion



- Never perform welding / cutting work in places near flammable materials. There may be fire or explosions.
- Before starting the welding / cutting work, remove these materials from the environment or cover them with protective covers to prevent combustions and flaring.
- National and international special rules apply in these areas.
- Do not apply welding / cutting operations into completely closed tanks or pipes.
- Before welding to tanks and closed containers, open them, completely empty them, and clean them. Pay the greatest attention possible to the welding / cutting operations you will perform in such places.
- Do not weld in tanks and pipes which might have previously contained substances that may cause explosions, fires or other reactions.
- Welding / cutting equipment heats up. For this reason, do not place it on surfaces that could easily burn or be damaged !
- Sparks and splashing parts may cause a fire. For this reason, keep materials such as fire extinguishers tubes, water, and sand in easily accessible places.
- Use holding valves, gas regulators and valves on flammable, explosive and compressed gas circuits. Make sure that they are periodically inspected and pay attention that they run reliably.

Maintenance Work Performed by Unauthorized Persons To Machines and Apparatus May Cause Injuries



- Electrical equipment should not be repaired by unauthorized persons. Errors occurred if failed to do so may result in serious injury or death when using the equipment.
- The gas circuit elements operate under pressure; explosions may occur as a result of services provided by unauthorized persons, users may sustain serious injuries.
- It is recommended to perform technical maintenance of the machine and its auxiliary units at least once a year.

**Welding / Cutting in
Small Sized and
Confined Spaces**

- In small-sized and confined spaces, absolutely make sure to perform welding / cutting operations, accompanied by another person.
- Avoid performing welding / cutting operations in such enclosed areas as much as possible.


**Failure To Take
Precautions During
Transport May Cause
Accidents**


- Take all necessary precautions when moving the machine. The areas where the machine to be transported, parts to be used in transportation and the physical conditions and health of the person carrying out the transportation works should be suitable for the transportation process.
- Some machines are extremely heavy; therefore, make sure that the necessary environmental safety measures are taken when changing their places.
- If the machine is to be used on a platform, it must be checked that this platform has suitable load bearing limits.
- If it is to be transported by means of a haulage vehicle (transport trolley, forklift etc.), make sure of the durability of the vehicle, and the connection points (carrying suspenders, straps, bolts, nuts, wheels, etc.) that connect the machine to this vehicle.
- If the machine will be carried manually, make sure the durability of the machine apparatuses (carrying suspenders, straps, etc.) and connections.
- Observe the International Labor Organization's rules on carriage weights and the transport regulations in force in your country in order to ensure the necessary transport conditions.
- Always use handles or carrying rings when relocating the power-supply sources. Never pull from torches, cables or hoses. Be absolutely sure to carry gas cylinders separately.
- Remove all interconnections before transporting the welding / cutting equipment, each being separately, lift and transport small ones using its handles, and the big ones from its handling rings or by using appropriate haulage equipment, such as forklifts.

**Falling Parts May
Cause Injuries**


Improper positioning of the power-supply sources or other equipment can cause serious injury to persons and physical damage to other objects.

- Place your machine on the floor and platforms with a maximum tilt of 10° so that it does not fall or tip over. Choose places that do not interfere with the flow of materials, where there is no risk of tripping over on cables and hoses; yet, large, easily ventilatable, dust-free areas. To prevent gas cylinders from tipping over, on machines with a gas platform suitable for the tanks, fix the tanks on to the platform; in stationary usage applications, fix them to the wall with a chain in a way that they would not tip over for sure.
- Allow operators to easily access settings and connections on the machine.

**Excessive Use Of The
Machine Causes
Overheating**


- Allow the machine to cool down according to operation cycle rates.
- Reduce the current or operation cycle rate before starting the welding / cutting again.
- Do not block the fronts of air vents of the machines.
- Do not put filters that do not have manufacturer approvals into the machine's ventilation ports.

**Excessive Use Of The
Machine Causes
Overheating**


- This device is in group 2, class A in EMC tests according to TS EN 55011 standard.
- This class A device is not intended for use in residential areas where electrical power is supplied from a low-voltage power supply. There may be potential difficulties in providing electromagnetic compatibility due to radio frequency interference transmitted and emitted in such places.



This device is not compliant with IEC 61000 -3-12. In case if it is desired to be connected to the low voltage network used in the home, the installer to make the electrical connection or the person who will use the machine must be aware that the machine has been connected in such a manner; in this case the responsibility belongs to the user.

- Make sure that the work area complies with electromagnetic compatibility (EMC). Electromagnetic interferences during welding / cutting operations may cause undesired effects on your electronic devices and network; and the effects of these interferences that may occur during these operations are under the responsibility of the user.
- If there is any interference, to ensure compliance; extra measures may be taken, such as the use of short cables, use of shielded (armored) cables, transportation of the welding machine to another location, removal of cables from the affected device and / or area, use of filters or taking the work area under protection in terms of EMC.
- To avoid possible EMC damage, make sure to perform your welding / cutting operations as far away from your sensitive electronic devices as possible (100 m).

- Ensure that your welding and/or cutting machine has been installed and situated in its place according to the user manual.

Evaluation Of Electromagnetic Suitability Of The Work Area



According to article 5.2 of IEC 60974-9;

Before installing the welding / cutting equipment, the person in charge of the operation and / or the user must conduct an inspection of possible electromagnetic interference in the environment.

Aspects indicated below has to be taken into consideration;

- Other supply cables, control cables, signal and telephone cables, above and below the welding / cutting machine and its equipment,
- Radio and television transmitters and receivers,
- Computer and other control hardware,
- Critical safety equipment, e.g. protection of industrial equipment,
- Medical apparatus for people in the vicinity, e.g. pacemakers and hearing aids,
- Equipment used for measuring or calibration,
- Immunity of other equipment in the environment. The user must ensure that the other equipment in use in the environment is compatible. This may require additional protection measures.
- Considering the time during which the welding / cutting operations or other activities take place during the day, the boundaries of the investigation area can be expanded according to the size of the building, the structure of the building and other activities that are being performed in the building.

In addition to the evaluation of the field, evaluation of device installations may also be necessary for solving the interfering effect. In case if deemed necessary, on-site measurements can also be used to confirm the efficiency of mitigation measures.

(Source: IEC 60974-9).

Electromagnetic Interference Reduction Methods



- The appliance must be connected to the electricity supply in the recommended manner by a competent person. If interference occurs, additional measures may be applied, such as filtering the network. The supply of the fixed-mounted arc welding equipment must be made in a metal tube or with an equivalent shielded cable. The housing of the power supply must be connected and a good electrical contact between these two structures has to be provided.
- The recommended routine maintenance of the appliance must be carried out. All covers on the body of the machine must be closed and / or locked when the device is in use. Any changes, other than the standard settings without the written approval of the manufacturer, cannot be modified on the appliance. Otherwise, the user is responsible for any consequences that may possibly occur.
- Welding / cutting cables should be kept as short as possible. They must move along the floor of the work area, in a side by side manner. Welding / cutting cables should not be wound in any way.
- A magnetic field is generated on the machine during welding / cutting. This may cause the machine to pull metal parts on to itself. To avoid this attraction, make sure that the metal materials are at a safe distance or fixed. The operator must be insulated from all these interconnected metal materials.
- In cases where the workpiece cannot be connected to the ground due to electrical safety, or because of its size and position (for example, in building marine vessel bodies or in steel construction manufacturing), a connection between the workpiece and the grounding may reduce emissions in some cases, it should be kept in mind that grounding of the workpiece may cause users to sustain injuries or other electrical equipment in the environment to break down. In cases where necessary, the workpiece and the grounding connection can be made as a direct connection, but in some countries where direct connection is not permissible, the connection can be established using appropriate capacity elements in accordance with local regulations and ordinances.
- Screening and shielding of other devices and cables in the work area can prevent aliasing effects. Screening of the entire welding / cutting area can be evaluated for some specific applications.

Electromagnetic Field (EMF)



The electrical current passing through any conductor generates zonal electric and magnetic fields (EMF).

All operators must follow the following procedures to minimize the risk of exposure to EMF;

- In the name of reducing the magnetic field, the welding / cutting cables must be assembled and secured as far as possible with the joining materials (tape, cable ties etc.).
- The operator's body and head should be kept as far away from the welding / cutting machine and cables as possible,

The electrical current passing through any conductor generates zonal electric and magnetic fields (EMF).

All operators must follow the following procedures to minimize the risk of exposure to EMF;

- In the name of reducing the magnetic field, the welding / cutting cables must be assembled and secured as far as possible with the joining materials (tape, cable ties etc.).
- The operator's body and head should be kept as far away from the welding / cutting machine and cables as possible,
- Welding / cutting and electric cables should not be wrapped around the body of the machine in any way,
- The body of the machine should not get caught between the welding / cutting cables. The source cables must be kept away from the body of the machine, both being placed side by side,
- The return cable must be connected to the workpiece as close as possible to the work area,
- The welding / cutting machine should not rest against the power unit, ensconce on it and not work too close to it,
- Welding / cutting work should not be performed when carrying the wire supply unit or power unit.

EMF may also disrupt the operation of medical implants (materials placed inside the body), such as pacemakers. Protective measures should be taken for people who carry medical implants. For example, access limitation may be imposed for passers-by, or individual risk assessments may be conducted for welders. Risk assessment should be conducted and recommendations should be made by a medical professional for users who carry medical implants.

Protection



- Do not expose the machine to rain, prevent the machine from splashing water or pressurized steam.

Energy Efficiency



- Choose the welding / cutting method and welding machine for the welding work you are to perform.
- Select the welding / cutting current and/or voltage to match the material and thickness you are going to weld.
- If you have to wait for a long time before you start your welding / cutting work, turn off the machine after the fan has cooled it down. Our machines with smart fan control will turn off on their own.

Waste Procedure



- This device is not domestic waste. It must be directed to recycling within the framework of the European Union directive and national laws.
- Obtain information from your dealer and authorized persons about the waste management of your used machines.

TECHNICAL INFORMATION

1.1 General Information

monoMIG 200ik is a single-phase, voltage-controlled, compact MIG / MAG welding machine designed specifically for use in repairing dense thin metals. When using suitable welding wire and shielding gas, any type of metal can be welded with this machine. Welding of unalloyed steels can be performed with low spatter and stable arc even under CO₂. Wire feed unit has one reel. The machine is cooled by fans and it is thermally protected against overheating.

1.2 Machine Components

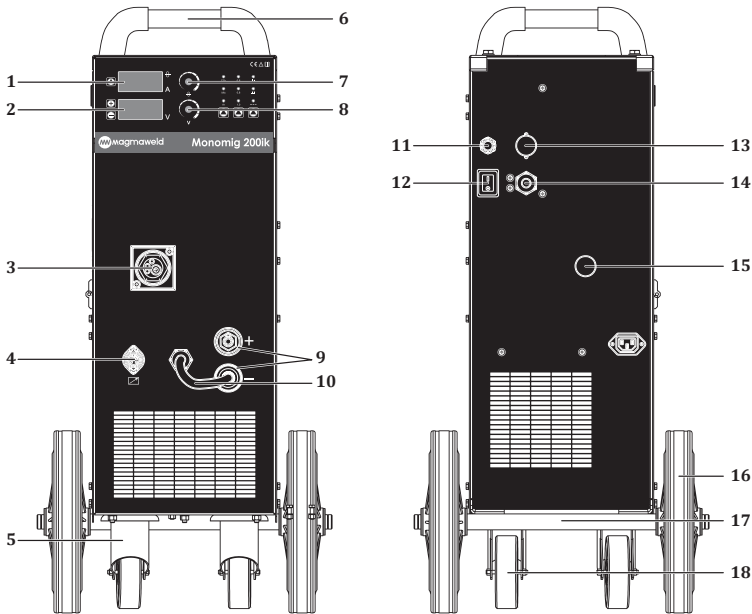


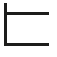

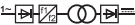






Figure 1 : monoMIG 200ik

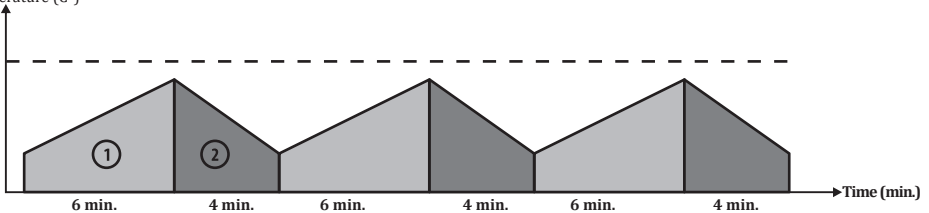
- | | |
|---|-------------------------------------|
| 1- Wire Speed Welding Current Indicator | 10- Welding Polarity Cable |
| 2- Set / Source Voltage Indicator | 11- Gas Inlet |
| 3- Torch Cable Connection | 12- On / Off Switch |
| 4- Spool Gun Connection | 13- Remote Control Input |
| 5- Rotating Wheel with Brake | 14- Mains Cable |
| 6- Handle | 15- Canister Wire Entry |
| 7- Wire Speed Adjustment Pot | 16- Fixed Wheel |
| 8- Voltage Adjustment Pot | 17- Gas Cylinder Transport Platform |
| 9- Polarity Connections | 18- Swivel Wheel |

1.3 Product Label

MAGMA MEKATRONİK MAKİNE SAN. VE TİC. A.Ş. Organize Sanayi Bölgesi 5.Kısım Manisa-TÜRKİYE					
MONOMIG 200ik		Seri No :			
		EN 60974-1 / EN 60974-10 / Class A			
	U ₀ = 52V	30A / 15.5V - 200 / 24V			
		X	16%	60%	100%
		I ₂	200A	103A	80A
		U ₂	24V	19.2V	18V
		I ₁	37.4A	16.6A	12.5A
	U ₁ = 230V	I _{max} = 37.4A		I _{eff} = 15A	
		I ₁ = 37.4A		I ₂ = 16.6A	
		IP21S		CE	

	Single Phase Transformer Rectifier
	Horizontal Characteristic
	MIG/MAG Welding
	Mains Input 1-Phase Alternating Current
	Suitable for Operation at Hazardous Environments
X	Duty Cycle
U ₀	Open Circuit Voltage
U ₁	Mains Voltage and Frequency
U ₂	Rated Welding Voltage
I ₁	Rated Mains Current
I ₂	Rated Welding Current
S ₁	Rated Power
IP21S	Protection Class

Duty Cycle
Temperature (C°)



As defined in the standard EN 60974-1, the duty cycle rate includes a time period of 10 minutes. For example, if a machine specified as 250A at %60 is to be operated at 250A, the machine can weld / cut without interruption in the first 6 minutes of the 10 minutes period (zone 1). However, the following 4 minutes should be kept idle for the machine cool down (zone 2).

1.4 Technical Data

TECHNICAL DATA	UNIT	monoMIG 200ik
Mains Voltage (1-phase 50-60 Hz)	V	230
Rated Power	kVA	8.6
Welding Current Range	ADC	30 - 200
Rated Welding Current	ADC	200 (%16)
Open Circuit Voltage	VDC	52
Dimensions (l x w x h)	mm	888 x 455 x 870
Weight	kg	48
Protection Class		IP 21S

1.5 Accessories

STANDARD ACCESSORIES	QTY	monoMIG 200ik
Workpiece Clamp and Cable	1	7905212503 (25 mm ² - 3 m)
Gas Hose	1	7907000002
OPTIONAL ACCESSORIES	QTY	monoMIG 200ik
Lava MIG 25 (3 m) Air Cooled MIG Torch	1	7120020003
Gas Regulator (CO ₂)	1	7020001005
Gas Regulator (Mix)	1	7020001004
CO ₂ Heater (24V)	1	7020009003
Spool Gun	1	7121018006
MIG / MAG CO ₂ Accessory Set*	1	7920000521
MIG/MAG Mix/Argon Accessory Set*	1	7920000525

* Should be verified during ordering.



INSTALLATION

2.1 Delivery Control

Make sure that all the materials you have ordered have been received. If any material is missing or damaged, contact your place of purchase immediately.

The standard box includes the following;

- Welding machine and connected mains cable
- Workpiece clamp and cable
- Gas hose
- Warranty certificate
- User manual
- Welding wire

In case of a damaged delivery, record a report, take a picture of the damage and report to the transport company together with a photocopy of the delivery note. If the problem persists, contact the customer service.

Symbols and their meanings on the device



Welding may be dangerous. Proper working conditions should be ensured and necessary precautions should be taken. Specialists are responsible for the machine and have to be equipped with the necessary equipment and those who are not relevant should be kept away from the welding area.



This device is not compatible with IEC 61000-3-12. If it is desired to connect to the low voltage mains used in homes, it is essential that the installer or the person who will operate the machine to make the electrical connection has information on the machine's connectivity. In this case the responsibility will be assumed by the person who will perform the installation or by the operator.



The safety symbols and warning notes on the device and in the operating instructions must be observed and the labels must not be removed.



Grids are intended for ventilation. The openings should not be covered in order to provide good cooling and no foreign objects should be inserted.

2.2 Installation and Operation Recommendations

- Lifting rings or forklifts should be used to move the machine. Do not lift the machine with the gas cylinder. Place the power supply on a hard, level, smooth surface where it will not fall or tip over.
- For a better performance, place the machine at least 30 cm away from the surrounding objects. Pay attention to overheating, dust and moisture near the machine. Do not operate the machine under direct sunlight. If the ambient temperature exceeds 40°C, operate the machine at a lower current or a lower operating cycle.
- Avoid welding outdoors in windy and rainy weather circumstances. If welding is necessary in such cases, protect the welding area and the welding machine with a curtain and canopy.
- When positioning the machine, make sure that materials such as walls, curtains, boards do not prevent easy access to the machine's controls and connections.
- If you weld indoors, use a suitable fume extraction system. Use breathing apparatus if there is a risk of inhaling welding fumes and gas in confined spaces.
- Observe the operating cycle rates specified on the product label. Suspending operating cycle rates can damage the machine and this may invalidate the warranty.
- The supply cable must comply with the specified fuse value.
- Tighten the ground wire as close as possible to the workpiece. Do not allow the welding current to pass through equipment other than the welding cables such as the machine itself, gas cylinder, chain and roller bearing.
- When the gas cylinder is placed on the machine, secure the gas cylinder by connecting the chain immediately. If you will not place the gas cylinder on the machine, secure the gas cylinder to the wall with a chain.
- The electrical outlet on the back of the machine is for the CO₂ heater. Never connect a device to the CO₂ outlet other than the CO₂ heater !

2.3 Welding Connections

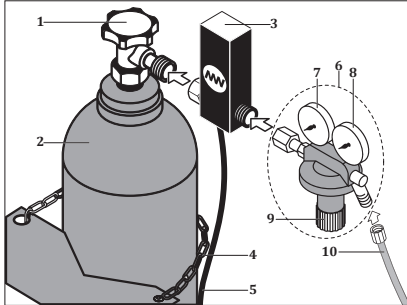
EN

2.3.1 Connecting Grounding Clamp to Workpiece

- As standard use you must connect your grounding clamp to negative (-) polarity plug and welding polarity cable to positive (+) plug.
- Some wire types can weld at negative polarities. In that case please connect your grounding clamp to positive (+) plug and welding cable to negative (-) pole.
- Connect the grounding clamp firmly to the workpiece as close to the area to be welded as possible.

2.3.2 Gas Connections

- If you will use the gas cylinder on the gas cylinder transport platform on the machine, place the gas cylinder here and secure it with a chain.
- If you will not place the gas cylinder on the machine, secure the gas cylinder to the wall with a chain.
- Use safety regulators and heaters according to the standards for work safely to achieve the best results.
- Make sure the size of the hose connection of the gas regulator you are using is 3/8 .
- Open the gas cylinder valve keeping your head and face away from the outlet of the valve and keep it open for 5 seconds. By this means, possible sediment and impurities will be discharged.
- If the CO₂ heater is to be used, first connect the CO₂ heater to the gas cylinder. After connecting the gas regulator to the CO₂ heater, insert the plug of the CO₂ heater into the CO₂ heater outlet on the back of the machine.
- If the CO₂ heater will not be used, connect the gas regulator directly to the gas cylinder.
- Connect one end of the tube hose to the gas regulator and tighten the clamp. Connect the other end to the gas inlet at the back of the machine and tighten the nut.
- Open the gas cylinder valve to check that the tube is full and that there are no leaks in the gas flow path. If you hear a noise and/or detect a smell of gas as a leak indicator, examine your connections and eliminate leakage.



- | | |
|--------------------------|---|
| 1- Chain | 6- Gas Hose |
| 2- Gas Regulator | 7- Flow meter |
| 3- Gas Cylinder | 8- Manometer |
| 4- Gas Cylinder Valve | 9- CO ₂ Heater |
| 5- Flow Adjustment Valve | 10- CO ₂ Heater Energy Cable |

Figure 2 : Gas Cylinder - Heater - Regulator Connections

2.3.3 Torch Connection and Consumable Changes

- Connector designed as Euro connect type. All euro connect model standart and spoolgun torches are compatible with your machine. Some wires can weld at negative polarity. For reversing polarities on your machine, please plug your pole connection to the negative (-) plug and grounding clamp to positive (+) plug.
- Insert the torch into the torch connector and screw its nut tightly.

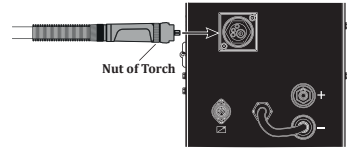


Figure 3 : Connecting the Torch

Spoolgun Connection (Connector)

SPOOL GUN MOTOR	LP-16-C07PE-02-001 - 7
SPOOL GUN TRIGGER 1	LP-16-C07PE-02-001 - 1
SPOOL GUN MOTOR +	LP-16-C07PE-02-001 - 6
SPOOL GUN TRIGGER 2	LP-16-C07PE-02-001 - 2
LP-16-C07PE-02-001 - 3	LP-16-C07PE-02-001 - 4
LP-16-C07PE-02-001 - 4	LP-16-C07PE-02-001 - 3

- Check if the liner and the contact tip is matching with the diameter of the welding wire. If it is needed, change the liner and the contact tip.
- To change the liner; remove the nozzle, the contact tip and the adaptor respectively.

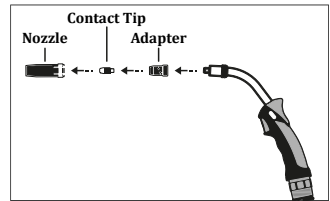


Figure 4 : Removing the Nozzle, the Contact Tip and the Adapter

- Unscrew the liner's nut which is on torch connector side and remove the liner existing in torch. After inserting the new lider into the torch, screw its nut tightly.

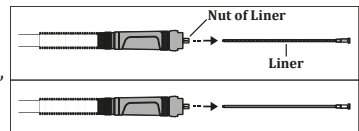


Figure 5 : Removing the Liner and Installing the New Liner

- Cut off the stick out of the liner with a side cutter. Be sure that head of the liner is smooth.
- Reassemble the adaptor, the contact tip and the nozzle respectively with help of an appropriate hand tool.

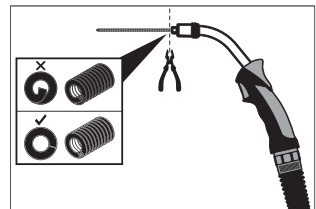
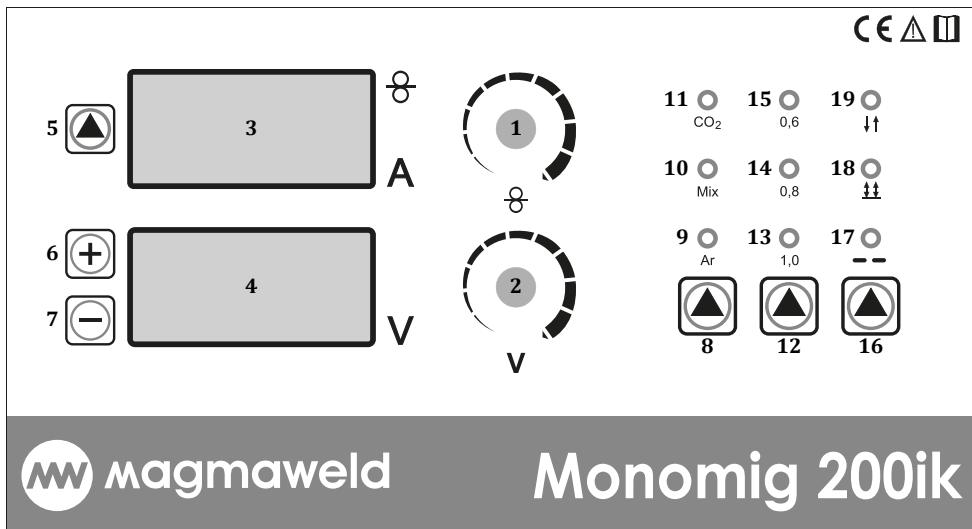


Figure 6 : Cutting off the Liner Stick Out and Reassembling the Torch

OPERATION

3.1 User Interface



 magmaweld

Monomig 200ik

1-2	Adjustment Pots Used to set the wire speed and voltage values for the desired welding.
3-4	Digital Panel Shows the numerical value of the selected welding parameter, current and voltage value during welding, idle wire speed and idle set voltage.
5	Sub Menu To set the welding parameter times, Pre 0.0/10.0 s Pre-Gas Duration Pos 0.0/10.0 s Final Gas Duration Tof 0.2/20.0 s Spot Welding Passive Duration Brn 0.0/100 ms Burnback Duration Ton 0.2/20.0 s Spot Welding Active Duration Crt On/Off Used to put the crater in active or passive position.
6-7	Sub Menu Adjustment Buttons Used to increase and decrease the duration in the selected menu.
8	Gas Mode Selection Button Selects the gas to be used in the welding operation. When Ar gas is selected led 9, when Mixed gas is selected led 10, when CO ₂ gas is selected led 11 lights.
12	Wire Thickness Selection Button For the wire with 1.0 thickness led 13, for the wire with 0.8 thickness led 14, for the wire with 0.6 thickness led 15 lights.
16	Trigger Mode Selection Button Used to select one of the modes: position 2, position 4 or spot welding. When position 2 is selected led 19, when position 4 is selected led 18, when spot welding is selected led 17 lights.

3.2 Menu Structure

Functions that are either on or off according to the modes are as shown in the table below.

Parameter	Value Range	Factory Setting	Position 2 MIG		Position 4 MIG		Spot Welding MIG	
Pre-Gas Duration	0 - 10 sec.	1 sec.	✓	✓	✓	✓	✓	✓
Current Scale	30 - 200 A	30 - 200 A	✓	✓	✓	✓	✓	✓
Upper Current	200 A	200 A	✓	✓	✓	✓	✓	✓
Lower Current	30 A	30 A	✓	✓	✓	✓	✓	✓
Final Gas Duration	0 - 10 sec.	1 sec.	✓	✓	✓	✓	✓	✓
Burnback Duration	0 - 100	0 - 1 sec.	✓	✓	✓	✓	✓	✓
Spot Welding Active Duration	0.2 - 20 sec.	1 sec.					✓	✓
Spot Welding Passive Duration	0.2 - 20 sec.	1 sec.					✓	✓

3.3 Connecting to Mains



Check the mains voltage before connecting the machine to the mains.

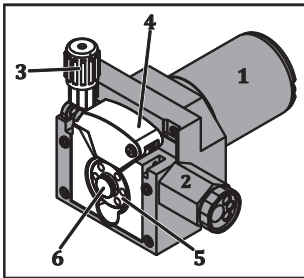


When inserting the plug into the mains socket, ensure that on/off switch is in the "0" position.

- Turn on the machine with the on/off switch.
- After hearing the fan sound and seeing that the mains lamp is on, turn off the machine by turning the on / off switch to the "0" position.

3.4 Selection and Replacement of Wire Reels

- Open the cover of the wire feed section. The wire feeding system with 2 reels can be seen.



- 1- Motor
- 2- Euro Connector
- 3- Thrust Bearing Arm
- 4- Thrust Bearings
- 5- Wire Feed Reels
- 6- T. F. Reels Screws

Figure 7 : Wire Feed System

- Use wire feed reels suitable for the material and diameter of the welding wire to be used. Use wire feed rollers with V groove for steel and stainless steel, serrated V groove for flux cored wire, and U groove for aluminum.
- When replacing the wire feed reels, pull the thrust bearing arm and lift the thrust bearings, then unscrew the wire feed reels screws and remove the reels.



Both sides of the reels are marked according to the wire diameter.
Place the reels on the flange so that the side with wire diameter facing towards you.

- After placing the reels to be used, tighten the screws, lower the thrust bearings, and lift the thrust bearing lever and lock it on the thrust bearings.

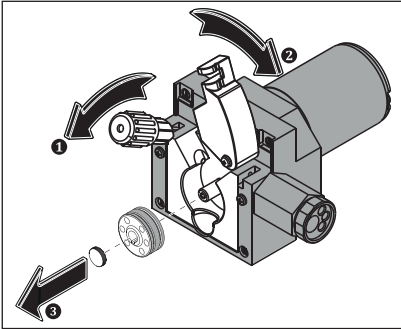


Figure 8 : Removing Wire Feed Reels

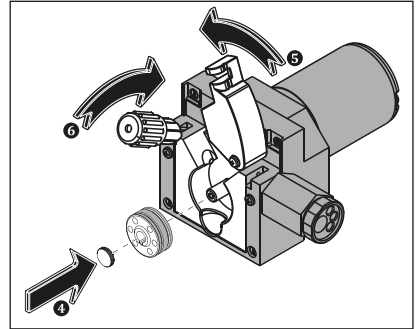
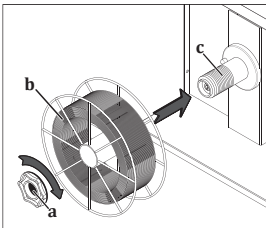


Figure 9 : Placing Wire Feed Reels

3.5 Placing the Wire Spool and Wire Feeding Process

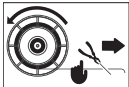
- Unscrew the wire holder system screw. Insert the welding wire reel to the wire transport system shaft and re-screw the screw.



Tightening the wire transport system screw too tightly may prevent the wire from feeding and cause malfunctions. Tightening the screw too loose may cause the wire basket to move freely and wire to get kinked when the wire feed is stopped. Therefore, tighten the screw neither too tight nor too loose.

Figure 10 : Placing Wire Basket

- Pull down on the thrust bearing arm on the wire feed reel, which means setting thrust bearing free.



- Remove the welding wire from the wire basket, hold the wire tightly and cut the end with diagonal pliers.



When the wire slips from your hands, the wire may hurt you or other people in the vicinity.

- Hold the wire tightly and pass it through the wire inlet to the reels and over the rollers into the torch.

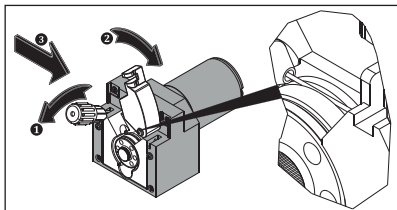
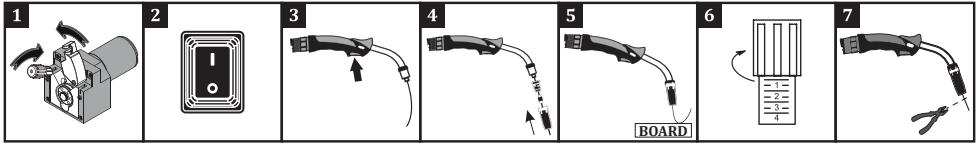


Figure 11 : Feeding Wire to Reel

- Push thrust bearings and lift thrust bearing arm **1**.
- Turn the on/off switch to "1" position to turn on the machine **2**.
- Press the trigger until the wire comes out of the torch tip, meanwhile observe that the welding wire reel turns smoothly press and release the trigger several times to check if the winding is not loose **3**.
- If the wire is loose and/or rewinding is observed, tighten the wire holder system screw slightly.
- When the wire comes out of the torch tip, reattach the nozzle and contact tip to the torch **4**.
- Adjust wire thrust adjustment **5** by sliding the wire onto a board **6** and cut the wire end **7**.



A: Proper wire thrust and channel size

B: The thrust bearing arm is tightened too tightly; the shape of the wire is distorted.

C: The thrust bearing arm is tightened too tightly; the surface of the reel is distorted.

D: The channel length of the reel is too short for the wire used. The shape of the wire is distorted.

E: The channel length of the reel is too long for the wire used. The wire cannot be driven to the welding area.

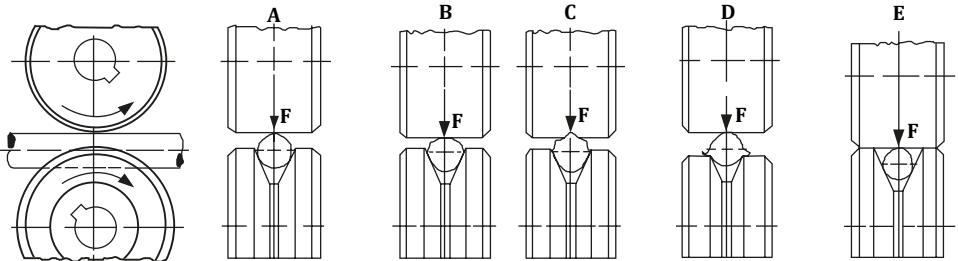


Figure 12 : Thrust Adjustment and Reel Selection Faults

3.6 Setting Gas Flow



Perform the gas adjustment and gas test by lowering the thrust bearing arm of the wire feed reel!

- Adjust the gas flow with the flow control valve.
- Practical gas flow rate (CO₂, Ar, mixture) is 10 times of wire diameter.
For example, if the wire diameter is 1.0 mm, the gas flow rate can be adjusted as 1.0 x 10 = 10 lt./min.
- You can use the table on the side for more precise flow adjustment.
- After adjusting the gas flow, lift the thrust bearing arm and close the wire feed unit door.

	Mild Steel and Metal Cored	Flux Cored	Stainless Steel	Aluminium
Diameter (mm)	0.8 8 lt/min	7 lt/min	8 lt/min	8 lt/min
	1.0 10 lt/min	9 lt/min	10 lt/min	10 lt/min
	1.2 12 lt/min	11 lt/min	12 lt/min	12 lt/min

Note: Recommended values in standard conditions.



MAINTENANCE AND SERVICE

EN

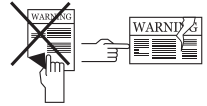
- Maintenance and repairs to the machine must be carried out by a qualified personnel. Our company will not be responsible for any accidents that may occur by unauthorized interventions.
- Parts that will be used during repair can be obtained from our authorized services. The use of original spare parts will extend the life of your machine and prevent performance losses.
- Always contact the manufacturer or an authorized service designated by the manufacturer.
- Never make interventions yourself. In this case the manufacturer warranty is no longer valid.
- Always comply with the applicable safety regulations during maintenance and repair.
- Before performing any work on the machine for repair, disconnect the machine's power plug from the power supply and wait for 10 seconds for the capacitors to discharge.

4.1 Maintenance



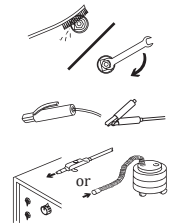
Every 3 Months

- Do not remove the warning labels on the device. Replace the worn/torn labels with the new ones. Labels can be obtained from the authorized service.
- Check your torch, clamps and cables. Pay attention to the connections and the durability of the parts. Replace the damaged/defective parts with the new ones. Do not ever make additions to/repair the cables.
- Ensure adequate space for ventilation.
- Before starting welding, check the gas flow rate from the tip of the torch with a flow meter. If the gas flow is high or low, bring it to the appropriate level for the welding process.



Every 6 Months

- Clean and tighten fasteners such as bolts and nuts.
- Check the lead of the electrode pliers and earth pliers.
- Open the side covers of the machine and clean with low pressure dry air. Do not apply compressed air to electronic components at close range.
- Periodically replace the water in the tank of the water cooling unit with fresh, hard water and protect it against freezing with antifreeze.



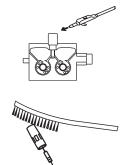
NOTE: The above mentioned periods are the maximum ones that should be applied if no problems are encountered in your device. Depending on the work load and contamination of your work environment, you can repeat the above processes more frequently.



Never operate the machine when covers are open.

4.2 Non-Periodic Maintenance

- The Wire Feeding Mechanism must be kept clean and the roller surfaces must not be lubricated.
- Always remove any deposits on the mechanism with dry air each time you replace a welding wire.
- The consumables on the torch should be cleaned regularly. It should be replaced if necessary. Make sure that these materials are original products for long-term use.



4.3 Troubleshooting

The following tables contain possible errors to be encountered and their solutions.

Failure	Reason	Solution
Machine is not operating	<ul style="list-style-type: none"> The machine is not connected to the mains, or the plug is not connected 	<ul style="list-style-type: none"> Make sure that the machine is plugged in
	<ul style="list-style-type: none"> The mains connections are not correct 	<ul style="list-style-type: none"> Check whether the mains connections are correct
	<ul style="list-style-type: none"> The power supply fuses, mains cable or plug are problematic 	<ul style="list-style-type: none"> Check the power supply fuses, mains cable and plug
	<ul style="list-style-type: none"> The fuse has blown 	<ul style="list-style-type: none"> Check the fuse
	<ul style="list-style-type: none"> Contactor failure 	<ul style="list-style-type: none"> Check the contactor
Wire feed motor failure	<ul style="list-style-type: none"> The fuse has blown 	<ul style="list-style-type: none"> Check the fuse
	<ul style="list-style-type: none"> Electronic card failure 	<ul style="list-style-type: none"> Contact the authorized service
The wire feed motor is operating, but the wire is not moving further	<ul style="list-style-type: none"> Wire feed rollers were not chosen to fit the wire diameter 	<ul style="list-style-type: none"> Select the appropriate wire feed roller
	<ul style="list-style-type: none"> The pressure on the wire feed rollers is too minimal 	<ul style="list-style-type: none"> Adjust the pressure roller
Welding quality is not good	<ul style="list-style-type: none"> There is a problem in the connection of grounding clamps of the machine 	<ul style="list-style-type: none"> Make sure that the grounding clamps of the machine is connected to the workpiece
	<ul style="list-style-type: none"> Cables and connection points are worn out 	<ul style="list-style-type: none"> Make sure that the cables are secure and that the connection points are not worn
	<ul style="list-style-type: none"> Parameter and process selection are not correct 	<ul style="list-style-type: none"> Make sure that the parameter and process selection are correct. Follow the steps below according to the process you have selected
	<ul style="list-style-type: none"> Gas flow is not open or faulty 	<ul style="list-style-type: none"> Check that the gas flow is open, ensuring that the flow is correct
	<ul style="list-style-type: none"> Welding torch is damaged 	<ul style="list-style-type: none"> Make sure the welding torch is secure
	<ul style="list-style-type: none"> Consumables were selected incorrectly or damaged 	<ul style="list-style-type: none"> Appropriate consumables should be selected and the consumables on the torch must be cleaned regularly. Improperly selected or worn consumables should be replaced
	<ul style="list-style-type: none"> The pressure adjustment of the rollers is not correct 	<ul style="list-style-type: none"> Pressure roller settings must be made correctly

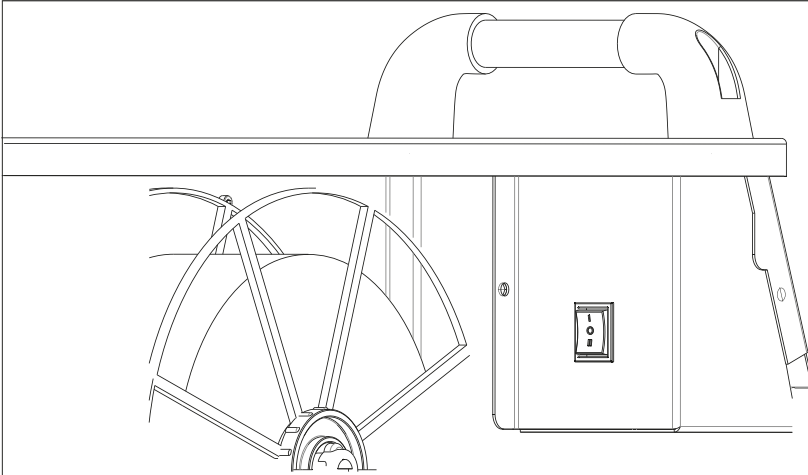
Failure	Reason	Solution
Fan is not operating	• The fuse has blown	• Check the fuse
	• Fan motor failure	• Contact the authorized service
Machine operates noisily	• Contactor failure	• Contact the authorized service
Unstable and / or non-adjustable welding current	• Diode group failure	• Contact the authorized service
Heater outlet is not operating	• The fuse has blown	• Check the fuse. Contact the authorized service

4.4 Error Codes

Error Code	Error
TRR ERR	Thermal Error
ERR OC1	Secunder Overcurrent Error
ERR OC2	Primer Overcurrent Error
ERR OC3	Maximum Wire Feed Error

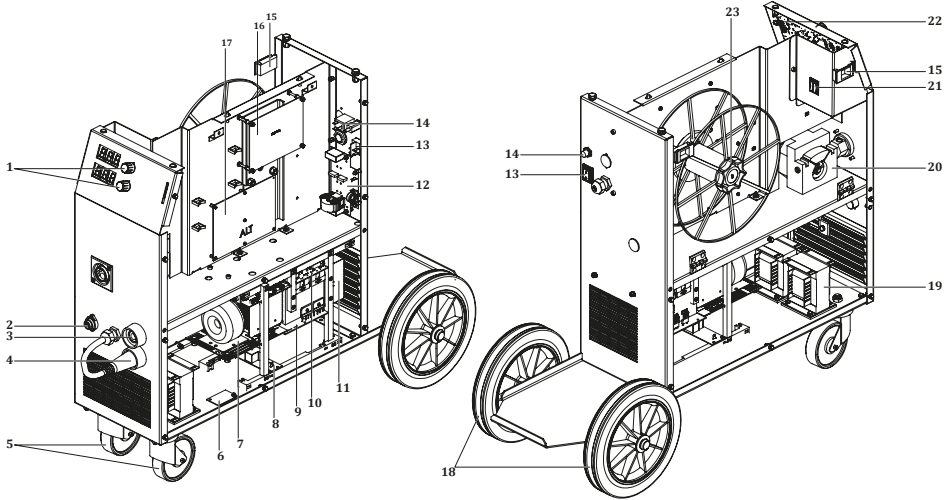
ANNEX**5.1 Fine Settings in the Wire Feed Unit**

- 1- Free Wire Feed Button :** As long as the button is pressed, the wire feed operation is performed, the gas valve won't work. This button can be used to feed the wire to the torch.
- 2- Free Gas Button :** As long as the button is kept pressed, gas flow is provided but wire would not feed. This button can be used to change the gas in the system after the gas change.



5.2 Spare Parts Lists

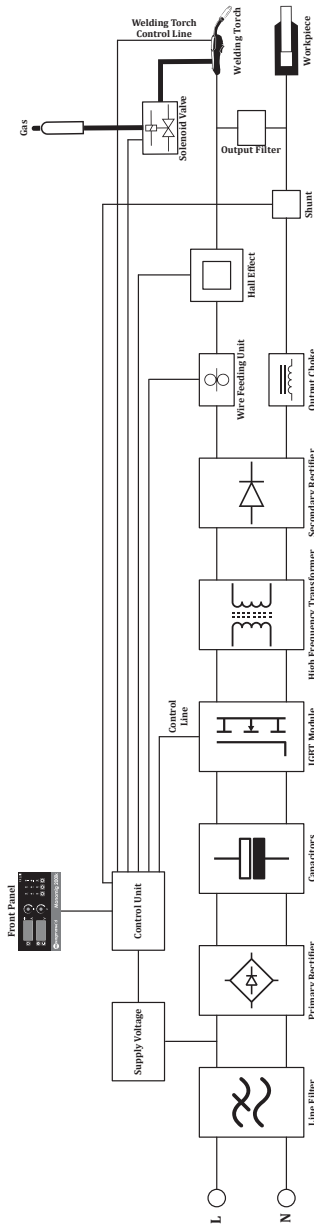
EN



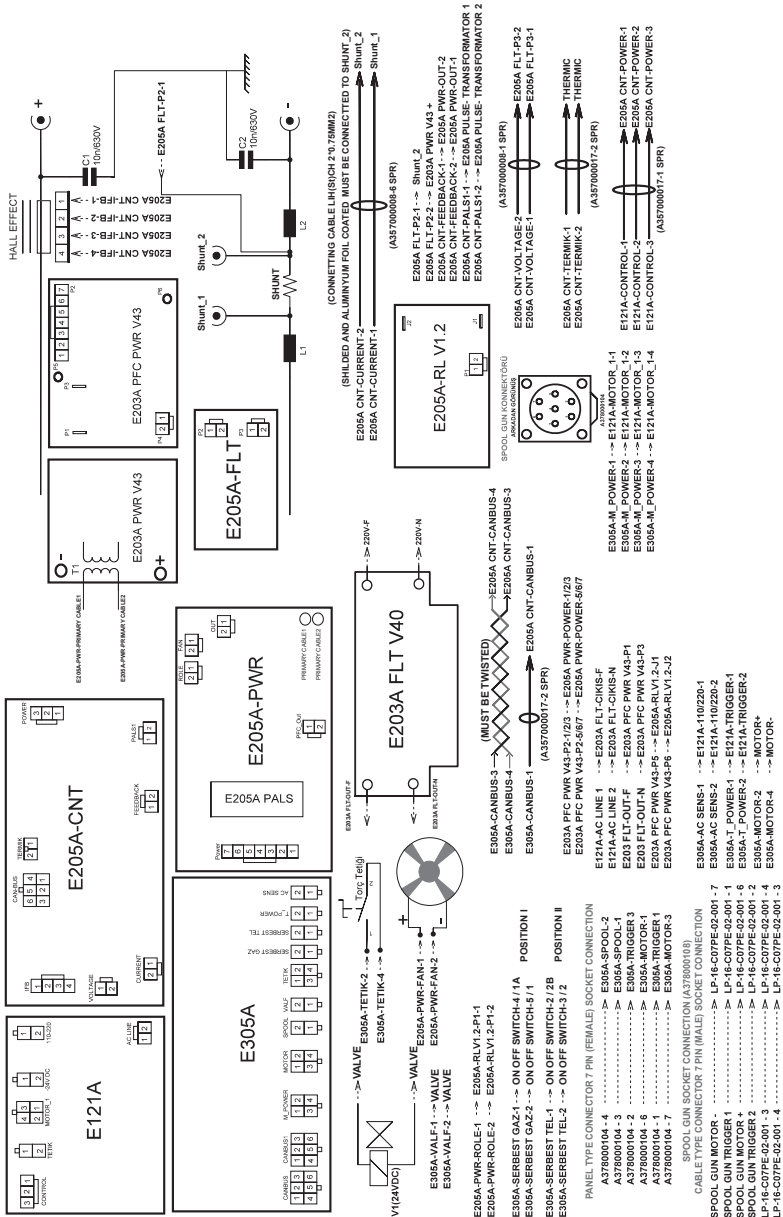
NO	DEFINITION	monoMIG 200ik
1	Potential Button Small	A229500001
2	Connector	A378000007
3	Welding Socket	A377900106
4	Welding Plug	A377900006
5	Sheet Swivel Caster (With Hole)	A225100013
6	Electronic Card-E205 FLT V1.0	K405000166
7	Electronic Card-E203A PWR V43	K405000215
8	Electronic Card-E205A-RL V1.2	K405000212
9	Electronic Card-E203A AC PWR V43	K405000226
10	Electronic Card-E205A PWR V31	K405000241
11	Fan Monophase	A250001024
12	Electronic Card-E203A FLT V40 200IK	K405000242
13	On / Off Switch	A310100008
14	Gas Valve	A253006019
15	Cover Lock	A229300006
16	Electronic Card-E121A V11 AC	K405000164
17	Electronic Card-E205A CNT V31	K405000165
18	Plastic Wheel 250x50x20	A225222010
19	Shock Coil	K304500113
20	Wire Feed System	K309002204
21	On / Off Switch	A310100010
22	Electronic Card-E305A V21	K405000169
23	Wire Carr. Mac. System 3-Way Connection	A229900003
	Membrane Label	K109900031
	Hall Effect Sensor	A834000001
	Shunt	A833000002

5.3 Connection Diagrams

Block Diagram



Circuit Diagram



 **СОДЕРЖАНИЕ**

	ПРАВИЛА ТЕХНИКИ БЕЗОПАСНОСТИ	29
1	ТЕХНИЧЕСКАЯ ИНФОРМАЦИЯ	
1.1	Общее описание	36
1.2	Комплектующие сварочного аппарата	36
1.3	Этикетка продукта	37
1.4	Технические характеристики	38
1.5	Вспомогательные устройства и приспособления	38
2	ИНФОРМАЦИЯ ПО УСТАНОВКЕ И НАСТРОЙКЕ	
2.1	Контроль доставки	39
2.2	Рекомендации по установке и эксплуатации	39
2.3	Ресурсные ссылки	40
2.3.1	Подключение заземляющих зажимов к полюсной розетке	40
2.3.2	Подключение газового баллона	40
2.3.3	Подготовка и подключение горелки	40
3	ИНФОРМАЦИЯ ПО ЭКСПЛУАТАЦИИ	
3.1	Интерфейс пользователя	43
3.2	Структура меню	44
3.3	Подключение к сети	44
3.4	Выбор и замена катушки подачи проволоки	44
3.5	Установка проволочной катушки и прокладка проволоки	45
3.6	Регулировка расхода газа	47
4	ТЕХОБСЛУЖИВАНИЕ И УСТРАНЕНИЕ НЕИСПРАВНОСТЕЙ	
4.1	Техобслуживание	48
4.2	Непериодическое обслуживание	48
4.3	Поиск проблемы	49
4.4	Коды неисправностей	50
5	ПРИЛОЖЕНИЯ	
5.1	Список запасных частей	51
5.2	Точные настройки в механизме подачи проволоки	52
5.3	Схемы подключения	53

ПРАВИЛА ТЕХНИКИ БЕЗОПАСНОСТИ

Соблюдайте все правила техники безопасности, указанные в этом руководстве!

Описание сведений по технике безопасности



- Знаки по технике безопасности, указанные в руководстве, используются для определения потенциальных источников опасности.
- При размещении какого-либо знака по технике безопасности в этом руководстве его следует понимать как указание на наличие риска телесных повреждений и во избежание потенциальной опасности внимательно ознакомиться с предоставленными далее пояснениями.
- Владелец оборудования несёт ответственность за предотвращение доступа посторонних лиц к оборудованию.
- Лица, осуществляющие эксплуатацию оборудования, должны иметь опыт или пройти полную подготовку по вопросу выполнения сварочных сварка / резка; перед работой на оборудовании ознакомьтесь с руководством по эксплуатации и соблюдайте инструкции по технике безопасности.

Описание знаков по технике безопасности

ВНИМАНИЕ



Указывает на потенциально опасную ситуацию, которая может привести к травме или повреждению. Несоблюдение этой меры предосторожности может привести к травме или потере/повреждению имущества.



ВАЖНО

Указывает на информацию и предупреждения, касающиеся эксплуатации.



ОПАСНОСТЬ

Указывает на серьёзную опасность. В случае непринятия мер может привести к смерти или серьёзным травмам.

Понимание предупреждений по технике безопасности



- Внимательно прочитайте руководство по эксплуатации, а также ознакомьтесь с маркировкой (ярлыком) и предупреждениями по технике безопасности, размещёнными на оборудовании.
- Убедитесь, что предупреждающая маркировка находится в надлежащем состоянии. Замените отсутствующие и повреждённые ярлыки.
- Ознакомьтесь со способом эксплуатации оборудования и правильными методами управления оборудованием.
- Осуществляйте эксплуатацию вашего оборудования в соответствующей одежде.
- Несответствующие изменения, проводимые на вашем оборудовании, негативно скажутся на безопасной эксплуатации и сроке службы оборудования.
- Производитель не несёт ответственности за какие-либо последствия, возникающие в результате эксплуатации устройства за пределами вышеуказанных условий.

Поражение электротоком может привести к летальному исходу



Убедитесь, что процедуры установки соответствуют национальным электрическим стандартам и иным соответствующим нормам, а также обеспечьте установку оборудования компетентными лицами.

- Пользуйтесь сухими и неповреждёнными изолированными перчатками и рабочим фартуком. Запрещается использовать мокрые или повреждённые перчатки и рабочие фартуки.
- Носите огнестойкую защитную одежду, чтобы избежать ожогов. Одежда, используемая оператором, должна защищать от искр, брызг и излучения дуги.
- Не работайте в одиночку. В случае опасности убедитесь, что у вас есть помощник на рабочем месте.
- Не касайтесь электрода голыми руками. Не допускайте контакта держателя электрода или электрода с другими людьми или заземлёнными предметами.
- Никогда не прикасайтесь к частям, которые разносят электричество.
- Не прикасайтесь к электроду при контакте с электродом, подключённым к рабочей поверхности, полу или другому оборудованию.

- Вы можете защитить себя от возможных поражений электрическим током, изолировав себя от рабочей поверхности и пола. Используйте сухой, неповрежденный, невоспламеняющийся электроизоляционный материал таких размеров, чтобы он был пригодным для предотвращения контакта оператора с рабочей поверхностью.
- Не подключайте более одного электрода к держателю электрода.
- Подсоедините зажим заземления к заготовке или рабочему столу как можно ближе, чтобы обеспечить хороший контакт металла с металлом.
- Проверьте горелку перед работой со сварочным аппаратом. Убедитесь, что горелка и его кабели в хорошем состоянии. Обязательно замените поврежденную изношенную горелку.
- Не касайтесь держателей электродов, подключенных к двум сварочным аппаратам одновременно, так как будет присутствовать двойное напряжение холостого хода.
- Держите аппарат выключенным и отсоедините кабели, когда она не используется.
- Перед ремонтом машины отключите все электрические соединения и / или разъемы или выключите машину.
- Будьте осторожны при использовании длинного сетевого кабеля.
- Убедитесь, что все соединения чистые и сухие.
- Следите за тем, чтобы кабели были сухими, чистыми и обезжиренными, а также защищенными от горячего металла и искр.
- Оголенная проводка может убить. Часто проверяйте все кабели на предмет возможных повреждений. Если обнаружен поврежденный или неизолированный кабель, немедленно отремонтируйте или замените его.
- Если зажим заземления не подключен к заготовке, изолируйте его, чтобы предотвратить контакт с любым металлическим предметом.
- Убедитесь, что заземление линии питания подключено правильно.
- Не используйте источник переменного тока во влажных, сырых или перегруженных местах, а также в местах, где существует опасность падения.
- Используйте источник переменного тока ТОЛЬКО, если это необходимо для процесса сварки.
- Если требуется источник переменного тока, используйте дистанционное управление источником, если оно имеется на устройстве.

Дополнительные меры предосторожности требуются при наличии любого из следующих электрически опасных условий:

- во влажных местах или в мокрой одежде,
- на металлических конструкциях, таких как полы, решетки или строительные леса,
- когда вы находитесь в стесненном положении, например, сидя, на коленях или лежа,
- когда существует высокий риск неизбежного или случайного контакта с заготовкой или землей.

Для этих условий используйте следующее оборудование:

- Полуавтоматический аппарат для сварки MIG постоянного напряжения (CV),
- Ручной сварочный аппарат MMA постоянного тока,
- Сварочный аппарат постоянного или переменного тока с пониженным напряжением холостого хода (VRD), если имеется.

Процедуры при поражении электрическим током



- Отключите электричество.
- Используйте непроводящий материал, например сухую древесину, чтобы освободить пострадавшего от контакта с токоведущими частями или проводами.
- Позвоните в службу экстренной помощи.

Если у вас есть обучение оказанию первой помощи;

- Если пострадавший не дышит, проведите сердечно-легочную реанимацию (СЛР) сразу после разрыва контакта с источником электричества. Продолжайте СЛР (массаж сердца) до тех пор, пока не начнется дыхание или пока не прибудет помощь.
- Если имеется автоматический электронный дефибриллятор (AED), используйте его в соответствии с инструкциями.
- Относитесь к электрическому ожогу как к термическому ожогу, прикладывая стерильные холодные (ледяные) компрессы. Избегайте загрязнения и накройте чистой сухой повязкой.

Движущиеся части могут привести к телесным повреждениям



- Не приближайтесь к движущимся объектам.
- Закрывайте и запирайте все крышки, панели, дверцы и т.п. защитные приспособления оборудования и устройств.
- Носите ботинки с металлическим носком на случай падения тяжелых предметов.

Дым и газы могут нанести вред вашему здоровью



Во время выполнения сварки / резки и резки чрезвычайно опасно вдыхать дым и газ в течение длительного времени.

- Жжение и раздражение глаз, носа и горла указывают на недостаточность вентиляции. В этом случае необходимо незамедлительно улучшить уровень вентиляции и, если проблема не устранена, остановить сварку / резку.
- Предусмотрите на рабочем участке систему естественной или искусственной вентиляции.
- На участках выполнения сварки / резки или резки используйте соответствующую систему удаления дыма. При необходимости установите систему, которая обеспечит вывод дыма и газов, накапливающихся в цехе в целом. Во избежание загрязнения окружающей среды во время выброса газов используйте соответствующую систему фильтрации.
- При проведении работ в ограниченном пространстве или при выполнении сварки / резки материалов с покрытием из свинца, бериллия, кадмия, цинка, а также окрашенных материалов, помимо вышеуказанных мер предосторожности, используйте маски, обеспечивающие подачу свежего воздуха.
- Если газовые баллоны сгруппированы в отдельной зоне убедитесь в наличии хорошей вентиляции в этом помещении; закрывайте главные клапаны по окончании использования газовых баллонов, проверяйте баллоны на предмет утечки газа.
- Защитные газы (аргон и т.п.) плотнее воздуха и при использовании в помещении могут попадать в дыхательные пути вместо воздуха. Это опасно для вашего здоровья.
- Не проводите сварочные работы при наличии паров хлорированных углеводородов, выделяющихся во время смазочных и покрасочных работ.
- Некоторые сварные / вырезанные детали требуют специальной вентиляции. Следует внимательно прочитать правила безопасности продуктов, требующих специальной вентиляции. В случаях, когда требуется противогаз, следует надеть подходящий противогаз.

Излучение сварочной дуги может нанести вред вашим глазам



- Для защиты глаз и лица используйте соответствующую защитную маску и пригодный для маски стеклянный фильтр.
- Защищайте от этого излучения также другие части тела (руки, шею, уши и т.д.) соответствующей защитной одеждой.
- Для предупреждения возникновения у окружающих повреждений от воздействия сварочной дуги и горячих металлов, оградите ваш рабочий участок огнестойкими экранами высотой на уровне глаз и повесьте предупреждающие знаки.
- Оборудование не предназначено для нагревания замёрзших труб. Проведение таких работ сварочным аппаратом может привести к взрыву, пожару или повреждению вашего оборудования.

Искры и разбрызгивающиеся частицы могут нанести повреждения глазам



- При выполнении таких работ, как сварка, шлифовка или зачистка поверхности, могут образоваться искры и происходить разбрызгивание металлических частиц. Для предупреждения телесных повреждений надевайте под маску утверждённые к применению защитные рабочие очки с боковыми щитками.

Горячие детали могут привести к тяжёлым ожогам



- Не прикасайтесь к горячим деталям голыми руками.
- Перед работой с деталями оборудования подождите некоторое время, пока они остынут.
- При необходимости контакта с горячими деталями, используйте соответствующие инструменты, теплоизоляционные сварочные перчатки и огнеупорную одежду.

Повышенный Уровень Шума Может Нанести Вред Слуху



- Шум, выделяемый некоторым оборудованием и работами, может нанести вред слуху.
- При повышенном уровне шума используйте утверждённые к применению защитные наушники.

Сварочная проволока может нанести телесные повреждения



- При разматывании катушки сварочной проволоки не направляйте горелку на какую-либо часть тела, а также на других людей или какие-либо металлические предметы.
- При разматывании вручную катушки сварочной проволоки, особенно, небольшого диаметра, проволока может выскочить из ваших рук, как пружина, и травмировать вас или окружающих, поэтому при выполнении этих работ особое внимание уделите защите глаз и лица.

Сварка может привести к пожарам и взрывам



- Запрещается производить сварку вблизи легковоспламеняющихся материалов. Это может привести к пожару или взрыву.
- Перед проведением сварочных работ удалите эти предметы с участка или накройте их защитными покрытиями для предупреждения возгораний.
- На этих участках применяются специальные национальные и международные правила.

- Не производите сварку и резку полностью закрытых труб или трубок.
- Перед выполнением сварка / резка труб и закрытых емкостей откройте их, полностью опорожните, проветрите и очистите. Соблюдайте максимальную осторожность при выполнении сварка / резка на таких участках.
- Не производите сварку опорожнённых труб и трубок, которые ранее содержали вещества, способные вызвать взрыв, пожар или другие реакции.
- Сварочное оборудование имеет свойство нагреваться. Поэтому не размещайте его на легко воспламеняемых или легко повреждаемых поверхностях!

- Сварочные искры могут привести к возникновению пожара. По этой причине обеспечьте наличие в легко доступных для вас местах таких материалов, как огнетушители, вода и песок.
- Используйте обратные клапаны, газовые регуляторы и клапаны в сетях горючих, взрывоопасных газов и сжатого газа.

Выполнение технического обслуживания оборудования устройств некомпетентными лицами может привести к телесным повреждениям



- Запрещается привлекать некомпетентных лиц к ремонту оборудования. Ошибки, которые могут быть допущены при нарушении этого требования, могут привести к серьёзным травмам или летальному исходу.
- Элементы газовой сети работают под давлением; в результате манипуляций, производимых некомпетентными лицами, могут возникнуть взрывы, и пользователи могут получить серьёзные травмы.
- Рекомендуется производить обслуживание оборудования и его периферийных устройств не реже одного раза в год.

Сварка / Резка на небольших участках и участках с ограниченным пространством



- Выполняйте сварку/резку на небольших участках и участках с ограниченным пространством в присутствии ещё одного человека.
- По мере возможности избегайте проведения сварочных работ/резки в ограниченных пространствах.

Несоблюдение необходимых мер предосторожности при перемещении оборудования может привести к несчастным случаям



- При перемещении оборудования соблюдайте все необходимые меры предосторожности. Участки, на которых будет производиться перемещение, части, подлежащие перемещению, а также физическое состояние и здоровье людей, вовлечённых в процесс перемещении оборудования, должны соответствовать требованиям процедуры перемещения и транспортировки.
- Некоторое оборудование имеет большую массу, поэтому при перемещении убедитесь в принятии всех мер предосторожности по охране окружающей среды.
- Если сварочный аппарат предполагается использовать на платформе, необходимо убедиться в том, что такая платформа имеет соответствующие пределы нагрузки.
- При перемещении оборудования при помощи какого-либо механизма (тележка, вилочный погрузчик и пр.) убедитесь в надлежащем состоянии точек крепления механизма и оборудования (крепление подвесок, ремней для перемещения, болтов, гаек, колёс и т.п.).
- При выполнении перемещения вручную убедитесь в надлежащем состоянии приспособлений оборудования (подвески, ремни для перемещения и т.п.) и их креплений.

- С целью обеспечения необходимых требований для перемещения соблюдайте правила Международной организации труда в отношении веса перемещаемого оборудования, а также нормативы по перемещению оборудования, действующее в вашей стране.
- При перемещении источника питания используйте специальные приспособления (держатели или проушины). Запрещается перемещать оборудование, удерживая его за горелку, кабель или шланги. Перемещение газовых баллонов осуществляйте отдельно от всего оборудования.
- Перед перемещением сварочного и режущего оборудования демонтируйте все промежуточные соединения, осуществляйте поднятие и перемещение небольших частей посредством ручек, а более крупных частей с помощью соответствующих приспособлений (проушины) или вилочных погрузчиков.

Падение частей оборудования может привести к телесным повреждениям



Неправильное расположение источника питания или иного оборудования может привести к серьёзным травмам и повреждению имущества.

- Во избежание падений и опрокидывания вашего оборудование его необходимо разместить на основании (полу) или платформе с максимальным уклоном 10°. Это предупредит воспрепятствование подаче материала и риск застопоривания в кабелях и шлангах; предпочитайте для установки оборудования неподвижные широкие, не запылённые, легко вентилируемые участки. Во избежание опрокидывания газовых баллонов закрепите их, при наличии, на пригодной для баллонов платформе, находящейся на оборудовании, а при стационарном использовании, зафиксируйте баллон надёжным способом, прикрепив его к стене.
- Обеспечьте операторам лёгкий доступ к настройкам и подключениям на оборудовании.

Чрезмерная эксплуатация приводит к перегреву оборудования



- Обеспечьте остывание оборудования в соответствии с рабочим циклом.
- Перед повторным началом сварочных работ уменьшите коэффициент тока или загрузку рабочего цикла.
- Не закрывайте вентиляционные отверстия оборудования.
- Не устанавливайте фильтры в вентиляционные отверстия оборудования без разрешения производителя.

Дуговая сварка может вызвать электромагнитные помехи



- Данное устройство относится к группе 2, класс А в испытаниях электромагнитной совместимости (ЭМС) в соответствии со стандартом TS EN 55011.
- Данное устройства класса А не предназначено для эксплуатации в жилых помещениях с подачей электроэнергии от низковольтной сети. Возможны затруднения в достижении электромагнитной совместимости в связи с радиочастотными помехами, передача и распространение которых имеют место на таких участках.



Это устройство не соответствует стандарту IEC61000-3-12. При необходимости подключения к низковольтной сети, используемой в бытовых условиях, специалист, который будет осуществлять электрическое подключение, или лицо, которое будет эксплуатировать оборудование, должны быть осведомлены в вопросе особенности подключения оборудования, в этом случае пользователь несёт ответственность за проведение таких работ.

- Убедитесь, что рабочая зона соответствует электромагнитной совместимости (ЭМС). Электромагнитные помехи во время сварка / резка или резки могут вызвать нежелательные воздействия на ваши электронные устройства в вашей сети, и пользователь несёт ответственность за какие-либо помехи, которые могут возникнуть во время проведения работ.
- При возникновении каких-либо помех, могут быть приняты дополнительные меры для обеспечения совместимости в виде использования коротких кабелей, экранированных кабелей, перемещения сварочного аппарата в другое место, отдаления кабеля от оборудования и/или участка, попавшего под воздействие использования фильтров или защиты рабочего участка в аспекте ЭМС.
- Во избежание возможных повреждений в связи с нарушением ЭМС выполняйте сварочные работы как можно дальше (100м) от вашего чувствительного электронного оборудования.
- Убедитесь в установке и размещении вашего сварочного аппарата или газового резака в соответствии с руководством по эксплуатации.

**Оценка
электромагнитной
совместимости
рабочего
участка**



Согласно пункту 5.2 стандарта IEC 60974-9,

Перед установкой сварочного и режущего оборудования уполномоченное лицо предприятия и/ или пользователь должны произвести осмотр участка на предмет возможных электромагнитных помех на прилегающей территории. Необходимо обратить внимание на следующие вопросы:

- a) наличие других кабелей питания, кабелей управления, сигнальных и телефонных кабелей сверху, снизу и рядом со сварочным аппаратом и оборудованием;
- b) наличие радио- и телевизионных передатчиков и приемников;
- c) наличие компьютерного и иного оборудования, используемого для управления;
- d) наличие критического оборудования для обеспечения безопасности, например для защиты промышленного оборудования;
- e) наличие медицинских аппаратов (например, кардиостимуляторов и слуховых аппаратов), используемых населением на прилегающей территории;
- f) наличие оборудования, используемого для измерения или калибровки;
- g) невосприимчивость иного оборудования, находящегося на прилегающей территории. Пользователь должен убедиться, что иное оборудование, используемое на прилегающей территории, является совместимым. Это может потребовать дополнительных мер защиты;
- h) Границы рассматриваемого участка могут быть расширены в соответствии с размерами прилегающей территории, конструкцией зданий и иными работами, выполняемыми в здании, с учётом времени, в течение которого предполагается производить сварочные или иные работы в течение дня.

В дополнение к оценке участка также может потребоваться оценка мест установки устройств с целью устранения нарушающего совместимость воздействия. При необходимости, для подтверждения эффективности мер по снижению воздействия также можно провести измерения на месте. (Источник: МЭК 60974-9).

**Методы снижения
помех**



- Устройство должно быть подключено к источнику питания компетентным специалистом в соответствии с рекомендациями. При возникновении помех могут применяться дополнительные меры, такие как фильтрация сети. Электропитание оборудования для дуговой сварка / резка с фиксированным креплением должно осуществляться при помощи кабеля, проложенного через металлическую трубу или эквивалентного экранированного кабеля. Необходимо подключить экран и корпус источника питания, и между этими двумя конструкциями должен быть обеспечен хороший электрический контакт.
- Необходимо выполнять рекомендуемое плановое обслуживание устройства. При эксплуатации устройства должны быть закрыты и/или заперты все крышки корпуса оборудования. Без письменного разрешения производителя в устройство запрещается вносить какие-либо изменения или модификации, отличные от стандартных настроек. В противном случае вся ответственность за какие-либо последствия возлагается на пользователя.
- Сварочные кабели должны быть максимально короткими. Кабели должны выходить из пола рабочего участка бок о бок. Наматывание сварочных кабелей запрещено.
- Во время сварки / резки в оборудовании генерируется магнитное поле. Это может привести к притягиванию оборудования металлическими предметами.
Для предотвращения этого убедитесь в размещении металлических материалов на безопасном расстоянии или в надёжной фиксации таких материалов. Оператор должен быть изолирован от всех таких взаимосвязанных металлических материалов.
- В случае отсутствия заземления обрабатываемого объекта или изделия, по соображениям электрической безопасности или в связи с его габаритными размерами и положением (например, при изготовлении корпуса судна или стальной конструкции), подключение между обрабатываемым объектом или изделием и землёй в некоторых случаях может снизить выбросы, и необходимо помнить, что заземление обрабатываемого объекта или изделия может привести к телесным повреждениям пользователя или неисправностям иного электрического оборудования, находящегося на прилегающей территории. При необходимости, заземление обрабатываемого объекта или изделия может быть выполнено прямым способом, но в некоторых странах, в которых прямое заземление запрещено, подключение может быть создано при помощи соответствующих элементов ёмкости в соответствии с местными нормами и правилами.
- Экранирование и защита других устройств и кабелей на рабочем участке может предотвратить возникновение воздействий, нарушающих совместимость. Для некоторых случаев может рассматриваться полное экранирование участка сварки / резки.

**Дуговая сварка
может создавать
электромагнитное
поле (IMF)**



Электрический ток, проходящий через какой-либо проводник, создаёт локальные электрические и магнитные поля (ЭМП). Все сварщики должны применять следующие процедуры с целью минимизации риска воздействия ЭМП от сварочной цепи:

- Для уменьшения магнитного поля сварочные кабели должны быть объединены и как можно более надёжно закреплены с помощью крепёжных материалов (ленты, кабельные стяжки и т.п.).
- Тело и голова сварщика/рабочего должны находиться как можно дальше от сварочного аппарата и кабелей.
- Сварочные и электрические кабели ни в коем случае нельзя наматывать на корпус аппарата.
- Тело сварщика не должно находиться между сварочными кабелями. Оба сварочных кабеля должны находиться вдали от тела сварщика, рядом друг с другом.
- Обратный кабель должен быть подключён к обрабатываемому объекту или изделию максимально близко к участку сварки / резки.
- Запрещается опираться, садиться на источник питания сварочного аппарата, а также работать в непосредственной близости к нему.
- Запрещается производить сварки / резки во время перемещения устройства подачи сварочной проволоки или источника питания сварочного аппарата.

ЭМП также может нарушать работу медицинских имплантатов (кардиостимуляторы и т.п.). В виду этого для людей с медицинскими имплантатами должны быть приняты отдельные меры предосторожности. Например, введение ограничений на доступ для пересекающих дорогу людей, а также оценка индивидуальных рисков для сварщиков. Оценка рисков и выдача рекомендаций для пользователей с медицинскими имплантатами должна выполняться медицинским работником.

Защита



- Не подвергайте оборудование воздействию дождя, избегайте попадания на оборудование брызг воды или пара под давлением.

Энергоэффективность



- Выберите метод сварка / резка и сварочный аппарат, соответствующий запланированным сварочным работам.
- Установите параметры сварочного тока и/или напряжения, соответствующие материалу, подлежащему сварки / резки, а также его толщине.
- При длительном простое сварочного оборудования выключите оборудование после его охлаждения вентилятором. Наше оборудование (наша продукция), оснащённое вентилятором с интеллектуальным управлением, отключается автоматически.

**Процедура утилизации
отходов**



- Это устройство не является бытовым мусором. Утилизация устройства должна осуществляться в рамках национального законодательства в соответствии с директивой Европейского Союза.
- Получите информацию об утилизации отходов вашего использованного оборудования у вашего дилера и компетентных лиц.

ТЕХНИЧЕСКАЯ ИНФОРМАЦИЯ

1.1 *Общее описание*

monoMIG 200ik — это однофазный компактный аппарат для сварки MIG/MAG с инверторной структурой, специально разработанный для использования при ремонте плотных тонких металлов. На этом аппарате можно сваривать любой тип металла при условии использования подходящей сварочной проволоки и защитного газа. Сварка нелегированных сталей может выполняться с малым разбрызгиванием и стабильной дугой даже в среде CO₂, имеет 2-роликовый механизм подачи проволоки. Машина охлаждается вентилятором и имеет тепловую защиту от перегрева.

1.2 *Комплектующие сварочного аппарата*

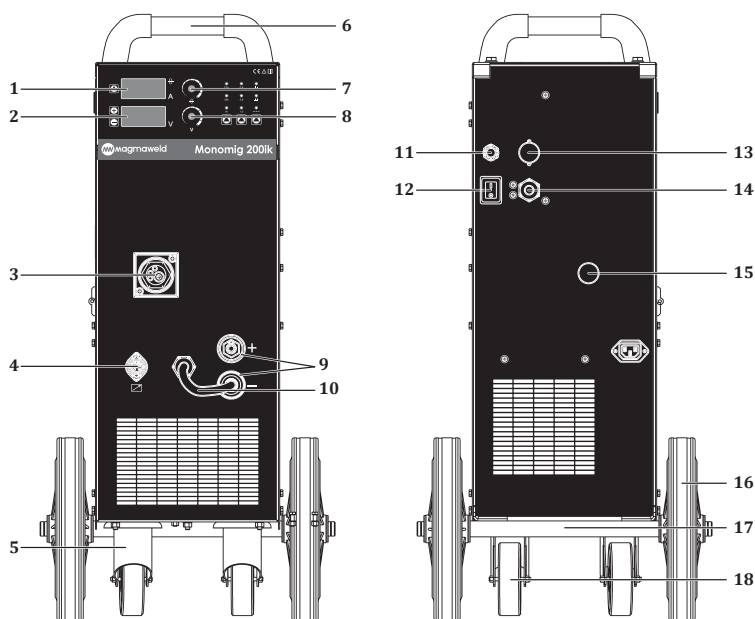


Рисунок 1 : monoMIG 200ik

- | | |
|--|--|
| 1- Индикатор скорости сварочного тока | 10- Кабель сварочного столба |
| 2- Индикатор набора/источника напряжения | 11- Вход газа |
| 3- Подключение кабеля горелки | 12- Переключатель включения/выключения |
| 4- Соединение шпунтового пистолета | 13- Вход дистанционного управления |
| 5- Поворотное колесо с тормозом | 14- Сетевой кабель |
| 6- Ручка | 15- Вход провода канистры |
| 7- Кнопка регулировки скорости проволоки | 16- Фиксированное колесо |
| 8- Кнопка регулировки напряжения | 17- Платформа для перевозки газовых баллонов |
| 9- Полюсные розетки | 18- Поворотное колесо |

1.3 Этикетка продукта

MAGMA MEKATRONIK MAKİNE SAN. VE TİC. A.Ş. Organize Sanayi Bölgesi 5.Kısım Manisa-TÜRKİYE			
MONOMIG 200ik		Seri No :	
		EN 60974-1 / EN 60974-10 / Class A	
	$U_0 = 52V$	30A / 15.5V - 200 / 24V	
		X	16% 60% 100%
		I ₂	200A 103A 80A
		U ₂	24V 19.2V 18V
		I ₁	37.4A 16.6A 12.5A
	$U_1 = 230V$ 1-(50-60Hz)	I _{max} = 37.4A	I _{ref} = 15A
			IP21S CE

Однофазный трансформатор - выпрямитель

Горизонтальная характеристика

MMA - Сварка

Сетевой вход-1-фазный переменный ток

Пригоден для работы в опасных условиях

X Рабочий цикл

U₀ Напряжение работы без нагрузки

U₁ Напряжение и частота сети

U₂ Номинальное напряжение сварочного тока

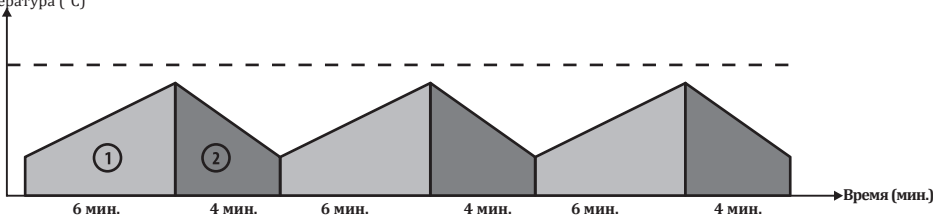
I₁ Номинальное потребление тока сети

I₂ Номинальный сварочный ток

S₁ Потребляемая мощность сети

IP21S класс защиты

Рабочий цикл
Температура (°C)



Согласно стандарту EN 60974-1, продолжительность рабочего цикла включает период времени 10 минут. Например, если машина, указанная как 250A при% 60, должна работать при 250A, машина может выполнять сварку / резку без перерыва в первые 6 минут из 10-минутного периода (зона 1). Однако следующие Для охлаждения машины необходимо 4 минуты простоя (зона 2).

1.4 Технические характеристики

ТЕХНИЧЕСКИЕ ХАРАКТЕРИСТИКИ	Ед. изм.	monoMIG 200ik
Сетевое напряжение (1 фаза - 50-60 Гц)	В	230
Сила тока сети	кВА	8.6
Диапазон регулировки сварочного тока	А пост.тока	30 - 200
Номинальный сварочный ток	А пост.тока	200 (%16)
Максимальное напряжение холостого хода	В пост.тока	52
Размеры (ДхШхВ)	мм	888 x 455 x 870
Вес	кг	48
Класс защиты		IP 21S

1.5 Аксессуары

СТАНДАРТНЫЕ АКСЕССУАРЫ	КОЛ-ВО	monoMIG 200ik
Зажим и кабель заземления	1	7905212503 (25 mm ² - 3 m)
Газовый шланг	1	7907000002
ДОПОЛНИТЕЛЬНЫЕ АКСЕССУАРЫ	КОЛ-ВО	monoMIG 200ik
Lava MIG 25 (3 м) с воздушным охлаждением горелки	MIG 1	7120020003
Регулятор газа (CO ₂)	1	7020001005
Газовый Регулятор (Смесь)	1	7020001004
Нагреватель CO ₂ (24 В)	1	7020009003
Пистолет с катушкой	1	7121018006
Набор принадлежностей для MIG/MAG CO ₂ *	1	7920000521
Набор принадлежностей MIG/MAG Mix / Argon*	1	7920000525

* Необходимо указать при заказе.

ИНФОРМАЦИЯ ПО УСТАНОВКЕ И НАСТРОЙКЕ

2.1 Контроль доставки

Убедитесь, что вместе со сварочным аппаратом доставлены все заказанные материалы. В случае отсутствия или повреждения какого-либо материала, немедленно свяжитесь с компанией, у которой был приобретен сварочный аппарат.

В стандартной коробке находятся:

- Основная машина и подключенный к ней сетевой кабель
- Гарантийный сертификат
- Заземляющие клещи и кабель
- Гид пользователя
- Газовый шланг
- Сварочная проволока

В случае если во время получения аппарата будут выявлены повреждения, составьте протокол и сфотографируйте повреждения. Приложите протокол и фотографии к фотокопии накладной и известите транспортную компанию. В случае отсутствия ответа на ваше обращение в транспортную компанию, обратитесь в службу поддержки клиентов.

Символы и обозначения, установленные на сварочном аппарате



Процесс сварки представляет опасность для человека и окружающих предметов. Выполнение сварки должно осуществляться в соответствующих условиях с принятием необходимых мер безопасности. Ответственность за сохранность и исправность сварочного аппарата, обеспечение необходимого оснащения возлагается на специалистов. Предупредите нахождение посторонних людей вблизи сварочного аппарата.



Данный сварочный аппарат не соответствует стандарту IEC 61000-3-12. В случае если сварочный аппарат будет подключён к сети низкого напряжения, используемого для электроснабжения жилых помещений, пользователь несёт полную ответственность за обеспечение выполнения работ подключения электрических соединений сварочного аппарата электротехником или пользователем аппарата, имеющим знания и навыки по вопросам подключения сварочного аппарата.



Будьте внимательны и строго соблюдайте все символы и предупреждения безопасности, установленные на сварочном аппарате и указанные в Руководстве по эксплуатации. Запрещается удалять этикетки, установленные на сварочном аппарате.



Решётки предназначены для обеспечения вентиляции внутренних частей сварочного аппарата. С целью обеспечения хорошего охлаждения, запрещается закрывать доступ к открытым частям аппарата и размещать инородные предметы внутрь корпуса устройства.

2.2 Рекомендации по установке и эксплуатации

- Подъём и перемещение сварочного аппарата должны выполняться путём крепления стропил за подъёмные проушины или вилочным погрузчиком. Запрещается подъём сварочного аппарата вместе с газовым баллоном. Поместите блок питания на твёрдую, ровную поверхность без уклона, предупреждая падение и опрокидывание.
- Для обеспечения хороших рабочих характеристик разместите сварочный аппарат не менее чем на 30 см от окружающих предметов. Предупреждайте чрезмерный нагрев, запыление и увлажнение среды, в которой выполняется эксплуатация сварочного аппарата. Не выполняйте эксплуатацию сварочного аппарата под прямыми солнечными лучами. При работе в среде с температурой воздуха выше 40°C, выполняйте работы на сварочном аппарате при более низком сварочном токе или при более низком уровне продолжительности включения ПВ.
- Избегайте выполнения сварочных работ вне помещений при ветре или дожде. Если необходимо выполнение сварочных работ при таких погодных условиях, обеспечьте защиту сварочной зоны и сварочного аппарата завесой или тентом.
- При размещении сварочного аппарата убедитесь, что такие материалы, как стены, шторы, панели не препятствуют лёгкому доступу к органам управления и соединениям сварочного аппарата.

- Если сварка выполняется внутри помещения, обеспечьте достаточную систему вытяжки сварочного дыма. При выполнении сварки в закрытых помещениях, в связи с риском вдыхания сварочного дыма и газов, используйте респираторные системы.
- Соблюдайте уровень продолжительности включения П В сварочного аппарата, указанного на заводской табличке устройства. Частое превышение времени работы под нагрузкой может стать причиной повреждения сварочного аппарата и аннулирования гарантийного срока.
- Используйте кабель электропитания, соответствующие указанным параметрам предохранителя.
- Подключите заземляющий кабель как можно ближе к зоне сварки. Не допускайте, чтобы сварочный ток проходил помимо сварочных кабелей по оборудованию, например, непосредственно по сварочному аппарату, газовому баллону, цепи, подшипнику.
- После установки газового баллона на сварочном аппарате, немедленно установите цепь и зафиксируйте газовый баллон. Если газовый баллон не будет устанавливаться на сварочном аппарате, зафиксируйте газовый баллон цепью к стене.
- Электрическая розетка на задней панели сварочного аппарата предназначена для подогревателя CO₂. Розетка предназначена только для подсоединения подогревателя CO₂. Запрещается подсоединять к розетке для подогревателя CO₂ любые другие устройства !

2.3 Ресурсные ссылки

2.3.1 Подключение заземляющих зажимов к полюсной розетке

- При стандартном использовании подсоедините зажимы для заземления к отрицательному полюсу (-), а кабель сварочного полюса к положительному (+) полюсному разъему.
- Некоторые типы проводов привариваются к отрицательному полюсу. В таких случаях подсоедините клеммы для заземления к положительному (+) полюсу, а кабель сварочного полюса к отрицательному (-) полюсу.
- Прикрепите заземляющие зажимы к заготовке как можно ближе к месту сварки.

2.3.2 Подключение газового баллона

- Если вы собираетесь использовать газовый баллон на платформе для переноски газовых баллонов на машине, поместите газовый баллон сюда и немедленно закрепите его цепью.
- Если вы не собираетесь размещать газовый баллон на машине, прикрепите его к стене с помощью цепи.
- Используйте регуляторы и нагреватели, соответствующие стандартам, для безопасной работы и достижения наилучших результатов.
- Убедитесь, что шланговое соединение газового регулятора, который вы будете использовать, полностью выполнено.
- Откройте вентиль газового баллона, не приближая голову и лицо к выпускному отверстию вентиля баллона, и держите его открытым в течение 5 секунд. Таким образом будет выброшен возможный осадок и грязь.
- Если предполагается использовать нагреватель CO₂, сначала подсоедините нагреватель CO₂ к газовому баллону. После подключения газового регулятора к нагревателю CO₂ подключите нагреватель CO₂ к разъему нагревателя CO₂ на задней панели машины.
- Если нагреватель CO₂ не будет использоваться, подсоедините газовый регулятор к газовому баллону.
- Подсоедините один конец шланга баллона к газовому регулятору и затяните хомут. Подсоедините другой конец впускному отверстию для газа в задней части машины и затяните гайку.
- Откройте вентиль газового баллона и убедитесь, что баллон полон и нет утечек в газовом тракте. Если вы слышите звук и/или запах газа, свидетельствующие об утечке, проверьте соединения и устраните утечку.

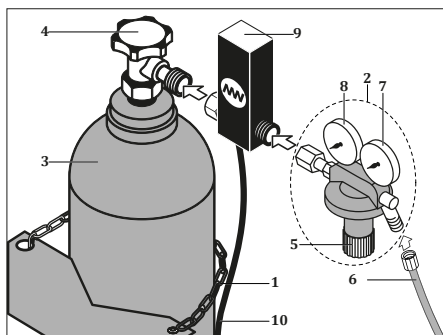


Рисунок 2 : Газовый баллон – нагреватель – соединения регулятора

- 1- Цепь
- 2- Регулятор газа
- 3- Газовый баллон
- 4- Клапан газового баллона
- 5- Клапан регулировки расхода
- 6- трубка шланга
- 7- Расходомер
- 8- Манометр
- 9- Нагреватель CO₂
- 10- Энергетический кабель нагревателя CO₂

RU

2.3.3 Подготовка и подключение горелки

- Соединение горелки выполнено в евроразъемной конструкции. Совместим со всеми стандартными и шпунельными горелками с конструкцией евроразъема. Некоторые типы проволоки привариваются к отрицательному полюсу. Чтобы изменить полюс вашей машины, подсоедините полюсный кабель, идущий от передней части машины, к соответствующему полюсному разъему.
- Подсоедините резак к разъему резака и плотно затяните гайку.



Рисунок 3 : Подключение горелки

Соединение катушки (разъем)

ПУЛЬТНЫЙ ДВИГАТЕЛЬ	➤	ЛП-16-С07ПЭ-02-001 - 7
ПУСК ПУЛЬТА КАТУШКИ 1	➤	ЛП-16-С07ПЭ-02-001 - 1
ПУЛЬТНЫЙ ДВИГАТЕЛЬ +	➤	ЛП-16-С07ПЭ-02-001 - 6
ПУСК ПУЛЬТА КАТУШКИ 2	➤	ЛП-16-С07ПЭ-02-001 - 2
ЛП-16-С07ПЭ-02-001-3	➤	ЛП-16-С07ПЭ-02-001 - 4
ЛП-16-С07ПЭ-02-001-4	➤	ЛП-16-С07ПЭ-02-001 - 3

- Используйте горелку, подходящую для мощности вашего аппарата и сварки, которую вы будете производить.
- Убедитесь, что диаметры спирали и контактного сопла внутри горелки соответствуют диаметру сварочной проволоки, которую вы будете использовать. При необходимости замените спираль и контактный наконечник.
- менять спираль; Снимите сопло, контактное сопло и переходник по порядку.

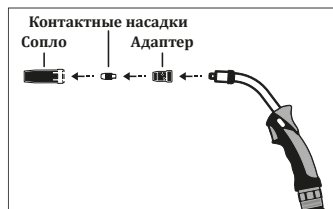


Рисунок 4 : Отсоединение сопла и контактного сопла от резака

- Затем отвинтите спиральную гайку на стороне разъема резака с помощью ключа, выдвиньте резак прямо и удалите спираль внутри резака.
- Вставив новую спираль в резак, установите спиральную гайку и надежно затяните.

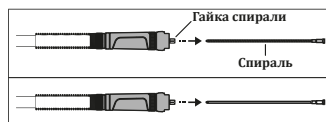


Рисунок 5 : Снятие и установка катушки

RU

- Срежьте бококорезом излишки спирали, выходящие из головки горелки, от точки, где заканчивается газораспределитель (держатель контактного сопла), как показано на рисунке ниже, чтобы не было зазора между спиралью и контактом. сопло. Сделайте область разреза тупой и без заусенцев путем бритья.

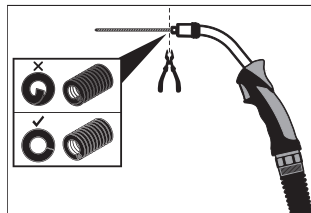
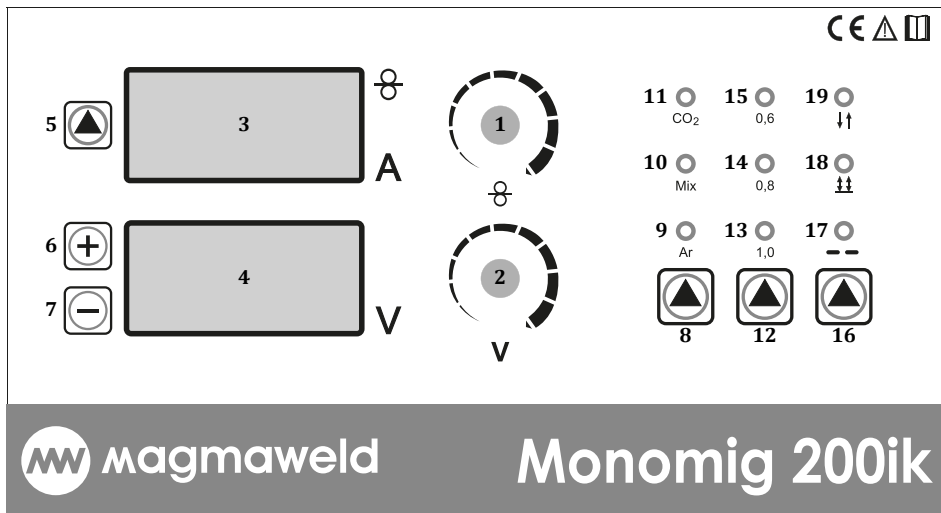


Рисунок 6 : Разрезание продолжения спирали

✂ ИНФОРМАЦИЯ ПО ЭКСПЛУАТАЦИИ

3.1 Интерфейс пользователя

RU



1-2	Регулировочные горшки Он используется для установки значений скорости проволоки и напряжения для желаемой сварки.
3-4	Цифровая панель Он показывает числовое значение выбранного параметра сварки, ток и напряжение во время сварки, скорость холостого хода проволоки и заданное значение напряжения.
5	Подменю Чтобы определить время параметра сварки, Pre 0,0/10,0 сек Время предварительного газа Vrn 0,0/100 мс Время отжига Pos 0,0/10,0 сек. Время подачи газа Тон 0,2/20,0 сек. Активное время спота Tof 0,2/20,0 сек Пассивная продолжительность задней бабки Crt On/Off Кратер активен или пассивен привык входить в положение.
6-7	Кнопки настройки подменю Используется для увеличения и уменьшения времени в выбранном меню.
8	Кнопка выбора режима подачи газа Выбирает газ, который будет использоваться при сварке. Светодиод 9, когда выбран газ Ar, светодиод 10, когда выбран газ Mix, и светодиод 11, когда выбран газ CO ₂ .
12	Кнопка выбора толщины проволоки Для провода толщиной 1,0 загорается светодиод 13, для провода толщиной 0,8 – светодиод 14, для провода толщиной 0,6 – загорается светодиод 15.
16	Кнопка выбора режима триггера Он используется для выбора одного из режимов 2-позиционного, 4-позиционного и положения задней бабки. Светодиод 19 при выборе 2-позиционного положения, светодиод 18 при выборе 4-позиционного положения, светодиод 17 при выборе положения задней бабки загорается.

3.2 Структура меню

Включенные и выключенные состояния функций в соответствии с режимами указаны в таблице ниже.

Parametre	Değer Aralığı	Fabrika Ayarı	2 Konumu MIG		4 Konumu MIG		Punta MIG	
Ön Gaz Süresi	0 - 10 sn.	1 sn.	✓	✓	✓	✓	✓	✓
Akım Skalası	30 - 200 A	30 - 200 A	✓	✓	✓	✓	✓	✓
Üst Akım	200 A	200 A	✓	✓	✓	✓	✓	✓
Alt Akım	30 A	30 A	✓	✓	✓	✓	✓	✓
Son Gaz Süresi	0 - 10 sn.	1 sn.	✓	✓	✓	✓	✓	✓
Geri Yanma Süresi	0 - 100	0 - 1 sn.	✓	✓	✓	✓	✓	✓
Punta Aktif Süresi	0.2 - 20 sn.	1 sn.					✓	✓
Punta Pasif Süresi	0.2 - 20 sn.	1 sn.					✓	✓

3.3 Подключение к сети



Перед подключением машины к сети проверьте напряжение сети [230 В переменного тока].

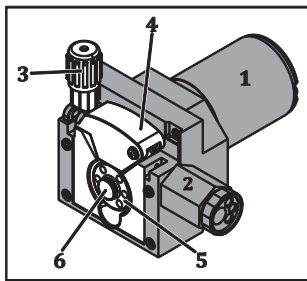


Убедитесь, что переключатель включения/выключения находится в положении «0» при включении его в розетку.

- Запустите машину с помощью выключателя.
- Услышав шум вентилятора и загоревшуюся лампочку сетевого питания, выключите машину, снова повернув выключатель в положение «0».

3.4 Выбор и замена катушки подачи проволоки

- Откройте крышку секции подачи проволоки. Вы увидите 2-х роликовую систему подачи проволоки.



- 1- Двигатель
- 2- евроконнектор
- 3- Рычаг прижимного ролика
- 4- Печатные катушки
- 5- Катушки для подачи проволоки
- 6- Винты роликов TS

Рисунок 7 : Система подачи проволоки

- Используйте ролики подачи проволоки, подходящие для материала и диаметра сварочной проволоки, которую вы будете использовать. Используйте ролики подачи проволоки с V-образной канавкой для стали и нержавеющей стали, с зубчатой V-образной канавкой для порошковой проволоки и с U-образной канавкой для алюминия.
- Если вам нужно заменить ролики подачи проволоки, потяните ручку прижимного ролика на себя и поднимите прижимные ролики, затем отвинтите ролики подачи проволоки и снимите имеющиеся ролики.



Обе стороны катушек маркированы в соответствии с диаметром проволоки, в которой они используются. Вставьте катушки во фланец со значением диаметра проволоки на стороне, обращенной к вам. поместите это.

- После размещения роликов, которые вы будете использовать, снова закрутите винты, опустите прижимные ролики и поднимите рычаг прижимного ролика, чтобы зафиксировать его на прижимных роликах.

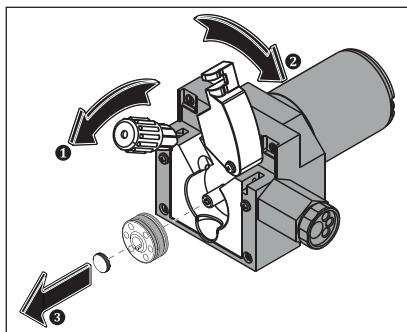


Рисунок 8 : Снятие роликов подачи проволоки

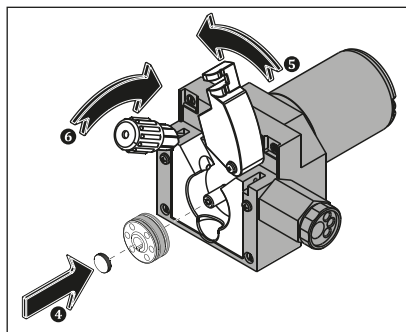
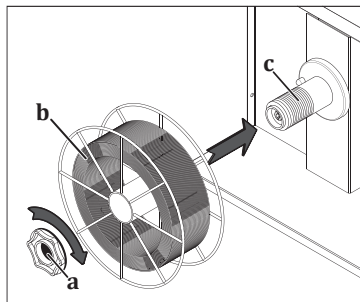


Рисунок 9 : Размещение роликов подачи проволоки

3.5 Установка проволочной катушки и прокладка проволоки

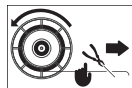
- Открутите винт системы транспортировки проволоки. Вставьте катушку сварочной проволоки в шпindelь системы подачи проволоки и снова затяните винт.



Слишком сильное затягивание винта системы подачи проволоки препятствует подаче проволоки и может привести к неисправности. С другой стороны, недостаточное затягивание винта может привести к тому, что корзина для проволоки опустеет и перемещается через некоторое время, когда подача проволоки будет остановлена. Поэтому закручивайте винт не слишком туго и не слишком свободно.

Рисунок 10 : Размещение проволочной катушки

- Потяните прижимной рычаг на ролике подачи проволоки и опустите его, т.е. опорожните прижимной ролик.



- Удалите сварочную проволоку из места ее соединения в проволочной корзине и отрежьте конец бокорезом, не упуская руки.



Если пропустить конец проволоки, то проволоки может выскочить как пружина и навредить вам и окружающим.

- Не отпуская проволоку, проведите ее через направляющую ввода проволоки к роликам и по роликам в горелку.

RU

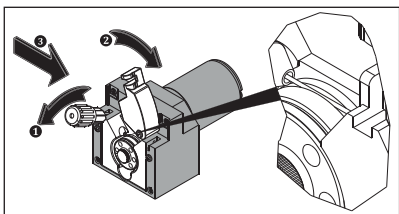
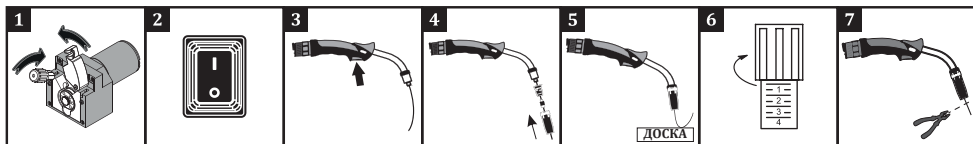


Рисунок 11 : Протягивание проволоки к катушке

- Нажмите на прижимные ролики и поднимите прижимной рычаг **1**.
- Запустите машину, повернув переключатель включения/выключения в положение «1» **2**.
- Нажимайте курок до тех пор, пока проволока не выйдет из наконечника горелки, при этом следите за тем, чтобы катушка сварочной проволоки вращалась легко. Проверьте наличие ослабления обмотки, несколько раз нажав и отпустив курок **3**. Если наблюдается ослабление и/или перемотка, еще немного затяните винт системы транспортировки проволоки.
- Когда проволока выйдет из наконечника горелки, снова присоедините сопло и контактный наконечник к горелке **4**.
- Вставьте проволоку в доску **5**, чтобы установить правильное натяжение проволоки **6**, и обрежьте конец проволоки **7**.



A: Правильное давление проволоки и размер канала

B: Из-за слишком сильного сжатия прижимной рычага форма проволоки деформируется.

C: Поскольку прижимной рычаг слишком сильно сжат, на поверхности ролика возникают деформации.

D: Длина канала катушки мала для используемой проволоки. Имеет место искажение формы провода.

E: Длина канала катушки велика для используемой проволоки. Проволока не может быть доставлена в зону сварки.

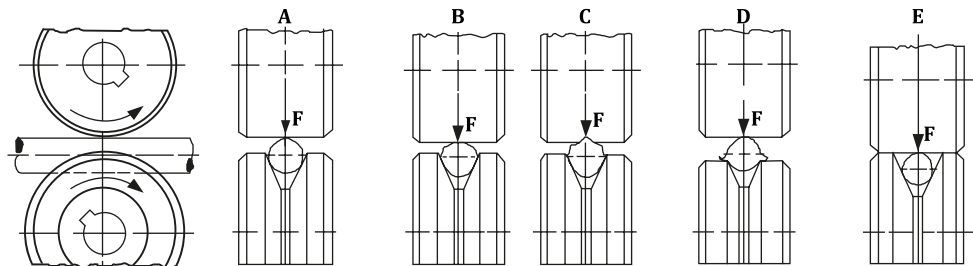


Рисунок 12 : Ошибки регулировки давления и выбора золотника

3.7 Регулировка расхода газа



Выполните регулировку газа и проверку газа, опустив прижимной рычаг ролика подачи проволоки!

- Отрегулируйте расход газа с помощью клапана регулировки расхода.
- Практичная проволока расхода газа (CO₂, Ar, смесь) в 10 раз больше его диаметра. Например, при диаметре проволоки 1,0 мм расход газа Его можно отрегулировать как 10 x 1,0 = 10 л/мин.
- Для более точной настройки расхода используйте соседнюю таблицу. ты можешь использовать. После регулировки подачи газа поднимите рычаг прижимного ролика и потяните механизм подачи проволоки Закройте крышку устройства.

Диаметр проволоки (мм)	0.8	Нелегированная сталь и Металлическая проволока	Основной провод	Нержавеющая сталь	Алюминий
0.8	8 lt/мин.	7 lt/ мин.	8 lt/мин.	8 lt/мин.	
1.0	10 lt/мин.	9 lt/мин.	10 lt/ мин.	10 lt/мин.	
1.2	12 lt/мин.	11 lt/мин.	12 lt/мин.	12 lt/мин.	

Примечание : Это рекомендуемые значения для стандартных условий.



ТЕХОБСЛУЖИВАНИЕ И УСТРАНЕНИЕ НЕИСПРАВНОСТЕЙ

RU

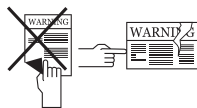
- Техническое обслуживание и ремонт машины должны выполняться компетентными лицами. Наша компания не несет ответственности за несчастные случаи, которые могут произойти в результате вмешательства посторонних лиц.
- Вы можете получить детали, которые будут использоваться во время ремонта, в наших авторизованных сервисных центрах. Использование оригинальных запасных частей продлит срок службы вашей машины и предотвратит снижение производительности.
- Всегда обращайтесь в авторизованный сервисный центр, назначенный Magmaweld.
- Любая попытка, не санкционированная Magmaweld в течение гарантийного срока, приведет к аннулированию всех гарантийных положений.
- Обязательно соблюдайте действующие правила техники безопасности при техническом обслуживании и ремонте.
- Прежде чем предпринимать какие-либо действия по ремонту машины, отсоедините вилку сетевого шнура машины от сети и подождите 10 секунд, пока разрядятся конденсаторы.

4.1 Техобслуживание



Один раз в 3 месяцев

- Не удаляйте предупреждающие наклейки с устройства. Замените изношенные/порвавшиеся этикетки новыми. Этикетки можно получить в авторизованном сервисе.
- Проверьте горелку, плоскогубцы и кабели. Обратите внимание на соединения и прочность деталей. Замените поврежденные/дефектные детали новыми. Никогда не добавляйте и не ремонтируйте кабели.
- Убедитесь, что имеется достаточно места для вентиляции.
- Перед началом сварки проверьте поток газа от наконечника горелки с помощью расходомера. Если поток газа высокий или низкий, доведите его до уровня, подходящего для выполнения сварки.



Один раз в 6 месяцев

- Очистите и затяните соединительные детали, такие как болты и гайки.
- Проверьте кабели клещей для электродов и клещей для заземления.
- Откройте боковые крышки машины и очистите ее сухим воздухом под низким давлением. Не подавайте сжатый воздух с близкого расстояния на электронные компоненты.
- Периодически обновляйте воду в баке водяного охлаждения чистой нежесткой водой и защищайте ее от замерзания антифризом.



4.2 Непериодическое обслуживание

- Механизм подачи проволоки должен содержаться в чистоте, а поверхности роликов ни в коем случае нельзя смазывать маслом. Всегда при каждой смене сварочной проволоки очищайте осушенным воздухом остатки, скопившиеся на механизме.
 - Расходные детали резака необходимо регулярно очищать.
- При необходимости его следует заменить. Убедитесь, что эти материалы являются оригинальными продуктами для длительного использования.

ПРИМЕЧАНИЕ: Вышеуказанные периоды являются максимальными периодами для выполнения техобслуживания в случаях, если сварочный аппарат работает без каких-либо сбоев. В зависимости от интенсивности работ и загрязнения рабочей среды, процедуры техобслуживания, указанные выше, должны выполняться с более частой периодичностью



Никогда не выполняйте сварку с открытыми крышками сварочного аппарата.

4.3 Поиск проблемы

В таблице ниже указаны возможные неисправности и рекомендуемые способы устранения.

Ошибка	Причина	Решение
Машина не работает	• Машина не подключена к сети или не подключена к сети	• Убедитесь, что машина подключена к розетке
	• Неправильное подключение к сети	• Проверьте правильность подключения к сети
	• Сетевые предохранители, сетевой кабель или вилка неисправны	• Проверьте сетевые предохранители, сетевой кабель и вилку
	• Сработал предохранитель	• Проверьте предохранитель
	• Контактор неисправен	• Проверьте разъем
Двигатель механизма подачи проволоки не работает	• Сработал предохранитель	• Проверьте предохранитель
	• Дефект электронной карты	• Обратитесь в авторизованный сервис
Двигатель подачи проволоки работает, но проволока не подается	• Ролики подачи проволоки не выбираются в соответствии с диаметром проволоки.	• Выберите подходящий ролик механизма подачи проволоки
	• Слишком слабое давление на ролики подачи проволоки	• Отрегулируйте прижимной ролик
плохо сваривается	• Проблема в соединении машины с частью заземляющих клещей	• Убедитесь, что клещи заземления машины подключены к заготовке
	• Коррозия кабелей и соединений	• Убедитесь, что кабели прочные, а места соединений не подвержены коррозии
	• Неправильный выбор параметра и процесса	• Убедитесь, что выбран правильный параметр и процесс. Следуйте приведенным ниже шагам в соответствии с выбранным вами процессом
	• Поток газа не открыт или неисправен	• Убедитесь, что поток газа открыт, убедитесь, что поток правильный
	• Сварочная горелка повреждена	• Убедитесь, что сварочная горелка прочна
	• Расходные материалы неправильно подобраны или повреждены	• Следует выбирать соответствующие расходные детали и регулярно очищать расходные детали резака. Неправильно подобранные или изношенные расходные материалы подлежат замене

RU

Ошибка	Причина	Решение
плохо сваривается	<ul style="list-style-type: none"> Неправильная настройка давления прижимных роликов 	<ul style="list-style-type: none"> Настройки прижимного ролика должны быть выполнены правильно
Вентилятор не работает	<ul style="list-style-type: none"> Сработал предохранитель 	<ul style="list-style-type: none"> Проверьте предохранитель
	<ul style="list-style-type: none"> Двигатель вентилятора неисправен 	<ul style="list-style-type: none"> Обратитесь в авторизованный сервис
Сварочный ток нестабилен и/или не регулируется	<ul style="list-style-type: none"> Диодная группа неисправна 	<ul style="list-style-type: none"> Обратитесь в авторизованный сервис
Машина шумная	<ul style="list-style-type: none"> Контактор неисправен 	<ul style="list-style-type: none"> Обратитесь в авторизованный сервис
Не работает розетка отопителя	<ul style="list-style-type: none"> Страхование отходов 	<ul style="list-style-type: none"> Проверьте предохранитель. Обратитесь в авторизованный сервис

4.4 Коды неисправностей

Код ошибки	Ошибка
TRR ERR	Тепловая ошибка
ERR OC1	Вторичная ошибка перегрузки по току
ERR OC2	Первичный сверхток
ERR OC3	Максимальная ошибка подачи проволоки



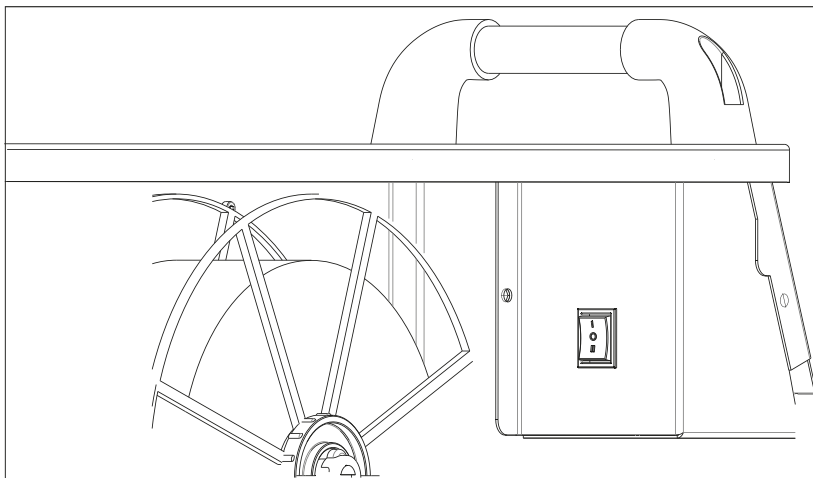
ПРИЛОЖЕНИЕ



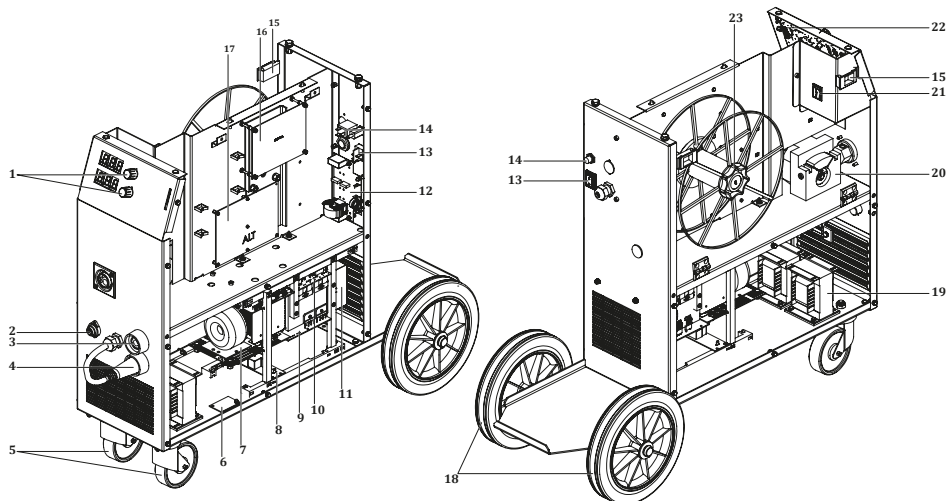
5.1 Точные настройки в механизме подачи проволоки

RU

- 1- Кнопка свободной подачи проволоки:** Пока кнопка нажата, проволока подается, газовый клапан не работает. Вы можете использовать эту кнопку, чтобы вставить проволоку в горелку.
- 2- Кнопка свободного газа:** Пока кнопка нажата, подача газа обеспечивается, подача проволоки не работает. Вы можете использовать эту кнопку для смены газа в системе после замены газа.



5.2 Список запасных частей

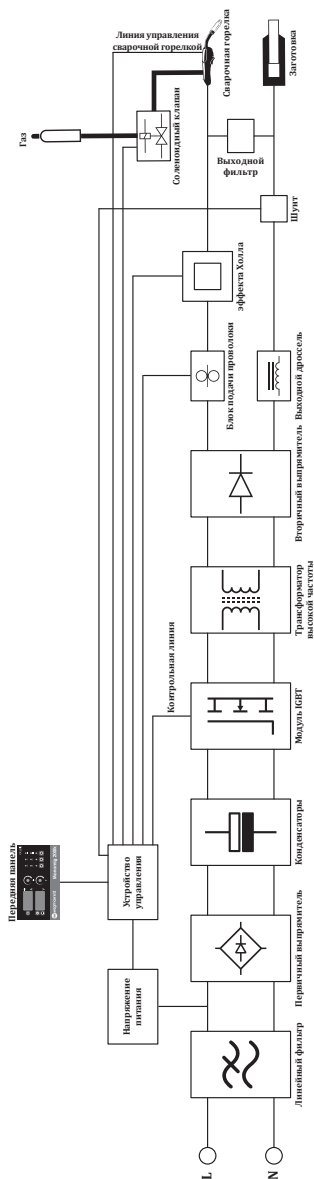


№	ОПИСАНИЕ	monoMIG 200ik
1	Ручка потенци, маленькая	A229500001
2	Разъем	A378000007
3	Сварочная муфта	A377900106
4	Сварочная заглушка	A377900006
5	Листовое поворотное колесо (с отверстиями)	A225100013
6	Электронная плата-E205 FLT V1.0	K405000166
7	Электронная плата-E203A PWR V43	K405000215
8	Электронная плата-E205A-RL V1.2	K405000212
9	Электронная плата-E203A AC PWR V43	K405000226
10	Электронная плата-E205A PWR V31	K405000241
11	Вентилятор Монофазный	A250001024
12	Электронная плата-E203A FLT V40 200IK	K405000242
13	Переключатель вкл/выкл (с подсветкой)	A310100008
14	Газовый клапан	A253006019
15	Замок крышки	A229300006
16	Электронная плата-E121A V11 AC	K405000164
17	Электронная плата-E205A CNT V31	K405000165
18	Колесо пластиковое 250x50x20	A225222010
19	Дроссельная катушка	K304500113
20	Система подачи проволоки	K309002204
21	Вкл. Выкл. Переключатель	A310100010
22	Электронная плата-E305A V21	K405000169
23	Соединение с проволочной конвейерной машиной Система-3	A229900003
	Мембранная этикетка	K109900031
	Датчик Холла	A834000001
	Шунт	A833000002

5.3 Схемы подключения

Блок-схема

RU



İÇİNDEKİLER

	GÜVENLİK KURALLARI	56
1	TEKNİK BİLGİLER	
1.1	Genel Açıklamalar	62
1.2	Makine Bileşenleri	62
1.3	Ürün Etiketi	63
1.4	Teknik Özellikler	64
1.5	Aksesuarlar	64
2	KURULUM BİLGİLERİ	
2.1	Teslim Alırken Dikkat Edilecek Hususlar	65
2.2	Kurulum ve Çalışma Tavsiyeleri	65
2.3	Kaynak Bağlantıları	66
2.3.1	Toprak Pensesini İş Parçasına Bağlama	66
2.3.2	Gaz Bağlantıları	66
2.3.3	Torcu Hazırlama ve Bağlama	67
3	KULLANIM BİLGİLERİ	
3.1	Kullanıcı Arayüzü	68
3.2	Menü Yapısı	69
3.3	Şebekeye Bağlama	69
3.4	Tel Sürme Makarasının Seçimi ve Değişimi	69
3.5	Tel Sepetini Yerleştirme ve Teli Sürme	70
3.6	Gaz Debisini Ayarlama	71
4	BAKIM VE ARIZA BİLGİLERİ	
4.1	Bakım	72
4.2	Periyodik Olmayan Bakım	72
4.3	Hata Giderme	73
4.4	Hata Kodları	74
5	EKLER	
5.1	Tel Sürme Ünitesi İçinde Yer Alan İnce Ayarlar	75
5.2	Yedek Parça Listesi	76
5.3	Bağlantı Şemaları	77

✓ GÜVENLİK KURALLARI

Kılavuzda Yer Alan Tüm Güvenlik Kurallarına Uyun!

Güvenlik Bilgilerinin Tanınması



- Kılavuzda yer alan güvenlik sembolleri potansiyel tehlikelerin tanımlanmasında kullanılır.
- Bu kılavuzda herhangi bir güvenlik sembolü görüldüğünde, bir yaralanma riski olduğu anlaşılmalı ve takip eden açıklamalar dikkatlice okunarak olası tehlikeler engellenmelidir.
- Makine sahibi, yetkisiz kişilerin ekipmana erişmesini engellemekten sorumludur.
- Makineyi kullanan kişiler kaynak / kesme konusunda deneyimli veya tam eğitilmiş kişiler olup; çalışma öncesinde kullanma kılavuzunu okumalı ve güvenlik uyarılarına uymalıdır.

Güvenlik Sembollerinin Tanınması



DİKKAT

Yaralanma ya da hasara neden olabilecek potansiyel tehlikeli bir durumu belirtir. Önlem alınmaması durumunda yaralanmalara veya maddi kayıplara / hasarlara neden olabilir.



ÖNEMLİ

Kullanıma yönelik bilgilendirmeleri ve uyarıları belirtir.



TEHLİKE

Ciddi tehlike olduğunu gösterir. Kaçınılması durumunda ölüm veya ağır yaralanmalar meydana gelebilir.

Güvenlik Uyarılarının Kavranması



- Kullanım kılavuzunu, makine üzerindeki etiket ve güvenlik uyarılarını dikkatli bir şekilde okuyunuz.
- Makine üzerindeki uyarı etiketlerinin iyi durumda olduğundan emin olunuz. Eksik ve hasarlı etiketleri değiştiriniz.
- Makinenin nasıl çalıştırıldığını, kontrollerinin doğru bir şekilde nasıl yapılacağını öğreniniz.
- Makinenizi uygun çalışma ortamlarında kullanınız.
- Makinenizde yapılabilecek uygunsuz değişiklikler makinenizin güvenli çalışmasına ve kullanım ömrüne olumsuz etki eder.
- Cihazın belirtilen koşullar dışında çalıştırılmasından doğan sonuçlardan üretici sorumlu değildir.

Elektrik Çarpmaları Öldürebilir



Kurulum prosedürlerinin ulusal elektrik standartlarına ve diğer ilgili yönetmeliklere uygun olduğundan emin olun ve makinenin yetkili kişiler tarafından kurulmasını sağlayın.

- Kuru ve sağlam izolasyonlu eldiven ve iş önlüğü giyin. Islak ya da hasar görmüş eldiven ve iş önlüklerini kesinlikle kullanmayın.
- Yanma riskine karşı alev dayanıklı koruyucu kıyafetler giyin. Operatörün kullandığı kıyafetler kıvılcım, sıçrıntı ve ark radyasyonuna karşı koruyucu olmalıdır.
- Yalnız başınıza çalışmayın. Bir tehlike durumunda, çalıştığınız ortamda haber verebileceğiniz birinin olduğundan emin olun.
- Elektroda çıplak elle dokunmayın. Elektrod penselinin veya elektrodun herhangi bir kişi ya da topraklanmış nesne ile temas etmesini engelleyin.
- Elektrik taşıyan parçalara kesinlikle dokunmayın.
- Eğer çalışma yüzeyine, zemine ya da başka bir makineye bağlı elektrodla temas halindeyseniz kesinlikle elektrodla dokunmayın.
- Çalışma yüzeyinden ve zeminden kendinizi izole ederek olası muhtemel elektrik şoklarından koruna bilirsiniz. Çalışma yüzeyiyle operatörün temasını kesecek kadar büyük, yanzmaz, elektriksiz açıdan yalıtık, kuru ve hasarsız izolasyon malzemesi kullanın.
- Elektrod pensesine birden fazla elektrod bağlamayın.
- Topraklama pensesini çalışma parçası ya da çalışma masasına metal metale iyi bir temas sağlayacak şekilde olabildiğince yakın bağlayın.
- Makineyi çalıştırmadan önce torcu kontrol edin. Torcun ve kablolarının iyi durumda olduğundan emin olun. Hasarlı, yıpranmış torcu mutlaka değiştirin.
- Çift açık devre voltajı olacağı için 2 farklı makineye bağlı elektrod penselerine aynı anda dokunmayın.
- Makineyi kullanmadığınız durumlarda kapalı tutun ve kabloların bağlantılarını sökün.
- Makineyi tamir etmeden önce tüm güç bağlantılarını ve/veya bağlantı fişlerini çıkartın ya da makineyi kapatın.
- Uzun şebeke kablosu kullanırken dikkatli olun.
- Tüm bağlantıların sıkı, temiz ve kuru olduğundan emin olun.

- Kabloların kuru, temiz olmasına ve yağlanmamasına özen gösterin. Sıcak metal parçalardan ve kıvılcıklardan koruyun.
- İzolasyonsuz, çıplak kablolar ölümcül tehlike yaratır. Tüm kabloları olası hasarlarla karşı sık sık kontrol edin. Hasarlı ya da izolasyonsuz bir kablo tespit edildiğinde derhal tamir edin veya değiştirin.
- Topraklama sensesi iş parçasına bağlı değil ise herhangi bir metal nesneyle temasını önlemek için izole edin.
- Elektrik hattının topraklamasının doğru yapıldığından emin olun.
- AC kaynak çıkışı ıslak, nemli ya da sıkışık alanlarda ve düşme tehlikesi bulunan yerlerde kullanmayın.
- AC çıkışı yalnızca kaynak prosesi için gerekli olduğu durumlarda kullanın.
- AC çıkış gerekli olduğu durumlarda eğer makinanızda mevcut ise uzaktan kontrol ünitesini kullanın.

Aşağıdaki elektriksiz açıldan tehlike içeren durumlardan biri mevcut olduğunda ekstra güvenlik önlemleri alın;

- Nemli yerlerdeyken veya ıslak kıyafetler giyerken,
 - Metal zemin, ızgara veya iskele yapılarında iken,
 - Oturma, diz çökme veya yatma gibi sıkışık konumlarda iken,
 - İş parçası veya zemine temas etme riski yüksek veya kaçınılmaz olduğunda.
- Bu durumlarda aşağıdaki ekipmanlar kullanılabilir;
- Yarı otomatik DC sabit gerilim (CV) MIG kaynak makinesi,
 - DC manuel Örtülü elektrod kaynak makinesi,
 - Var ise düşük açık devre gerilimine (VRD) sahip DC veya AC kaynak makinesi.

**Elektrik Çarpması
Durumunda
Uygulanması
Gerekenler**



- Elektrik gücünü kapatın.
- Elektrik şokuna kapılmış kazazedeyi elektrik taşıyan kablo veya parçalardan kurtarmak için kuru odun gibi iletken olmayan malzemeler kullanın.
- Acil servisi arayın.

İlk yardım eğitiminiz var ise;

- Kazazede nefes alamıyorsa elektrik kaynağı ile temas kesildikten hemen sonra kalp masajı (CPR) uygulayın. Solunum başlayana veya yardım gelene kadar kalp masajına devam edin.
- Otomatik bir elektronik defibrilatörün (AED) mevcut olduğu durumlarda talimatlara uygun şekilde kullanın.
- Elektrik yanığını termal yanık gibi soğuk kompres uygulayarak tedavi edin.
- Enfeksiyon kapmasını önleyin ve temiz, kuru bir örtü ile örtün.

**Hareketli Parçalar
Yaralanmalara
Yol Açabilir**



- Hareket halinde olan nesnelere uzak durun.
- Makine ve cihazlara ait tüm kapak, panel, kapı vb. koruyucuları kapalı ve kilitli tutun.
- Ağır cisimlerin düşme olasılığına karşı metal burunlu ayakkabı giyin.

**Duman ve Gazlar
Sağlığınız İçin
Zararlı Olabilir**



Kaynak ve kesme işlemi yapılırken çıkan duman ve gazın uzun süre solunması çok tehlikelidir.

- Gözlerde, burunda ve boğazda meydana gelen yanma hissi ve tahrişler; yetersiz havalandırmanın belirtileridir. Böyle bir durumda derhal havalandırmayı arttırın, sorunun devam etmesi halinde kaynak / kesme işlemini durdurun.
- Çalışma alanında doğal ya da suni bir havalandırma sistemi oluşturun.
- Kaynak / kesme işlemi yapılan yerlerde uygun bir duman emme sistemi kullanın. Gerekiyorsa tüm atölyede biriken duman ve gazları dışarıya atabilecek bir sistem kurun. Deşarj esnasında çevreyi kirletmemek için uygun bir filtrasyon sistemi kullanın.
- Dar ve kapalı alanlarda çalışıyorsanız veya kurşun, berilyum, kadmiyum, çinko, kaplı ya da boyalı malzemelerin kaynağını yapıyorsanız, yukarıdaki önlemlere ilave olarak temiz hava sağlayan maskeler kullanın.
- Gaz tüpleri ayrı bir bölgede gruplandırılmışsa buraların iyi havalandırılması sağlayın, gaz tüpleri kullanımında değilken ana vanalarını kapalı tutun, gaz kaçaklarına dikkat edin.
- Argon gibi koruyucu gazlar havadan daha yoğun ve kapalı alanlarda kullanıldıkları takdirde havanın yerine solunabilirler. Bu da sağlığınız için tehlikelidir.
- Kaynak / kesme işlemlerini yağlama veya boyama işlemlerinde açığa çıkan klorlu hidrokarbon buharlarının olduğu ortamlarda yapmayın.
- Bazı kaynak / kesim yapılan parçalar için özel havalandırma gerekir. Özel havalandırma gerektiren ürünlerin güvenlik kuralları dikkatlice okunmalıdır. Gaz maskesi takılması gereken durumlarda uygun gaz maskesi takılmalıdır.

Siçrıntı ve Ark Işığı Gözlerinize ve Cildinize Zarar Verebilir



- Gözlerinizi ve yüzünüzü korumak için standarda uygun koruyucu maske ile ona uygun cam filtre kullanın.
- Vücutunuzun diğer çıplak kalan yerlerini (kollar, boyun, kulaklar, vb) uygun koruyucu giysilerle siçrıntı ve ark ışınlarından koruyun.
- Çevrenizdeki kişilerin ark ışınlarından ve sıcak metallere zarar görmemeleri için çalışma alanınızı göz hizasından yüksek, aleve dayanıklı paravanlarla çevirin ve uyarı levhaları asın.
- Buz tutmuş boruların ısıtılmasında kullanılmaz. Kaynak / kesme makinesiyle yapılan bu işlem tesisatınızda patlama, yangın veya hasara neden olur.

Kıvılcımlar ve Siçrayan Parçalar Gözlerinizi Yaralayabilir



- Kaynak / kesme yapmak, yüzey taşlamak, fırçalamak gibi işlemler kıvılcımlara ve metal parçacıklarının siçramasına neden olur. Oluşabilecek yaralanmaları önlemek için koruyucu maskesinin altına, kenar korumalıkları olan onaylanmış koruyucu iş gözlükleri takın.

Sıcak Parçalar Ağır Yanıklara Neden Olabilir



- Sıcak parçalara çıplak el ile dokunmayın.
- Makinenin parçaları üzerinde çalışmadan önce soğumaları için gerekli sürenin geçmesini bekleyin.
- Sıcak parçaları tutmanız gerektiğinde, uygun alet, ısıl izolasyonu yüksek kaynak / kesme eldiveni ve yanmaz giysiler kullanın.

Gürültü, Duyma Yeteneğinize Zarar Verebilir



- Bazı ekipman ve işlemlerin oluşturacağı gürültü, duyma yeteneğinize zarar verebilir.
- Eğer gürültü seviyesi yüksek ise onaylanmış kulak koruyucularını takın.

Kaynak Teli Yaralanmalara Yol Açabilir



- Kaynak teli sargısını boşaltırken torcu vücudun herhangi bir bölümüne, diğer kişilere ya da herhangi bir metale doğru tutmayın.
- Kaynak telini makaradan elle açarken özellikle ince çaplarda tel, bir yay gibi elinizden fırlayabilir, size veya çevrenizdeki diğer kişilere zarar verebilir; bu işlemi yaparken özellikle gözlerinizi ve yüzünüzü koruyun.

Kaynak / Kesme İşlemi Yangınlara ve Patlamalara Yol Açabilir



- Yanıcı maddelere yakın yerlerde kesinlikle kaynak / kesim yapmayın. Yangın çıkabilir veya patlamalar olabilir.
- Kaynak / kesme işlemine başlamadan önce bu maddeleri ortamdan uzaklaştırın veya yanmalarını ve harlamalarını önlemek için koruyucu örtülerle üstlerini örtün.
- Bu alanlarda ulusal ve uluslararası özel kurallar geçerlidir.

- Tamamen kapalı tüplere ya da borulara kaynak / kesme işlemi uygulamayın.
- Tüp ve kapalı konteynerlere kaynak / kesme yapmadan önce bunları açın, tamamıyla boşaltıp, havalandırıp temizleyin. Bu tip yerlerde yapacağımız kaynak / kesme işlemlerinde mümkün olan en büyük dikkati gösterin.
- İşleme daha önce, patlama, yangın ya da diğer tepkimelere neden olabilecek maddeler bulunan tüp ve borulara boş dahi olsalar kaynak / kesme yapmayın.
- Kaynak / kesme işlemi esnasında yüksek sıcaklık oluşur. Bu nedenle kolay yanabilecek veya hasar görebilecek yüzeylerin üzerine yerleştirmeyin !

- Kıvılcımlar ve siçrayan parçalar yangına sebep olabilir. Bu nedenle yangın söndürücü tüp, su, kum gibi malzemeleri kolay ulaşabileceğiniz yerlerde bulundurun.
- Yanıcı, patlayıcı ve basınçlı gaz devreleri üzerinde geri tepme ventilleri, gaz regülatörleri ve vanalarını kullanın. Bunların periyodik kontrollerinin yapıpı sağlıklı çalışmasına dikkat edin.

Makine ve Aparatların Yetkisiz Kişiler Tarafından Bakım Yapılması Yaralanmalara Neden Olabilir



- Elektrikli cihazlar yetkisiz kişilere tamir ettirilmemelidir. Burada yapılabilecek hatalar kullanımda ciddi yaralanmalara veya ölümlere neden olabilir
- Gas devresi elemanları basınç altında çalışmaktadır; yetkisiz kişiler tarafından verilen servisler sonucunda patlamalar olabilir, kullanıcılar ciddi şekilde yaralanabilir.
- Makinanın ve yan birimlerinin her yıl en az bir kez teknik bakımının yaptırılması tavsiye edilir.

Küçük Hacimli Kapalı Alanlarda Kaynak / Kesme



- Küçük hacimli ve kapalı alanlarda mutlaka bir başka kişi eşliğinde kaynak / kesme işlemlerini yapın.
- Mümkün olduğu kadar bu tarz kapalı yerlerde kaynak / kesme işlemleri yapmaktan kaçınınız.

Taşıma Esnasında Gerekli Önlemlerin Alınmaması Kazalara Neden Olabilir



- Makinenin taşınmasında gerekli tüm önlemleri alınız. Taşıma yapılacak alanlar, taşımada kullanılacak parçalar ile taşımayı gerçekleştirecek kişinin fiziki koşulları ve sağlığı taşıma işlemine uygun olmalıdır.
- Bazı makineler son derece ağırdır, bu nedenle yerleri değiştirirken gerekli çevresel güvenlik önlemlerinin alındığından emin olunmalıdır.
- Makine bir platform üzerinden kullanılacaksa, bu platformun uygun yük taşıma sınırlarına sahip olduğu kontrol edilmelidir.
- Bir vasıta yardımı ile (taşıma arabası, forklift vb.) taşınacak ise vasıtanın ve makineyi vasıtaya bağlayan bağlantı noktalarının (taşıma askısı, kayış, civata, somun, tekerlek vb.) sağlamlığından emin olunuz.
- Elle taşıma işlemi gerçekleştirilecek ise Makine aparatlarının (taşıma askısı, kayış vb.) ve bağlantılarının sağlamlığından emin olunuz.
- Gerekli taşıma koşullarının sağlanması için Uluslararası Çalışma Örgütü'nün taşıma ağırlığı ile ilgili kurallarını ve ülkenizde var olan taşıma yönetmeliklerini göz önünde bulundurunuz.
- Güç kaynağının yerini değiştirirken her zaman tutamakları veya taşıma halkalarını kullanın. Asla torç, kablo veya hortumlardan çekmeyin. Gaz tüplerini mutlaka ayrı taşıyın.
- Kaynak / kesme ekipmanlarını taşımadan önce tüm ara bağlantılarını sökün, ayrı ayrı olmak üzere, küçük olanları saplarından, büyükleri ise taşıma halkalarından ya da forklift gibi uygun kaldırma ekipmanları kullanarak kaldırın ve taşıyın.

TR

Düşen Parçalar Yaralanmalara Sebep Olabilir



Güç kaynağının ya da diğer ekipmanların doğru konumlandırılmaması, kişilerde ciddi yaralanmalara ve diğer nesnelere de maddi hasara neden olabilir.

- Makinenin düşmeyecek ve devrilmeyecek şekilde maksimum 10° eğime sahip zemin ve platformlara yerleştirin. Malzeme akışına engel olmayacak, kablo ve hortumlara takılma riskinin oluşmayacağı, hareketsiz; ancak geniş, rahat havalandırılabilir, tozsuz alanları tercih edin. Gaz tüplerinin devrilmemesi için tüpe uygun gaz platformu bulunan makinelerde platformun üzerine, sabit kullanımlarda ise devrilmeyecek şekilde zincirle duvara sabitleyin.
- Operatörlerin makine üzerindeki ayarlara ve bağlantılara kolayca ulaşmasını sağlayın.

Aşırı Kullanım Makinenin Aşırı Isınmasına Neden Olur



- Çalışma çevrimi oranlarına göre makinenin soğumasına müsaade edin.
- Akımı veya çalışma çevrimi oranını tekrar kaynağa / kesmeye başlamadan önce düşürün.
- Makinenin havalandırma girişlerinin önünü kapamayın.
- Makinenin havalandırma girişlerine, üretici onayı olmadan filtre koymayın.

Ark Kaynağı Elektromanyetik Parazitlere Neden Olabilir



Bu cihaz IEC 61000 -3 - 12 uyumlu değildir. Evlerde kullanılan alçak gerilim şebekesine bağlanmak istenmesi durumunda, elektrik bağlantısını yapacak tesisatçının veya makineyi kullanacak kişinin, makinenin bağlanabilirliği konusunda bilgi sahibi olması gereklidir, bu durumda sorumluluk kullanıcıya aittir.

- Çalışma bölgesinin elektromanyetik uyumluluğa (EMC) uygun olduğundan emin olun. Kaynak / kesme işlemi esnasında oluşabilecek elektromanyetik parazitler, elektronik cihazlarınızda ve şebekenizde istenmeyen etkilere neden olabilir. İşlem sırasında oluşabilecek bu parazitlerin neden olabileceği etkiler kullanıcının sorumluluğu altındadır.
- Eğer herhangi bir parazit oluşuyorsa, uygunluğu sağlamak için; kısa kablo kullanımı, korumalı (zırhlı) kablo kullanımı, makinenin başka bir yere taşınması, kabloların etkilenen cihaz ve/veya bölgeden uzaklaştırılması, filtre kullanımı veya çalışma alanının EMC açısından korunmaya alınması gibi ekstra önlemler alınabilir.
- Olası EMC hasarlarını engellemek için kaynak / kesme işlemlerinizi hassas elektronik cihazlarınızdan mümkün olduğunca uzakta (100 m) gerçekleştirin.
- Makinenizi kullanma kılavuzuna uygun şekilde kurulum yerleştirildiğinden emin olun.

Çalışma Alanının Elektromanyetik Uygunluğunun Değerlendirilmesi



IEC 60974-9 madde 5.2'ye göre; Kaynak / kesme donanımı tesis etmeden önce, işletme yetkilisi ve / veya kullanıcı, çevredeki olası elektromanyetik parazitler hakkında bir inceleme yapmalıdır. Aşağıda belirtilen haller göz önünde bulundurulmalıdır;

- Kaynak / kesme makinesi ve donanımının üstünde, altında ve yanındaki diğer besleme kabloları, kontrol kabloları, sinyal ve telefon kabloları,
- Radio ve televizyon vericileri ve alıcıları,
- Bilgisayar ve diğer kontrol donanımı,
- Kritik güvenlik donanımı, örneğin endüstriyel donanımın korunması,
- Çevredeki insanların tıbbi aparatları, örneğin kalp pilleri ve işletme cihazları,
- Ölçme veya kalibrasyon için kullanılan donanım,
- Ortamdaki diğer donanımın bağışıklığı. Kullanıcı, çevrede kullanılmakta olan diğer donanımın uyumlu olmasını sağlamalıdır. Bu, ilave koruma önlemleri gerektirebilir,
- Kaynak / kesme işleminin gün içindeki gerçekleştirileceği zaman, göz önüne alınarak çevrenin büyüklüğü, binanın yapısına ve binada yapılmakta olan diğer faaliyetlere göre inceleme alanı sınırları genişletilebilir.

Alanın değerlendirilmesine ek olarak cihaz kurulumlarının değerlendirilmesi de bozucu etkinin çözümü için gerekli olabilir. Gerek görülmesi durumunda, yerinde ölçümler azaltıcı önlemlerin verimliliklerini onaylamak için de kullanılabilir.

(Kaynak: IEC 60974-9).

Parazit Azaltma Yöntemleri



- Cihaz tavsiye edilen şekilde ve yetkili bir kişi tarafından elektrik şebekesine bağlanmalıdır. Eğer parazit oluşursa şebekenin filtrelenmesi gibi ek önlemler uygulanabilir. Sabit montajlı ark kaynağı ekipmanının beslemesi metal bir boru içerisinden veya eşdeğer ekranlı bir kablo ile yapılmalıdır. Ekran ile güç kaynağının mahfazası bağlı olmalı ve bu iki yapı arasında iyi bir elektriksel temas sağlanmalıdır.
- Cihazın tavsiye edilen rutin bakımları yapılmalıdır. Cihaz kullanımdayken, kaportanın tüm kapakları kapalı ve / veya kilitle olmalıdır. Cihaz üzerinde üreticinin yazılı onayı olmadan standart ayarları dışında herhangi bir değişiklik, modifikasyon kesinlikle yapılamaz. Aksi durumda oluşabilecek her türlü sonuçtan kullanıcı sorumludur.
- Kaynak / kesme kabloları mümkün olduğunca kısa tutulmalıdır. Çalışma alanının zemininden yan yana olacak şekilde ilerlemelidirler. Kaynak / kesme kabloları hiçbir şekilde sarılmamalıdır.
- Kaynak / kesme esasında makinede manyetik alan oluşmaktadır. Bu durum makinenin metal parçaları kendi üzerine çekmeye sebebiyet verebilir. Bu çekimi engellemek adına metal malzemelerin güvenli mesafede veya sabitlenmiş olduğundan emin olunuz. Operatör, bütün bu birbirine bağlanmış metal malzemelerden yalıtılmalıdır.
- İş parçasının elektriksel güvenlik amacıyla veya boyutu ve pozisyonu sebebiyle toprağa bağlanmadığı durumlarda (örneğin gemi gövdesi veya çelik konstrüksiyon imalatı) iş parçası ile toprak arasında yapılacak bir bağlantı bazı durumlarda emisyonları düşürebilir. İş parçasının topraklanmasının kullanıcıların yaralanmasına veya ortamdaki diğer elektrikli ekipmanların arıza yapmasına neden olabileceği unutulmamalıdır. Gerekli hallerde iş parçası ile toprak bağlantısı doğrudan bağlantı şeklinde yapılabilir fakat doğrudan bağlantıya izin verilemeyen bazı ülkelerde bağlantı yerel düzenleme ve yönetmeliklere uygun olarak, uygun kapasite elemanları kullanılarak oluşturulabilir.
- Çalışma alanındaki diğer cihazların ve kabloların ekranlanması ve muhafazası bozucu etkilerin önüne geçilmesini sağlayabilir. Kaynak / kesme bölgesinin tamamının ekranlanması bazı özel uygulamalar için değerlendirilebilir.

Elektromanyetik Alan (EMF)



Herhangi bir iletken üzerinden geçen elektrik akımı, bölgesel elektrik ve manyetik alanlar (EMF) oluşturur.

Operatörler EMF'ye maruz kalmının sebep olduğu riski en aza indirmek için aşağıdaki prosedürleri uygulamalıdır;

- Manyetik alanı azaltmak adına kaynak / kesme kabloları bir araya getirilmeli, mümkün olduğunca birleştirici malzemelerle (bant, kablo bağı vb.) emniyet altına alınmalıdır.
- Operatörün gövdesi ve başı, kaynak / kesme makine ve kablolarından mümkün olduğunca uzakta tutulmalıdır,
- Kaynak / kesme ve elektrik kabloları vücudun etrafına hiçbir şekilde sarılmamalıdır,
- Vücut, kaynak / kesme kablolarının arasında kalmamalıdır. Kaynak / kesme kablolarının her ikisi yan yana olmak üzere vücudun uzağında tutulmalıdır,
- Dönüş kablosu iş parçasına, kaynak / kesme yapılan bölgeye mümkün olduğunca yakın bir şekilde bağlanmalıdır,
- Güç ünitesine yaslanmamalı, üzerine oturmamalı ve çok yakınında çalışılmamalıdır,
- Güç ünitesini veya tel besleme ünitesini taşıyarak kaynak / kesme işlemi yapılmamalıdır.

EMF ayrıca, kalp pilleri gibi tıbbi implantların (vücut içine yerleştirilen madde) çalışmasını bozabilir. Tıbbi implantları olan kişiler için koruyucu önlemler alınmalıdır. Örneğin, yoldan geçenler için erişim sınırlaması koyulabilir veya operatörler için bireysel risk değerlendirmeleri yapılabilir. Bir tıp uzmanı tarafından, tıbbi implantları olan kullanıcılar için risk değerlendirmesi yapıp, öneride bulunulmalıdır.

**Koruma**

- Makineyi yağmura maruz bırakmayın, üzerine su sıçramasına veya basınçlı buhar gelmesine engel olun.

Enerji Verimliliği

- Yapacağınız kaynak / kesme işlemine uygun yöntem ve makine tercihinde bulunun.
- Kaynak / kesme yapacağınız malzemeye ve kalınlığına uygun akım ve / veya gerilimi seçin.
- Kaynak / kesme yapmadan uzun süre beklenilecekse, fan makineyi soğuttuktan sonra makineyi kapatın. Akıllı fan kontrolü olan makinelerimiz kendi kendine duracaktır.

Atık Prosedürü

- Bu cihaz evsel atık değildir. Avrupa Birliği direktifi ile ulusal yasa çerçevesinde geri dönüşüme yönlendirilmek zorundadır.
- Kullanılmış makinенizin atık yönetimi hakkında satıcınızdan ve yetkili kişilerden bilgi edinin.

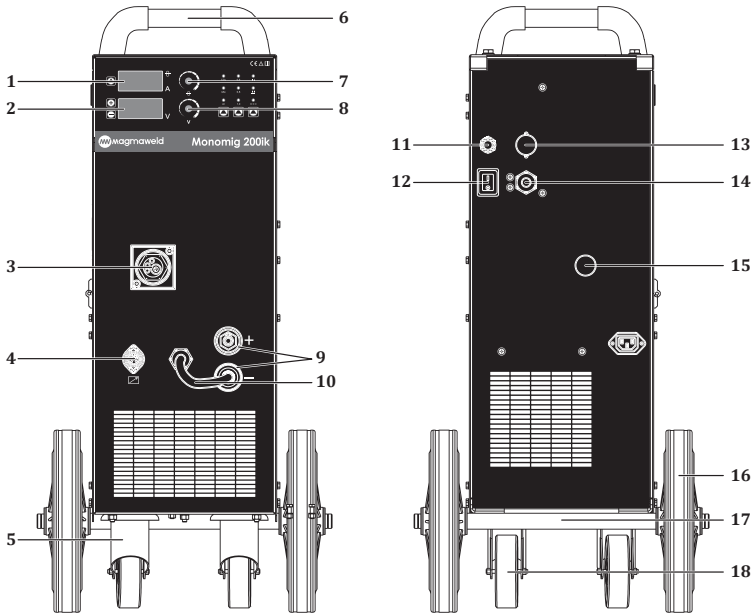


TEKNİK BİLGİLER

1.1 Genel Açıklamalar

monoMIG 200ik özellikle yoğun ince metallerin tamir uygulamalarında kullanılmak üzere tasarlanmış olan, tek fazlı, invertör yapısına sahip kompakt MIG/ MAG kaynak makinesidir. Uygun kaynak teli ve koruyucu gaz kullanıldığında, bu makineyle her tür metalin kaynağı yapılabilir. Alaşimsız çeliklerin kaynağı CO₂ altında bile düşük sıçırntı ve kararlı ark ile yapılabilir; 2 makaralı tel sürme ünitesine sahiptir. Makine fan soğutmalıdır ve aşırı ısınmalara karşı termik korumalıdır.


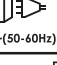
1.2 Makine Bileşenleri

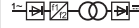


Şekil 1 : monoMIG 200ik

- | | |
|-------------------------------------|-------------------------------|
| 1- Tel Hızı Kaynak Akımı Göstergesi | 10- Kaynak Kutup Kablosu |
| 2- Set / Kaynak Voltaj Göstergesi | 11- Gaz Girişi |
| 3- Torç Kablosu Bağlantısı | 12- Açma / Kapama Anahtarı |
| 4- Spool Gun Bağlantısı | 13- Uzaktan Kumanda Girişi |
| 5- Frenli Döner Tekerlek | 14- Şebeke Kablosu |
| 6- Tutamak | 15- Bidon Tel Girişi |
| 7- Tel Hızı Ayar Düğmesi | 16- Sabit Tekerlek |
| 8- Voltaj Ayar Düğmesi | 17- Gaz Tüpü Taşıma Platformu |
| 9- Kutup Soketleri | 18- Döner Tekerlek |

1.3 Ürün Etiketi

MAGMA MEKATRONİK MAKİNE SAN. VE TİC. A.Ş. Organize Sanayi Bölgesi 5.Kısım Manisa-TÜRKİYE				
MONOMIG 200ik		Seri No :		
EN 60974-1 / EN 60974-10 / Class A				
 $U_0 = 52V$	30A / 15.5V - 200 / 24V			
	X	16%	60%	100%
	I ₂	200A	103A	80A
	U ₂	24V	19.2V	18V
	I ₁	37.4A	16.6A	12.5A
 $U_1 = 230V$ 1-(50-60Hz)	I _{max} = 37.4A		I _{eff} = 15A	
	IP21S		CE	



Tek Fazlı Transformatör Doğrultucu



Yatay Karakteristik



MIG / MAG Kaynağı



Şebeke Girişi-1 Fazlı Alternatif Akım



Tehlikeli Ortamlarda Çalışmaya Uygun



Çalışma Çevrimi



Boşta Çalışma Gerilimi



Şebeke Gerilimi ve Frekansı



Anma Kaynak Gerilimi



Şebekeden Çekilen Anma Akımı



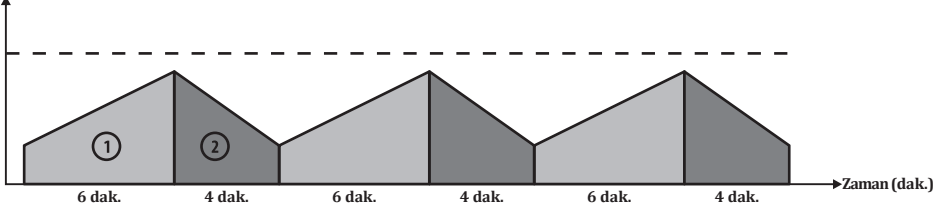
Anma Kaynak Akımı



Şebekeden Çekilen Güç

IP21S Koruma Sınıfı

Çalışma Çevrimi
Sıcaklık (C°)



EN 60974-1 standardında da tanımlandığı üzere çalışma çevrim oranı 10 dakikalık bir zaman periyodunu içerir. Örnek olarak %60'da 250A olarak belirtilen bir makinede 250A'de çalışılmak isteniyorsa, makine 10 dakikalık zaman periyodunun ilk 6 dakikasında hiç durmadan kaynak / kesme yapabilir (1 bölgesi). Ancak bunu takip eden 4 dakika makine soğuması için boşta bekletilmelidir (2 bölgesi).

1.4 Teknik Özellikler

TEKNİK ÖZELLİKLER	BİRİM	monoMIG 200ik
Şebeke Gerilimi (1-faz 50-60 Hz)	V	230
Şebekeden Çekilen Güç	kVA	8.6
Kaynak Akım Ayar Sahası	ADC	30 - 200
Anma Kaynak Akımı	ADC	200 (%16)
Maksimum Açık Devre Gerilimi	VDC	52
Boyutlar (u x g x y)	mm	888 x 455 x 870
Ağırlık	kg	48
Koruma Sınıfı		IP 21S

1.5 Aksesuarlar

STANDART AKSESUARLAR	ADET	monoMIG 200ik
Topraklama Pensesi ve Kablosu	1	7905212503 (25 mm ² - 3 m)
Gaz Hortumu	1	7907000002
OPSİYONEL AKSESUARLAR	ADET	monoMIG 200ik
Lava MIG 25 (3 m) Hava Soğutmalı MIG Torcu	1	7120020003
Gaz Regülatörü (CO ₂)	1	7020001005
Gaz Regülatörü (Mix)	1	7020001004
CO ₂ Isıtıcı (24V)	1	7020009003
Spool Gun	1	7121018006
MIG/MAG CO ₂ Aksesuar Seti*	1	7920000521
MIG/MAG Mix / Argon Aksesuar Seti*	1	7920000525

* Sipariş esnasında belirtilmelidir.

KURULUM BİLGİLERİ

2.1 Teslim Alırken Dikkat Edilecek Hususlar

Sipariş ettiğiniz tüm malzemelerin gelmiş olduğundan emin olun. Herhangi bir malzemenin eksik veya hasarlı olması halinde derhal aldığınız yer ile temasa geçin.

Standart kutu şunları içermektedir :

- Ana makine ve ona bağlı şebeke kablosu
- Topraklama pensesi ve kablosu
- Gaz hortumu
- Garanti belgesi
- Kullanım kılavuzu
- Kaynak teli

Hasarlı teslimat halinde tutanak tutun, hasarın resmini çekin, irsaliyenin fotokopisi ile birlikte nakliyeci firmaya bildirin. Sorunun devam etmesi halinde müşteri hizmetleri ile irtibata geçin.

Cihaz üzerindeki sembol ve anlamları



Kaynak yapma işlemi tehlike içermektedir. Uygun çalışma koşulları sağlanmalı ve gerekli önlemler alınmalıdır. Uzman kişiler makinede sorumlu olup, gerekli donanımları sağlamalıdır. İlgili olmayan kişiler kaynak sahasından uzak tutulmalıdır.



Bu cihaz IEC 61000-3-12 uyumlu değildir. Evlerde kullanılan alçak gerilim şebekesine bağlanmak istenmesi durumunda, elektrik bağlantısını yapacak tesisatçının veya makineyi kullanacak kişinin, makinenin bağlanabilirliği konusunda bilgi sahibi olması gereklidir; bu durumda sorumluluk kullanıcıya aittir.



Cihaz üzerinde ve kullanım kılavuzunda bulunan güvenlik sembollerine ve uyarı notlarına dikkat edilmeli, etiketleri sökülmemelidir.



İzgaralar havalandırma amaçlıdır. Açıklıkların üzeri iyi bir soğutma sağlamak amacıyla örtülmemeli ve içeriye yabancı cisim sokulmamalıdır.

2.2 Kurulum ve Çalışma Tavsiyeleri

- Makineyi taşımak için kaldırma halkaları ya da forklift kullanılmalıdır. Makineyi gaz tüpüyle birlikte kaldırmayın. Güç kaynağını düşmeyeceği ve devrilmeyeceği sert, düzgün ve eğimsiz bir zemine yerleştirin.
- Daha iyi performans için, makineyi çevresindeki nesnelere en az 30 cm uzağa yerleştirin. Makine çevresindeki aşırı ısınma, toz ve neme dikkat edin. Makineyi direk güneş ışığı altında çalıştırmayın. Ortam sıcaklığının 40°C aştığı durumlarda, makineyi daha düşük akımda ya da daha çevrim oranında çalıştırın.
- Dış mekanlarda rüzgar ve yağmur varken kaynak yapmaktan kaçının. Bu tür durumlarda kaynak yapmak zorunluysa, kaynak bölgesini ve kaynak makinesini perde ve tenteye koruyun.
- Makineyi konumlandırırken duvar, perde, pano gibi materyallerin makinenin kontrol ve bağlantılarına kolay erişimi engellemediğinden emin olun.
- İçeride kaynak yapıyorsanız, uygun bir duman emme sistemi kullanın. Kapalı mekanlarda kaynak dumanı ve gazı soluma riski varsa, solunum aparatları kullanın.
- Ürün etiketinde belirtilen çalışma çevrimi oranlarına uyun. Çalışma çevrimi oranlarını sıklıkla aşmak, makineye hasar verebilir ve bu durum garantiyi geçersiz kılabilir.
- Belirtilen sigorta değerine uygun besleme kablosu kullanılmalıdır.
- Toprak kablosunun kaynak bölgesinin olabildiğince yakınına sıkıca bağlayın. Kaynak akımının kaynak kabloları dışındaki elemanlardan, örneğin makinenin kendisi, gaz tüpü, zincir, rulman üzerinden geçmesine izin vermeyin.
- Gaz tüpü makinenin üzerine yerleştirildiğinde, derhal zinciri bağlayarak gaz tüpünü sabitleyin. Eğer gaz tüpünü makinenin üzerine yerleştirmeyeceksiniz, tüpü zincirle duvara sabitleyin.
- Makinenin arkasında yer alan elektrik prizi CO₂ ısıtıcı içindir. CO₂ prizine CO₂ ısıtıcı dışında bir cihazı kesinlikle bağlamayın !

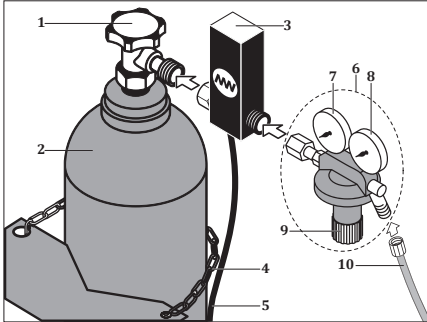
2.3 Kaynak Bağlantıları

2.3.1 Toprak Pensesini İş Parçasına Bağlama

- Standart kullanımlarda topraklama pensenizi eksi kutuba (-), kaynak kutup kablounuzu pozitif (+) kutup soketine takınız.
- Bazı tel tipleri eksi kutupta kaynak yapılmaktadır. Bu tür durumlarda topraklama pensenizi pozitif (+) kutuba, kaynak kutup kablounuzu negatif (-) kutuba bağlayınız.
- Topraklama pensenizi, kaynak yapılacak bölgeye olabildiğince yakın yerden iş parçasına sıkıca bağlayın.

2.3.2 Gaz Bağlantıları

- Eğer gaz tüpünü makine üzerindeki gaz tüpü taşıma platformu üzerinde kullanacaksanız gaz tüpünü buraya yerleştirip derhal zincirle sabitleyin.
- Eğer gaz tüpünü makine üzerine yerleştirmeyecekseniz zincirle duvara sabitleyin.
- Emniyetle çalışmak ve en iyi sonuçları elde etmek için standartlara uygun regülatör ve ısıtıcılar kullanın.
- Kullanacağınız gaz regülatörünün hortum bağlantısının ebadının 3/8 olduğundan emin olun.
- Gaz tüpü vanasını başınızı ve yüzünüzü tüp vanasının çıkışından uzak tutarak açın ve 5 sn açık tutun. Bu sayede olası tortu ve pislikler dışarı atılacaktır.
- Eğer CO₂ ısıtıcı kullanılacaksa, öncelikle CO₂ ısıtıcıyı gaz tüpüne bağlayın. Gaz regülatörünü CO₂ ısıtıcıya bağladıktan sonra CO₂ ısıtıcının fişini makinenin arkasındaki CO₂ ısıtıcı prizine takın.
- Eğer CO₂ ısıtıcı kullanılmayacaksa gaz regülatörünü gaz tüpüne bağlayın.
- Tüp hortumunun bir ucunu gaz regülatörüne bağlayın ve kelepçesini sıkın. Diğer ucunu makinenin arkasındaki gaz girişine bağlayın ve somununu sıkın.
- Gaz tüpü vanasını açarak tüpünün doluluğunu ve gaz yolunda herhangi bir sızıntı olmadığını kontrol edin. Eğer sızıntı göstergesi olarak bir ses duyar ve/veya gaz kokusu hissederseniz bağlantılarınızı gözden geçirin ve sızıntıyı ortadan kaldırın.



1- Gaz Tüpü Vanası

2- Gaz Tüpü

3- CO₂ Isıtıcı

4- Zincir

5- CO₂ Isıtıcı Enerji Kablosu

6- Gaz Regülatörü

7- Manometre

8- Debimetre

9- Debi Ayar Vanası

10- Tüp Hortumu

Şekil 2 : Gaz Tüpü - Isıtıcı - Regülatör Bağlantıları

2.3.3 Torçu Hazırlama ve Bağlama

- Torç bağlantısı Euro konnektör yapısındadır. Tüm Euro konnektör yapısına sahip standart ve spoolgun torçlar ile uyumludur. Bazı tel tipleri negatif kutupta kaynak yapılır. Makinenizde kutup değişimi yapmak için makine önünden gelen kutup kablosunu uygun kutup soketine bağlayınız.
- Torcu torç konnektörüne bağlayıp somununu iyice sıkın.

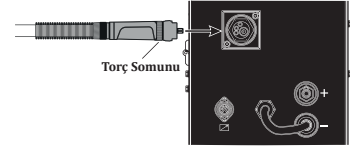
Spoolgun Bağlantısı (Konnektör)

SPOOL GUN MOTOR -	➤ LP-16-C07PE-02-001 - 7
SPOOL GUN TETİK 1 -	➤ LP-16-C07PE-02-001 - 1
SPOOL GUN MOTOR +	➤ LP-16-C07PE-02-001 - 6
SPOOL GUN TETİK 2 -	➤ LP-16-C07PE-02-001 - 2
LP-16-C07PE-02-001 - 3	➤ LP-16-C07PE-02-001 - 4
LP-16-C07PE-02-001 - 4	➤ LP-16-C07PE-02-001 - 3

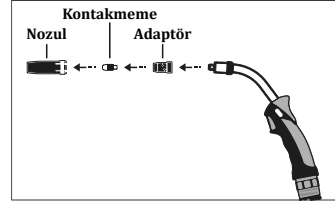
- Makinenizin kapasitesine ve yapacağınız kaynağa uygun torç kullanın.
- Torcun içindeki spiral ve kontak memenin çaplarının kullanacağınız kaynak telinin çapıyla aynı olduğundan emin olun. Gerekirse spirali ve kontak memeyi değiştirin.
- Spirali değiştirmek için; sırasıyla nozulu, kontak memeyi ve adaptörü sökün.

- Ardından, torç konnektörü tarafındaki spiral somununu anahtar yardımıyla söküp torcu düz olacak şekilde uzatın ve torcun içindeki spirali çıkartın.
- Yeni spirali torcun içine soktukten sonra, spiral somununu takıp iyice sıkın.

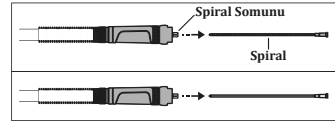
- Spiralin torç başından çıkan fazlalığını spiral ile kontak meme arasında boşluk kalmayacak şekilde aşağıdaki şekilde de görüldüğü gibi gaz dağıtıcısının (kontak meme tutucunun) hemen bittiği yerden yan keski ile kesin. Kesim yerini eyeliyerek küt ve çapaksız hale getirin.



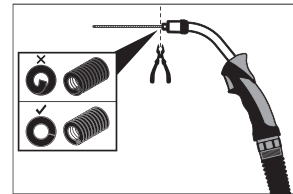
Şekil 3 : Torç Bağlantısı



Şekil 4 : Nozul ve Kontak Memenin Torçtan Ayrılması



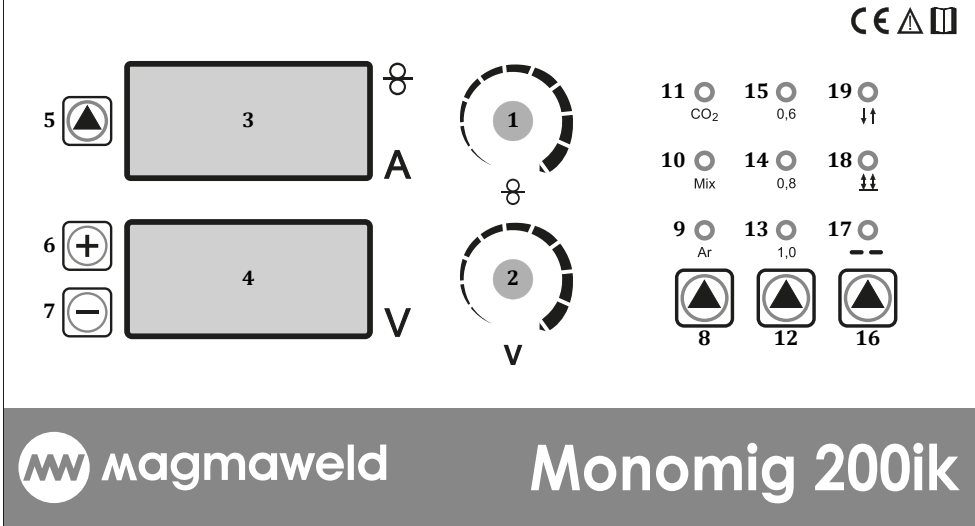
Şekil 5 : Spiralin Çıkartılması ve Takılması



Şekil 6 : Spiralin Uzantısının Kesilmesi

KULLANIM BİLGİLERİ

3.1 Kullanıcı Arayüzü



magmaweld

Monomig 200ik

1-2	Ayar Potları İstenilen kaynak için tel hızını ve voltaj değerlerini ayarlamak için kullanılır.
3-4	Dijital Panel Seçilen kaynak parametresinin sayısal değerini, kaynak esnasında akım ve voltaj, boşta tel hızı ve set voltajı değerini gösterir.
5	Alt Menü Kaynak parametre sürelerini belirlemek için, Pre 0.0/10.0 sn Ön Gaz Süresi Pos 0.0/10.0 sn Son Gaz Süresi Tof 0.2/20.0 sn Punta Pasif Süresi konumuna alabilmek için kullanılır. Brn 0.0/100 msn Geri Yanma Süresi Ton 0.2/20.0 sn Punta Aktif Süresi Crt On/Off Krater aktif veya pasif
6-7	Alt Menü Ayar Düğmeleri Seçilen menüde süreyi arttırmak ve azaltmak için kullanılır.
8	Gaz Modu Seçim Düğmesi Kaynakta kullanılacak gazı seçer. Ar gazı seçildiğinde led 9, Mix gazı seçildiğinde led 10, CO ₂ gazı seçildiğinde led 11 yanar.
12	Tel Kalınlığı Seçim Düğmesi 1.0 kalınlığında tel için led 13, 0.8 kalınlığında tel için led 14, 0.6 kalınlığında tel için led 15 yanar.
16	Tetik Modu Seçim Düğmesi 2-Konumu, 4-Konumu ve Punta konumu modlarından birini seçmek için kullanılır. 2-konumu seçildiğinde led 19, 4-konumu seçildiğinde led 18, Punta konumu seçildiğinde led 17 yanar.

3.2 Menü Yapısı

Fonksiyonların modlara göre açık veya kapalı olma durumları aşağıdaki tablodaki gibidir.

Parametre	Değer Aralığı	Fabrika Ayarı	2 Konumu MIG		4 Konumu MIG		Punta MIG	
Ön Gaz Süresi	0 - 10 sn.	1 sn.	✓	✓	✓	✓	✓	✓
Akım Skalası	30 - 200 A	30 - 200 A	✓	✓	✓	✓	✓	✓
Üst Akım	200 A	200 A	✓	✓	✓	✓	✓	✓
Alt Akım	30 A	30 A	✓	✓	✓	✓	✓	✓
Son Gaz Süresi	0 - 10 sn.	1 sn.	✓	✓	✓	✓	✓	✓
Geri Yanma Süresi	0 - 100	0 - 1 sn.	✓	✓	✓	✓	✓	✓
Punta Aktif Süresi	0.2 - 20 sn.	1 sn.					✓	✓
Punta Pasif Süresi	0.2 - 20 sn.	1 sn.					✓	✓

3.3 Şebekeye Bağlama



Makineyi şebekeye bağlamadan önce şebeke gerilimini kontrol edin.

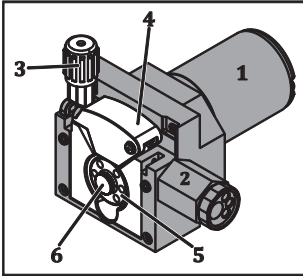


Fişi prize takarken, açma / kapama anahtarını "0" konumunda olduğundan emin olun.

- Açma / kapama anahtarı ile makineyi çalıştırın.
- Fan sesini duyduktan ve şebeke lambasının yandığına gördükten sonra açma/kapama anahtarını tekrar "0" kapalı konumuna getirerek makineyi kapatın.

3.4 Tel Sürme Makarasının Seçimi ve Değişimi

- Tel sürme bölümünün kapağını açın. 2 makaralı tel sürme sistemini göreceksiniz.



- 1- Motor
- 2- Euro Konnektör
- 3- Baskı Makarası Kolu
- 4- Baskı Makaraları
- 5- Tel Sürme Makaraları
- 6- T. S. Makaraları Vidaları

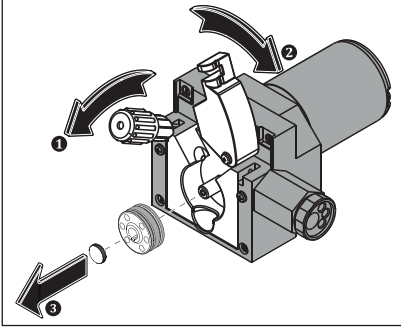
Şekil 7 : Tel Sürme Sistemi

- Kullanacağınız kaynak telinin malzemesine ve çapına uygun tel sürme makaraları kullanın. Çelik ve paslanmaz çelik için V oluklu, özlü tel için tırtıllı V oluklu, alüminyum için U oluklu tel sürme makaraları kullanın.
- Tel sürme makaralarını değiştirmeniz gerektiğinde baskı makarası kolunu kendinize doğru çekip baskı makaralarını kaldırdıktan sonra tel sürme makaralarının vidalarını sökün ve mevcut makaraları çıkartın.

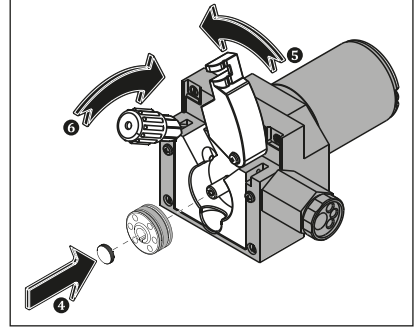


Makaraların her iki yüzü de kullanıldıkları tel çapına göre işaretlenmiştir. Makaraları kullanacağınız tel çapı değeri size bakan tarafta olacak şekilde flanşa yerleştirin.

- Kullanacağınız makaraları yerleştirdikten sonra, vidalarını tekrar takıp baskı makaralarını indirin ve baskı makarası kolunu kaldırarak baskı makaraları üzerine kilitleyin.



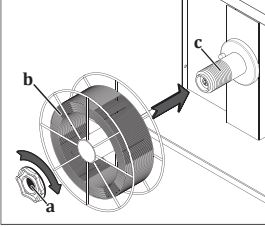
Şekil 8 : Tel Sürme Makaralarının Çıkartılması



Şekil 9 : Tel Sürme Makaralarının Yerleştirilmesi

3.5 Tel Sepetini Yerleştirme ve Teli Sürme

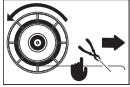
- Tel taşıma sisteminin vidasını çevirerek çıkartın. Kaynak teli makarasını tel taşıma sistemi miline geçirin ve vidayı tekrardan sıkın.



Tel taşıma sisteminin vidasının çok sıkılması telin sürülmesini engeller ve arızalara neden olabilir. Vidanın az sıkılması ise tel sürmenin durdu-ruğu anlarda tel sepetinin boşalıp bir süre sonra karışmasına neden olabilir. O nedenle, vidayı ne çok sıkı ne de çok gevşek bağlayın.

Şekil 10 : Tel Sepetini Yerleştirme

- Tel sürme makarasının üzerindeki baskı kolunu çekip aşağı indirin, yani baskı makarasını boşlayın.

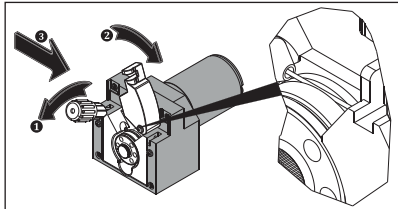


- Kaynak telini tel sepetinde bağlandığı yerden çıkartıp elinizden kaçırmadan ucunu yan keskiyle kesin.



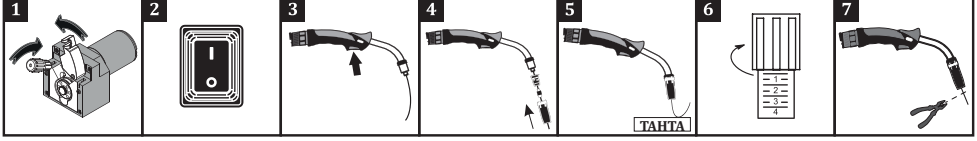
Telin ucunun kaçırılması durumunda tel bir yay gibi fırlayarak size ve çevrenizdekilere zarar verebilir.

- Teli bırakmadan tel giriş kılavuzundan geçirerek makaralara, makaralar üzerinden de torçun içine sürün.



Şekil 11 : Teli Makaraya Sürme

- Baskı makaralarını bastırıp baskı kolunu kaldırın **1**.
- Açma / Kapama anahtarını "1" konumuna getirerek makineyi çalıştırın **2**.
- Tel torç ucundan çıkana kadar tetiğe basın, bu arada kaynak teli makarasının rahat döndüğünü gözlemleyin, tetiği bir kaç kere basıp bırakarak sarımda herhangi bir gevşeme olup olmadığını kontrol edin **3**.
- Gevşeme ve/veya geri sarma gözleniyorsa, tel taşıma sisteminin vidasını biraz daha sıkın.
- Tel torç ucundan çıkınca nozulu ve kontak memeyi torca geri takın **4**.
- Teli bir tahta üzerine sürerek **5** uygun tel baskı ayarını yapın **6** ve tel ucunu kesin **7**.



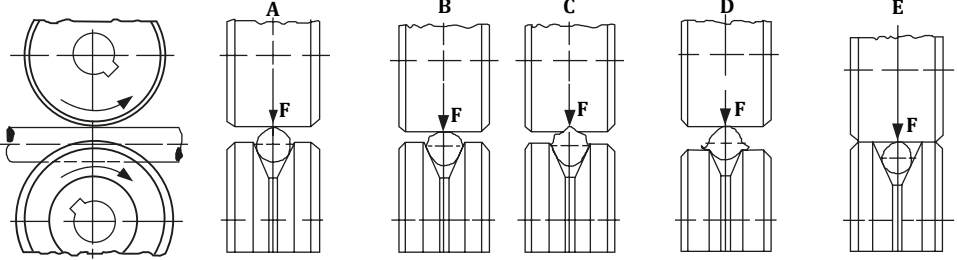
A: Uygun tel baskısı ve kanal ölçüsü

B: Baskı kolu çok sıkıştırıldığı için telin şeklinde bozulmalar oluşuyor.

C: Baskı kolu çok sıkıştırıldığı için makara yüzeyinde bozulmalar oluşuyor.

D: Makaranın kanal boyu kullanılan tel için küçük. Telin şeklinde bozulmalar oluşuyor.

E: Makaranın kanal boyu kullanılan tel için büyük. Tel kaynak bölgesine sevk edilemiyor.



Şekil 12 : Baskı Ayarı ve Makara Seçimi Hataları

3.6 Gaz Debisini Ayarlama



Gaz ayarını ve gaz testini tel sürme makarasının baskı kolunu kaldırarak yapın!

- Debi ayar vanası ile gaz debisini ayarlayın.
- Pratik gaz (CO₂, Ar, karışım) debisi oranı tel çapının 10 katıdır.
Örneğin tel çapı 1,0 mm ise, gaz debisi 1,0 x 10 = 10 lt/dak. olarak ayarlanabilir.
- Daha hassas debi ayarı için yandaki tabloyu kullanabilirsiniz.
- Gaz debisini ayarladıktan sonra baskı makarası kolunu kaldırın ve tel sürme ünitesinin kapağını kapatın.

		Alaşsız Çelik ve Metal Özlü Tel	Özlü Tel	Paslanmaz Çelik	Alüminyum
Tel Çapı (mm)	0.8	8 lt/dak.	7 lt/dak.	8 lt/dak.	8 lt/dak.
	1.0	10 lt/dak.	9 lt/dak.	10 lt/dak.	10 lt/dak.
	1.2	12 lt/dak.	11 lt/dak.	12 lt/dak.	12 lt/dak.

Not: Standart koşullarda önerilen değerlerdir.



BAKIM VE ARIZA BİLGİLERİ

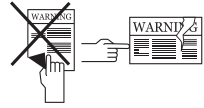
- Makineye yapılacak bakım ve onarımların mutlaka yetkin kişiler tarafından yapılması gerekmektedir. Yetkisz kişiler tarafından yapılacak müdahaleler sonucu oluşacak kazalardan firmamız sorumlu değildir.
- Onarım esnasında kullanılacak parçaları yetkili servislerimizden temin edebilirsiniz. Orijinal yedek parça kullanımı makinenizin ömrünü uzatacağı gibi performans kayıplarını engeller.
- Her zaman üreticiye veya üretici tarafından belirtilen yetkili bir servise başvurun.
- Garanti süresi içerisinde üretici tarafından yetkilendirilmemiş herhangi bir girişiminde tüm garanti hükümleri geçersiz olacaktır.
- Geçerli güvenlik kurallarına bakım onarım işlemleri sırasında mutlaka uyunuz.
- Tamir için makinenin herhangi bir işlem yapılmadan önce, makinenin elektrik fişini şebekeden ayırınız ve kondansatörlerin boşalması için 10 saniye bekleyiniz.

4.1 Bakım



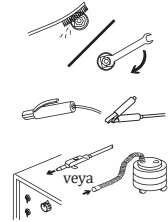
3 Ayda Bir

- Cihaz üzerindeki uyarı etiketlerini sökmeyiniz. Yıpranmış / yırtılmış etiketleri yenisi ile değiştiriniz. Etiketleri yetkili servisten temin edebilirsiniz.
- Torcun, penselerin ve kablolarımızın kontrolünü yapınız. Parçaların bağlantılarına ve sağlamlığına dikkat ediniz. Hasar görmüş / arızalı parçaları yenisi ile değiştiriniz. Kablolara ek / onarım kesinlikle yapmayınız.
- Havalandırma için yeterli alan olduğuna emin olunuz.
- Kaynağa başlamadan önce torcun ucundan çıkan gaz debisini debimetre ile kontrol ediniz. Gazın debisi yüksek veya düşük ise yapılacak kaynağa uygun seviyeye getiriniz.



6 Ayda Bir

- Civata, somun gibi birleştirici parçaları temizleyiniz ve sıkıştırınız.
- Elektrod pensesi ve toprak pensesi kablolarını kontrol ediniz.
- Makinenin yan kapaklarını açarak düşük basınçlı kuru hava ile temizleyiniz. Elektronik parçalara yakın mesafeden basınçlı hava uygulamayınız.
- Su soğutma ünitesinin deposundaki su periyodik aralıklarla sert olmayan, temiz bir su ile yenileyin ve donmaya karşı antifriz ile koruyun.



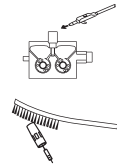
NOT: Yukarıda belirtilen süreler, cihazınızda hiçbir sorunla karşılaşmaması durumunda uygulanması gereken maksimum periyotlardır. Çalışma ortamınızın yoğunluğuna ve kirliliğine göre yukarıda belirtilen işlemleri daha sık aralıklarla tekrarlayabilirsiniz.



Asla kaynak makinesinin kapakları açıkken kaynak yapmayın.

4.2 Periyodik Olmayan Bakım

- Tel Sürme Mekanizması temiz tutulmalı ve makara yüzeyleri kesinlikle yağlanmamalı.
- Her kaynak teli değişiminde mutlaka mekanizma üzerinde biriken kalıntıları kuru hava yardımıyla temizleyin.
- Torç üzerindeki sarf malzemeler düzenli olarak temizlenmeli. Eğer gerekiyorsa değiştirilmeli. Bu malzemelerin uzun süreli kullanılması için orijinal ürünler olmasına dikkat edin.



4.3 Hata Giderme

Aşağıdaki tablolarda karşılaşılan olası hatalar ve çözüm önerileri bulunmaktadır:

Arıza	Neden	Çözüm
Makine çalışmıyor	• Makine şebekeye bağlı değil, yada fişi takılı değil	• Makinenin fişinin prize takılı olduğundan emin olun
	• Şebeke bağlantıları doğru değil	• Şebeke bağlantılarının doğru olduğunu kontrol ediniz
	• Şebeke besleme sigortaları, şebeke kablosu veya fişi sorunlu	• Şebeke beslenme sigortalarını, şebeke kablosunu ve fişini kontrol ediniz
	• Sigorta atık	• Sigortayı kontrol ediniz
	• Kontaktör arızalı	• Konnektörü kontrol ediniz
Tel sürme motoru çalışmıyor	• Sigorta atık	• Sigortayı kontrol ediniz
	• Elektronik kart arızalı	• Yetkili servis ile iletişime geçiniz
Tel sürme motoru çalışıyor, fakat tel ilerlemiyor	• Tel sürme makaraları tel çapına uygun seçilmemiş	• Uygun tel sürme makarası seçiniz
	• Tel sürme makaralarındaki baskı çok az	• Baskı makarasını ayarlayınız
İyi kaynak yapılmıyor	• Makinenin topraklama pensesinin parçasına bağlantısında sorun var	• Makinenin topraklama pensesinin iş parçasına bağlı olduğunda emin olunuz
	• Kablolar ve bağlantı noktaları aşınmış	• Kabloların sağlamlığından ve bağlantı noktalarının aşınmamış olduğundan emin olunuz
	• Parametre ve proses seçimi hatalı	• Parametre ve proses seçiminin doğru olduğundan emin olunuz. Seçtiğiniz prosese göre aşağıdaki adımları uygulayınız
	• Gaz akışının açık değil veya hatalı	• Gaz akışının açık olduğunu kontrol ediniz, akışın doğru olduğundan emin olunuz
	• Kaynak torcu hasarlı	• Kaynak torcunun sağlamlığından emin olunuz
	• Sarf malzemeler hatalı seçilmiş veya tahribat görmüş	• Uygun sarf malzeme seçilmeli ve torç üzerindeki sarf malzemeler düzenli olarak temizlenmelidir. Hatalı seçilmiş veya aşınmış sarf malzemeler değiştirilmelidir
	• Baskı makaralarının baskı ayarı doğru değil	• Baskı makara ayarları doğru şekilde yapılmalıdır

Arıza	Neden	Çözüm
Fan çalışmıyor	• Sigorta atık	• Sigortayı kontrol ediniz
	• Fan motoru arızalı	• Yetkili servis ile iletişime geçiniz
Makine gürültülü çalışıyor	• Kontaktör arızalı	• Yetkili servis ile iletişime geçiniz
Kaynak akımı kararlı değil ve/veya ayarlanmıyor	• Diyot grubu arızalı	• Yetkili servis ile iletişime geçiniz
Isıtıcı priz çalışmıyor	• Sigorta atık	• Sigortayı kontrol ediniz. Yetkili servis ile iletişime geçiniz

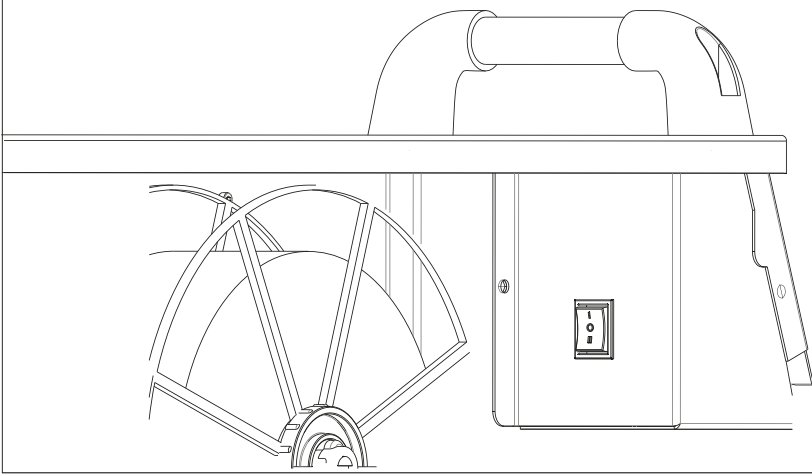
4.4 Hata Kodları

Hata Kodu	Hata
TRR ERR	Termik Hatası
ERR OC1	Seconder Aşırı Akım Hatası
ERR OC2	Primer Aşırı Akım
ERR OC3	Maksimum Tel Sürme Hatası

EKLER

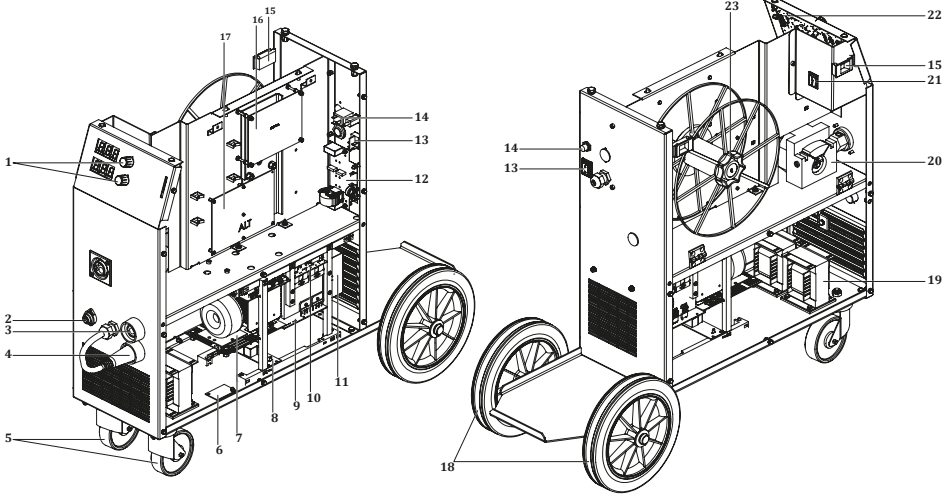
5.1 Tel Sürme Ünitesi İçinde Yer Alan İnce Ayarlar

- 1- Serbest Tel Sürme Düğmesi :** Düğmeye basılı tutulduğu sürece tel sürülür, gaz ventili çalışmaz. Bu düğmeyi teli torca sürmek için kullanabilirsiniz.
- 2- Serbest Gaz Düğmesi :** Düğmeye basılı tutulduğu sürece gaz akışı sağlanır, tel sürme çalışmaz. Bu düğmeyi gaz değişikliğinden sonra sistemdeki gazın değişmesi için kullanabilirsiniz.



5.2 Yedek Parça Listeleri

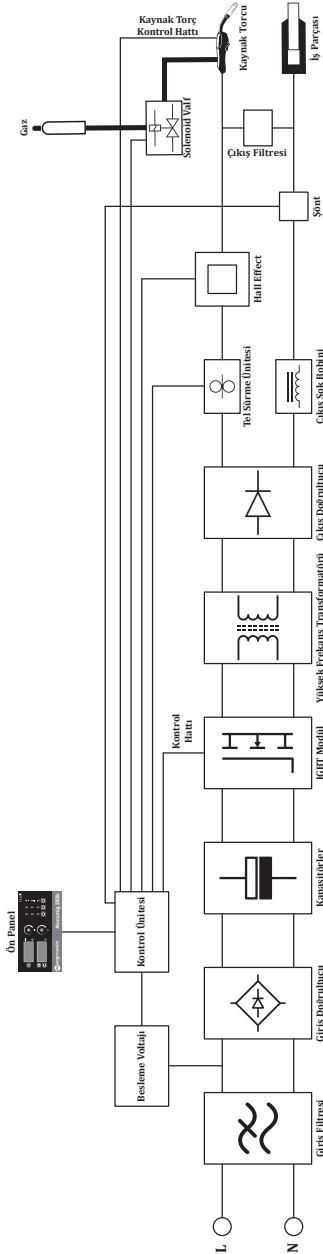
TR



NO	TANIM	monoMIG 200ik
1	Potans Düğmesi Küçük	A229500001
2	Konnektör	A378000007
3	Kaynak Prizi	A377900106
4	Kaynak Fişi	A377900006
5	Sac Döner Tekerlek (Delikli)	A225100013
6	Elektronik Kart-E205 FLT V1.0	K405000166
7	Elektronik Kart-E203A PWR V43	K405000215
8	Elektronik Kart-E205A-RL V1.2	K405000212
9	Elektronik Kart-E203A AC PWR V43	K405000226
10	Elektronik Kart-E205A PWR V31	K405000241
11	Fan Monofaz	A250001024
12	Elektronik Kart-E203A FLT V40 200IK	K405000242
13	Açma Kapama Anahtarı (Işıklı)	A310100008
14	Gaz Ventili	A253006019
15	Kapak Kilidi	A229300006
16	Elektronik Kart-E121A V11 AC	K405000164
17	Elektronik Kart-E205A CNT V31	K405000165
18	Plastik Tekerlek 250x50x20	A225222010
19	Şok Bobin	K304500113
20	Tel Sürme Sistemi	K309002204
21	Açma Kapama Anahtarı	A310100010
22	Elektronik Kart-E305A V21	K405000169
23	Tel.Tas.Mak.Sistemi-3Lü Bağlantı	A229900003
	Membran Etiket	K109900031
	Hall Effect Sensör	A834000001
	Şönt	A833000002

5.3 Bağlantı Şemaları

Blok Diyagram



MAGMA MEKATRONİK MAKİNE SANAYİ VE TİCARET A.Ş.

www.magmaweld.com

DECLARATION OF CONFORMITY UYGUNLUK DEKLARASYONU



Company / Firma

Magma Mekatronik Makine Sanayi ve Ticaret A.Ş.
Organize Sanayi Bölgesi 5. Kısım Yalçın Özaras Caddesi No:1 45030 Manisa / TÜRKİYE

Factory / Fabrika

Magma Mekatronik Makine Sanayi ve Ticaret A.Ş.
Organize Sanayi Bölgesi 5. Kısım Yalçın Özaras Caddesi No:1 45030 Manisa / TÜRKİYE

The Product / Ürün

Appropriate for professional and industrial usage.
MONOMIG 200ik 200Amp (%16) MIG/MAG Welding Machine

Profesyonel ve endüstriyel kullanıma uygun
MONOMIG 200ik 200Amp (%16) MIG/MAG Kaynak Makinesi

Date of assessment / Değerlendirme Tarihi

18.11.2019

European Standard / Avrupa Standartı

EN IEC 60974-1:2018 , EN 60974-10:2014

Meet the requirements of the European Directive

Gereklilikler Karşılanan Avrupa Direktifleri

EMC Directive 2014/30/EU - LVD Directive 2014/35/EU

Magma Mekatronik Makine Industry and Trade Co. We declare that the above mentioned products comply with the standard. This declaration will loose its validity in case of modification on the welding machine without our written authorization.

Magma Mekatronik Makine Sanayi ve Ticaret A.Ş. olarak yukarıda geçen ürünün standartlara uygun olduğunu beyan ederiz. Yazılı iznimiz olmaksızın makine üzerinde yapılan değişiklikler bu belgeyi geçersiz kılacaktır.

Date of issue / Yayın Tarihi

Manisa - 12.10.2021

Barış Özgür TUĞGAN
Ar-Ge Müdürü / R&D Manager



ЕВРАЗИЙСКИЙ ЭКОНОМИЧЕСКИЙ СОЮЗ ДЕКЛАРАЦИЯ О СООТВЕТСТВИИ

Заявитель Общество с ограниченной ответственностью "МАГМАВЭЛД СПб"

Место нахождения и адрес места осуществления деятельности: 191124, Россия, город Санкт-Петербург, улица Ставропольская, Дом 10, Литера А, Помещение 217

Основной государственный регистрационный номер 1187847141503.

Телефон: +78123317470 Адрес электронной почты: magmaweld@inbox.ru

в лице Генерального директора Гавшинского Андрея Львовича

заявляет, что Оборудование для сварки и газотермического напыления: аппараты для дуговой сварки модели:

MINISTICK, MINISTICK DELUXE, MEGASTICK, MEGASTICK DELUXE, ID 800E, MONOSTICK 165i, MONOSTICK 200i, PROSTICK 200i, ID 250 E, ID 300 E, ID 350 E, ID 400 E, RD 500 E, RD 650 E, GL 451, TD 355, GL 600, ID 250E BASIC, MONOTIG 160i BASIC, MONOTIG 160i, MONOTIG 200i, MONOTIG 160ip, MONOTIG 220ip, MONOTIG 220ip AC/DC, ID 250 T DC, ID 300 T DC, ID 250 T DC PULSE, ID 300 T DC PULSE, ID 250 TW DC, ID 300 TW DC, ID 250 TW DC PULSE, ID 300 TW DC PULSE, ID 300 T AC/DC PULSE, ID 300 TW AC/DC PULSE, ID 500TW DC PULSE, ID 500TW AC/DC PULSE, MONOMIG 200ik, ID 300 M, MEGAMIG, RS 65 PCA, ID 65 PCB, ID 300 M SMART, ID 300 M PULSE SMART, ID 300 M EXPERT, ID 300 M PULSE EXPERT, ID 300 MW SMART, ID 300 MW PULSE SMART, ID 300 MW EXPERT, ID 300 MW PULSE EXPERT, ID 400 M SMART, ID 400 M PULSE SMART, ID 400 M EXPERT, ID 400 M PULSE EXPERT, ID 400 MW SMART, ID 400 MW PULSE SMART, ID 400 MW EXPERT, ID 400 MW PULSE EXPERT, ID 500 M SMART, ID 500 M PULSE SMART, ID 500 M EXPERT, ID 500 M PULSE EXPERT, ID 500 MW SMART, ID 500 MW PULSE SMART, ID 500 MW EXPERT, ID 500 MW PULSE EXPERT, ID 300 MK SMART, ID 300 MK PULSE SMART, ID 300 MK EXPERT, ID 300 MK PULSE EXPERT, ID 300 MKW SMART, ID 300 MKW PULSE SMART, ID 300 MKW EXPERT, ID 300 MKW PULSE EXPERT, ID 400 MK SMART, ID 400 MK PULSE SMART, ID 400 MK EXPERT, ID 400 MK PULSE EXPERT, ID 400 MKW SMART, ID 400 MKW PULSE SMART, ID 400 MKW EXPERT, ID 400 MKW PULSE EXPERT, RS 200 MK, RS 250 M, RS 250 MK, RS 300 M, RS 300 MK, RS 350 M, RS 350 M PRO, RS 350MK PRO, RS 350MW PRO, RS 350 MW, RS 350 MK, RS 400 M, RS 400 MW, RS 400 MK, RS 450M PRO, RS 450 MW PRO, RS 500 M, RS 500 MW, RS 550 M PRO, RS 550 MW PRO, RD 650 MW.

Изготовитель "Magma Mekatronik Makine Sanayi ve Ticaret A.S."

Место нахождения и адрес места осуществления деятельности по изготовлению продукции: Турция, Organize Sanayi Bölgesi, 5.Kisim, 45030 Manisa

Филиал: "MAGMAWELD ULUSLARARASI TICARET A.S." Турция, Dereboyu Cad. Bilim Sok. Sun Plaza 5/7 Maslak, 34398 Istanbul Продукция изготовлена в соответствии с Директивой 2014/35/EU

"Низковольтное оборудование", Директивой 2014/30/EU "Электромагнитная совместимость", Директивой 2006/42/ЕС "Безопасность машин и оборудования".

Код (коды) ТН ВЭД ЕАЭС: 8515391800

Серийный выпуск.

соответствует требованиям

Технического регламента Таможенного союза ТР ТС 004/2011 "О безопасности низковольтного оборудования"

Технического регламента Таможенного союза ТР ТС 010/2011 "О безопасности машин и оборудования"

Технического регламента Таможенного союза ТР ТС 020/2011 "Электромагнитная совместимость технических средств"

Декларация о соответствии принята на основании

Протокола испытаний № 00501/ТС/072021 от 07.07.2021 года, выданного Испытательной лабораторией ООО «ТЕХНОСИИ» (регистрационный номер аттестата аккредитации RU.SSK4.04ЕЛКО)

Схема декларирования соответствия: Id

Дополнительная информация

Условия хранения: продукция хранится в сухих, проветриваемых складских помещениях при температуре от 0 °С до +30 °С, при относительной влажности воздуха не более 80 %. Срок хранения: изготовителем не установлен. Срок службы: 5 лет.

Декларация о соответствии действительна с даты регистрации по 11.07.2024 включительно


(подпись)

Гавшинский Андрей Львович

(Ф.И.О. заявителя)

Регистрационный номер декларации о соответствии: ЕАЭС N RU Д-TR.PA01B.00558/21

Дата регистрации декларации о соответствии: 14.07.2021





YETKİLİ SERVİSLER

MERKEZ SERVİS

Organize Sanayi Bölgesi, 5. Kısım 45030 MANİSA

Telefon : 444 93 53

E-Posta : info@magmaweld.com

YETKİLİ SERVİSLER



Güncel servis listemiz için www.magmaweld.com.tr/servis-listesi web sitemizi ziyaret ediniz.

Magma Mekatronik Makine Sanayi ve Ticaret A.Ş.
Organize Sanayi Bölgesi, 5. Kısım 45030 Manisa, TÜRKİYE

T: (236) 226 27 00

F: (236) 226 27 28

01.08.2022

UM_MONOM200_082022_082022_001_84



(+90) 444 93 53
magmaweld.com
info@magmaweld.com