



## USER MANUAL

*monoTIG 160i*  
*monoTIG 200i*



(+90) 444 93 53  
magmaweld.com  
info@magmaweld.com

 (+90) 538 927 12 62

*All rights reserved. It is prohibited to reproduce this documentation, or any part thereof, without the prior written authorisation of Magma Mekatronik Makine Sanayi ve Ticaret A.Ş.*  
*Magma Mekatronik may modify the information and the images without any prior notice.*  
*Tüm hakları saklıdır. Magma Mekatronik Makine Sanayi ve Ticaret A.Ş.'nin yazılı izni olmaksızın bu dokümanın tamamının ya da bir bölümünün kopyalanması yasaktır.*  
*Magma Mekatronik önceden haber vermeksizin bilgilerde ve resimlerde değişiklik yapılabilir.*

**INVERTER TIG WELDING MACHINE**

**EN**

**ИНВЕРТОРНАЯ СВАРКА TIG**

**RU**

**İNVERTER TIG KAYNAK MAKİNASI**

**TR**



**EN 60974-1**

**EN 60974 -10**



 **CONTENTS**

SAFETY PRECAUTIONS	5
<b>1 TECHNICAL INFORMATION</b>	
1.1 General Information	11
1.2 Machine Components	11
1.3 Product Label	12
1.4 Technical Data	13
1.5 Accessories	13
<b>2 INSTALLATION</b>	
2.1 Delivery Control	14
2.2 Installation and Operation Recommendations	14
2.3 Connections for TIG Welding	15
2.3.1 Connection to Mains	15
2.3.2 Gas Connections	15
2.3.3 Preparing the Torch Connections	16
2.3.4 Torch Connections	16
2.3.5 Earth Clamp Connections	16
2.3.6 Changing the Tungsten Electrode	17
2.4 Connections for MMA Welding	17
<b>3 OPERATION</b>	
3.1 User Interface	18
3.2 TIG Cycle	19
3.3 Menu Structure	19
3.3.1 TIG Welding Process	19
3.3.2 Usage of the TIG Welding Trigger	20
3.3.3 MMA Welding Process	20
<b>4 MAINTENANCE AND SERVICE</b>	
4.1 Maintenance	21
4.2 Troubleshooting	22
4.3 Error Codes	22
<b>5 ANNEX</b>	
5.1 Spare Parts List	23
5.2 Connection Diagrams	26

## SAFETY PRECAUTIONS

*Be Sure To Follow All Safety Rules In This Manual!*

### Explanation Of Safety Information



- Safety symbols found in the manual are used to identify potential hazards.
- When any one of the safety symbols are seen in this manual, it must be understood that there is a risk of injury and the following instructions should be read carefully to avoid potential hazards.
- The possessor of the machine is responsible for preventing unauthorized persons from accessing the equipment.
- Persons using the machine must be experienced or fully trained in welding / cutting they have to read the user manual before operation and follow the safety instructions.

### Explanation Of Safety Symbols



#### ATTENTION

Indicates a potentially hazardous situation that could cause injury or damage. In case if no precaution is taken, it may cause injuries or material losses / damages.



#### IMPORTANT

Specifies notifications and alerts on how to operate the machine.



#### DANGER

Indicates a serious danger. In case if not avoided, severe or fatal injuries may occur.

### Comprehending Safety Precautions



- Read the user manual, the label on the machine and the safety instructions carefully.
- Make sure that the warning labels on the machine are in good condition. Replace missing and damaged labels.
- Learn how to operate the machine, how to make the checks in a correct manner.
- Use your machine in suitable working environments.
- Improper changes made in your machine will negatively affect the safe operation and its longevity.
- The manufacturer is not responsible for the consequences resulting from the operation of the device beyond the specified conditions.

### Electric Shocks May Kill



*Make certain that the installation procedures comply with national electrical standards and other relevant regulations, and ensure that the machine is installed by authorized persons.*

- Wear dry and sturdy insulated gloves and working apron. Never use wet or damaged gloves and working aprons.
- Wear flame-resistant protective clothing against the risk of burning. The clothing used by the operator must be protective against sparks, splashing and arc radiation.
- Do not work alone. In case of a danger make sure you have someone for help in your working environment.
- Do not touch the electrode with the bare hand. Do not allow the electrode holder or electrode to come in contact with any other person or any grounded object.
- Never touch parts that carry electricity.
- Never touch the electrode if you are in contact with the electrode attached to the work surface, floor or another machine.
- By isolating yourself from the work surface and the floor, you can protect yourself from possible electric shocks. Use a non-flammable, electrically insulating, dry and undamaged insulation material that is large enough to cut off the operator's contact with the work surface.
- Do not connect more than one electrode to the electrode holder.
- Clamp work cable with good metal-to-metal contact to workpiece or worktable as near the weld as practical.
- Check the torch before operating the machine. Make sure the torch and its cables are in good condition. Always replace a damaged, worn torch.
- Do not touch electrode holders connected to two machines at the same time since double open-circuit voltage will be present.
- Keep the machine turned off and disconnect cables when not in use.
- Before repairing the machine, remove all power connections and / or connector plugs or turn off the machine.
- Be careful when using a long mains cable.

- Make sure all connections are tight, clean, and dry.
  - Keep cables dry, free of oil and grease, and protected from hot metal and sparks.
  - Bare wiring can kill. Check all cables frequently for possible damage. If a damaged or an uninsulated cable is detected, repair or replace it immediately.
  - Insulate work clamp when not connected to workpiece to prevent contact with any metal object.
  - Make sure that the grounding of the power line is properly connected.
  - Do not use AC weld output in damp, wet, or confined spaces, or if there is a danger of falling.
  - Use AC output **ONLY** if required for the welding process.
  - If AC output is required, use remote output control if present on unit.
- Additional safety precautions are required when any of the following electrically hazardous conditions are present :**
- in damp locations or while wearing wet clothing,
  - on metal structures such as floors, gratings, or scaffolds,
  - when in cramped positions such as sitting, kneeling, or lying,
  - when there is a high risk of unavoidable or accidental contact with the workpiece or ground.
- For these conditions, use the following equipment in order presented:
- Semiautomatic DC constant voltage (CV) MIG welding machine,
  - DC manual MMA welding machine,
  - DC or AC welding machine with reduced open-circuit voltage (VRD), if available.

#### Procedures for Electric Shock



- Turn off the electric power.
- Use non-conducting material, such as dry wood, to free the victim from contact with live parts or wires.
- Call for emergency services.

#### If you have first aid training;

- If the victim is not breathing, Administer cardiopulmonary resuscitation (CPR) immediately after breaking contact with the electrical source. Continue CPR (cardiac massage) until breathing starts or until help arrives.
- Where an automatic electronic defibrillator (AED) is available, use according to instructions.
- Treat an electrical burn as a thermal burn by applying sterile, cold (iced) compresses. Prevent contamination, and cover with a clean, dry dressing.

#### Moving Parts May Cause Injuries



- Keep away from the moving parts.
- Keep all protective devices such as covers, panels, flaps, etc., of machinery and equipment closed and in locked position.
- Wear metal toe shoes against the possibility of heavy objects falling on to your feet.

#### Fumes and Gases May Be Harmful To Your Health



**Long-term inhalation of fumes and gases released from welding / cutting is very dangerous.**

- Burning sensations and irritations in the eyes, nose and throat are signs of inadequate ventilation. In such a case, immediately boost the ventilation of the work area, and if the problem persists, stop the welding / cutting process completely.
- Create a natural or artificial ventilation system in the work area.
- Use a suitable fume extraction system where welding / cutting works are being carried out. If necessary, install a system that can expel fumes and gases accumulated in the entire workshop. Use a suitable filtration system to avoid polluting the environment during discharge.
- If you are working in narrow and confined spaces or if you are welding lead, beryllium, cadmium, zinc, coated or painted materials, use masks that provide fresh air in addition to the above precautions.
- If the gas tanks are grouped in a separate zone, ensure that they are well ventilated, keep the main valves closed when gas cylinders are not in use, pay attention to possible gas leaks.
- Shielding gases such as argon are denser than air and can be inhaled instead of air if used in confined spaces. This is dangerous for your health as well.
- Do not perform welding / cutting operations in the presence of chlorinated hydrocarbon vapors released during lubrication or painting operations.
- Some welded / cut parts require special ventilation. The safety rules of products that require special ventilation should be read carefully. A suitable gas mask should be worn when necessary.

**Arc Light May Damage Your Eyes and Skin**

- Use a standard protective mask and a suitable glass filter to protect your eyes and face.
- Protect other naked parts of your body (arms, neck, ears, etc.) with suitable protective clothing from these rays.
- Enclose your work area with flame-resistant folding screens and hang warning signs at eye level so that people around you will not sustain injuries from arc rays and hot metals.
- This machine is not used for heating of icebound pipes. This operation performed with the welding / cutting machine causes explosion, fire or damage to your installation.

**Sparks and Spattering Particles May Get Into Eyes and Cause Damage**

- Performing works such as welding / cutting, surface grinding, and brushing cause sparks and metal particles to splatter. Wear approved protective work goggles which have edge guards under the welding masks to prevent sustaining possible injuries.

**Hot Parts May Cause Severe Burns**

- Do not touch the hot parts with bare hands.
- Wait until the time required for the machine to cool down before working on its parts.
- If you need to hold hot parts, use suitable tools, welding / cutting gloves with high-level thermal insulation and fire-resistant clothes.

**Noise May Cause Damage To Your Hearing Ability**

- The noise generated by some equipment and operations may damage your hearing ability.
- Wear approved personal ear protective equipment if the noise level is high.

**Welding Wires Can Cause Injuries**

- Do not point the torch towards any part of the body, other persons, or any metal while unwrapping the welding / cutting wire.
- When welding wire is run manually from the roller especially in thin diameters the wire can slip out of your hand, like a spring or can cause damage to you or other people around, therefore you must protect your eyes and face while working on this.

**Welding Operations May Cause Fire and Explosion**

- Never perform welding / cutting work in places near flammable materials. There may be fire or explosions.
- Before starting the welding / cutting work, remove these materials from the environment or cover them with protective covers to prevent combustions and flaring.
- National and international special rules apply in these areas.
- Do not apply welding / cutting operations into completely closed tanks or pipes.
- Before welding to tanks and closed containers, open them, completely empty them, and clean them. Pay the greatest attention possible to the welding / cutting operations you will perform in such places.
- Do not weld in tanks and pipes which might have previously contained substances that may cause explosions, fires or other reactions.
- Welding / cutting equipment heats up. For this reason, do not place it on surfaces that could easily burn or be damaged !
- Sparks and splashing parts may cause a fire. For this reason, keep materials such as fire extinguishers tubes, water, and sand in easily accessible places.
- Use holding valves, gas regulators and valves on flammable, explosive and compressed gas circuits. Make sure that they are periodically inspected and pay attention that they run reliably.

**Maintenance Work Performed by Unauthorized Persons To Machines and Apparatus May Cause Injuries**

- Electrical equipment should not be repaired by unauthorized persons. Errors occurred if failed to do so may result in serious injury or death when using the equipment.
- The gas circuit elements operate under pressure; explosions may occur as a result of services provided by unauthorized persons, users may sustain serious injuries.
- It is recommended to perform technical maintenance of the machine and its auxiliary units at least once a year.

- Welding / Cutting in Small Sized and Confined Spaces**
- In small-sized and confined spaces, absolutely make sure to perform welding / cutting operations, accompanied by another person.
  - Avoid performing welding / cutting operations in such enclosed areas as much as possible.



- Failure To Take Precautions During Transport May Cause Accidents**
- Take all necessary precautions when moving the machine. The areas where the machine to be transported, parts to be used in transportation and the physical conditions and health of the person carrying out the transportation works should be suitable for the transportation process.
  - Some machines are extremely heavy; therefore, make sure that the necessary environmental safety measures are taken when changing their places.



- If the machine is to be used on a platform, it must be checked that this platform has suitable load bearing limits.
- If it is to be transported by means of a haulage vehicle (transport trolley, forklift etc.), make sure of the durability of the vehicle, and the connection points (carrying suspenders, straps, bolts, nuts, wheels, etc.) that connect the machine to this vehicle.
- If the machine will be carried manually, make sure the durability of the machine apparatuses (carrying suspenders, straps, etc.) and connections.
- Observe the International Labor Organization's rules on carriage weights and the transport regulations in force in your country in order to ensure the necessary transport conditions.
- Always use handles or carrying rings when relocating the power-supply sources. Never pull from torches, cables or hoses. Be absolutely sure to carry gas cylinders separately.
- Remove all interconnections before transporting the welding / cutting equipment, each being separately, lift and transport small ones using its handles, and the big ones from its handling rings or by using appropriate haulage equipment, such as forklifts.

**Falling Parts May Cause Injuries**



*Improper positioning of the power-supply sources or other equipment can cause serious injury to persons and physical damage to other objects.*

- Place your machine on the floor and platforms with a maximum tilt of 10° so that it does not fall or tip over. Choose places that do not interfere with the flow of materials, where there is no risk of tripping over on cables and hoses; yet, large, easily ventilatable, dust-free areas. To prevent gas cylinders from tipping over, on machines with a gas platform suitable for the tanks, fix the tanks on to the platform; in stationary usage applications, fix them to the wall with a chain in a way that they would not tip over for sure.
- Allow operators to easily access settings and connections on the machine.

**Excessive Use Of The Machine Causes Overheating**



- Allow the machine to cool down according to operation cycle rates.
- Reduce the current or operation cycle rate before starting the welding / cutting again.
- Do not block the fronts of air vents of the machines.
- Do not put filters that do not have manufacturer approvals into the machine's ventilation ports.

**Excessive Use Of The Machine Causes Overheating**



- This device is in group 2, class A in EMC tests according to TS EN 55011 standard.
- This class A device is not intended for use in residential areas where electrical power is supplied from a low-voltage power supply. There may be potential difficulties in providing electromagnetic compatibility due to radio frequency interference transmitted and emitted in such places.



This device is not compliant with IEC 61000 -3-12. In case if it is desired to be connected to the low voltage network used in the home, the installer to make the electrical connection or the person who will use the machine must be aware that the machine has been connected in such a manner; in this case the responsibility belongs to the user.

- Make sure that the work area complies with electromagnetic compatibility (EMC). Electromagnetic interferences during welding / cutting operations may cause undesired effects on your electronic devices and network; and the effects of these interferences that may occur during these operations are under the responsibility of the user.
- If there is any interference, to ensure compliance; extra measures may be taken, such as the use of short cables, use of shielded (armored) cables, transportation of the welding machine to another location, removal of cables from the affected device and / or area, use of filters or taking the work area under protection in terms of EMC.
- To avoid possible EMC damage, make sure to perform your welding / cutting operations as far away from your sensitive electronic devices as possible (100 m).



- Ensure that your welding and/or cutting machine has been installed and situated in its place according to the user manual.

**Evaluation Of Electromagnetic Suitability Of The Work Area**



**According to article 5.2 of IEC 60974-9;**

Before installing the welding / cutting equipment, the person in charge of the operation and / or the user must conduct an inspection of possible electromagnetic interference in the environment.

Aspects indicated below has to be taken into consideration;

- Other supply cables, control cables, signal and telephone cables, above and below the welding / cutting machine and its equipment,
- Radio and television transmitters and receivers,
- Computer and other control hardware,
- Critical safety equipment, e.g. protection of industrial equipment,
- Medical apparatus for people in the vicinity, e.g. pacemakers and hearing aids,
- Equipment used for measuring or calibration,
- Immunity of other equipment in the environment. The user must ensure that the other equipment in use in the environment is compatible. This may require additional protection measures.
- Considering the time during which the welding / cutting operations or other activities take place during the day, the boundaries of the investigation area can be expanded according to the size of the building, the structure of the building and other activities that are being performed in the building.

In addition to the evaluation of the field, evaluation of device installations may also be necessary for solving the interfering effect. In case if deemed necessary, on-site measurements can also be used to confirm the efficiency of mitigation measures.

(Source: IEC 60974-9).

**Electromagnetic Interference Reduction Methods**



- The appliance must be connected to the electricity supply in the recommended manner by a competent person. If interference occurs, additional measures may be applied, such as filtering the network. The supply of the fixed-mounted arc welding equipment must be made in a metal tube or with an equivalent shielded cable. The housing of the power supply must be connected and a good electrical contact between these two structures has to be provided.
- The recommended routine maintenance of the appliance must be carried out. All covers on the body of the machine must be closed and / or locked when the device is in use. Any changes, other than the standard settings without the written approval of the manufacturer, cannot be modified on the appliance. Otherwise, the user is responsible for any consequences that may possibly occur.
- Welding / cutting cables should be kept as short as possible. They must move along the floor of the work area, in a side by side manner. Welding / cutting cables should not be wound in any way.
- A magnetic field is generated on the machine during welding / cutting. This may cause the machine to pull metal parts on to itself. To avoid this attraction, make sure that the metal materials are at a safe distance or fixed. The operator must be insulated from all these interconnected metal materials.
- In cases where the workpiece cannot be connected to the ground due to electrical safety, or because of its size and position (for example, in building marine vessel bodies or in steel construction manufacturing), a connection between the workpiece and the grounding may reduce emissions in some cases, it should be kept in mind that grounding of the workpiece may cause users to sustain injuries or other electrical equipment in the environment to break down. In cases where necessary, the workpiece and the grounding connection can be made as a direct connection, but in some countries where direct connection is not permissible, the connection can be established using appropriate capacity elements in accordance with local regulations and ordinances.
- Screening and shielding of other devices and cables in the work area can prevent aliasing effects. Screening of the entire welding / cutting area can be evaluated for some specific applications.

**Electromagnetic Field (EMF)**



The electrical current passing through any conductor generates zonal electric and magnetic fields (EMF).

All operators must follow the following procedures to minimize the risk of exposure to EMF;

- In the name of reducing the magnetic field, the welding / cutting cables must be assembled and secured as far as possible with the joining materials (tape, cable ties etc.).
- The operator's body and head should be kept as far away from the welding / cutting machine and cables as possible,

The electrical current passing through any conductor generates zonal electric and magnetic fields (EMF).

All operators must follow the following procedures to minimize the risk of exposure to EMF;

- In the name of reducing the magnetic field, the welding / cutting cables must be assembled and secured as far as possible with the joining materials (tape, cable ties etc.).
- The operator's body and head should be kept as far away from the welding / cutting machine and cables as possible,
- Welding / cutting and electric cables should not be wrapped around the body of the machine in any way,
- The body of the machine should not get caught between the welding / cutting cables. The source cables must be kept away from the body of the machine, both being placed side by side,
- The return cable must be connected to the workpiece as close as possible to the work area,
- The welding / cutting machine should not rest against the power unit, ensconce on it and not work too close to it,
- Welding / cutting work should not be performed when carrying the wire supply unit or power unit.

EMF may also disrupt the operation of medical implants (materials placed inside the body), such as pacemakers. Protective measures should be taken for people who carry medical implants. For example, access limitation may be imposed for passers-by, or individual risk assessments may be conducted for welders. Risk assessment should be conducted and recommendations should be made by a medical professional for users who carry medical implants.

#### Protection



- Do not expose the machine to rain, prevent the machine from splashing water or pressurized steam.

#### Energy Efficiency



- Choose the welding / cutting method and welding machine for the welding work you are to perform.
- Select the welding / cutting current and/or voltage to match the material and thickness you are going to weld.
- If you have to wait for a long time before you start your welding / cutting work, turn off the machine after the fan has cooled it down. Our machines with smart fan control will turn off on their own.

#### Waste Procedure



- This device is not domestic waste. It must be directed to recycling within the framework of the European Union directive and national laws.
- Obtain information from your dealer and authorized persons about the waste management of your used machines.

## TECHNICAL INFORMATION

EN

### 1.1 General Information

Monotig 160i and Monotig 200i are an inverter type portable, mono-phase DC TIG-MMA welding machine designed for TIG welding of all kinds of thin metal sheets except aluminum & for MMA welding of all kinds of stick electrodes up to 4 mm. Current, time and program settings can easily be monitored by digital displays. Monotig 160, Monotig 200i proved well that it can work between 160 to 240 V 50-60 Hz line voltages. Therefore this machine is quite immune to mains voltage fluctuations and perfectly welds with generator-sets. Monotig 160, Monotig 200i can also be used with long welding cables up to 25 mt. The machine is fan cooled and thermally protected against over heating.

### 1.2 Machine Components

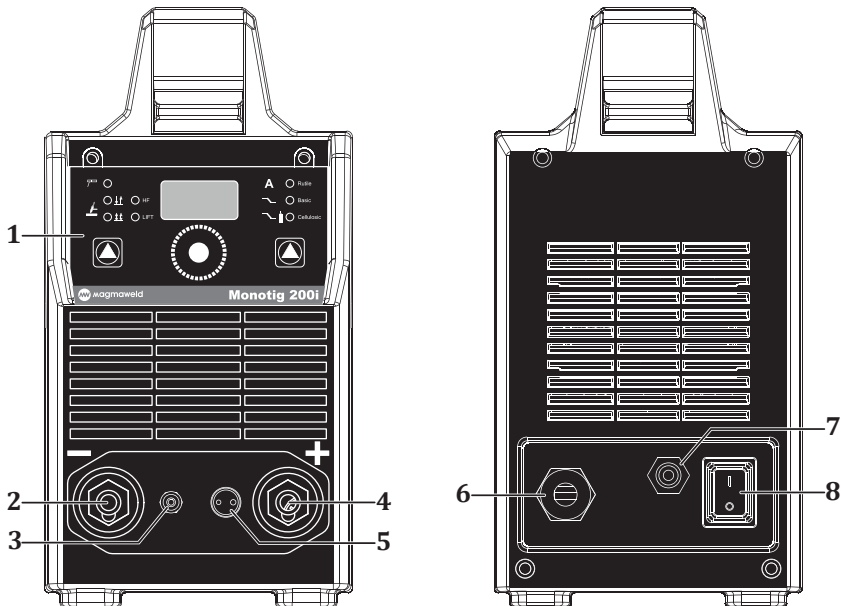
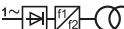




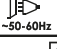
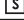

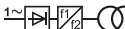




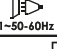
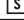



Figure 1 : Front and Rear View

- |   |                              |
|---|------------------------------|
| 1- Control Panel                            | 5- Torch Control Connections |
| 2- Earth Cable and Welding Cable Socket (-) | 6- Line Cable Inlet          |
| 3- Gas Output                               | 7- Gas Input                 |
| 4- Earth Cable and Welding Cable Socket (+) | 8- Power Switch              |

### 1.3 Product Label

MAGMA MEKATRONİK MAKİNE SAN. VE TİC. A.Ş. Organize Sanayi Bölgesi 5.Kısım Manisa-TÜRKİYE			
<b>MONOTIG 160i</b>		Seri No:	
		EN 60974-1 / EN 60974-10 Class A	
	---	5A / 10.2V - 160A / 16.4V	
		X	30% 60% 100%
	U <sub>0</sub> = 65V	I <sub>2</sub>	160A 113A 88A
		U <sub>2</sub>	16.4V 14.5V 13.5V
		I <sub>1</sub>	21.8A 14.6A 10.6A
		S <sub>1</sub>	5.01kVA 3.36kVA 2.44kVA
		I <sub>1max</sub> = 21.8A	I <sub>1eff</sub> = 11.95A
	---	5A / 20.2V - 160A / 26.4V	
		X	20% 60% 100%
	U <sub>0</sub> = 65V	I <sub>2</sub>	160A 92A 72A
		U <sub>2</sub>	26.4V 23.7V 22.9V
		I <sub>1</sub>	32.2A 17.4A 13.7A
		S <sub>1</sub>	7.41kVA 4kVA 3.15kVA
	U <sub>1</sub> = 230V	I <sub>1max</sub> = 32.2A	I <sub>1eff</sub> = 14.41A
		1-50-60Hz	
	IP23S		

MAGMA MEKATRONİK MAKİNE SAN. VE TİC. A.Ş. Organize Sanayi Bölgesi 5.Kısım Manisa-TÜRKİYE			
<b>MONOTIG 200i</b>		Seri No:	
		EN 60974-1 / EN 60974-10 Class A	
	---	5A / 10.2V - 200A / 18V	
		X	25% 60% 100%
	U <sub>0</sub> = 65V	I <sub>2</sub>	200A 129A 100A
		U <sub>2</sub>	18V 15.2V 14V
		I <sub>1</sub>	29.1A 17.1A 12.5A
		S <sub>1</sub>	6.69kVA 3.93kVA 2.88kVA
		I <sub>1max</sub> = 29.1A	I <sub>1eff</sub> = 14.55A
	---	5A / 20.2V - 200A / 28V	
		X	14% 60% 100%
	U <sub>0</sub> = 65V	I <sub>2</sub>	200A 97A 75A
		U <sub>2</sub>	28V 23.9V 23V
		I <sub>1</sub>	41.5A 18.9A 14.2A
		S <sub>1</sub>	9.55kVA 4.35kVA 3.27kVA
	U <sub>1</sub> = 230V	I <sub>1max</sub> = 41.5A	I <sub>1eff</sub> = 15.54A
		1-50-60Hz	
	IP23S		

 Single Phase Transformer Rectifier

 TIG Welding

 MMA Welding

 Direct Current

 Vertical Characteristic

 Mains Input 1-Phase Alternating Current

 Suitable for Operation at Hazardous Environments

X Duty Cycle

U<sub>0</sub> Open Circuit Voltage

U<sub>1</sub> Mains Voltage and Frequency

U<sub>2</sub> Rated Welding Voltage

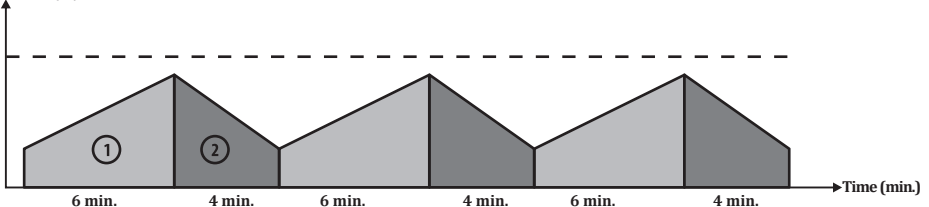
I<sub>1</sub> Rated Mains Current

I<sub>2</sub> Rated Welding Current

S<sub>1</sub> Rated Power

IP23S Protection Class

Duty Cycle  
Temperature (C°)



As defined in the standard EN 60974-1, the duty cycle rate includes a time period of 10 minutes. For example, if a machine specified as 250A at %60 is to be operated at 250A, the machine can weld / cut without interruption in the first 6 minutes of the 10 minutes period (zone 1). However, the following 4 minutes should be kept idle for the machine cool down (zone 2).

## 1.4 Technical Data

TECHNICAL DATA	UNIT	monoTIG 160i	monoTIG 200i
Mains Voltage (1 phase - 50-60 Hz)	V	230	230
Rated Power (MMA)	kVA	7.41 (%30)	9.55 (%25)
Rated Power (TIG)	kVA	5.01 (%30)	6.69 (%25)
Welding Current Range	ADC	5 - 160	5 - 200
Rated Welding Current	ADC	160 (%30)	200 (%25)
Open Circuit Voltage	VDC	65	65
Stick Electrode Diameter Range	mm	1.60 - 3.25	2.00 - 4.00
Tungsten Electrode Diameter Range	mm	1.20 - 2.40	1.00 - 2.40
Dimensions (l x w x h)	mm	520 x 160 x 312	520 x 160 x 312
Weight	kg	9.5	10
Protection Class		IP 23S	IP 23S

## 1.5 Accessories

STANDARD ACCESSORIES	QTY	monoTIG 160i	monoTIG 200i
Workpiece Clamp and Cable	1	7905212503 (25 mm <sup>2</sup> - 3 m)	7905212503 (25 mm <sup>2</sup> - 3 m)
Gas Hose	1	7907000002	7907000002
Torch (Air Cooled 4 m)	1	7110018004	7110018004
OPTIONAL ACCESSORIES	QTY	monoTIG 160i	monoTIG 200i
Electrode Clamp and Cable	1	7906201603	7910005200
Water Cooling Unit (CSP 40)	1	7910005200	7020001004
Gas Regulator	1	7020001004	7110018004
Lava TIG 26 (8 m) Air Cooled TIG Torch	1	7110018008	7110018008
Lava TIG 18W (4 m) Water Cooled TIG Torch	1	7110038004	7110038004
Lava TIG 18W (8 m) Water Cooled TIG Torch	1	7110038008	7110038008
TIG Accessory Set Air Cooled (Torch + Regulator)	1	7910000510	7910000510
Water Cooled TIG Accessory Set (Torch + Regulator)	1	7910000530	7910000530
Foot Pedal (On/Of)	1	7910000130	7910000130
Trolley	1	7910000100	7910000100

## INSTALLATION

### 2.1 Delivery Control

Make sure that all the materials you have ordered have been received. If any material is missing or damaged, contact your place of purchase immediately.

Scope of supply;

- Welding machine and connected mains cable
- Workpiece clamp and cable
- Warranty certificate
- User manual

In case of a damaged delivery, record a report, take a picture of the damage and report to the transport company together with a photocopy of the delivery note. If the problem persists, contact the customer service.

### Symbols and their meanings on the device



Welding may be dangerous. Proper working conditions should be ensured and necessary precautions should be taken. Specialists are responsible for the machine and have to be equipped with the necessary equipment and those who are not relevant should be kept away from the welding area.



This device is not compatible with IEC 61000-3-12. If it is desired to connect to the low voltage mains used in homes, it is essential that the installer or the person who will operate the machine to make the electrical connection has information on the machine's connectivity. In this case the responsibility will be assumed by the person who will perform the installation or by the operator.



The safety symbols and warning notes on the device and in the operating instructions must be observed and the labels must not be removed.



Grids are intended for ventilation. The openings should not be covered in order to provide good cooling and no foreign objects should be inserted.

### 2.2 Installation and Operation Recommendations

- For a better performance, place the machine at least 30 cm away from the surrounding objects. Pay attention to overheating, dust and moisture near the machine.
- Do not operate the machine under direct sunlight. If the ambient temperature exceeds 40°C, operate the machine at a lower current or a lower duty cycle.
- Avoid welding outdoors in windy and rainy weather circumstances. If welding is necessary in such cases, protect the welding area and the welding machine with a curtain and canopy. If you weld indoors, use a suitable fume extraction system. Use breathing apparatus if there is a risk of inhaling welding fumes and gas in confined spaces.
- Observe the duty cycle rates specified on the product label. Exceeding duty cycle rates can damage the machine and this may invalidate the warranty.
- Use the fuse that is compliant with your system.
- Secure the ground cable as close as possible to the welding area.
- Do not allow the welding current to pass through equipment other than the welding cables.
- Secure the gas cylinder to the wall with a chain.
- The welding cables and the mains cable must not be wrapped in the machine housing during operation.

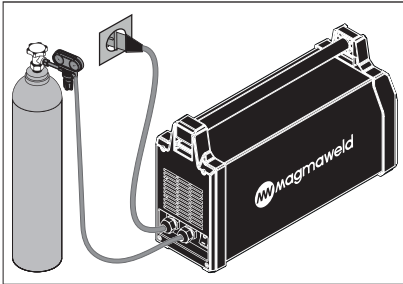
## 2.3 Connections for TIG Welding

### 2.3.1 Connection to Mains



*Before plugging your machine to the electrical line, check the line voltage.*

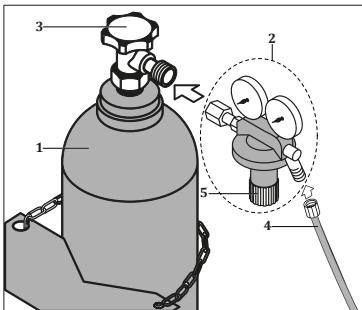
- Switch the machine to the position "OFF" "0" and insert the plug into the socket.
- SWITCH ON the machine via power switch. Observe that the switch itself and the led displays in the front panel lits, also you should hear the sound of the cooler fan.



**Figure 2 : Gas and Mains Connections**

### 2.3.2 Gas Connections

- Secure the gas cylinder to a wall by a chain. To operate safety and get best results, use approved regulators.
- Open the gas cylinder valve few times in order to blow out any possible dirt or particles.
- Connect the gas regulator to the cylinder, make sure that the threading of the gas outlet of the cylinder and the nut of the regulator match.
- Connect one end of gas hose to the gas regulator and connect the other end to the gas supply inlet. Open the gas cylinder valve.



**Figure 3 : Gas Cylinder - Regulator - Hose Connections**

- Set the gas quantity with the pressure adjustment valve.
- Make sure that there are no gas leakages from any connection.

Diameter of Electrode (mm)	Diameter of Nozzle (mm)	Welding Current (ADC)	Gas Debit (lt/dak)
1.0	6.3	30-70	6-8
1.6	9.5	30-150	6-8

### 2.3.3 Preparing the Torch Connections

TIG torch connection via CX79 TIG torch adaptor

- Thread the nut of the torch through the plastic body and screw to the torch plug tightly. Then place the torch plug into the plastic body.
- Thread the L shape gas hose adapter through the hole on plastic body and screw it to the socket tightly.
- Connect the gas hose to the elbow union with the clamp tightly.
- Install the connector pins to the control cables of the torch.

### 2.3.4 Torch Connections

- Insert the TIG torch's plug into the negative pole welding socket and tighten it by turning to the right. Attach the torch trigger connector that came with the machine to the trigger control cables of the torch. Then connect the connector to the trigger control socket.
- Connect the gas hose of the torch to the gas outlet.
- In water-cooled models, connect the cold "blue" hose of the torch to the cold water outlet on the machine, and the hot "red" hose to the hot water inlet on the machine.

### 2.3.5 Earth Clamp Connections

- Connect the earth cable plug to the positive welding socket tightly.
- To increase the quality of the welding, connect the earth clamp tightly to the work-piece as close as possible to the welding area.

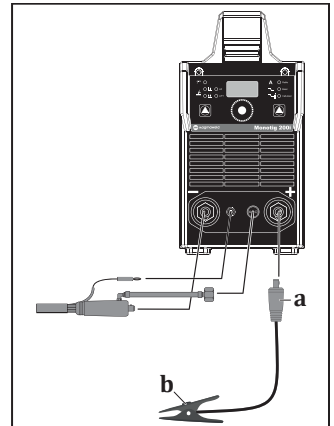


Figure 4 : TIG Welding Connections



### 2.3.6 Changing the Tungsten Electrode

- Unscrew the clamping cap.
- Remove the existing tungsten electrode from the collet and insert the new electrode in.
- Insert the collet into the torch.
- Screw the clamping cap tightly.
- The ceramic gas nozzle and the tungsten electrode diameters should be selected according to the working current and the shape of the work-piece. Therefore the collet, the collet body must be matched with the diameter of the tungsten electrode.

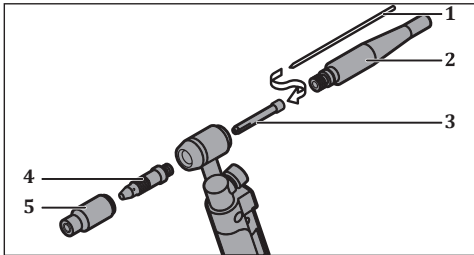
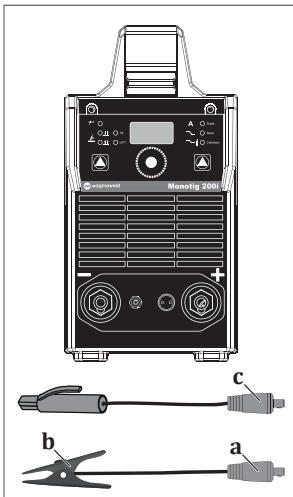


Figure 5 : Changing the Tungsten Electrode

### 2.4 Connections for MMA Welding

- Switch ON the machine by following the steps.
- According to the polarity of the electrode to be used, insert the electrode holder cable and the earth clamp cable plugs into their appropriate sockets and tighten them by turning clock-wise.
- Connect the earth clamp tightly to the work-piece as close as possible to the welding area.
- Adjust the desired current and the machine is ready to weld.
- Below table is given as a reference for current adjustment of mild steel electrodes, please refer to the electrode manufacturer's recommendations.

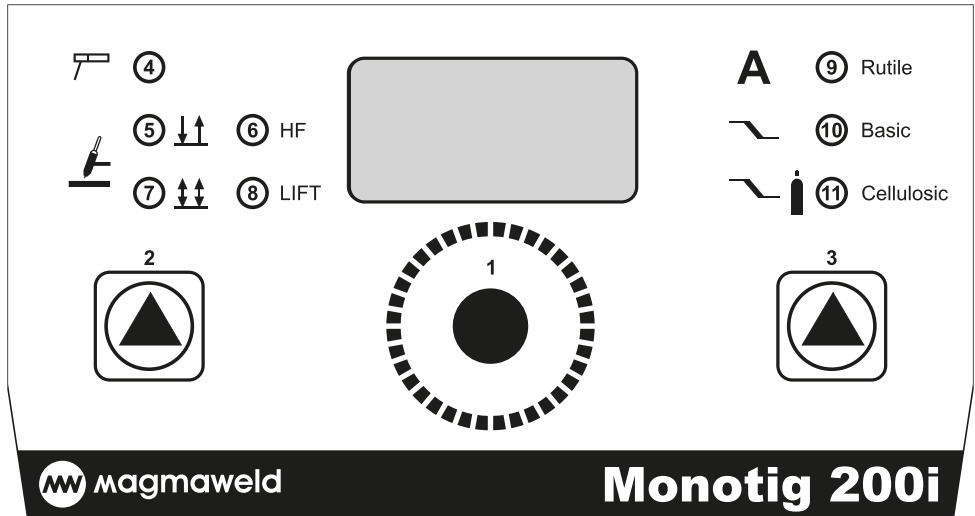


Covered Electrode Diameter (mm)	Recommended Welding Current		
	Rutile	Basic	Cellulosic
2.0	40-60 A	-	-
2.5	60-90 A	60-90 A	60-100 A
3.25	100-140 A	100-130 A	70-130 A
4.0	140-180 A	140-180 A	120-170 A

Figure 6 : MMA Welding Connections

## OPERATION

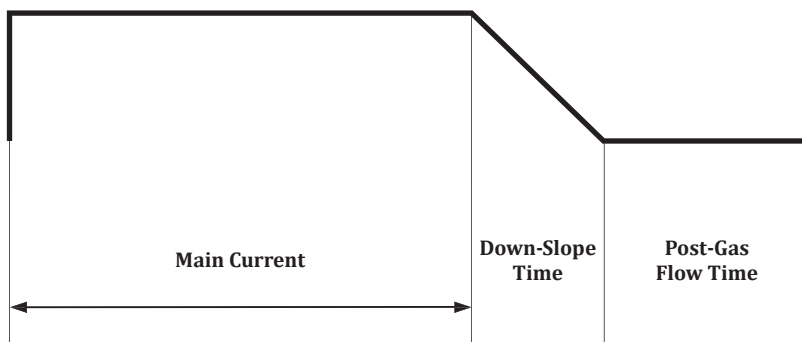
### 3.1 User Interface



1	<b>Setting Function</b> Selected function buttons selected prometer is increase or decreased.
2	<b>Welding Mode Option Switch</b> It is used for decision of MMA welding, TIG welding with HF or TIG welding with scratch modes.
3	<b>Selecting Time, Gas and Type of Electrode</b>
4	<b>Led of MMA Mode</b> MMA welding mode activated.
5	<b>Led for Trigger Mode</b> Welding current starts when the trigger is pulled and stops when the trigger is dropped.
6	<b>HF Weld Start</b> Welding current starts with high voltage arc voltage arc across the gas without contact between work piece and torch.
7	<b>Led for Trigger Mode</b> Welding current starts when the trigger is pulled and dropped and ends after pulled and dropped again.
8	<b>LIFT Weld Start</b> Welding starts with scratch between torch and working piece while the torch trigger is activated.
	When 9 led is on and machine is TIG mode, welding current can be increased or decreased by 1. When 10 led is on and machine is TIG mode, finish ramp time can be set by 1. When the machine is in TIG mode, press and hold the pot 1 and the pre-gas setting will be opened. The pre-gas parameter is adjusted by turning the pot 1 right and left. Press the pot 1 again to exit. When 11 led is on and machine is TIG mode, post gas parameters can be set by 1. 2 with this butto, when MMA 4 welding mode is selected 9 is Rutile, 10 is Basic, is Cellulosic can be choosen with 3.

## 3.2 TIG Cycle

EN



## 3.3 Menu Structure

The statuses of the functions on or off according to the modes are as follows.

Parameter	Range	Factory Setting	LED	MMA Welding	2 Stroke TIG		4 Stroke TIG		Spot TIG	
					DC	DC	DC	DC		
Main Current	5-200 A	80 A	19	✓	✓	✓	✓	✓	✓	✓
Down-Slope Time	0-10 sec	1 sec	23		✓	✓	✓	✓		
Post-Gas Flow Time	0-20 sec	2 sec	25		✓	✓	✓	✓		

### 3.3.1 TIG Welding Process



*In HF Start TIG mode, a high ignition voltage is present at the torch. Never touch the tungsten electrode or parts conducting welding current when the device is switched on.*

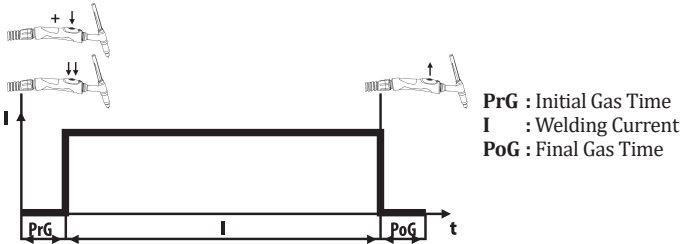
- 10 jobs programs including complete parameter settings can be stored and run for repeated jobs.
- In the first use, all parameters of all programs are in factory settings which are shown in the table.
- Push the program selection button. For selecting a previously adjusted program or changing its parameters.
- Push the welding mode selection button for selecting Touch-Lift TIG of HF start TIG.
- Push the 2 Stroke - 4 Stroke - Spot Welding Selection Button for selecting the appropriate mode for the work.
- Latest adjusted parameter values will be saved automatically. There is no need to do anything else for saving the settings.

Electrode Diameter "mm"	Recommended TIG Welding Current "A"
1.6	30-130
2.0	45-180
2.4	70-240

### 3.3.2 Usage of the TIG Welding Trigger

#### 2 Stroke TIG Trigger

Push the torch trigger and do not release your finger. Current starts with start current after pre gas-flow period and increases according to the up-slope time adjustment and reaches to value of the main current. Welding goes on with the main current as long as the torch trigger is kept pushed. After releasing the trigger, current decreases according to down-slope time adjustment and reaches to final current, after post gas-flow period the operation ends.

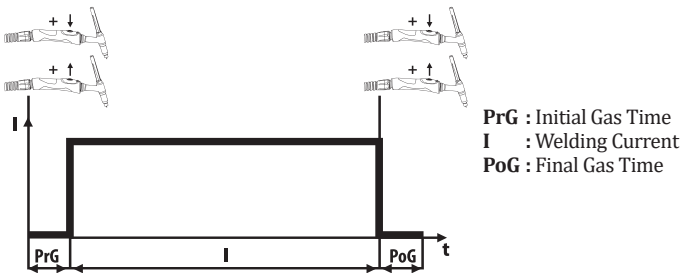


#### 4 Stroke TIG Trigger

When torch trigger is pushed, following the pre-gas flow, initial current starts and when the trigger is released the current ramp leads to the welding current. If DC PULSE mode is selected, according to the adjusted frequency, welding current oscillates between this reached welding current and the base current. If the trigger will be pushed and released more than 1 second, current decreases according to down-ramp adjustment, reaches to the final current, after post gas, welding ends.

Base current is generally used for repairing and cooling during welding and crater filling at the finishing of the welding beads. Either during DC or during Pulsed DC welding if the trigger is pushed and released less than 1 second, DC base current will be on.

If the trigger will be pushed less than 1 second, welder will go back to the existing welding mode and parameters, but if the trigger will be pushed and released more than 1 second, welding will be finished by following the down-ramp, final current and post-gas.



### 3.3.3 MMA Welding Process

Push the welding mode selection button. For selecting the MMA welding mode. Stick electrode welding LED lights. Adjust the current via current adjustment knob. Below table can be used as a rough reference for mild steel electrodes. For exact parameters, please refer to the electrode manufacturer recommendations.



## MAINTENANCE AND SERVICE

EN

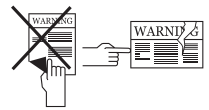
- Maintenance and repairs to the machine must be carried out by a qualified personnel. Our company will not be responsible for any accidents that may occur by unauthorized interventions.
- Parts that will be used during repair can be obtained from our authorized services. The use of original spare parts will extend the life of your machine and prevent performance losses.
- Always contact the manufacturer or an authorized service designated by the manufacturer.
- Never make interventions yourself. In this case the manufacturer warranty is no longer valid.
- Always comply with the applicable safety regulations during maintenance and repair.
- Before performing any work on the machine for repair, disconnect the machine's power plug from the power supply and wait for 10 seconds for the capacitors to discharge.

### 4.1 Maintenance



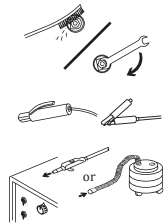
#### Daily Maintenance

- Check your torch, clamps and cables. Pay attention to the connections and the durability of the parts. Replace the damaged/defective parts with the new ones. Do not ever make additions to/repair the cables.
- Ensure adequate space for ventilation.
- The consumables on the TIG torch must be cleaned regularly. Should be replaced if necessary. It should be ensured that these materials are original products for a long-term use.
- Before starting welding, check the gas flow rate from the tip of the torch with a flow meter. If the gas flow is high or low, bring it to the appropriate level for the welding process.



#### Every 6 Months

- Do not remove the warning labels on the device. Replace the worn/torn labels with the new ones. Labels can be obtained from the authorized service.
- Clean and tighten fasteners such as bolts and nuts.
- Check the electrode clamp and grounding clamp cables.
- Open the side covers of the machine and clean with low pressure dry air. Do not apply compressed air to electronic components at close distance.
- Check the socket to which the power supply plug of the machine is connected. If there is any looseness in the power cable connection points of the socket, remove such looseness. If there is an arc or expansion in the socket slots, replace them with new ones.
- Check the power supply plug of the machine. If there is any looseness in the power cable connection points in the electricity plug, remove such looseness. If there is an arc or deformation at the ends of the plug, replace it with a new one.



**NOTE:** The above mentioned periods are the maximum ones that should be applied if no problems are encountered in your device. Depending on the work load and contamination of your work environment, you can repeat the above processes more frequently.



Never operate the machine when covers are open.

## 4.2 Troubleshooting

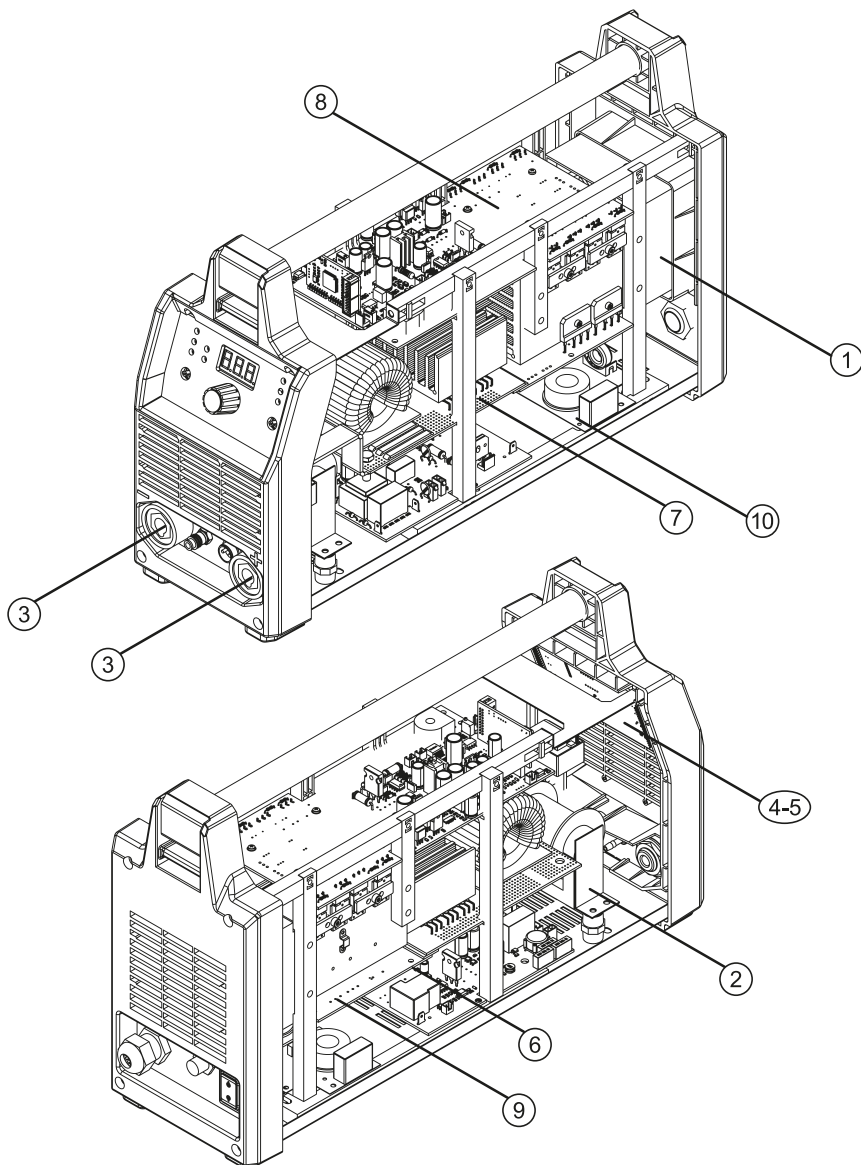
- If the Thermal Protection LED lights up while cooling fan is working and the machine doesn't weld; machine maybe overheated and stopped for auto protection due to overheat. Hot weather or working in high current values for long time may cause this. Let the machine on for a while in order to cool down itself with the cooling fan. After its cools enough, Thermal Protection LED fades away and the machine can weld.
- When the lamp of power switch is lighting, cooling fan is working but the machine does not weld; turn off the machine for 1 minute then turn it on again and try to weld. If it still doesn't weld, contact to your authorized technical service.

## 4.3 Error Codes

Error Code	Error	Cause	Solution
E01	Thermal Protection (Primary)	<ul style="list-style-type: none"> <li>• The uptime of your machine may have been exceeded</li> </ul>	<ul style="list-style-type: none"> <li>• Allow the machine to cool down by waiting for a while. If the fault disappears, try to use the machine at lower amperage values</li> <li>• If the problem continues, contact the authorized service</li> </ul>
		<ul style="list-style-type: none"> <li>• Fan may not be working</li> </ul>	<ul style="list-style-type: none"> <li>• Check visually whether the fan is working or not</li> <li>• If the problem continues, contact the authorized service</li> </ul>
		<ul style="list-style-type: none"> <li>• The front of the air inlet-outlet ducts may be blocked</li> </ul>	<ul style="list-style-type: none"> <li>• Open the front of the air ducts</li> <li>• If the problem continues, contact the authorized service</li> </ul>
		<ul style="list-style-type: none"> <li>• The machine working environment may be too hot or stuffy</li> </ul>	<ul style="list-style-type: none"> <li>• Make sure that the working environment of the machine is not excessively hot or stuffy</li> <li>• If the problem continues, contact the authorized service</li> </ul>
E02	Mains Voltage Low	<ul style="list-style-type: none"> <li>• Mains voltage may have decreased</li> </ul>	<ul style="list-style-type: none"> <li>• Check the mains connection cables and the voltage. Make sure the correct voltage input is provided. If the mains voltage is normal, contact the authorized service</li> </ul>
E03	Mains Voltage High	<ul style="list-style-type: none"> <li>• Mains voltage may have increased</li> </ul>	<ul style="list-style-type: none"> <li>• Check the mains connection cables and the voltage. Make sure the correct voltage input is provided. If the mains voltage is normal, contact the authorized service</li> </ul>

**ANNEX**

EN

**5.1 Spare Part List**

## 5.1 Spare Part List

NO	DEFINITION	monoTIG 160i
1	Fan	A250200026
2	HF Choke	A490900023
	Hall Effect Sensor 300A	A830900004
3	Welding Socket	A377900104
4	Electronic Card E505A-1	K405000186
5	Electronic Card E505A-2	K405000187
6	Electronic Card E505A-3	K405000185
7	Electronic Card E203A PWR/200TIG	K405000176
8	Electronic Card M.TIG 200I E204A-GR	K405000191
9	Electronic Card E203A AC PWR	K405000226
10	Electronic Card E201B-FLT TIG/	K405000295



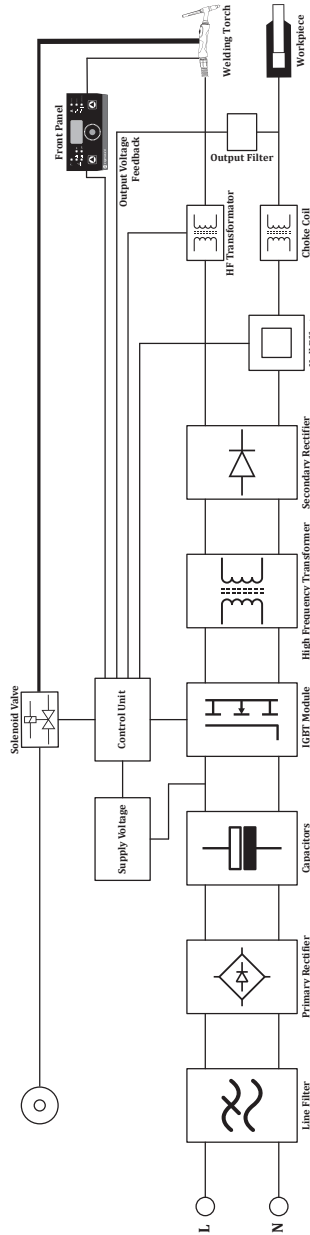
## 5.1 Spare Part List

EN

NO	DEFINITION	monoTIG 200i
1	Fan	A250200026
2	HF Choke	A490900023
	Hall Effect Sensor 300A	A830900004
3	Welding Socket	A377900104
4	Electronic Card E505A-1	K405000186
5	Electronic Card E505A-2	K405000187
6	Electronic Card E505A-3	K405000185
7	Electronic Card E203A PWR/200TIG	K405000176
8	Electronic Card M.TIG 200I E204A-GR	K405000191
9	Electronic Card E203A AC PWR	K405000226
10	Electronic Card E201B-FLT TIG/	K405000295

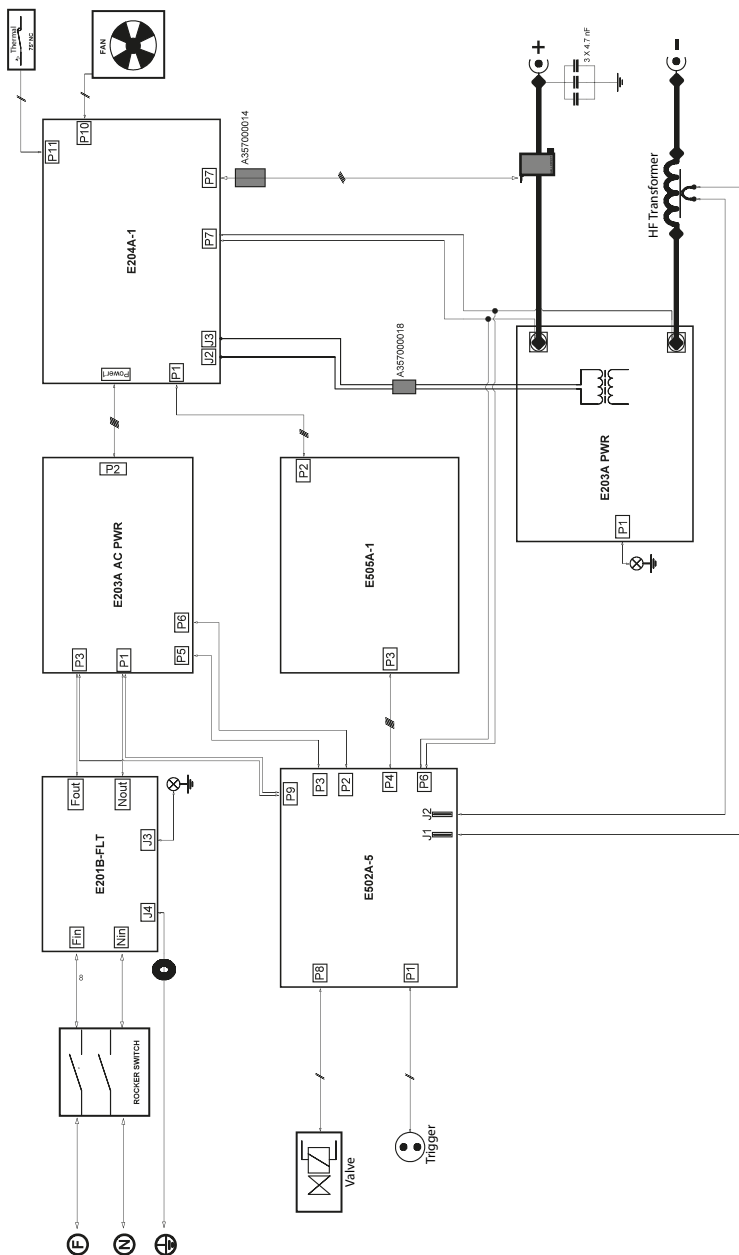
## 5.2 Connection Diagrams

### Block Diagram



### Circuit Diagram

EN



 **СОДЕРЖАНИЕ**

	ПРАВИЛА ТЕХНИКИ БЕЗОПАСНОСТИ	29
<b>1</b>	<b>ТЕХНИЧЕСКАЯ ИНФОРМАЦИЯ</b>	
1.1	Общее описание	36
1.2	Комплектующие сварочного аппарата	36
1.3	Этикетка продукта	37
1.4	Технические характеристики	38
1.5	Вспомогательные устройства и приспособления	38
<b>2</b>	<b>ИНФОРМАЦИЯ ПО УСТАНОВКЕ И НАСТРОЙКЕ</b>	
2.1	Контроль доставки	39
2.2	Рекомендации по установке и эксплуатации	39
2.3	Соединения для сварки TIG	40
2.3.1	Подсоедините аппарат к сети и включите	40
2.3.2	Газовые соединения	40
2.3.3	Подготовка подключений резака	41
2.3.4	Подключения резака	41
2.3.5	Зажимы заземления	41
2.3.6	Замена вольфрамового электрода	42
2.4	Соединения для сварки MMA	42
<b>3</b>	<b>ИНФОРМАЦИЯ ПО ЭКСПЛУАТАЦИИ</b>	
3.1	Интерфейс пользователя	43
3.2	Цикл TIG	44
3.3	Структура меню	44
3.3.1	Процесс сварки TIG	44
3.3.2	Использование режимов TIG-сварки	45
3.3.3	Метод сварки покрытым электродом	46
<b>4</b>	<b>ТЕХОБСЛУЖИВАНИЕ И УСТРАНЕНИЕ НЕИСПРАВНОСТЕЙ</b>	
4.1	Техобслуживание	47
4.2	Устранение неисправностей	48
4.3	Коды неисправностей	48
<b>5</b>	<b>ПРИЛОЖЕНИЕ</b>	
5.1	Список запасных частей	50
5.2	Схемы подключения	53

## ПРАВИЛА ТЕХНИКИ БЕЗОПАСНОСТИ

*Соблюдайте все правила техники безопасности, указанные в этом руководстве!*

### Описание сведений по технике безопасности



- Знаки по технике безопасности, указанные в руководстве, используются для определения потенциальных источников опасности.
- При размещении какого-либо знака по технике безопасности в этом руководстве его следует понимать как указание на наличие риска телесных повреждений и во избежание потенциальной опасности внимательно ознакомиться с предоставленными далее пояснениями.
- Владелец оборудования несёт ответственность за предотвращение доступа посторонних лиц к оборудованию.
- Лица, осуществляющие эксплуатацию оборудования, должны иметь опыт или пройти полную подготовку по вопросу выполнения сварочных сварка / резка; перед работой на оборудовании ознакомьтесь с руководством по эксплуатации и соблюдайте инструкции по технике безопасности.

### Описание знаков по технике безопасности

#### ВНИМАНИЕ



Указывает на потенциально опасную ситуацию, которая может привести к травме или повреждению. Несоблюдение этой меры предосторожности может привести к травме или потере/повреждению имущества.



#### ВАЖНО

Указывает на информацию и предупреждения, касающиеся эксплуатации.



#### ОПАСНОСТЬ

Указывает на серьёзную опасность. В случае непринятия мер может привести к смерти или серьёзным травмам.

### Понимание предупреждений по технике безопасности



- Внимательно прочитайте руководство по эксплуатации, а также ознакомьтесь с маркировкой (ярлыком) и предупреждениями по технике безопасности, размещёнными на оборудовании.
- Убедитесь, что предупреждающая маркировка находится в надлежащем состоянии. Замените отсутствующие и повреждённые ярлыки.
- Ознакомьтесь со способом эксплуатации оборудования и правильными методами управления оборудованием.
- Осуществляйте эксплуатацию вашего оборудования в соответствующей одежде.
- Несоответствующие изменения, проводимые на вашем оборудовании, негативно скажутся на безопасной эксплуатации и сроке службы оборудования.
- Производитель не несёт ответственности за какие-либо последствия, возникающие в результате эксплуатации устройства за пределами вышеуказанных условий.

### Поражение электротоком может привести к летальному исходу



*Убедитесь, что процедуры установки соответствуют национальным электрическим стандартам и иным соответствующим нормам, а также обеспечьте установку оборудования компетентными лицами.*

- Пользуйтесь сухими и неповреждёнными изолированными перчатками и рабочим фартуком. Запрещается использовать мокрые или повреждённые перчатки и рабочие фартуки.
- Носите огнестойкую защитную одежду, чтобы избежать ожогов. Одежда, используемая оператором, должна защищать от искр, брызг и излучения дуги.
- Не работайте в одиночку. В случае опасности убедитесь, что у вас есть помощник на рабочем месте.
- Не касайтесь электрода голыми руками. Не допускайте контакта держателя электрода или электрода с другими людьми или заземлёнными предметами.
- Никогда не прикасайтесь к частям, которые разносят электричество.
- Не прикасайтесь к электроду при контакте с электродом, подключённым к рабочей поверхности, полу или другому оборудованию.

- Вы можете защитить себя от возможных поражений электрическим током, изолировав себя от рабочей поверхности и пола. Используйте сухой, неповрежденный, невоспламеняющийся электроизоляционный материал таких размеров, чтобы он был пригодным для предотвращения контакта оператора с рабочей поверхностью.
- Не подключайте более одного электрода к держателю электрода.
- Подсоедините зажим заземления к заготовке или рабочему столу как можно ближе, чтобы обеспечить хороший контакт металла с металлом.
- Проверьте горелку перед работой со сварочным аппаратом. Убедитесь, что горелка и его кабели в хорошем состоянии. Обязательно замените поврежденную изношенную горелку.
- Не касайтесь держателей электродов, подключенных к двум сварочным аппаратам одновременно, так как будет присутствовать двойное напряжение холостого хода.
- Держите аппарат выключенным и отсоедините кабели, когда она не используется.
- Перед ремонтом машины отключите все электрические соединения и / или разъемы или выключите машину.
- Будьте осторожны при использовании длинного сетевого кабеля.
- Убедитесь, что все соединения чистые и сухие.
- Следите за тем, чтобы кабели были сухими, чистыми и обезжиренными, а также защищенными от горячего металла и искр.
- Оголенная проводка может убить. Часто проверяйте все кабели на предмет возможных повреждений. Если обнаружен поврежденный или неизолированный кабель, немедленно отремонтируйте или замените его.
- Если зажим заземления не подключен к заготовке, изолируйте его, чтобы предотвратить контакт с любым металлическим предметом.
- Убедитесь, что заземление линии питания подключено правильно.
- Не используйте источник переменного тока во влажных, сырых или перегруженных местах, а также в местах, где существует опасность падения.
- Используйте источник переменного тока ТОЛЬКО, если это необходимо для процесса сварки.
- Если требуется источник переменного тока, используйте дистанционное управление источником, если оно имеется на устройстве.

**Дополнительные меры предосторожности требуются при наличии любого из следующих электрически опасных условий:**

- во влажных местах или в мокрой одежде,
- на металлических конструкциях, таких как полы, решетки или строительные леса,
- когда вы находитесь в стесненном положении, например, сидя, на коленях или лежа,
- когда существует высокий риск неизбежного или случайного контакта с заготовкой или землей.

Для этих условий используйте следующее оборудование:

- Полуавтоматический аппарат для сварки MIG постоянного напряжения (CV),
- Ручной сварочный аппарат MMA постоянного тока,
- Сварочный аппарат постоянного или переменного тока с пониженным напряжением холостого хода (VRD), если имеется.

**Процедуры при поражении электрическим током**



- Отключите электричество.
- Используйте непроводящий материал, например сухую древесину, чтобы освободить пострадавшего от контакта с токоведущими частями или проводами.
- Позвоните в службу экстренной помощи.

**Если у вас есть обучение оказанию первой помощи;**

- Если пострадавший не дышит, проведите сердечно-легочную реанимацию (СЛР) сразу после разрыва контакта с источником электричества. Продолжайте СЛР (массаж сердца) до тех пор, пока не начнется дыхание или пока не прибудет помощь.
- Если имеется автоматический электронный дефибриллятор (AED), используйте его в соответствии с инструкциями.
- Относитесь к электрическому ожогу как к термическому ожогу, прикладывая стерильные холодные (ледяные) компрессы. Избегайте загрязнения и накройте чистой сухой повязкой.

**Движущиеся части могут привести к телесным повреждениям**



- Не приближайтесь к движущимся объектам.
- Закрывайте и запирайте все крышки, панели, дверцы и т.п. защитные приспособления оборудования и устройств.
- Носите ботинки с металлическим носком на случай падения тяжелых предметов.

**Дым и газы могут нанести вред вашему здоровью**



**Во время выполнения сварки / резки и резки чрезвычайно опасно вдыхать дым и газ в течение длительного времени.**

- Жжение и раздражение глаз, носа и горла указывают на недостаточность вентиляции. В этом случае необходимо незамедлительно улучшить уровень вентиляции и, если проблема не устранена, остановить сварку / резку.
- Предусмотрите на рабочем участке систему естественной или искусственной вентиляции.
- На участках выполнения сварки / резки или резки используйте соответствующую систему удаления дыма. При необходимости установите систему, которая обеспечит вывод дыма и газов, накапливающихся в цехе в целом. Во избежание загрязнения окружающей среды во время выброса газов используйте соответствующую систему фильтрации.
- При проведении работ в ограниченном пространстве или при выполнении сварки / резки материалов с покрытием из свинца, бериллия, кадмия, цинка, а также окрашенных материалов, помимо вышеуказанных мер предосторожности, используйте маски, обеспечивающие подачу свежего воздуха.
- Если газовые баллоны сгруппированы в отдельной зоне убедитесь в наличии хорошей вентиляции в этом помещении; закрывайте главные клапаны по окончании использования газовых баллонов, проверяйте баллоны на предмет утечки газа.
- Защитные газы (аргон и т.п.) плотнее воздуха и при использовании в помещении могут попадать в дыхательные пути вместо воздуха. Это опасно для вашего здоровья.
- Не проводите сварочные работы при наличии паров хлорированных углеводородов, выделяющихся во время смазочных и покрасочных работ.
- Некоторые сварные / вырезанные детали требуют специальной вентиляции. Следует внимательно прочитать правила безопасности продуктов, требующих специальной вентиляции. В случаях, когда требуется противогаз, следует надеть подходящий противогаз.

**Излучение сварочной дуги может нанести вред вашим глазам**



- Для защиты глаз и лица используйте соответствующую защитную маску и пригодный для маски стеклянный фильтр.
- Защищайте от этого излучения также другие части тела (руки, шею, уши и т.д.) соответствующей защитной одеждой.
- Для предупреждения возникновения у окружающих повреждений от воздействия сварочной дуги и горячих металлов, оградите ваш рабочий участок огнестойкими экранами высотой на уровне глаз и повесьте предупреждающие знаки.
- Оборудование не предназначено для нагревания замёрзших труб. Проведение таких работ сварочным аппаратом может привести к взрыву, пожару или повреждению вашего оборудования.

**Искры и разбрызгивающиеся частицы могут нанести повреждения глазам**



- При выполнении таких работ, как сварка, шлифовка или зачистка поверхности, могут образоваться искры и происходить разбрызгивание металлических частиц. Для предупреждения телесных повреждений надевайте под маску утверждённые к применению защитные рабочие очки с боковыми щитками.

**Горячие детали могут привести к тяжёлым ожогам**



- Не прикасайтесь к горячим деталям голыми руками.
- Перед работой с деталями оборудования подождите некоторое время, пока они остынут.
- При необходимости контакта с горячими деталями, используйте соответствующие инструменты, теплоизоляционные сварочные перчатки и огнеупорную одежду.

**Повышенный Уровень Шума Может Нанести Вред Слуху**



- Шум, выделяемый некоторым оборудованием и работами, может нанести вред слуху.
- При повышенном уровне шума используйте утверждённые к применению защитные наушники.

**Сварочная проволока может нанести телесные повреждения**



- При разматывании катушки сварочной проволоки не направляйте горелку на какую-либо часть тела, а также на других людей или какие-либо металлические предметы.
- При разматывании вручную катушки сварочной проволоки, особенно, небольшого диаметра, проволока может выскочить из ваших рук, как пружина, и травмировать вас или окружающих, поэтому при выполнении этих работ особое внимание уделите защите глаз и лица.

**Сварка может привести к пожарам и взрывам**



- Запрещается производить сварку вблизи легковоспламеняющихся материалов. Это может привести к пожару или взрыву.
- Перед проведением сварочных работ удалите эти предметы с участка или накройте их защитными покрытиями для предупреждения возгорания.
- На этих участках применяются специальные национальные и международные правила.

- Не производите сварку и резку полностью закрытых труб или трубок.
- Перед выполнением сварка / резка труб и закрытых емкостей откройте их, полностью опорожните, проветрите и очистите. Соблюдайте максимальную осторожность при выполнении сварка / резка на таких участках.
- Не производите сварку опорожнённых труб и трубок, которые ранее содержали вещества, способные вызвать взрыв, пожар или другие реакции.
- Сварочное оборудование имеет свойство нагреваться. Поэтому не размещайте его на легко воспламеняемых или легко повреждаемых поверхностях!

- Сварочные искры могут привести к возникновению пожара. По этой причине обеспечьте наличие в легко доступных для вас местах таких материалов, как огнетушители, вода и песок.
- Используйте обратные клапаны, газовые регуляторы и клапаны в сетях горючих, взрывоопасных газов и сжатого газа.

**Выполнение технического обслуживания оборудования устройств некомпетентными лицами может привести к телесным повреждениям**



- Запрещается привлекать некомпетентных лиц к ремонту оборудования. Ошибки, которые могут быть допущены при нарушении этого требования, могут привести к серьёзным травмам или летальному исходу.
- Элементы газовой сети работают под давлением; в результате манипуляций, производимых некомпетентными лицами, могут возникнуть взрывы, и пользователи могут получить серьёзные травмы.
- Рекомендуется производить обслуживание оборудования и его периферийных устройств не реже одного раза в год.

**Сварка / Резка на небольших участках и участках с ограниченным пространством**



- Выполняйте сварку/резку на небольших участках и участках с ограниченным пространством в присутствии ещё одного человека.
- По мере возможности избегайте проведения сварочных работ/резки в ограниченных пространствах.

**Несоблюдение необходимых мер предосторожности при перемещении оборудования может привести к несчастным случаям**



- При перемещении оборудования соблюдайте все необходимые меры предосторожности. Участки, на которых будет производиться перемещение, части, подлежащие перемещению, а также физическое состояние и здоровье людей, вовлечённых в процесс перемещении оборудования, должны соответствовать требованиям процедуры перемещения и транспортировки.
- Некоторое оборудование имеет большую массу, поэтому при перемещении убедитесь в принятии всех мер предосторожности по охране окружающей среды.
- Если сварочный аппарат предполагается использовать на платформе, необходимо убедиться в том, что такая платформа имеет соответствующие пределы нагрузки.
- При перемещении оборудования при помощи какого-либо механизма (тележка, вилочный погрузчик и пр.) убедитесь в надлежащем состоянии точек крепления механизма и оборудования (крепление подвесок, ремней для перемещения, болтов, гаек, колёс и т.п.).
- При выполнении перемещения вручную убедитесь в надлежащем состоянии приспособлений оборудования (подвески, ремни для перемещения и т.п.) и их креплений.



- С целью обеспечения необходимых требований для перемещения соблюдайте правила Международной организации труда в отношении веса перемещаемого оборудования, а также нормативы по перемещению оборудования, действующее в вашей стране.
- При перемещении источника питания используйте специальные приспособления (держатели или проушины). Запрещается перемещать оборудование, удерживая его за горелку, кабель или шланги. Перемещение газовых баллонов осуществляйте отдельно от всего оборудования.
- Перед перемещением сварочного и режущего оборудования демонтируйте все промежуточные соединения, осуществляйте поднятие и перемещение небольших частей посредством ручек, а более крупных частей с помощью соответствующих приспособлений (проушины) или вилочных погрузчиков.

**Падение частей оборудования может привести к телесным повреждениям**



**Неправильное расположение источника питания или иного оборудования может привести к серьёзным травмам и повреждению имущества.**

- Во избежание падений и опрокидывания вашего оборудование его необходимо разместить на основании (полу) или платформе с максимальным уклоном 10°. Это предупредит воспрепятствование подаче материала и риск застопоривания в кабелях и шлангах; предпочитайте для установки оборудования неподвижные широкие, не запылённые, легко вентилируемые участки. Во избежание опрокидывания газовых баллонов закрепите их, при наличии, на пригодной для баллонов платформе, находящейся на оборудовании, а при стационарном использовании, зафиксируйте баллон надёжным способом, прикрепив его к стене.
- Обеспечьте операторам лёгкий доступ к настройкам и подключениям на оборудовании.

**Чрезмерная эксплуатация приводит к перегреву оборудования**



- Обеспечьте остывание оборудования в соответствии с рабочим циклом.
- Перед повторным началом сварочных работ уменьшите коэффициент тока или загрузку рабочего цикла.
- Не закрывайте вентиляционные отверстия оборудования.
- Не устанавливайте фильтры в вентиляционные отверстия оборудования без разрешения производителя.

**Дуговая сварка может вызвать электромагнитные помехи**



- Данное устройство относится к группе 2, класс А в испытаниях электромагнитной совместимости (ЭМС) в соответствии со стандартом TS EN 55011.
- Данное устройства класса А не предназначено для эксплуатации в жилых помещениях с подачей электроэнергии от низковольтной сети. Возможны затруднения в достижении электромагнитной совместимости в связи с радиочастотными помехами, передача и распространение которых имеют место на таких участках.



Это устройство не соответствует стандарту IEC61000-3-12. При необходимости подключения к низковольтной сети, используемой в бытовых условиях, специалист, который будет осуществлять электрическое подключение, или лицо, которое будет эксплуатировать оборудование, должны быть осведомлены в вопросе особенностей подключения оборудования, в этом случае пользователь несёт ответственность за проведение таких работ.

- Убедитесь, что рабочая зона соответствует электромагнитной совместимости (ЭМС). Электромагнитные помехи во время сварка / резка или резки могут вызвать нежелательные воздействия на ваши электронные устройства в вашей сети, и пользователь несёт ответственность за какие-либо помехи, которые могут возникнуть во время проведения работ.
- При возникновении каких-либо помех, могут быть приняты дополнительные меры для обеспечения совместимости в виде использования коротких кабелей, экранированных кабелей, перемещения сварочного аппарата в другое место, отдаления кабеля от оборудования и/или участка, попавшего под воздействие использования фильтров или защиты рабочего участка в аспекте ЭМС.
- Во избежание возможных повреждений в связи с нарушением ЭМС выполняйте сварочные работы как можно дальше (100м) от вашего чувствительного электронного оборудования.
- Убедитесь в установке и размещении вашего сварочного аппарата или газового резака в соответствии с руководством по эксплуатации.

**Оценка  
электромагнитной  
совместимости  
рабочего  
участка**



Согласно пункту 5.2 стандарта IEC 60974-9,

Перед установкой сварочного и режущего оборудования уполномоченное лицо предприятия и/ или пользователь должны произвести осмотр участка на предмет возможных электромагнитных помех на прилегающей территории. Необходимо обратить внимание на следующие вопросы:

- a) наличие других кабелей питания, кабелей управления, сигнальных и телефонных кабелей сверху, снизу и рядом со сварочным аппаратом и оборудованием;
- b) наличие радио- и телевизионных передатчиков и приемников;
- c) наличие компьютерного и иного оборудования, используемого для управления;
- d) наличие критического оборудования для обеспечения безопасности, например для защиты промышленного оборудования;
- e) наличие медицинских аппаратов (например, кардиостимуляторов и слуховых аппаратов), используемых населением на прилегающей территории;
- f) наличие оборудования, используемого для измерения или калибровки;
- g) невосприимчивость иного оборудования, находящегося на прилегающей территории. Пользователь должен убедиться, что иное оборудование, используемое на прилегающей территории, является совместимым. Это может потребовать дополнительных мер защиты;
- h) Границы рассматриваемого участка могут быть расширены в соответствии с размерами прилегающей территории, конструкцией зданий и иными работами, выполняемыми в здании, с учётом времени, в течение которого предполагается производить сварочные или иные работы в течение дня.

В дополнение к оценке участка также может потребоваться оценка мест установки устройств с целью устранения нарушающего совместимость воздействия. При необходимости, для подтверждения эффективности мер по снижению воздействия также можно провести измерения на месте. (Источник: МЭК 60974-9).

**Методы снижения  
помех**



- Устройство должно быть подключено к источнику питания компетентным специалистом в соответствии с рекомендациями. При возникновении помех могут применяться дополнительные меры, такие как фильтрация сети. Электропитание оборудования для дуговой сварка / резка с фиксированным креплением должно осуществляться при помощи кабеля, проложенного через металлическую трубу или эквивалентного экранированного кабеля. Необходимо подключить экран и корпус источника питания, и между этими двумя конструкциями должен быть обеспечен хороший электрический контакт.
- Необходимо выполнять рекомендуемое плановое обслуживание устройства. При эксплуатации устройства должны быть закрыты и/или запгерты все крышки корпуса оборудования. Без письменного разрешения производителя в устройстве запрещается вносить какие-либо изменения или модификации, отличные от стандартных настроек. В противном случае вся ответственность за какие-либо последствия возлагается на пользователя.
- Сварочные кабели должны быть максимально короткими. Кабели должны выходить из пола рабочего участка бок о бок. Наматывание сварочных кабелей запрещено.
- Во время сварки / резки в оборудовании генерируется магнитное поле. Это может привести к притягиванию оборудования металлическими предметов.  
Для предотвращения этого убедитесь в размещении металлических материалов на безопасном расстоянии или в надёжной фиксации таких материалов. Оператор должен быть изолирован от всех таких взаимосвязанных металлических материалов.
- В случае отсутствия заземления обрабатываемого объекта или изделия, по соображениям электрической безопасности или в связи с его габаритными размерами и положением (например, при изготовлении корпуса судна или стальной конструкции), подключение между обрабатываемым объектом или изделием и землёй в некоторых случаях может снизить выбросы, и необходимо помнить, что заземление обрабатываемого объекта или изделия может привести к телесным повреждениям пользователя или неисправностям иного электрического оборудования, находящегося на прилегающей территории. При необходимости, заземление обрабатываемого объекта или изделия может быть выполнено прямым способом, но в некоторых странах, в которых прямое заземление запрещено, подключение может быть создано при помощи соответствующих элементов ёмкости в соответствии с местными нормами и правилами.
- Экранирование и защита других устройств и кабелей на рабочем участке может предотвратить возникновение воздействий, нарушающих совместимость. Для некоторых случаев может рассматриваться полное экранирование участка сварки / резки.

**Дуговая сварка  
может создавать  
электромагнитное  
поле (EMF)**



Электрический ток, проходящий через какой-либо проводник, создаёт локальные электрические и магнитные поля (ЭМП). Все сварщики должны применять следующие процедуры с целью минимизации риска воздействия ЭМП от сварочной цепи:

- Для уменьшения магнитного поля сварочные кабели должны быть объединены и как можно более надёжно закреплены с помощью крепёжных материалов (ленты, кабельные стяжки и т.п.).
- Тело и голова сварщика/рабочего должны находиться как можно дальше от сварочного аппарата и кабелей.
- Сварочные и электрические кабели ни в коем случае нельзя наматывать на корпус аппарата.
- Тело сварщика не должно находиться между сварочными кабелями. Оба сварочных кабеля должны находиться вдали от тела сварщика, рядом друг с другом.
- Обратный кабель должен быть подключён к обрабатываемому объекту или изделию максимально близко к участку сварки / резки.
- Запрещается опираться, садиться на источник питания сварочного аппарата, а также работать в непосредственной близости к нему.
- Запрещается производить сварки / резки во время перемещения устройства подачи сварочной проволоки или источника питания сварочного аппарата.

ЭМП также может нарушать работу медицинских имплантатов (кардиостимуляторы и т.п.). В виду этого для людей с медицинскими имплантатами должны быть приняты отдельные меры предосторожности. Например, введение ограничений на доступ для пересекающих дорогу людей, а также оценка индивидуальных рисков для сварщиков. Оценка рисков и выдача рекомендаций для пользователей с медицинскими имплантатами должна выполняться медицинским работником.

**Защита**



- Не подвергайте оборудование воздействию дождя, избегайте попадания на оборудование брызг воды или пара под давлением.

**Энергоэффективность**



- Выберите метод сварка / резка и сварочный аппарат, соответствующий запланированным сварочным работам.
- Установите параметры сварочного тока и/или напряжения, соответствующие материалу, подлежащему сварки / резки, а также его толщине.
- При длительном простое сварочного оборудования выключите оборудование после его охлаждения вентилятором. Наше оборудование (наша продукция), оснащённое вентилятором с интеллектуальным управлением, отключается автоматически.

**Процедура утилизации  
отходов**



- Это устройство не является бытовым мусором. Утилизация устройства должна осуществляться в рамках национального законодательства в соответствии с директивой Европейского Союза.
- Получите информацию об утилизации отходов вашего использованного оборудования у вашего дилера и компетентных лиц.

## ТЕХНИЧЕСКАЯ ИНФОРМАЦИЯ

### 1.1 *Общее описание*

Монофазные портативные сварочные аппараты инверторного типа Monotig 160i и Monotig 200i предназначены для TIG-сварки постоянным током и сварки покрытым электродом. Предназначен для TIG-сварки всех видов металлов, за исключением алюминия, и сварки покрытым электродом диаметром до 4 мм. Сварочный ток, продолжительность и установленные параметры программ отображаются на цифровом экране. Monotig 160i и Monotig 200i, предназначены для работы от сетевого электропитания в диапазоне напряжений 160 В - 240 В при частоте 50/60 Гц, не подвержен влиянию колебаний сетевого напряжения и может превосходно работать от генератора. Сварочные аппараты Monotig 160i и Monotig 200i могут использоваться со сварочным кабелем длиной до 25 м. В аппарате предусмотрено охлаждение от вентилятора и термическая защита от чрезмерного перегрева.

### 1.2 *Комплекующие сварочного аппарата*

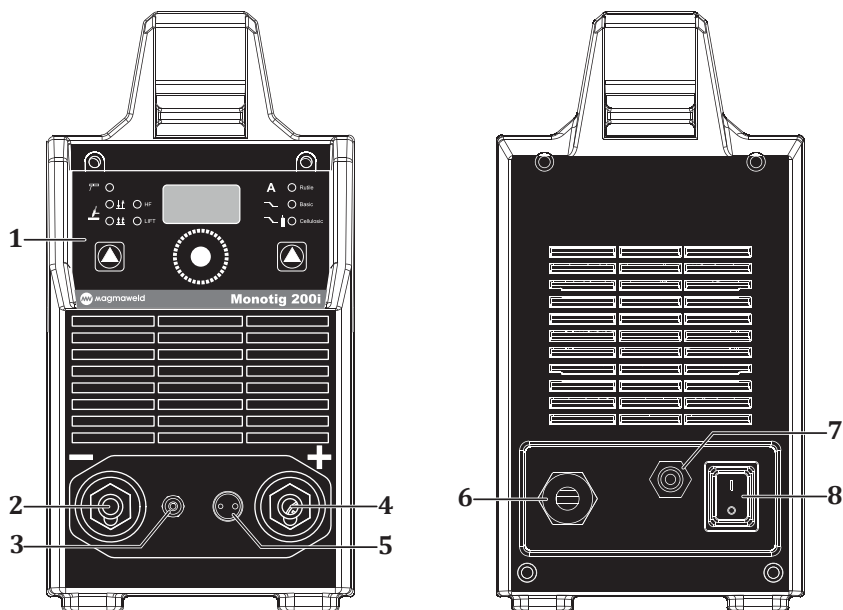


Рисунок 1 : Вид Спереди И Сзади

- |  |  |
|--|--|
| 1- Панель управления                           | 5- Соединения системы управления триггера    |
| 2- Гнездо сварочного и заземляющего кабеля (-) | 6- Вход кабеля питания                       |
| 3- Выходное гнездо для газа                    | 7- Гнездо для подсоединения газового баллона |
| 4- Гнездо сварочного и заземляющего кабеля (+) | 8- Кнопка включения/выключения               |

## 1.3 Этикетка продукта

MAGMA MEKATRONIK MAKİNE SAN. VE TİC. A.Ş. Organize Sanayi Bölgesi 5.Kısım Manisa-TÜRKİYE			
MONOTIG 160i		Seri No:	
		EN 60974-1 / EN 60974-10 Class A	
	---	5A / 10.2V - 160A / 16.4V	
		X	30%    60%    100%
	U <sub>0</sub> = 65V	U <sub>2</sub>	16.4V    14.5V    13.5V
		I <sub>1</sub>	21.8A    14.6A    10.6A
		S <sub>1</sub>	5.01kVA    3.36kVA    2.44kVA
		I <sub>1max</sub>	=21.8A    I <sub>1eff</sub> =11.95A
	---	5A / 20.2V - 160A / 26.4V	
		X	20%    60%    100%
	U <sub>0</sub> = 65V	U <sub>2</sub>	26.4V    23.7V    22.9V
		I <sub>1</sub>	32.2A    17.4A    13.7A
		S <sub>1</sub>	7.41kVA    4kVA    3.15kVA
		I <sub>1max</sub>	= 32.2A    I <sub>1eff</sub> =14.41A
	U <sub>i</sub> = 230V	I <sub>1max</sub> = 32.2A	I <sub>1eff</sub> = 14.41A
	IP23S		

MAGMA MEKATRONIK MAKİNE SAN. VE TİC. A.Ş. Organize Sanayi Bölgesi 5.Kısım Manisa-TÜRKİYE			
MONOTIG 200i		Seri No:	
		EN 60974-1 / EN 60974-10 Class A	
	---	5A / 10.2V - 200A / 18V	
		X	25%    60%    100%
	U <sub>0</sub> = 65V	U <sub>2</sub>	18V    15.2V    14V
		I <sub>1</sub>	29.1A    17.1A    12.5A
		S <sub>1</sub>	6.69kVA    3.93kVA    2.88kVA
		I <sub>1max</sub>	=29.1A    I <sub>1eff</sub> =14.55A
	---	5A / 20.2V - 200A / 28V	
		X	14%    60%    100%
	U <sub>0</sub> = 65V	U <sub>2</sub>	28V    23.9V    23V
		I <sub>1</sub>	41.5A    18.9A    14.2A
		S <sub>1</sub>	9.55kVA    4.35kVA    3.27kVA
		I <sub>1max</sub>	= 41.5A    I <sub>1eff</sub> =15.54A
	U <sub>i</sub> = 230V	I <sub>1max</sub> = 41.5A	I <sub>1eff</sub> = 15.54A
	IP23S		

Однофазный Трансформатор - Выпрямитель



TIG - Сварка



MMA - Сварка



Постоянный Ток



Вертикальный характеристика



Сетевой Вход-1-Фазный Переменный Ток



Пригоден Для Работы В Опасных Условиях

X Рабочий Цикл

U<sub>0</sub> Напряжение Работы Без Нагрузки

U<sub>1</sub> Напряжение И Частота Сети

U<sub>2</sub> Номинальное Напряжение Сварочного Тока

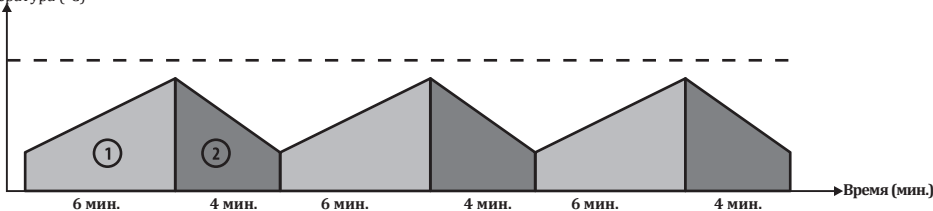
I<sub>1</sub> Номинальное Потребление Тока Сети

I<sub>2</sub> Номинальный Сварочный Ток

S<sub>1</sub> Потребляемая Мощность Сети

IP23S Класс Защиты

Рабочий цикл  
Температура (°C)



Согласно стандарту EN 60974-1, продолжительность рабочего цикла включает период времени 10 минут. Например, если машина, указанная как 250A при% 60, должна работать при 250A, машина может выполнять сварку / резку без перерыва в первые 6 минут из 10-минутного периода (зона 1). Тем не менее, следующие 4 минуты следует оставить без нагрузки для охлаждения машины (зона 2).

## 1.4 Технические характеристики

ТЕХНИЧЕСКИЕ ХАРАКТЕРИСТИКИ	Ед. изм.	monoTIG 160i	monoTIG 200i
Сетевое Напряжение (1 фаза - 50-60 Гц)	V	230	230
Входная Мощность (ММА)	kVA	7.41 (%30)	9.55 (%25)
Входная Мощность (TIG)	kVA	5.01 (%30)	6.69 (%25)
Диапазон Настройки Сварочного Тока	ADC	5 - 160	5 - 200
Номинальный сварочный ток	ADC	160 (%30)	200 (%25)
Напряжение открытого контура сварки	VDC	65	65
Диапазон диаметров сварочных электродов	mm	1.60 - 3.25	2.00 - 4.00
Диапазон диаметров вольфрамовых электродов	mm	1.20 - 2.40	1.00 - 2.40
Размеры (ДхШхВ)	mm	520 x 160 x 312	520 x 160 x 312
Вес	kg	9.5	10
Класс защиты		IP 23S	IP 23S

## 1.5 Вспомогательные устройства и приспособления

СТАНДАРТНЫЕ АКСЕССУАРЫ	КОЛ-ВО	monoTIG 160i	monoTIG 200i
Клемма и кабель заземления	1	7905212503 (25 mm <sup>2</sup> - 3 m)	7905212503 (25 mm <sup>2</sup> - 3 m)
Газовый шланг	1	7907000002	7907000002
Горелка (с воздушным охлаждением, 4 м)	1	7110018004	7110018004
ДОПОЛНИТЕЛЬНЫЕ АКСЕССУАРЫ	КОЛ-ВО	monoTIG 160i	monoTIG 200i
Зажим электрода и кабель	1	7906201603	7910005200
Блок водяного охлаждения (CSP 40)	1	7910005200	7020001004
Газовый регулятор	1	7020001004	7110018004
Горелка TIG Lava TIG 26 (8 м) с воздушным охлаждением	1	7110018008	7110018008
Горелка TIG Lava TIG 18 Вт (4 м) с водяным охлаждением	1	7110038004	7110038004
Горелка TIG Lava TIG 18 Вт (8 м) с водяным охлаждением	1	7110038008	7110038008
Набор принадлежностей для сварки TIG с воздушным охлаждением (горелка + регулятор)	1	7910000510	7910000510
Набор принадлежностей для сварки TIG с водяным охлаждением (горелка + регулятор)	1	7910000530	7910000530
Ножная педаль (Вкл. / Выкл.)	1	7910000130	7910000130
Тележка	1	7910000100	7910000100

## ИНФОРМАЦИЯ ПО УСТАНОВКЕ И НАСТРОЙКЕ

### 2.1 Контроль доставки

RU

Убедитесь, что вместе со сварочным аппаратом доставлены все заказанные материалы. В случае отсутствия или повреждения какого-либо материала, немедленно свяжитесь с компанией, у которой был приобретен сварочный аппарат.

Стандартная комплектация сварочного аппарата содержит следующее:

- Главный корпус сварочного аппарата и сетевой кабель, подключенный к аппарату
- Клемма и кабель заземления
- Руководство по эксплуатации
- Гарантийный талон

В случае если во время получения аппарата будут выявлены повреждения, составьте протокол и сфотографируйте повреждения. Приложите протокол и фотографии к фотокопии накладной и известите транспортную компанию. В случае отсутствия ответа на ваше обращение в транспортную компанию, обратитесь в службу поддержки клиентов.

### Символы и обозначения, установленные на сварочном аппарате:



Процесс сварки представляет опасность для человека и окружающих предметов. Выполнение сварки должно осуществляться в соответствующих условиях с принятием необходимых мер безопасности. Ответственность за сохранность и исправность сварочного аппарата, обеспечение необходимого оснащения возлагается на специалистов. Предупредите нахождение посторонних людей вблизи сварочного аппарата.



Данный сварочный аппарат не соответствует стандарту IEC 61000-3-12. В случае если сварочный аппарат будет подключён к сети низкого напряжения, используемого для электроснабжения жилых помещений, пользователь несёт полную ответственность за обеспечение выполнения работ подключения электрических соединений сварочного аппарата электротехником или пользователем аппарата, имеющим знания и навыки по вопросам подключения сварочного аппарата.



Будьте внимательны и строго соблюдайте все символы и предупреждения безопасности, установленные на сварочном аппарате и указанные в Руководстве по эксплуатации. Запрещается удалять этикетки, установленные на сварочном аппарате.



Решётки предназначены для обеспечения вентиляции внутренних частей сварочного аппарата. С целью обеспечения хорошего охлаждения, запрещается закрывать доступ к открытым частям аппарата и размещать инородные предметы внутрь корпуса устройства.

### 2.2 Рекомендации по установке и эксплуатации

- Для обеспечения хороших рабочих характеристик обеспечьте размещение сварочного аппарата не менее чем на 30 см от окружающих предметов. Предупреждайте чрезмерный нагрев, запыление и увлажнение среды, в которой выполняется эксплуатация сварочного аппарата.
- Не выполняйте эксплуатацию сварочного аппарата под прямыми солнечными лучами. При работе в среде с температурой воздуха выше 40°C, выполняйте работы на сварочном аппарате при более низком сварочном токе или при более низком уровне продолжительности включения.
- Избегайте выполнения сварочных работ вне помещений при ветре или дожде. Если необходимо выполнение сварочных работ при таких погодных условиях, обеспечьте защиту сварочной зоны и сварочного аппарата завесой или тентом. Если сварка выполняется внутри помещения, обеспечьте достаточную систему вытяжки сварочного дыма. При выполнении сварки в закрытых помещениях, в связи с риском вдыхания сварочного дыма и газов, используйте респираторные системы.
- Соблюдайте уровень продолжительности включения сварочного аппарата, указанного на заводской табличке устройства. Частое превышение времени работы под нагрузкой может стать причиной повреждения сварочного аппарата и аннулирования гарантийного срока.

- Используйте предохранитель с характеристиками, подходящими для вашей системы.
- Подключите заземляющий кабель по мере возможности ближе к зоне сварки.
- Не допускайте прохождение сварочного тока по оборудованию, за исключением сварочных кабелей.
- Закрепите газовый баллон на стене с помощью цепи.
- Во время работы сварочного аппарата не наматывайте сварочные кабели и сетевой кабель на корпус сварочного аппарата.

## 2.3 Соединения для сварки TIG

### 2.3.1 Подсоедините аппарат к сети и включите



*Перед подключением сварочного аппарата к сети, в первую очередь, проверьте наличие соответствующего напряжения сети.*

- Переведите машину в положение “ВЫКЛ.” “0” и вставьте вилку в розетку.
- ВКЛЮЧИТЕ машину с помощью выключателя питания. Обратите внимание, что сам переключатель и светодиодные индикаторы на передней панели светятся, также вы должны слышать звук вентилятора кулера.

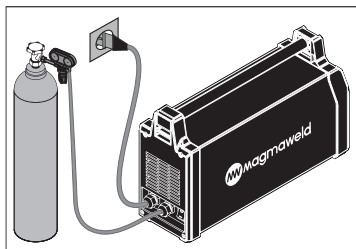
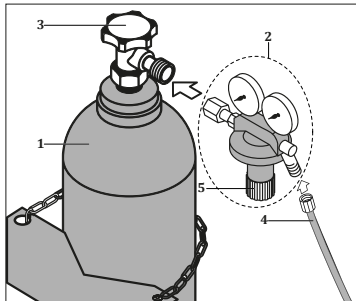


Рисунок 2 : Подключение газа и сети

### 2.3.2 Газовые соединения

- Прикрепите газовый баллон к стене цепью. Для обеспечения безопасности и получения наилучших результатов используйте утвержденные регуляторы.
- Откройте вентиль газового баллона несколько раз, чтобы удалить возможную грязь или частицы.
- Подсоедините газовый регулятор к баллону, убедитесь, что резьба выхода газа баллона и гайки регулятора совпадают.
- Подсоедините один конец газового шланга к регулятору газа, а другой конец - к входному отверстию подачи газа. Откройте вентиль газового баллона.



- Установите количество газа с помощью клапана регулировки давления.
- Убедитесь, что нет утечки газа из каких-либо соединений.

Диаметр электрода (мм)	Диаметр сопла (мм)	Сварочный ток (ADC)	Дебет газа (л / мин)
1.0	6.3	30-70	6-8
1.6	9.5	30-150	6-8

Рисунок 3: Газовый баллон - Регулятор - Шланговые соединения



### 2.3.3 Подготовка подключений резака

Подключение горелки TIG через адаптер для горелки CX79 TIG

- Проденьте гайку резака через пластиковый корпус и плотно прикрутите к вилке резака. Затем вставьте вилку резака в пластиковый корпус.
- Пропустите переходник газового шланга L-образной формы через отверстие в пластиковом корпусе и плотно прикрутите его к розетке.
- Плотно подсоедините газовый шланг к угловому штуцеру с помощью зажима.
- Установите штыри разъема на кабели управления резака.

### 2.3.4 Подключения резака

- Вставьте вилку горелки TIG в сварочный патрубок отрицательного полюса и затяните, повернув вправо. Присоедините разъем пускового курка резака, поставляемый с аппаратом, к тросам управления пусковым механизмом резака. Затем подключите разъем к разъему управления спусковым крючком.
- Подсоедините газовый шланг горелки к выходу газа.
- В моделях с водяным охлаждением подсоедините холодный “синий” шланг резака к выпускному отверстию для холодной воды на машине, а горячий “красный” шланг - к впускному отверстию для горячей воды на машине.

### 2.3.5 Зажимы заземления

- Плотно подсоедините штекер заземляющего кабеля к плюсовому сварочному разъему.
- Для повышения качества сварки плотно подсоедините зажим заземления к заготовке как можно ближе к зоне сварки.

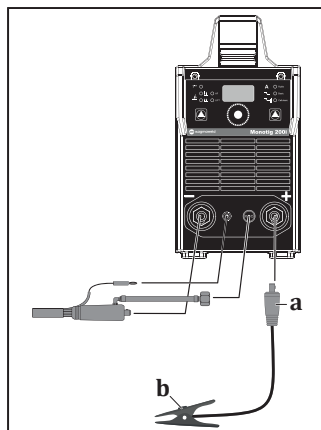


Рисунок 4 : Соединения для сварки TIG

### 2.3.6 Замена вольфрамового электрода

- Отвинтите зажимной колпачок.
- Снимите имеющийся вольфрамовый электрод с цанги и вставьте новый электрод.
- Вставьте цангу в резак.
- Плотно закрутите зажимную крышку.
- Диаметр керамического газового сопла и вольфрамового электрода следует выбирать в соответствии с рабочим током и формой заготовки. Поэтому цанга, корпус цанги должны соответствовать диаметру вольфрамового электрода.

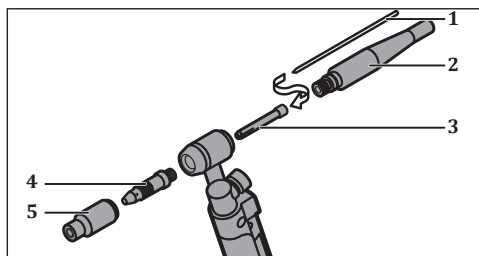
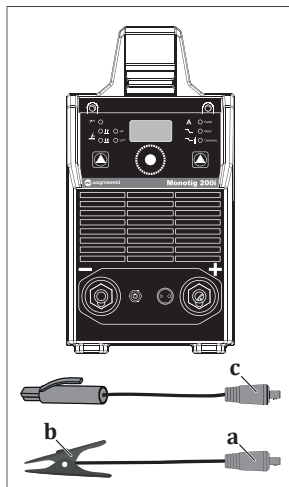


Рисунок 5 : Замена вольфрамового электрода

### 2.4 Соединения для сварки ММА

- Включите машину, следуя инструкциям.
- Вставьте кабель электрододержателя и кабель заземляющего зажима в соответствии с полярностью используемого электрода. вставьте вилки в соответствующие гнезда и затяните их, повернув по часовой стрелке.
- Плотно подсоедините зажим заземления к заготовке как можно ближе к зоне сварки.
- Отрегулируйте желаемый ток, и аппарат готов к сварке.
- Таблица ниже дана в качестве справочной для регулировки тока электродов из мягкой стали, пожалуйста, обратитесь к рекомендациям производителя электродов.

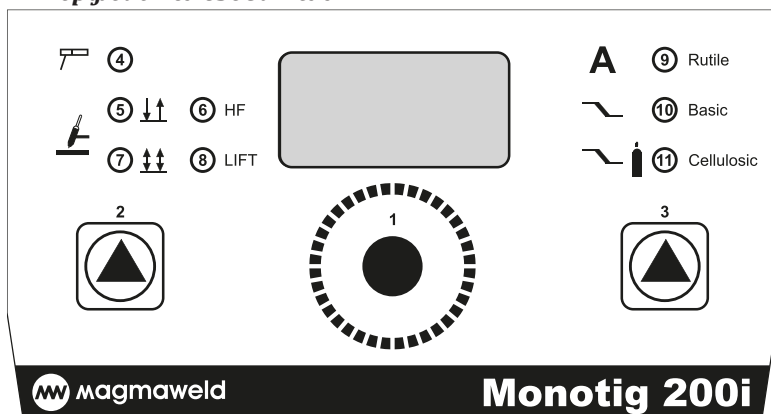


Диаметр покрытого электрода (мм)	Рекомендуемый сварочный ток		
	Рутит	Базовый	Целлюлозный
2.0	40-60 А	-	-
2.5	60-90 А	60-90 А	60-100 А
3.25	100-140 А	100-130 А	70-130 А
4.0	140-180 А	140-180 А	120-170 А

Рисунок 6 : Соединения для сварки ММА

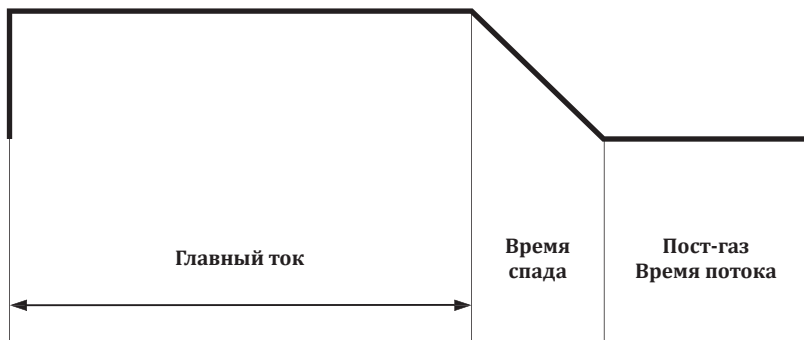
## ✂ ИНФОРМАЦИЯ ПО ЭКСПЛУАТАЦИИ

### 3.1 Интерфейс пользователя



1	<b>Ручка регулятора настроек</b> Используется для увеличения или уменьшения выбранного параметра.
2	<b>Кнопка выбора режима сварки</b> Используется для выбора одного из режимов сварки: сварка покрытым электродом, TIG-сварка с высокочастотным поджигом дуги (HF) и TIG-сварка с поджигом дуги касанием электрода.
3	<b>Кнопка выбора продолжительности сварки, типа газа и электрода</b>
4	<b>Светодиод режима MMA (ручная дуговая сварка штучными электродами)</b> Активизирует режим сварки покрытым электродом
5	<b>Светодиод 2-тактного режима работы триггера горелки</b> При нажатии на триггер сварочный процесс начинается. При отпускании триггера сварка закончится.
6	<b>Высокочастотный поджиг дуги (HF)</b> В этом режиме поджиг дуги происходит при приближении электрода к рабочей заготовке без касания при помощи высокочастотного разряда в среде газа.
7	<b>Светодиод 4-тактного режима работы триггера горелки</b> Нажатием и отпусканием триггера возникает розжиг души и начинается сварочный процесс. Если повторно нажать и отпустить триггер, сварка закончится.
8	<b>Розжиг дуги</b> При включенном триггере горелки розжиг дуги выполняется путем касания электродом рабочей заготовки.
	Когда горит светодиод № 9 и аппарат находится в режиме TIG, он уменьшает или увеличивает сварочный ток с помощью потенциометра № 1. Когда горит светодиод 10 и машина находится в режиме TIG, время торможения в конце устанавливается с помощью потенциометра 1. Если аппарат находится в режиме TIG, когда вы нажимаете и удерживаете 1-ю кнопку, открывается настройка предварительной подачи газа. Поворачивая горшок 1 вправо и влево, параметр переднего газа регулируется, нажмите горшок 1 еще раз, чтобы выйти из режима настройки. Когда горит светодиод № 11 и аппарат находится в режиме TIG, параметр последнего газа устанавливается с помощью емкости №. Когда режим сварки 4 покрытым электродом выбран с помощью клавиши 2, выбор электрода с 9 единицами рутила, 10 без основного, 11 без целлюлозного электрода регулируется с помощью кнопки 3.

## 3.2 Цикл TIG



## 3.3 Структура меню

Состояния включения или выключения функций в зависимости от режима следующие.

Параметр	Диапазон	Заводские настройки	ВБЛ	Сварка MMA	2-тактный TIG	4-тактный TIG	Точечная сварка TIG
					DC	DC	DC
Главный ток	5-200 А	80 А	19	✓	✓	✓	✓
Время спада	0-10 сек	1 сек	23		✓	✓	
Пост-газ Время потока	0-20 сек	2 сек	25		✓	✓	

### 3.3.1 Процесс сварки TIG



**В режиме HF Start TIG на горелке присутствует высокое напряжение зажигания. Никогда не дотрагивайтесь до вольфрамового электрода или деталей, проводящих сварочный ток, когда аппарат включен.**

- 10 программ заданий, включая полные настройки параметров, могут быть сохранены и запущены для повторяющихся заданий.
- При первом использовании все параметры всех программ имеют заводские настройки, которые показаны в таблице.
- Нажмите кнопку выбора программы. Для выбора ранее настроенной программы или изменения ее параметров.
- Нажмите кнопку выбора режима сварки, чтобы выбрать Touch-Lift TIG для HF start TIG.
- Нажмите кнопку выбора «2-тактный - 4-тактный - точечная сварка», чтобы выбрать соответствующий режим работы.
- Последние настроенные значения параметров будут сохранены автоматически. Больше ничего делать для сохранения настроек не нужно.

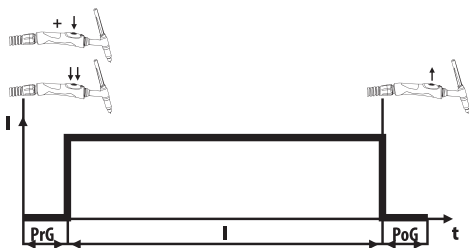
Диаметр электрода “мм”	Рекомендуемый сварочный ток TIG “А”
1.6	30-130
2.0	45-180
2.4	70-240

### 3.3.2 Использование режимов TIG-сварки

#### 2 тактный режим TIG-сварки

Если нажать и удерживать триггер горелки после подачи предварительного газа возникнет начальный ток и в течение периода увеличения силы тока, ток увеличится до верхнего значения сварочного тока. До тех, пока триггер будет находиться в нажатом состоянии, сварочный процесс будет продолжаться при верхних значениях сварочного тока.

После отпускания триггера сила тока будет снижаться в течение времени конечного тока и снизится до установленного значения конечного тока. После этого система выполнит продувку газа в конце сварки.



PrG : Время предварительной продувки газа

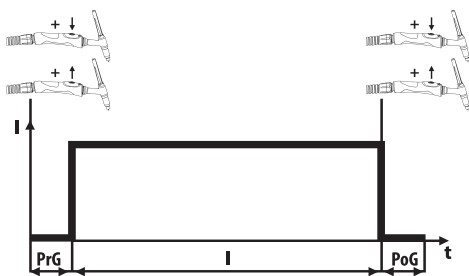
I : Сварочный ток

PoG : Время конечной продувки газа

#### 4 тактный режим TIG-сварки

Если нажать и удерживать триггер горелки, после подачи предварительного газа возникнет начальный ток и в течение периода увеличения силы тока, ток увеличится до верхнего значения сварочного тока. В режиме сварки при постоянном токе (DC) сварка выполняется при верхнем значении сварочного тока, в режиме импульсной сварки при постоянном токе (DC PULSE) сварка будет выполняться при выбранной частоте колебаний между верхним и нижним значением сварочного тока. Если нажать и удерживать триггер в течение некоторого времени более 1 сек., после отпускания триггера сварочный ток начнет снижаться в течение установленного времени и снизится до силы конечного тока. Вслед за этим будет выполнена продувка газа в конце сварки.

Во время сварки нижние значения тока, как правило, используются для ремонта или легкого охлаждения сварочного шва, в конце сварки - для заполнения и конечной заварки кратера. Если в конце сварки нажать на триггер горелки в течение менее 1 сек., (в режиме сварки при постоянном токе (DC) и в режиме импульсной сварки (PULSE DC)), сварочный ток переключится на нижнее значение и можно выполнять заполнение кратера; если нажать на триггер в течение некоторого времени более 1 сек., сварочный ток начнет снижаться с нижнего значения до значения конечного тока в течение установленного времени. Конечный ток предназначен для обеспечения контролируемого охлаждения мест окончания сварки и устранения риска образования трещин.



PrG : Время предварительной продувки газа

I : Сварочный ток

PoG : Время конечной продувки газа

### 3.3.3 Метод сварки покрытым электродом

Нажмите и удерживайте кнопку выбора режима сварки до тех пор, пока не загорится светодиод режима сварки покрытым электродом. При помощи кнопки выбора типа электрода, выберите тип электрода, который будет использоваться для выполнения сварочных работ. В режиме сварки покрытым электродом номера программ сварочных процессов и параметры сварки не активируются. В этом режиме активен только светодиод сварочного тока. При помощи ручки настройки параметров установите значение сварочного тока.



## ТЕХОБСЛУЖИВАНИЕ И УСТРАНЕНИЕ НЕИСПРАВНОСТЕЙ

- Техобслуживание и ремонт сварочного аппарата должны выполняться только квалифицированными специалистами. Компания не несёт ответственности в связи с аварийными ситуациями, возникающими в результате выполнения техобслуживания и ремонта лицами без соответствующей квалификации.
- Запасные части, используемые во время ремонта, можно приобрести в авторизованных техслужбах. Использование оригинальных запасных частей обеспечит продление срока эксплуатации и предупредит снижение рабочих показателей сварочного аппарата.
- Обращайтесь только к производителю или в авторизованные техслужбы, указанные производителем.
- В течение гарантийного срока выполнение любых вмешательств в конструкцию сварочного аппарата без предварительного согласия производителя может стать причиной аннулирования всех гарантийных обязательств производителя.
- Во время выполнения любых процедур техобслуживания и ремонта обязательно соблюдайте правила техники безопасности.
- Перед началом выполнения любых видов процедур техобслуживания или ремонта отсоедините вилку сетевого кабеля сварочного аппарата и выждите 10 секунд для разряда напряжения на конденсаторах.

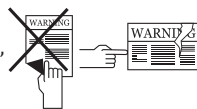
RU

### 4.1 Техобслуживание



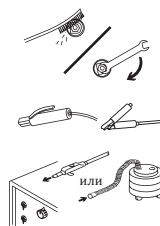
#### Ежедневное техобслуживание

- Проверьте горелку, зажимы и кабели. Обратите внимание на состояние и прочность соединений частей. Повреждённые/неисправные части замените на новые. Категорически запрещается выполнять ремонт/удлинение кабеля.
- Убедитесь, что имеется достаточная площадь для обеспечения вентиляции.
- Регулярно выполняйте очистку расходных деталей TIG-горелки. Если необходимо, замените. Для обеспечения продолжительного срока службы расходных деталей, обратите внимание, чтобы использовались оригинальные расходные материалы.
- Перед началом сварки проверьте расходомером скорость расхода газа на конце горелки. Если расход газа высокий или низкий, установите уровень расхода в соответствии со сварочным процессом.



#### Один раз в 6 месяцев

- Запрещается удалять этикетки с поверхности сварочного аппарата. Изношенные/повреждённые этикетки замените на новые. Этикетки можно приобрести в авторизованных техслужбах.
- Очистите и зажмите соединительные элементы, такие как гайки и болты.
- Проверьте кабели электрододержателя и клеммы заземления.
- Откройте боковые крышки сварочного аппарата и очистите внутреннюю часть при помощи сухого воздуха под низким давлением. Не используйте воздух под давлением на близком расстоянии от электрических соединений.
- Проверьте розетку подсоединения вилки электрического кабеля питания сварочного аппарата. В точках подсоединения электрического кабеля питания к розетке устраните места ослабления соединений, если имеются. Если в гнездах розетки имеются следы воздействия электрической дуги или расширение гнезд, замените розетку на новую.



- Проверьте вилку электрического кабеля питания сварочного аппарата. В точках подсоединения электрического кабеля питания к вилке устраните места ослабления соединений, если имеются. Если на штырях вилки имеются следы воздействия электрической дуги или деформации, замените вилку на новую.

**ПРИМЕЧАНИЕ:** Указанная выше периодичность означает максимальные периоды, которые следует соблюдать в случае если ваше устройство не имеет каких-либо проблем. Вышеперечисленные процедуры техобслуживания должны выполняться через более короткие периоды времени, в зависимости от интенсивности режима работы аппарата и степени загрязнения рабочей среды.



**Категорически запрещается выполнять сварочные работы при демонтированных крышках корпуса сварочного аппарата.**

## 4.2 Устранение неисправностей

- Горит светодиод термической неисправности и аппарат не выполняет сварку: Аппарат перегрет и сработала защита термостата. Вероятными причинами являются перегрев аппарата в результате продолжительного выполнения сварки при высокой температуре окружающего воздуха или при высоких значениях силы тока. На некоторое время оставьте включенным аппарат, вентилятор выполнит охлаждение аппарата. Продолжайте сварку после охлаждения аппарата и погасания светодиода термической неисправности.
- Вентилятор работает, горит светодиод кнопки вкл./выкл. и аппарат не выполняет сварку. Выключите аппарат и повторно включите через 1 минуту, повторно попробуйте начать сварку. Если сварка не выполняется, обратитесь в техслужбу.

## 4.3 Коды неисправностей

В приведенном ниже списке указаны все коды ошибок сварочных аппаратов. Учитывайте коды ошибок, относящиеся к вашему сварочному аппарату.

Код неисправности	Неисправность	Причина	Устранение
E01	Тепловая защита (Начальный)	<ul style="list-style-type: none"> <li>• Время безотказной работы вашей машины могло быть превышено</li> </ul>	<ul style="list-style-type: none"> <li>• Дайте машине остыть, немного подождите. Если неисправность исчезнет, попробуйте использовать его при более низких значениях силы тока</li> <li>• Если проблема не исчезнет, обратитесь в авторизованный сервисный центр</li> </ul>
		<ul style="list-style-type: none"> <li>• Вентилятор может не работать</li> </ul>	<ul style="list-style-type: none"> <li>• Визуально проверьте, работает вентилятор или нет</li> <li>• Если проблема не исчезнет, обратитесь в авторизованный сервисный центр</li> </ul>
		<ul style="list-style-type: none"> <li>• Передняя часть каналов впуска и выпуска воздуха может быть заблокирована</li> </ul>	<ul style="list-style-type: none"> <li>• Откройте воздухопроводы</li> <li>• Если проблема не исчезнет, обратитесь в авторизованный сервисный центр</li> </ul>
		<ul style="list-style-type: none"> <li>• Рабочая среда машины может быть очень жаркой или душной</li> </ul>	<ul style="list-style-type: none"> <li>• Убедитесь, что рабочая среда машины не слишком жаркая или душная</li> <li>• Если проблема не исчезнет, обратитесь в авторизованный сервисный центр</li> </ul>



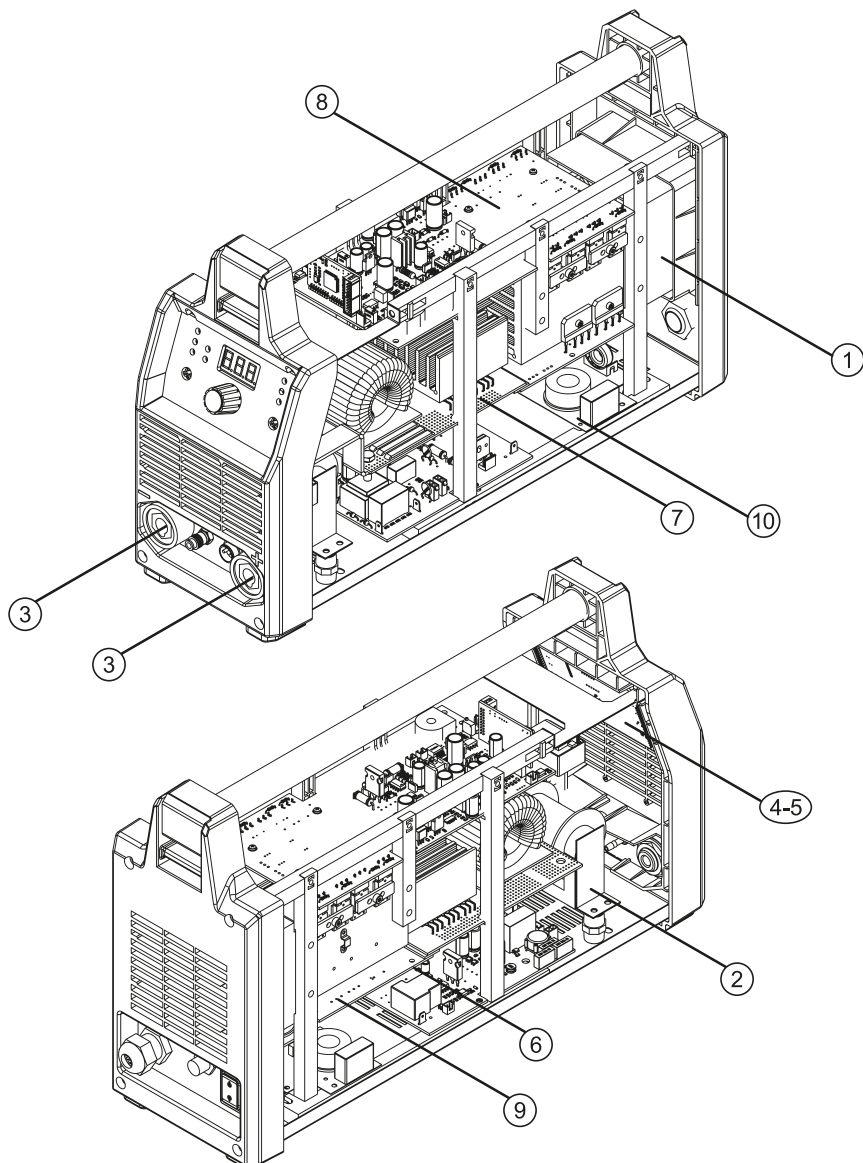
Код неисправности	Неисправность	Причина	Устранение
E02	Низкое напряжение сети	<ul style="list-style-type: none"><li>Возможно, упало сетевое напряжение</li></ul>	<ul style="list-style-type: none"><li>Проверьте кабели подключения к сети и напряжение. Убедитесь, что подано правильное входное напряжение. Если сетевое напряжение в норме, обратитесь в авторизованный сервисный центр</li></ul>
E03	Напряжение сети высокое	<ul style="list-style-type: none"><li>Возможно, напряжение в сети увеличилось</li></ul>	<ul style="list-style-type: none"><li>Проверьте кабели подключения к сети и напряжение. Убедитесь, что подано правильное входное напряжение. Если сетевое напряжение в норме, обратитесь в авторизованный сервисный центр</li></ul>



## ПРИЛОЖЕНИЕ

RU

### 5.1 Список запасных частей



## 5.1 Список запасных частей

№	ОПИСАНИЕ	monoTIG 160i
1	Компактный вентилятор	A250200026
2	ВЧ дроссель	A490900023
	Датчик Холла 300А	A830900004
3	Гнездо сварочного кабеля	A377900104
4	Электронная плата E505A-1	K405000186
5	Электронная плата E505A-2	K405000187
6	Электронная плата E505A-3	K405000185
7	Электронная плата E203A PWR/200TIG	K405000176
8	Электронная плата M.TIG 200I E204A-GR	K405000191
9	Электронная плата E203A AC PWR	K405000226
10	Электронная плата E201B-FLT TIG/	K405000295

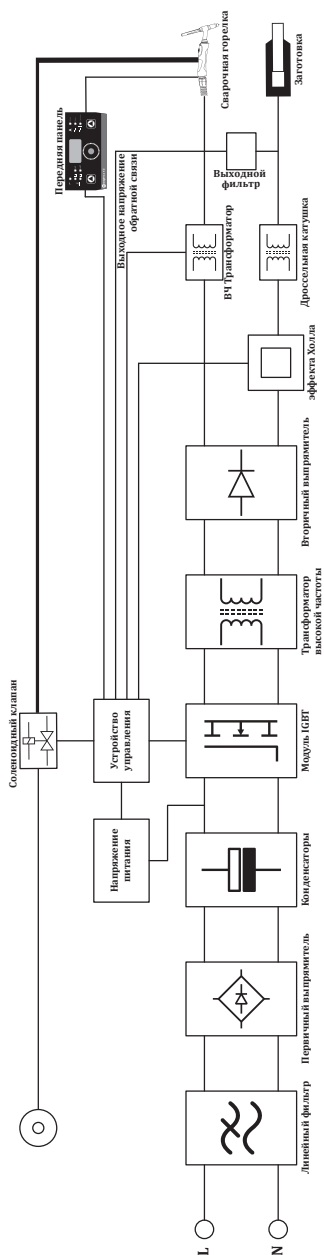
RU

## 5.1 Список запасных частей

№	ОПИСАНИЕ	monoTIG 200i
1	Компактный вентилятор	A250200026
2	ВЧ дроссель	A490900023
	Датчик Холла 300А	A830900004
3	Гнездо сварочного кабеля	A377900104
4	Электронная плата E505A-1	K405000186
5	Электронная плата E505A-2	K405000187
6	Электронная плата E505A-3	K405000185
7	Электронная плата E203A PWR/200TIG	K405000176
8	Электронная плата M.TIG 200I E204A-GR	K405000191
9	Электронная плата E203A AC PWR	K405000226
10	Электронная плата E201B-FLT TIG/	K405000295

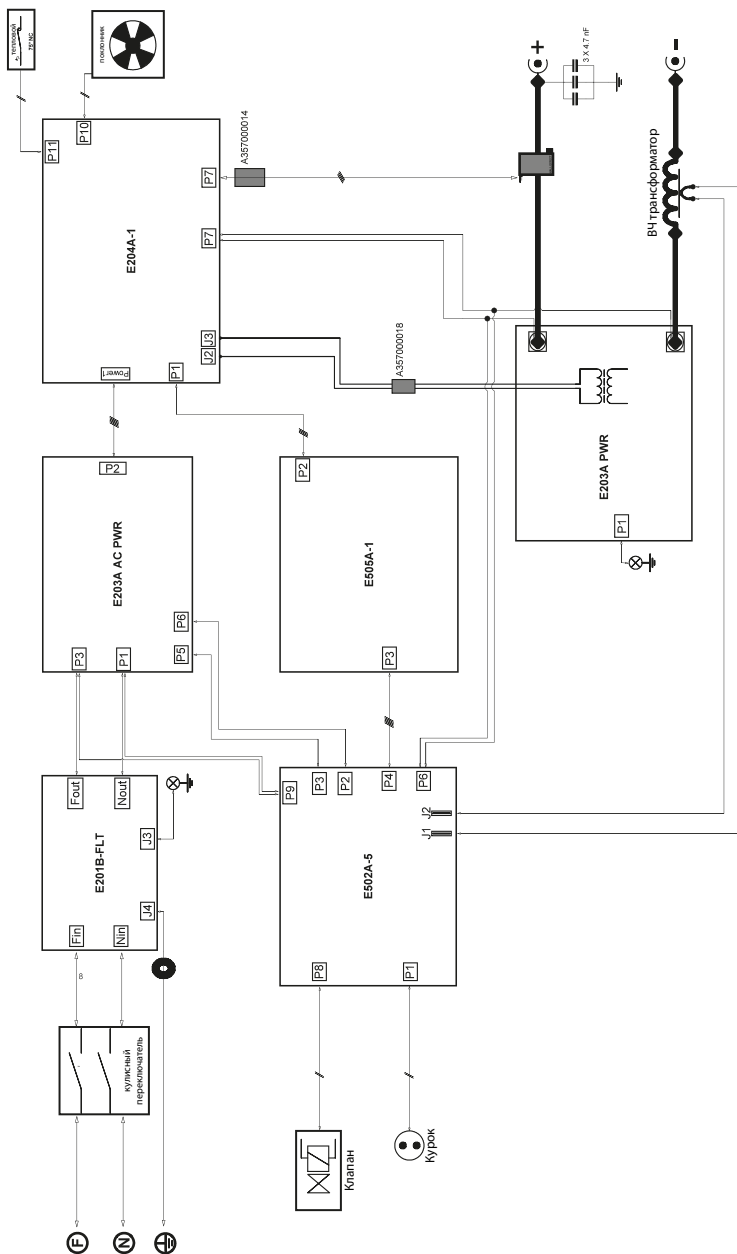
## 5.2 Схемы подключения

## Блок-схема



## Электрическая схема

RU



## İÇİNDEKİLER

	GÜVENLİK KURALLARI	56
<b>1</b>	<b>TEKNİK BİLGİLER</b>	
1.1	Genel Açıklamalar	62
1.2	Makine Bileşenleri	62
1.3	Ürün Etiketi	63
1.4	Teknik Özellikler	64
1.5	Aksesuarlar	64
<b>2</b>	<b>KURULUM BİLGİLERİ</b>	
2.1	Teslim Alırken Dikkat Edilecek Hususlar	65
2.2	Kurulum ve Çalışma Tavsiyeleri	65
2.3	TIG Kaynağı İçin Bağlantılar	66
2.3.1	Makineyi Şebekeye Bağlayın ve Çalıştırın	66
2.3.2	Gaz Bağlantıları	66
2.3.3	Torç Bağlantılarını Hazırlama	67
2.3.4	Torç Bağlantıları	67
2.3.5	Topraklama Pensesi Bağlantıları	67
2.3.6	Tungsten Elektrodu Değiştirme	68
2.4	Örtülü Elektrod Kaynağı İçin Bağlantılar	68
<b>3</b>	<b>KULLANIM BİLGİLERİ</b>	
3.1	Kullanıcı Arayüzü	69
3.2	TIG Eğrisi	70
3.3	Menü Yapısı	70
3.3.1	TIG Kaynağı Yöntemi	70
3.3.2	TIG Kaynağı Tetik Modlarının Kullanımı	71
3.3.3	Örtülü Elektrod Kaynağı Yöntemi	71
<b>4</b>	<b>BAKIM VE ARIZA BİLGİLERİ</b>	
4.1	Bakım	72
4.2	Hata Giderme	73
4.3	Hata Kodları	73
<b>5</b>	<b>EKLER</b>	
5.1	Yedek Parça Listesi	74
5.2	Bağlantı Şemaları	77

## ✓ GÜVENLİK KURALLARI

**Kılavuzda Yer Alan Tüm Güvenlik Kurallarına Uyun!**

### Güvenlik Bilgilerinin Tanınması



- Kılavuzda yer alan güvenlik sembolleri potansiyel tehlikelerin tanımlanmasında kullanılır.
- Bu kılavuzda herhangi bir güvenlik sembolü görüldüğünde, bir yaralanma riski olduğu anlaşılmalı ve takip eden açıklamalar dikkatlice okunarak olası tehlikeler engellenmelidir.
- Makine sahibi, yetkisiz kişilerin ekipmana erişmesini engellemekten sorumludur.
- Makineyi kullanan kişiler kaynak / kesme konusunda deneyimli veya tam eğitimli kişiler olup; çalışma öncesinde kullanma kılavuzunu okumalı ve güvenlik uyarılarına uymalıdır.

### Güvenlik Sembollerinin Tanınması



#### DİKKAT

Yaralanma ya da hasara neden olabilecek potansiyel tehlikeli bir durumu belirtir. Önlem alınmaması durumunda yaralanmalara veya maddi kayıplara / hasarlara neden olabilir.



#### ÖNEMLİ

Kullanıma yönelik bilgilendirmeleri ve uyarıları belirtir.



#### TEHLİKE

Ciddi tehlike olduğunu gösterir. Kaçınılması durumunda ölüm veya ağır yaralanmalar meydana gelebilir.

### Güvenlik Uyarılarının Kavranması



- Kullanım kılavuzunu, makine üzerindeki etiket ve güvenlik uyarılarını dikkatli bir şekilde okuyunuz.
- Makine üzerindeki uyarı etiketlerinin iyi durumda olduğundan emin olunuz. Eksik ve hasarlı etiketleri değiştiriniz.
- Makinenin nasıl çalıştırıldığını, kontrollerinin doğru bir şekilde nasıl yapılacağını öğreniniz.
- Makinenizi uygun çalışma ortamlarında kullanınız.
- Makinenizde yapılabilecek uygunsuz değişiklikler makinenizin güvenli çalışmasına ve kullanım ömrüne olumsuz etki eder.
- Cihazın belirtilen koşullar dışında çalıştırılmasından doğan sonuçlardan üretici sorumlu değildir.

### Elektrik Çarpmaları Öldürebilir



**Kurulum prosedürlerinin ulusal elektrik standartlarına ve diğer ilgili yönetmeliklere uygun olduğundan emin olun ve makinenin yetkili kişiler tarafından kurulmasını sağlayın.**

- Kuru ve sağlam izolasyonlu eldiven ve iş önlüğü giyin. Islak ya da hasar görmüş eldiven ve iş önlüklerini kesinlikle kullanmayın.
- Yanma riskine karşı alev dayanıklı koruyucu kıyafetler giyin. Operatörün kullandığı kıyafetler kıvılcım, sıçrıntı ve ark radyasyonuna karşı koruyucu olmalıdır.
- Yalnız başınıza çalışmayın. Bir tehlike durumunda, çalıştığınız ortamda haber verebileceğiniz birinin olduğundan emin olun.
- Elektroda çıplak elle dokunmayın. Elektrod penselinin veya elektrodun herhangi bir kişi ya da topraklanmış nesne ile temas etmesini engelleyin.
- Elektrik taşıyan parçalara kesinlikle dokunmayın.
- Eğer çalışma yüzeyine, zemine ya da başka bir makineye bağlı elektrodla temas halindeyseniz kesinlikle elektrodla dokunmayın.
- Çalışma yüzeyinden ve zeminden kendinizi izole ederek olası muhtemel elektrik şoklarından koruna bilirsiniz. Çalışma yüzeyiyle operatörün temasını kesecek kadar büyük, yanzmaz, elektriksiz açıdan yalıtıktan, kuru ve hasarsız izolasyon malzemesi kullanın.
- Elektrod pensesine birden fazla elektrod bağlamayın.
- Topraklama pensesini çalışma parçası ya da çalışma masasına metal metale iyi bir temas sağlayacak şekilde olabildiğince yakın bağlayın.
- Makineyi çalıştırmadan önce torcu kontrol edin. Torcun ve kablolarının iyi durumda olduğundan emin olun. Hasarlı, yıpranmış torcu mutlaka değiştirin.
- Çift açık devre voltajı olacağı için 2 farklı makineye bağlı elektrod penselerine aynı anda dokunmayın.
- Makineyi kullanmadığınız durumlarda kapalı tutun ve kabloların bağlantılarını sökün.
- Makineyi tamir etmeden önce tüm güç bağlantılarını ve/veya bağlantı fişlerini çıkartın ya da makineyi kapatın.
- Uzun şebeke kablosu kullanırken dikkatli olun.
- Tüm bağlantıların sıkı, temiz ve kuru olduğundan emin olun.



- Kabloların kuru, temiz olmasına ve yağlanmamasına özen gösterin. Sıcak metal parçalardan ve kıvılcıklardan koruyun.
- İzolasyonsuz, çıplak kablolar ölümcül tehlike yaratır. Tüm kabloları olası hasarlarla karşı sık sık kontrol edin. Hasarlı ya da izolasyonsuz bir kablo tespit edildiğinde derhal tamir edin veya değiştirin.
- Topraklama sensesi iş parçasına bağlı değil ise herhangi bir metal nesneyle temasını önlemek için izole edin.
- Elektrik hattının topraklamasının doğru yapıldığından emin olun.
- AC kaynak çıkışı ıslak, nemli ya da sıkışık alanlarda ve düşme tehlikesi bulunan yerlerde kullanmayın.
- AC çıkışı yalnızca kaynak prosesi için gerekli olduğu durumlarda kullanın.
- AC çıkış gerekli olduğu durumlarda eğer makinanızda mevcut ise uzaktan kontrol ünitesini kullanın.

**Aşağıdaki elektriksiz açıldan tehlike içeren durumlardan biri mevcut olduğunda ekstra güvenlik önlemleri alın;**

- Nemli yerlerdeyken veya ıslak kıyafetler giyerken,
  - Metal zemin, ızgara veya iskele yapılarında iken,
  - Oturma, diz çökme veya yatma gibi sıkışık konumlarda iken,
  - İş parçası veya zemine temas etme riski yüksek veya kaçınılmaz olduğunda.
- Bu durumlarda aşağıdaki ekipmanlar kullanılabilir;
- Yarı otomatik DC sabit gerilim (CV) MIG kaynak makinesi,
  - DC manuel Örtülü elektrod kaynak makinesi,
  - Var ise düşük açık devre gerilimine (VRD) sahip DC veya AC kaynak makinesi.

**Elektrik Çarpması  
Durumunda  
Uygulanması  
Gerekenler**



- Elektrik gücünü kapatın.
- Elektrik şokuna kapılmış kazazedeyi elektrik taşıyan kablo veya parçalardan kurtarmak için kuru odun gibi iletken olmayan malzemeler kullanın.
- Acil servisi arayın.

**İlk yardım eğitiminiz var ise;**

- Kazazede nefes alamıyorsa elektrik kaynağı ile temas kesildikten hemen sonra kalp masajı (CPR) uygulayın. Solunum başlayana veya yardım gelene kadar kalp masajına devam edin.
- Otomatik bir elektronik defibrilatörün (AED) mevcut olduğu durumlarda talimatlara uygun şekilde kullanın.
- Elektrik yanığını termal yanık gibi soğuk kompres uygulayarak tedavi edin.
- Enfeksiyon kapmasını önleyin ve temiz, kuru bir örtü ile örtün.

**Hareketli Parçalar  
Yaralanmalara  
Yol Açabilir**



- Hareket halinde olan nesnelere uzak durun.
- Makine ve cihazlara ait tüm kapak, panel, kapı vb. koruyucuları kapalı ve kilitli tutun.
- Ağır cisimlerin düşme olasılığına karşı metal burunlu ayakkabı giyin.

**Duman ve Gazlar  
Sağlığınız İçin  
Zararlı Olabilir**



**Kaynak ve kesme işlemi yapılırken çıkan duman ve gazın uzun süre solunması çok tehlikelidir.**

- Gözlerde, burunda ve boğazda meydana gelen yanma hissi ve tahrişler; yetersiz havalandırmanın belirtileridir. Böyle bir durumda derhal havalandırmayı arttırın, sorunun devam etmesi halinde kaynak / kesme işlemini durdurun.
- Çalışma alanında doğal ya da suni bir havalandırma sistemi oluşturun.
- Kaynak / kesme işlemi yapılan yerlerde uygun bir duman emme sistemi kullanın. Gerekiyorsa tüm atölyede biriken duman ve gazları dışarıya atabilecek bir sistem kurun. Deşarj esnasında çevreyi kirletmemek için uygun bir filtrasyon sistemi kullanın.
- Dar ve kapalı alanlarda çalışıyorsanız veya kurşun, berilyum, kadmiyum, çinko, kaplı ya da boyalı malzemelerin kaynağını yapıyorsanız, yukarıdaki önlemlere ilave olarak temiz hava sağlayan maskeler kullanın.
- Gaz tüpleri ayrı bir bölgede gruplandırılmışsa buraların iyi havalandırılması sağlayın, gaz tüpleri kullanımında değilken ana vanalarını kapalı tutun, gaz kaçaklarına dikkat edin.
- Argon gibi koruyucu gazlar havadan daha yoğundur ve kapalı alanlarda kullanıldıkları takdirde havanın yerine solunabilirler. Bu da sağlığınız için tehlikelidir.
- Kaynak / kesme işlemlerini yağlama veya boyama işlemlerinde açığa çıkan klorlu hidrokarbon buharlarının olduğu ortamlarda yapmayın.
- Bazı kaynak / kesim yapılan parçalar için özel havalandırma gerekir. Özel havalandırma gerektiren ürünlerin güvenlik kuralları dikkatlice okunmalıdır. Gaz maskesi takılması gereken durumlarda uygun gaz maskesi takılmalıdır.

### Siçrıntı ve Ark Işığı Gözlerinize ve Cildinize Zarar Verebilir



- Gözlerinizi ve yüzünüzü korumak için standarda uygun koruyucu maske ile ona uygun cam filtre kullanın.
- Vücutunuzun diğer çıplak kalan yerlerini (kollar, boyun, kulaklar, vb) uygun koruyucu giysilerle siçrıntı ve ark ışınlarından koruyun.
- Çevrenizdeki kişilerin ark ışınlarından ve sıcak metallere zarar görmemeleri için çalışma alanınızı göz hizasından yüksek, aleve dayanıklı paravanlarla çevirin ve uyarı levhaları asın.
- Buz tutmuş boruların ısıtılmasında kullanılmaz. Kaynak / kesme makinesiyle yapılan bu işlem tesisatınızda patlama, yangın veya hasara neden olur.

### Kıvılcımlar ve Siçrayan Parçalar Gözlerinizi Yaralayabilir



- Kaynak / kesme yapmak, yüzey taşlamak, fırçalamak gibi işlemler kıvılcımlara ve metal parçacıklarının siçramasına neden olur. Oluşabilecek yaralanmaları önlemek için koruyucu maskesinin altına, kenar korumalıkları olan onaylanmış koruyucu iş gözlükleri takın.

### Sıcak Parçalar Ağır Yanıklara Neden Olabilir



- Sıcak parçalara çıplak el ile dokunmayın.
- Makinenin parçaları üzerinde çalışmadan önce soğumaları için gerekli sürenin geçmesini bekleyin.
- Sıcak parçaları tutmanız gerektiğinde, uygun alet, ısıl izolasyonu yüksek kaynak / kesme eldiveni ve yanmaz giysiler kullanın.

### Gürültü, Duyma Yeteneğinize Zarar Verebilir



- Bazı ekipman ve işlemlerin oluşturacağı gürültü, duyma yeteneğinize zarar verebilir.
- Eğer gürültü seviyesi yüksek ise onaylanmış kulak koruyucularını takın.

### Kaynak Teli Yaralanmalara Yol Açabilir



- Kaynak teli sargısını boşaltırken torcu vücudun herhangi bir bölümüne, diğer kişilere ya da herhangi bir metale doğru tutmayın.
- Kaynak telini makaradan elle açarken özellikle ince çaplarda tel, bir yay gibi elinizden fırlayabilir, size veya çevrenizdeki diğer kişilere zarar verebilir; bu işlemi yaparken özellikle gözlerinizi ve yüzünüzü koruyun.

### Kaynak / Kesme İşlemi Yangınlara ve Patlamalara Yol Açabilir



- Yanıcı maddelere yakın yerlerde kesinlikle kaynak / kesim yapmayın. Yangın çıkabilir veya patlamalar olabilir.
- Kaynak / kesme işlemine başlamadan önce bu maddeleri ortamdan uzaklaştırın veya yanmalarını ve harlamalarını önlemek için koruyucu örtülerle üstlerini örtün.
- Bu alanlarda ulusal ve uluslararası özel kurallar geçerlidir.

- Tamamen kapalı tüplere ya da borulara kaynak / kesme işlemi uygulamayın.
- Tüp ve kapalı konteynerlere kaynak / kesme yapmadan önce bunları açın, tamamıyla boşaltıp, havalandırıp temizleyin. Bu tip yerlerde yapacağımız kaynak / kesme işlemlerinde mümkün olan en büyük dikkati gösterin.
- İçinde daha önce, patlama, yangın ya da diğer tepkimelere neden olabilecek maddeler bulunan tüp ve borulara boş dahi olsalar kaynak / kesme yapmayın.
- Kaynak / kesme işlemi esnasında yüksek sıcaklık oluşur. Bu nedenle kolay yanabilecek veya hasar görebilecek yüzeylerin üzerine yerleştirmeyin !

- Kıvılcımlar ve siçrayan parçalar yangına sebep olabilir. Bu nedenle yangın söndürücü tüp, su, kum gibi malzemeleri kolay ulaşabileceğiniz yerlerde bulundurun.
- Yanıcı, patlayıcı ve basınçlı gaz devreleri üzerinde geri tepme ventilleri, gaz regülatörleri ve vanalarını kullanın. Bunların periyodik kontrollerinin yapıpı sağlıklı çalışmasına dikkat edin.

### Makine ve Aparatlarla Yetkisiz Kişiler Tarafından Bakım Yapılması Yaralanmalara Neden Olabilir



- Elektrikli cihazlar yetkisiz kişilere tamir ettirilmemelidir. Burada yapılabilecek hatalar kullanımda ciddi yaralanmalara veya ölümlere neden olabilir
- Gas devresi elemanları basınç altında çalışmaktadır; yetkisiz kişiler tarafından verilen servisler sonucunda patlamalar olabilir, kullanıcılar ciddi şekilde yaralanabilir.
- Makinanın ve yan birimlerinin her yıl en az bir kez teknik bakımının yaptırılması tavsiye edilir.

**Küçük Hacimli Kapalı Alanlarda Kaynak / Kesme**



- Küçük hacimli ve kapalı alanlarda mutlaka bir başka kişi eşliğinde kaynak / kesme işlemlerini yapın.
- Mümkün olduğu kadar bu tarz kapalı yerlerde kaynak / kesme işlemleri yapmaktan kaçınınız.

**Taşıma Esnasında Gerekli Önlemlerin Alınmaması Kazalara Neden Olabilir**



- Makinenin taşınmasında gerekli tüm önlemleri alınız. Taşıma yapılacak alanlar, taşımada kullanılacak parçalar ile taşımayı gerçekleştirecek kişinin fiziki koşulları ve sağlığı taşıma işlemine uygun olmalıdır.
- Bazı makineler son derece ağırdır, bu nedenle yerleri değiştirirken gerekli çevresel güvenlik önlemlerinin alındığından emin olunmalıdır.
- Makine bir platform üzerinden kullanılacaksa, bu platformun uygun yük taşıma sınırlarına sahip olduğu kontrol edilmelidir.
- Bir vasıta yardımı ile (taşıma arabası, forklift vb.) taşınacak ise vasıtanın ve makineyi vasıtaya bağlayan bağlantı noktalarının (taşıma askısı, kayış, civata, somun, tekerlek vb.) sağlamlığından emin olunuz.
- Elle taşıma işlemi gerçekleştirilecek ise Makine aparatlarının (taşıma askısı, kayış vb.) ve bağlantılarının sağlamlığından emin olunuz.
- Gerekli taşıma koşullarının sağlanması için Uluslararası Çalışma Örgütü'nün taşıma ağırlığı ile ilgili kurallarını ve ülkenizde var olan taşıma yönetmeliklerini göz önünde bulundurunuz.
- Güç kaynağının yerini değiştirirken her zaman tutamakları veya taşıma halkalarını kullanın. Asla torç, kablo veya hortumlardan çekmeyin. Gaz tüplerini mutlaka ayrı taşıyın.
- Kaynak / kesme ekipmanlarını taşımadan önce tüm ara bağlantılarını sökün, ayrı ayrı olmak üzere, küçük olanları saplarından, büyükleri ise taşıma halkalarından ya da forklift gibi uygun kaldırma ekipmanları kullanarak kaldırın ve taşıyın.

**Düşen Parçalar Yaralanmalara Sebep Olabilir**



**Güç kaynağının ya da diğer ekipmanların doğru konumlandırılmaması, kişilerde ciddi yaralanmalara ve diğer nesnelere de maddi hasara neden olabilir.**

- Makinenin düşmeyecek ve devrilmeyecek şekilde maksimum 10° eğime sahip zemin ve platformlara yerleştirin. Malzeme akışına engel olmayacak, kablo ve hortumlara takılma riskinin oluşmayacağı, hareketsiz; ancak geniş, rahat havalandırılabilir, tozsuz alanları tercih edin. Gaz tüplerinin devrilmemesi için tüpe uygun gaz platformu bulunan makinelerde platformun üzerine, sabit kullanımlarda ise devrilmeyecek şekilde zincirle duvara sabitleyin.
- Operatörlerin makine üzerindeki ayarlara ve bağlantılara kolayca ulaşmasını sağlayın.

**Aşırı Kullanım Makinenin Aşırı Isınmasına Neden Olur**



- Çalışma çevrimi oranlarına göre makinenin soğumasına müsaade edin.
- Akımı veya çalışma çevrimi oranını tekrar kaynağa / kesmeye başlamadan önce düşürün.
- Makinenin havalandırma girişlerinin önünü kapamayın.
- Makinenin havalandırma girişlerine, üretici onayı olmadan filtre koymayın.

**Ark Kaynağı Elektromanyetik Parazitlere Neden Olabilir**



- Bu cihaz TS EN 55011 standardına göre EMC testlerinde grup 2, class A dir.
- Bu class A cihaz elektriksel gücün alçak gerilim şebekeden sağlandığı meskun mahallerde kullanım amacıyla üretilmemiştir. Bu gibi yerlerde iletilen ve yayılan radyo frekans parazitlerinden dolayı elektromanyetik uyumluluğu sağlamakla ilgili muhtemel zorluklar olabilir.



Bu cihaz IEC 61000 -3 - 12 uyumlu değildir. Evlerde kullanılan alçak gerilim şebekesine bağlanmak istenmesi durumunda, elektrik bağlantısını yapacak tesisatçının veya makineyi kullanacak kişinin, makinenin bağlanabilirliği konusunda bilgi sahibi olması gereklidir, bu durumda sorumluluk kullanıcıya aittir.

- Çalışma bölgesinin elektromanyetik uyumluluğa (EMC) uygun olduğundan emin olun. Kaynak / kesme işlemi esnasında oluşabilecek elektromanyetik parazitler, elektronik cihazlarınızda ve şebekenizde istenmeyen etkilere neden olabilir. İşlem sırasında oluşabilecek bu parazitlerin neden olabileceği etkiler kullanıcının sorumluluğu altındadır.
- Eğer herhangi bir parazit oluşuyorsa, uygunluğu sağlamak için; kısa kablo kullanımı, korumalı (zırhlı) kablo kullanımı, makinenin başka bir yere taşınması, kabloların etkilenen cihaz ve/veya bölgeden uzaklaştırılması, filtre kullanımı veya çalışma alanının EMC açısından korunmaya alınması gibi ekstra önlemler alınabilir.
- Olası EMC hasarlarını engellemek için kaynak / kesme işlemlerinin hassas elektronik cihazlarınızdan mümkün olduğunca uzakta (100 m) gerçekleştirin.
- Makinenizi kullanma kılavuzuna uygun şekilde kurulum yerleştirildiğinden emin olun.

### Çalışma Alanının Elektromanyetik Uygunluğunun Değerlendirilmesi



#### IEC 60974-9 madde 5.2'ye göre;

Kaynak / kesme donanımı tesis etmeden önce, işletme yetkilisi ve / veya kullanıcı, çevredeki olası elektromanyetik parazitler hakkında bir inceleme yapmalıdır. Aşağıda belirtilen haller göz önünde bulundurulmalıdır;

- Kaynak / kesme makinesi ve donanımının üstünde, altında ve yanındaki diğer besleme kabloları, kontrol kabloları, sinyal ve telefon kabloları,
- Radyo ve televizyon vericileri ve alıcıları,
- Bilgisayar ve diğer kontrol donanımı,
- Kritik güvenlik donanımı, örneğin endüstriyel donanımın korunması,
- Çevredeki insanların tıbbi aparatları, örneğin kalp pilleri ve işitme cihazları,
- Ölçme veya kalibrasyon için kullanılan donanım,
- Ortamdaki diğer donanımın bağlılığı. Kullanıcı, çevrede kullanılmakta olan diğer donanımın uyumlu olmasını sağlamalıdır. Bu, ilave koruma önlemleri gerektirebilir,
- Kaynak / kesme işleminin gün içindeki gerçekleştirileceği zaman, göz önüne alınarak çevrenin büyüklüğü, binanın yapısına ve binada yapılmakta olan diğer faaliyetlere göre inceleme alanı sınırları genişletilebilir.

Alanın değerlendirilmesine ek olarak cihaz kurulumlarının değerlendirilmesi de bozucu etkinin çözümü için gerekli olabilir. Gerek görülmesi durumunda, yerinde ölçümler azaltıcı önlemlerin verimliliklerini onaylamak için de kullanılabilir.

(Kaynak: IEC 60974-9).

### Parazit Azaltma Yöntemleri



- Cihaz tavsiye edilen şekilde ve yetkili bir kişi tarafından elektrik şebekesine bağlanmalıdır. Eğer parazit oluşursa şebekenin filtrelenmesi gibi ek önlemler uygulanabilir. Sabit montajlı ark kaynağı ekipmanının beslemesi metal bir boru içerisinden veya eşdeğer ekranlı bir kablo ile yapılmalıdır. Ekran ile güç kaynağının mahfazası bağlı olmalı ve bu iki yapı arasında iyi bir elektriksel temas sağlanmalıdır.
- Cihazın tavsiye edilen rutin bakımları yapılmalıdır. Cihaz kullanımdayken, kaportanın tüm kapakları kapalı ve / veya kilitle olmalıdır. Cihaz üzerinde üreticinin yazılı onayı olmadan standart ayarları dışında herhangi bir değişiklik, modifikasyon kesinlikle yapılamaz. Aksi durumda oluşabilecek her türlü sonuçtan kullanıcı sorumludur.
- Kaynak / kesme kabloları mümkün olduğunca kısa tutulmalıdır. Çalışma alanının zemininden yan yana olacak şekilde ilerlemelidirler. Kaynak / kesme kabloları hiçbir şekilde sarılmamalıdır.
- Kaynak / kesme esasında makinede manyetik alan oluşmaktadır. Bu durum makinenin metal parçaları kendi üzerine çekmeye sebebiyet verebilir. Bu çekimi engellemek adına metal malzemelerin güvenli mesafede veya sabitlenmiş olduğundan emin olunuz. Operatör, bütün bu birbirine bağlanmış metal malzemelerden yalıtılmalıdır.
- İş parçasının elektriksel güvenlik amacıyla veya boyutu ve pozisyonu sebebiyle toprağa bağlanmadığı durumlarda (örneğin gemi gövdesi veya çelik konstrüksiyon imalatı) iş parçası ile toprak arasında yapılacak bir bağlantı bazı durumlarda emisyonları düşürebilir. İş parçasının topraklanması kullanıcının yaralanmasına veya ortamdaki diğer elektrikli ekipmanların arıza yapmasına neden olabileceği unutulmamalıdır. Gerekli hallerde iş parçası ile toprak bağlantısı doğrudan bağlantı şeklinde yapılabilir fakat doğrudan bağlantıya izin verilemeyen bazı ülkelerde bağlantı yerel düzenleme ve yönetmeliklere uygun olarak, uygun kapasite elemanları kullanılarak oluşturulabilir.
- Çalışma alanındaki diğer cihazların ve kabloların ekranlanması ve muhafazası bozucu etkilerin önüne geçilmesini sağlayabilir. Kaynak / kesme bölgesinin tamamının ekranlanması bazı özel uygulamalar için değerlendirilebilir.

### Elektromanyetik Alan (EMF)



Herhangi bir iletken üzerinden geçen elektrik akımı, bölgesel elektrik ve manyetik alanlar (EMF) oluşturur.

Operatörler EMF'ye maruz kalmının sebep olduğu riski en aza indirmek için aşağıdaki prosedürleri uygulamalıdır;

- Manyetik alanı azaltmak adına kaynak / kesme kabloları bir araya getirilmeli, mümkün olduğunca birleştirici malzemelerle (bant, kablo bağı vb.) emniyet altına alınmalıdır.
- Operatörün gövdesi ve başı, kaynak / kesme makine ve kablolarından mümkün olduğunca uzakta tutulmalıdır,
- Kaynak / kesme ve elektrik kabloları vücudun etrafına hiçbir şekilde sarılmamalıdır,
- Vücut, kaynak / kesme kablolarının arasında kalmamalıdır. Kaynak / kesme kablolarının her ikisi yan yana olmak üzere vücudun uzağında tutulmalıdır,
- Dönüş kablosu iş parçasına, kaynak / kesme yapılan bölgeye mümkün olduğunca yakın bir şekilde bağlanmalıdır,
- Güç ünitesine yaslanmamalı, üzerine oturmamalı ve çok yakınında çalışılmamalıdır,
- Güç ünitesini veya tel besleme ünitesini taşıyarak kaynak / kesme işlemi yapılmamalıdır.

EMF ayrıca, kalp pilleri gibi tıbbi implantların (vücut içine yerleştirilen madde) çalışmasını bozabilir. Tıbbi implantları olan kişiler için koruyucu önlemler alınmalıdır. Örneğin, yoldan geçenler için erişim sınırlaması koyulabilir veya operatörler için bireysel risk değerlendirmeleri yapılabilir. Bir tıp uzmanı tarafından, tıbbi implantları olan kullanıcılar için risk değerlendirmesi yapıp, öneride bulunulmalıdır.

**Koruma**

- Makineyi yağmura maruz bırakmayın, üzerine su sıçramasına veya basınçlı buhar gelmesine engel olun.

**Enerji Verimliliği**

- Yapacağınız kaynak / kesme işlemine uygun yöntem ve makine tercihinde bulunun.
- Kaynak / kesme yapacağınız malzemeye ve kalınlığına uygun akım ve / veya gerilimi seçin.
- Kaynak / kesme yapmadan uzun süre beklenilecekse, fan makineyi soğuttuktan sonra makineyi kapatın. Akıllı fan kontrolü olan makinelerimiz kendi kendine duracaktır.

**Atık Prosedürü**

- Bu cihaz evsel atık değildir. Avrupa Birliği direktifi ile ulusal yasa çerçevesinde geri dönüşüme yönlendirilmek zorundadır.
- Kullanılmış makinенizin atık yönetimi hakkında satıcınızdan ve yetkili kişilerden bilgi edinin.

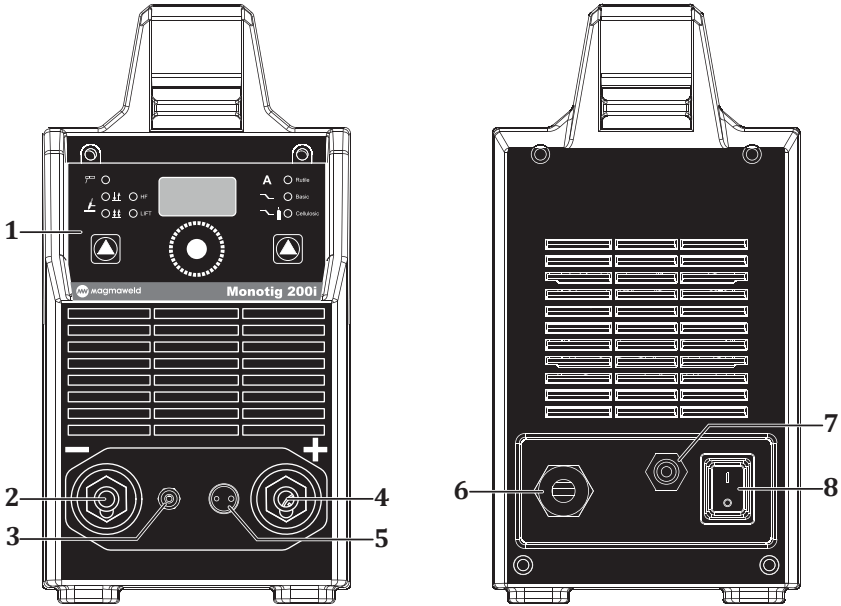


## TEKNİK BİLGİLER

### 1.1 Genel Açıklamalar

monoTIG 160i, monoTIG 200i invertör tipi, kolay taşınabilir, monofaze DC TIG ve Örtülü Elektrod kaynak makinesidir. Alüminyum hariç diğer metallerin TIG kaynağı ve 4 mm çapa kadar örtülü elektrod kaynağı için tasarlanmıştır. Akım, süre ve program ayarları dijital göstergelerden izlenir. monoTIG 160i ve monoTIG 200i, 160 V ila 240 V arasında 50/60 Hz şebeke geriliminde çalışabildiğinden, şebeke gerilimindeki dalgalanmalardan etkilenmez, böylece jeneratörlerle de kusursuz çalışır. monoTIG 160i ve monoTIG 200i, 25 metre uzunluğa kadar kaynak kablolarıyla da kullanılabilir. Makine fan soğutmalıdır ve aşırı ısınmaya karşı termik korumalıdır.

### 1.2 Makine Bileşenleri



Şekil 1 : Ön ve Arka Görünüm

- |                               |  |
|-------------------------------|--|
| 1- Besleme Kablosu Girişi     | 5- Kaynak ve Toprak Kablosu Soketi (-) |
| 2- Açma / Kapama Düğmesi      | 6- Kaynak ve Toprak Kablosu Soketi (+) |
| 3- Gaz Girişi                 | 7- Gaz Çıkışı                          |
| 4- Tetik Kontrol Bağlantıları | 8- Kontrol Paneli                      |

## 1.3 Ürün Etiketi

MAGMA MEKATRONİK MAKİNE SAN. VE TİC. A.Ş. Organize Sanayi Bölgesi 5.Kısım Manisa-TÜRKİYE			
<b>MONOTIG 160i</b>		Seri No:	
		EN 60974-1 / EN 60974-10 Class A	
	---	5A / 10.2V - 160A / 16.4V	
		X	30% 60% 100%
	$U_0 = 65V$	$I_2$	160A 113A 88A
		$U_2$	16.4V 14.5V 13.5V
	$U_0 = 65V$	$I_1$	21.8A 14.6A 10.6A
		$S_1$	5.01kVA 3.36kVA 2.44kVA
		$I_{1max} = 21.8A$	$I_{1eff} = 11.95A$
	---	5A / 20.2V - 160A / 26.4V	
		X	20% 60% 100%
	$U_0 = 65V$	$I_2$	160A 92A 72A
		$U_2$	26.4V 23.7V 22.9V
	$U_0 = 65V$	$I_1$	32.2A 17.4A 13.7A
		$S_1$	7.41kVA 4kVA 3.15kVA
		$I_{1max} = 32.2A$	$I_{1eff} = 14.41A$
	$U_1 = 230V$	$I_{1max} = 32.2A$	$I_{1eff} = 14.41A$
		IP23S	

MAGMA MEKATRONİK MAKİNE SAN. VE TİC. A.Ş. Organize Sanayi Bölgesi 5.Kısım Manisa-TÜRKİYE			
<b>MONOTIG 200i</b>		Seri No:	
		EN 60974-1 / EN 60974-10 Class A	
	---	5A / 10.2V - 200A / 18V	
		X	25% 60% 100%
	$U_0 = 65V$	$I_2$	200A 129A 100A
		$U_2$	18V 15.2V 14V
	$U_0 = 65V$	$I_1$	29.1A 17.1A 12.5A
		$S_1$	6.69kVA 3.93kVA 2.88kVA
		$I_{1max} = 29.1A$	$I_{1eff} = 14.55A$
	---	5A / 20.2V - 200A / 28V	
		X	14% 60% 100%
	$U_0 = 65V$	$I_2$	200A 97A 75A
		$U_2$	28V 23.9V 23V
	$U_0 = 65V$	$I_1$	41.5A 18.9A 14.2A
		$S_1$	9.55kVA 4.35kVA 3.27kVA
		$I_{1max} = 41.5A$	$I_{1eff} = 15.54A$
	$U_1 = 230V$	$I_{1max} = 41.5A$	$I_{1eff} = 15.54A$
		IP23S	

Tek Fazlı Transformatör Doğrultucu



TIG Kaynağı



Örtülü Elektrod Kaynağı



Doğru Akım



Düşey Karakteristik



Şebeke Girişi-1 Fazlı Alternatif Akım



Tehlikeli Ortamlarda Çalışmaya Uygun

X Çalışma Çevrimi

$U_0$  Boşta Çalışma Gerilimi

$U_1$  Şebeke Gerilimi ve Frekansı

$U_2$  Anma Kaynak Gerilimi

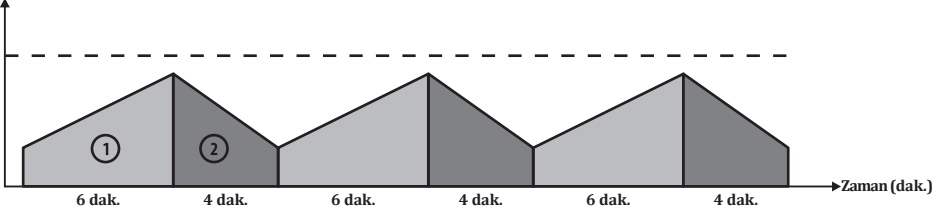
$I_1$  Şebekeden Çekilen Anma Akımı

$I_2$  Anma Kaynak Akımı

$S_1$  Şebekeden Çekilen Güç

IP23S Koruma Sınıfı

Çalışma Çevrimi  
Sıcaklık (°C)



EN 60974-1 standardında da tanımlandığı üzere çalışma çevrim oranı 10 dakikalık bir zaman periyodunu içerir. Örnek olarak %60'da 250A olarak belirtilen bir makinede 250A'de çalışılmak isteniyorsa, makine 10 dakikalık zaman periyodunun ilk 6 dakikasında hiç durmadan kaynak / kesme yapabilir (1 bölgesi). Ancak bunu takip eden 4 dakika makine soğuması için boşta bekletilmelidir (2 bölgesi).

## 1.4 Teknik Özellikler

TEKNİK ÖZELLİKLER	BİRİM	monoTIG 160i	monoTIG 200i
Şebeke Gerilimi (1-Faz 50-60 Hz)	V	230	230
Şebekeden Çekilen Güç (MMA)	kVA	7.41 (%30)	9.55 (%25)
Şebekeden Çekilen Güç (TIG)	kVA	5.01 (%30)	6.69 (%25)
Kaynak Akım Ayar Sahası	ADC	5 - 160	5 - 200
Anma Kaynak Akımı	ADC	160 (%30)	200 (%25)
Açık Devre Gerilimi	VDC	65	65
Kaynak Elektrod Çapı Aralığı	mm	1.60 - 3.25	2.00 - 4.00
Tungsten Elektrod Çapı Aralığı	mm	1.20 - 2.40	1.00 - 2.40
Boyutlar (u x g x y)	mm	520 x 160 x 312	520 x 160 x 312
Ağırlık	kg	9.5	10
Koruma Sınıfı		IP 23S	IP 23S

## 1.5 Aksesuarlar

STANDART AKSESUARLAR	ADET	monoTIG 160i	monoTIG 200i
Topraklama Pensesi ve Kablosu	1	7905212503 (25 mm <sup>2</sup> - 3 m)	7905212503 (25 mm <sup>2</sup> - 3 m)
Gaz Hortumu	1	7907000002	7907000002
Torç (Hava Soğutmalı 4 m)	1	7110018004	7110018004
OPSİYONEL AKSESUARLAR	ADET	monoTIG 160i	monoTIG 200i
Elektrod Pensesi ve Kablosu	1	7906201603	7910005200
Su Soğutma Ünitesi (CSP 40)	1	7910005200	7020001004
Gaz Regülatörü	1	7020001004	7110018004
Lava TIG 26 (8 m) Hava Soğutmalı TIG Torcu	1	7110018008	7110018008
Lava TIG 18W (4 m) Su Soğutmalı TIG Torcu	1	7110038004	7110038004
Lava TIG 18W (8 m) Su Soğutmalı TIG Torcu	1	7110038008	7110038008
TIG Aksesuar Seti Hava Soğutmalı (Torç + Regülatör)	1	7910000510	7910000510
TIG Aksesuar Seti Su Soğutmalı (Torç + Regülatör)	1	7910000530	7910000530
Ayak Pedalı (On/Off)	1	7910000130	7910000130
Taşıma Arabası	1	7910000100	7910000100



## KURULUM BİLGİLERİ

### 2.1 Teslim Alırken Dikkat Edilecek Hususlar

Sipariş ettiğiniz tüm malzemelerin gelmiş olduğundan emin olun. Herhangi bir malzemenin eksik veya hasarlı olması halinde derhal aldığınız yer ile temasa geçin.

Standart kutu şunları içermektedir :

- Ana makine ve ona bağlı şebeke kablosu
- Garanti belgesi
- Topraklama pensesi ve kablosu
- Kullanım kılavuzu

Hasarlı teslimat halinde tutanak tutun, hasarın resmini çekin, irsaliyenin fotokopisi ile birlikte nakliyeciy firmaya bildirin. Sorunun devam etmesi halinde müşteri hizmetleri ile irtibata geçin.

### Cihaz üzerindeki sembol ve anlamları



Kaynak yapma işlemi tehlike içermektedir. Uygun çalışma koşulları sağlanmalı ve gerekli önlemler alınmalıdır. Uzman kişiler makinede sorumlu olup, gerekli donanımları sağlamalıdır. İlgili olmayan kişiler kaynak sahasından uzak tutulmalıdır.



Bu cihaz IEC 61000-3-12 uyumlu değildir. Evlerde kullanılan alçak gerilim şebekesine bağlanmak istenmesi durumunda, elektrik bağlantısını yapacak tesisatçının veya makineyi kullanacak kişinin, makinenin bağlanabilirliği konusunda bilgi sahibi olması gereklidir, bu durumda sorumluluk kullanıcıya aittir.



Cihaz üzerinde ve kullanım kılavuzunda bulunan güvenlik sembollerine ve uyarı notlarına dikkat edilmeli, etiketleri sökülmemelidir.



Izgaralar havalandırma amaçlıdır. Açıklıkların üzeri iyi bir soğutma sağlamak amacıyla örtülmemelidir içeriye yabancı cisim sokulmamalıdır.

### 2.2 Kurulum ve Çalışma Tavsiyeleri

- Daha iyi performans için, makineyi çevresindeki nesnelere en az 30 cm uzağa yerleştirin. Makine çevresindeki aşırı ısınma, toz ve neme dikkat edin.
- Makineyi direk güneş ışığı altında çalıştırmayın. Ortam sıcaklığının 40 °C' yi aştığı durumlarda, makineyi daha düşük akımda ya da daha düşük çalışma çevrim oranında çalıştırın.
- Dış mekanlarda rüzgar ve yağmur varken kaynak yapmaktan kaçının. Bu tür durumlarda kaynak yapmak zorunluysa, kaynak bölgesini ve kaynak makinesini perde ve tenteye koruyun. İçeride kaynak yapıyorsanız, uygun bir duman emme sistemi kullanın. Kapalı mekanlarda kaynak dumanı ve gazı soluma riski varsa, solunum aparatları kullanın.
- Ürün etiketinde belirtilen çalışma çevrimi oranlarına uyun. Çalışma çevrimi oranlarını sıklıkla asmak, makineye hasar verebilir ve bu durum garantiyi geçersiz kılabilir.
- Sisteminize uygun sigortayı kullanın.
- Toprak kablosunu kaynak bölgesinin olabildiğince yakınına, sıkıca bağlayın.
- Kaynak akımının kaynak kabloları dışındaki ekipmanlar üzerinden geçmesine izin vermeyin.
- Gaz tüpünü zincirle duvara sabitleyin.
- Çalışma sırasında kaynak kabloları ve şebeke kablosu makine gövdesine sarılı olmamalıdır.

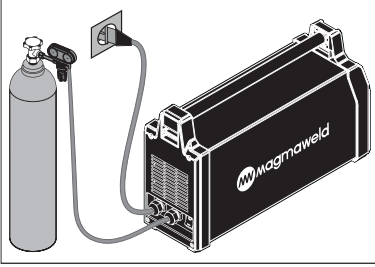
## 2.3 TIG Kaynağı İçin Bağlantılar

### 2.3.1 Makineyi Şebekeye Bağlayın ve Çalıştırın



*Makineyi şebekeye bağlamadan önce şebekede doğru gerilimin olup olmadığını kontrol edin.*

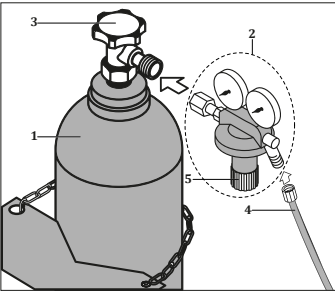
- Açma/kapama düğmesini kapalı "0" konuma getirip makinenin fişini prize takın.
- Açma/kapama düğmesi ile makineyi çalıştırın. Açma/kapama düğmesinin ile kontrol panelindeki gösterge ve ledlerin yandığını ve soğutma fanının çalıştığını tespit edin ve soğutma fanının sesini duyduğunuzdan emin olun.



Şekil 2 : Gaz ve Şebeke Bağlantıları

### 2.3.2 Gaz Bağlantıları

- Argon gaz tüpünü zincirle duvara sabitleyin. Emniyetle çalışmak ve iyi sonuçlar elde etmek için standartlara uygun bir regülatör kullanın.
- Gaz tüpü vanasını bir süre açık tutarak, olası tortu ve partiküllerin dışarı atılmasını sağlayın.
- Gaz regülatörünü gaz tüpüne bağlayın, gaz tüpünün gaz çıkışındaki vida dişi ile regülatörün somununun örtüştüğünden emin olun.
- Tüp hortumunun bir ucunu gaz regülatörüne, diğer ucunu makinenin arkasındaki gaz girişine bağlayıp gaz tüpü vanasını açın.



Şekil 3 : Gaz Tüpü - Regülatör - Hortum Bağlantısı

- Basınç ayar vanası ile gaz debisini ayarlayın.
- Bağlantılarda sızıntı olmadığından emin olun.

Elektrod Çapı (mm)	Nozul Çapı (mm)	Kaynak Akımı (ADC)	Gaz Debisi (lt/dak)
1.0	6.3	30-70	6-8
1.6	9.5	30-150	6-8

### 2.3.3 Torç Bağlantılarını Hazırlama

CX79 TIG torç adaptörü ile TIG torcu bağlantıları:

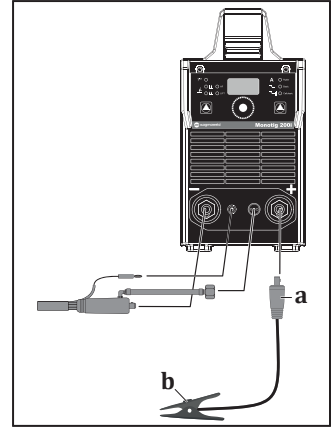
- Torcun ucundaki somunu plastik gövdeden geçirerek torç fişine sıkıca takın. Ardından torç fişini plastik gövdeye yerleştirin.
- Gaz hortumu dirsek rakorunu plastik gövde üzerindeki delikten geçirip çevirerek sokete sıkıca takın.
- Gaz hortumunu dirsek rakoruna kelepçe ile geçirip iyice sıkın.
- Torcun tetik kontrol kablolarına, ürünle birlikte standart olarak sunulan konnektör pimlerini takın.

### 2.3.4 Torç Bağlantıları

- TIG torcunun fişini eksi kutuplu kaynak soketine sokup sağa çevirerek iyice sıkın. Makineyle birlikte gelen torç tetik konnektörünü torcun tetik kontrol kablolarına takın. Ardından konnektörü tetik kontrol soketine bağlayın.
- Torcun gaz hortumunu gaz çıkışına bağlayın.
- Su soğutmalı modellerde torcun soğuk “mavi” hortumunu makine üzerindeki soğuk su çıkışına, sıcak “kırmızı” hortumunu makine üzerindeki sıcak su girişine bağlayın.

### 2.3.5 Topraklama Pensesi Bağlantıları

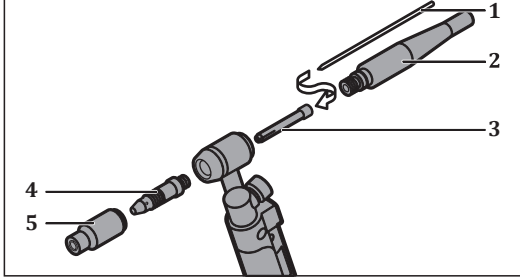
- Topraklama pensesi kablusunun fişini artı kutuplu sokete sokup sağa çevirerek iyice sıkın.
- Kaynak kalitesini arttırmak için, topraklama pensesini, kaynak yapılacak bölgeye olabildiğince yakın bir yerde, iş parçasına sıkıca bağlayın.



Şekil 4 : Kaynak Bağlantıları

### 2.3.6 Tungsten Elektrodu Deęiřtirme

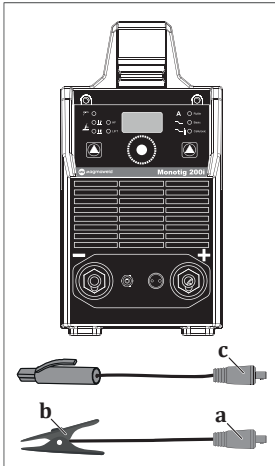
- Seramik gaz nozulu ve tungsten elektrod çalışma akımına ve iş parçasının şekline göre seçilmelidir. Buna baęlı olarak, kısıkaç ve kısıkaç tutucunun çapları tungsten elektrodun çapıyla örtüşmelidir.
- Sıkıştırma başlıęını çıkartın.
- Mevcut elektrodu, elektrod kaskacından çıkartıp yeni tungsten elektrodu yerleřtirin.
- Elektrod kaskacını torca takın.
- Sıkıştırma başlıęını iyice sıkıştırın.



řekil 5 : Tungsten Elektrodu Deęiřtirme

### 2.4 Örtülü Elektrod Kaynaęı İçin Baęlantılar

- 2.3.1 de basamakları takip ederek makineyi çalıştırın.
- Elektrod pensesi kablosunun fiřini ve topraklama pensesi kablosunun fiřini, kullanılacak elektroda ve elektrodun üreticisinin tavsiye ettięi kutuplara göre kaynak ve toprak kablosu soketlerine baęlayın.
- Kaynak kalitesini arttırmak için, topraklama pensesini, kaynak yapılacak bölgeye olabildięince yakın bir yerde, iş parçasına sıkıca baęlayın.
- Kaynak akımını ayarlayın. Makine kaynaęa hazırdır.
- Ařaęıdaki tablo alařımsız çeliklerin amper ayarı için referans olarak verilmiřtir. Lütfen elektrod üreticisinin tavsiyelerine uyunuz.

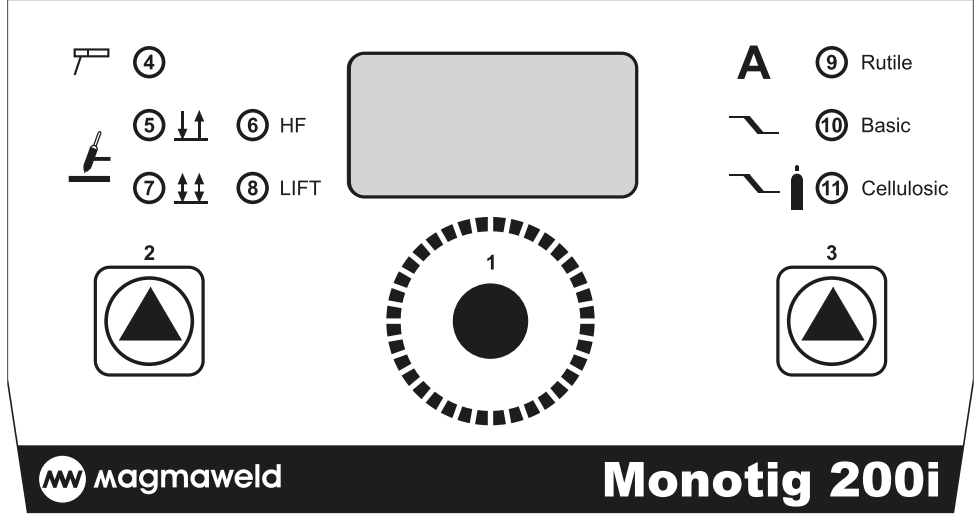


Örtülü Elektrod Çapı (mm)	Tavsiye Edilen Kaynak Akımı		
	Rutil	Bazik	Selülozik
2.0	40-60 A	-	-
2.5	60-90 A	60-90 A	60-100 A
3.25	100-140 A	100-130 A	70-130 A
4.0	140-180 A	140-180 A	120-170 A

řekil 6 : Kaynak Baęlantıları

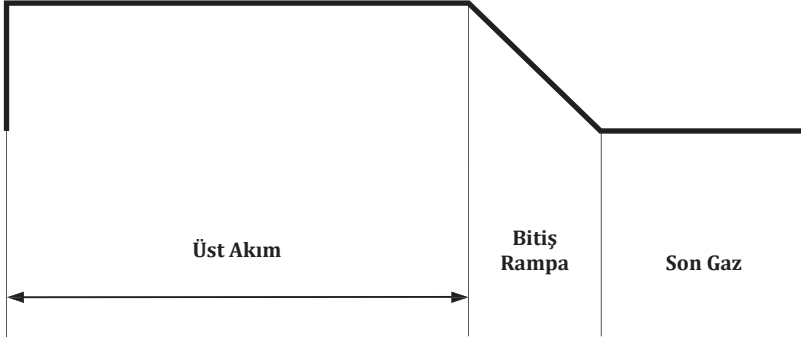
## KULLANIM BİLGİLERİ

### 3.1 Kullanıcı Arayüzü



1	<b>Ayar Fonksiyon Potu</b> Seçilen parametreyi arttırmak veya azaltmak için kullanılır.
2	<b>Kaynak Modu Seçim Düğmesi</b> Örtülü Elektrod kaynağı, HF tutuşturmalı TIG kaynağı ve Dokundurma Başlatmalı TIG kaynağı modlarından birini seçmek için kullanılır.
3	<b>Süre, Gaz ve Elektrod Tipi Seçim Tuşu</b>
4	<b>MMA Modu Ledi</b> Örtülü elektrod kaynak modu aktif hale gelir.
5	<b>2 Tetik Modu Ledi</b> Tetik basıldığında başlar. Bırakıldığında sonlanır.
6	<b>HF Tutuşturma</b> İş parçasına değdirilmeyerek yaklaştırıldığında ark gazı üzerinden voltaj atlaması ile tutuşma başlar.
7	<b>4 Tetik Modu Ledi</b> Tetik basılıp bırakıldığında tutuşturma ile kaynak başlar. Tekrar basılıp bırakıldığında kaynak sonlanır.
8	<b>Tutuşturma</b> Torç tetiği aktif halde iken elektrod iş parçasına sürtmesiyle tutuşma başlar.
	9 Nolu led yandığında ve makine TIG modunda ise 1 nolu pot ile kaynak akımını azaltır veya artırır. 10 nolu led yandığında ve makine TIG modunda ise 1 nolu pot ile bitiş rampa süresi ayarlanır. Makine TIG modunda ise 1 nolu potu basılı tuttuğunuzda ön gaz ayarı açılacaktır. 1 nolu potu sağa sola çevirerek ön gaz parametresi ayarlanır; ayardan çıkmak için pota 1 tekrar basın. 11 nolu led yandığında ve makine TIG modunda ise 1 nolu pot ile son gazın parametresi ayarlanır. 2 Tuşu ile örtülü elektrod kaynak modu 4 seçildiğinde 9 nolu led Rutil, 10 nolu Bazik, 11 nolu led Selülozik elektrod seçimini 3 nolu buton ayarlar.

### 3.2 TIG Eğrisi



### 3.3 Menü Yapısı

Fonksiyonların modlara göre açık veya kapalı olma durumları aşağıdaki tablodaki gibidir.

Parametre	Değer aralığı	Fabrika Ayarı	LED	Örtülü Elektrod	2 KonumuTIG DC	4 KonumuTIG DC	Punta TIG DC
Üst Akım	5-200 A	80 A	19	✓	✓	✓	✓
Bitiş Rampa Süresi	0-10 sn.	1 sn.	23		✓	✓	
Son Gaz Süresi	0-20 sn.	2 sn.	25		✓	✓	

#### 3.3.1 TIG Kaynağı Yöntemi



**HF Tutuşturmalı TIG modunda torçta yüksek tutuşturma gerilimi bulunur. Cihaz çalışır durumda iken, kaynak akımını ileten kaynak elektroduna veya parçalarına asla dokunmayın !**

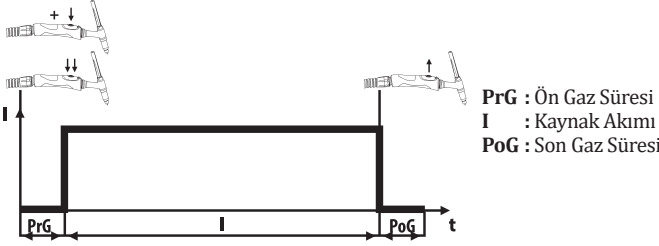
- Tüm parametre ayarlarını kapsayan 10 iş programı makinenin hafızasında tutulur ve kullanıcı tarafından ayarlanarak tekrarlanan işler için kullanılır.
  - Makine ilk kez çalıştırıldığında, tüm parametreler yukarıdaki tabloda belirtilmiş olan fabrika ayarlarındadır.
  - Daha önce parametrelerini ayarladığınız bir programı kullanmak yada bir programdaki parametreleri değiştirmek için program seçin düğmesine basarak programı seçin.
  - Kaynak modu seçim düğmesine basarak HF tutuşturmalı TIG kaynağını veya dokundurma başlatmalı TIG kaynağını seçin.
  - 2 konumu, 4 konumu, Punta konumu seçim düğmesiyle bu modlarda ise uygun olanı seçin.
  - Kaynak parametrelerini değiştirmek için TIG parametreleri seçim düğmelerini kullanın. Değerini değiştirmek istediğiniz parametrenin ledii yanınca parametre ayar düğmesini çevirerek parametreyi ayarlayın. Seçtiğiniz program numarası için yaptığınız son ayarlar otomatik olarak kaydedilecektir; kayıt için ayrıca bir işlem yapmanıza gerek yoktur.
- Parametrelerini ayarladığınız bir programı tekrar kullanmak yada parametrelerini değiştirmek için program seçim düğmesine basarak programı seçip aynı kullanabilir yada parametrelerini değiştirebilirsiniz.

Tungsten Elektrod Çapı "mm"	Tavsiye Edilen TIG Kaynak Akımı "A"
1.6	30-130
2.0	45-180
2.4	70-240

### 3.3.2 TIG Kaynağı Tetik Modlarının Kullanımı

#### 2 Konumu TIG Kaynağı

Torç tetiğine basıp tuttuğunuzda, ön gazın ardından başlangıç akımı başlar ve rampa süresince akım artarak üst akım seviyesine çıkar ve tetik basılı tutulduğu sürece üst akımda devam eder. Tetiği bıraktığınızda akım bitiş rampa süresince azalır ve bitiş akımı seviyesine inip kaynağı bitirir. Ardından son gaz devreye girer.

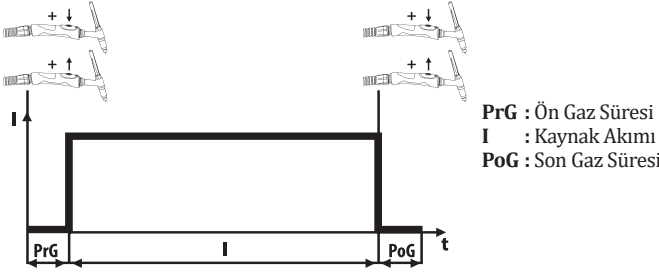


#### 4 Konumu TIG Kaynağı

Torç tetiğine basıp tuttuğunuzda, ön gazın ardından başlangıç akımı başlar ve tetiği bıraktığınızda rampa süresince akım artarak üst akım seviyesine, yani kaynak akımına çıkar. DC modunda kaynak üst akımda, DC PULSE modunda seçilmiş frekansta kaynak üst ve alt akımı arasında salınarak devam eder ve tetiğe 1 sn.'den daha uzun süreli basıp çektikten sonra akım rampa süresince azalarak bitiş akımına ulaşır ve son gaz süresinin ardından işlem sona erer.

Alt akım genellikle kaynak esnasında bir tamir veya hafif soğutma, kaynak bitimlerinde de krater doldurma ve son kapatma amaçlı kullanılmaktadır.

Kaynak bitiminde, ister DC ister PULSE DC modunda olunsun, 1 sn.'den kısa sürede torç tetiğine bastığımızda alt akıma geçiş sağlanır, krater doldurulur ve 1 sn.'den uzun tetiğe basıp çektüğünüzde, bu defa alt akım seviyesinden rampa hızına bağlı olarak bitiş akımına ulaşılır. Bitiş akımının amacı, kaynak bitiş yerinin kontrollü şekilde soğutulmasını sağlayarak, çatlama riskini ortadan kaldırmaktır.



### 3.3.3 Örtülü Elektrod Kaynağı Yöntemi

Örtülü elektrod kaynağı ledi yanana dek, kaynak modu seçim düğmesine basın. Elektrod tip seçim düğmesi ile kullanacağımız elektrod tipini seçin. Program numaraları ve kaynak parametreleri örtülü elektrod modundayken aktif değildir. Bu modda sadece kaynak akımı LEDi aktif olur. Parametre ayar düğmesi ile kaynak akımını ayarlayın.



## BAKIM VE ARIZA BİLGİLERİ

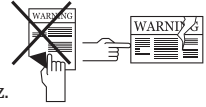
- Makineye yapılacak bakım ve onarımların mutlaka yetkin kişiler tarafından yapılması gerekmektedir. Yetkisiz kişiler tarafından yapılacak müdahaleler sonucu oluşacak kazalardan firmamız sorumlu değildir.
- Onarım esnasında kullanılacak parçaları yetkili servislerimizden temin edebilirsiniz. Orjinal yedek parça kullanımı makinenizin ömrünü uzatacağı gibi performans kayıplarını engeller.
- Her zaman üreticiye veya üretici tarafından belirtilen yetkili bir servise başvurun.
- Garanti süresi içerisinde üretici tarafından yetkilendirilmemiş herhangi bir girişiminde tüm garanti hükümleri geçersiz olacaktır.
- Geçerli güvenlik kurallarına bakım onarım işlemleri sırasında mutlaka uyunuz.
- Tamir için makinenin herhangi bir işlem yapılmadan önce, makinenin elektrik fişini şebekeden ayırınız ve kondansatörlerin boşalması için 10 saniye bekleyiniz.

### 4.1 Bakım



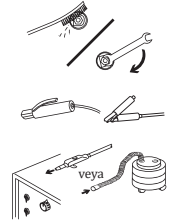
#### Günlük Bakım

- Torcun, penselerin ve kablolarınızın kontrolünü yapınız. Parçaların bağlantılarına ve sağlamlığına dikkat ediniz. Hasar görmüş / arızalı parçaları yenisi ile değiştiriniz. Kablolara ek / onarım kesinlikle yapmayınız.
- Havalandırma için yeterli alan olduğuna emin olunuz.
- TIG torcu üzerindeki sarf malzemeler düzenli olarak temizlenmelidir. Eğer gerekiyorsa değiştirilmelidir. Bu malzemelerin uzun süreli kullanılması için orjinal ürünler olmasına dikkat edilmelidir.
- Kaynağa başlamadan önce torcun ucundan çıkan gaz debisini debimetre ile kontrol ediniz. Gazın debisi yüksek veya düşük ise yapılacak kaynağa uygun seviyeye getiriniz.



#### 6 Ayda Bir

- Cihaz üzerindeki uyarı etiketlerini sökmeyiniz. Yıpranmış / yırtılmış etiketleri yenisi ile değiştiriniz. Etiketleri yetkili servisten temin edebilirsiniz.
- Civata, somun gibi birleştirici parçaları temizleyiniz ve sıkıştırınız.
- Elektrod pensesi ve toprak pensesi kablolarını kontrol ediniz.
- Makinenin yan kapaklarını açarak düşük basınçlı kuru hava ile temizleyiniz. Elektronik parçalara yakın mesafeden basınçlı hava uygulamayınız.
- Makinenin elektrik besleme fişinin bağlı olduğu prizi kontrol ediniz. Prizin enerji kablosu bağlantı noktalarında gevşeklik var ise gideriniz. Prizin yuvalarında ark veya genişleme var ise yenisi ile değiştiriniz.
- Makinenin elektrik besleme fişini kontrol ediniz. Elektrik fişinin içindeki kablo bağlantı noktalarında gevşeklik var ise gideriniz. Fişin uçlarında ark veya deformasyon var ise yenisi ile değiştiriniz.



**NOT: Yukarıda belirtilen süreler, cihazınızda hiçbir sorunla karşılaşmaması durumunda uygulanması gereken maksimum periyotlardır. Çalışma ortamınızın yoğunluğuna ve kirliliğine göre yukarıda belirtilen işlemleri daha sık aralıklarla tekrarlayabilirsiniz.**



**Asla kaynak makinesinin kapakları açıkken kaynak yapmayın.**



## 4.2 Hata Giderme

- Ön paneldeki termik arıza ledi yanarken makine kaynak yapmıyorsa, makine aşırı ısınmış ve termostat korumaya geçmiş olabilir. Havadaki yüksek sıcaklık ya da yüksek amper değerlerinde uzun süre kaynak yapmış olmanız aşırı ısınmanın muhtemel sebepleridir. Fanın makineyi soğutması için makineyi bir süre çalışır durumda bırakın. Makine soğuyup termik arıza ledi söndüğünde kaynağa devam edebilirsiniz.
- Fan çalışıyor ve açma/kapama düğmesinin ışığı yanarken makine kaynak yapmıyorsa, makineyi kapatıp 1 dakika bekleyip makineyi tekrar çalıştırın ve kaynak yapmayı deneyin. Eğer hala kaynak yapmıyorsa, yetkili servise başvurun.

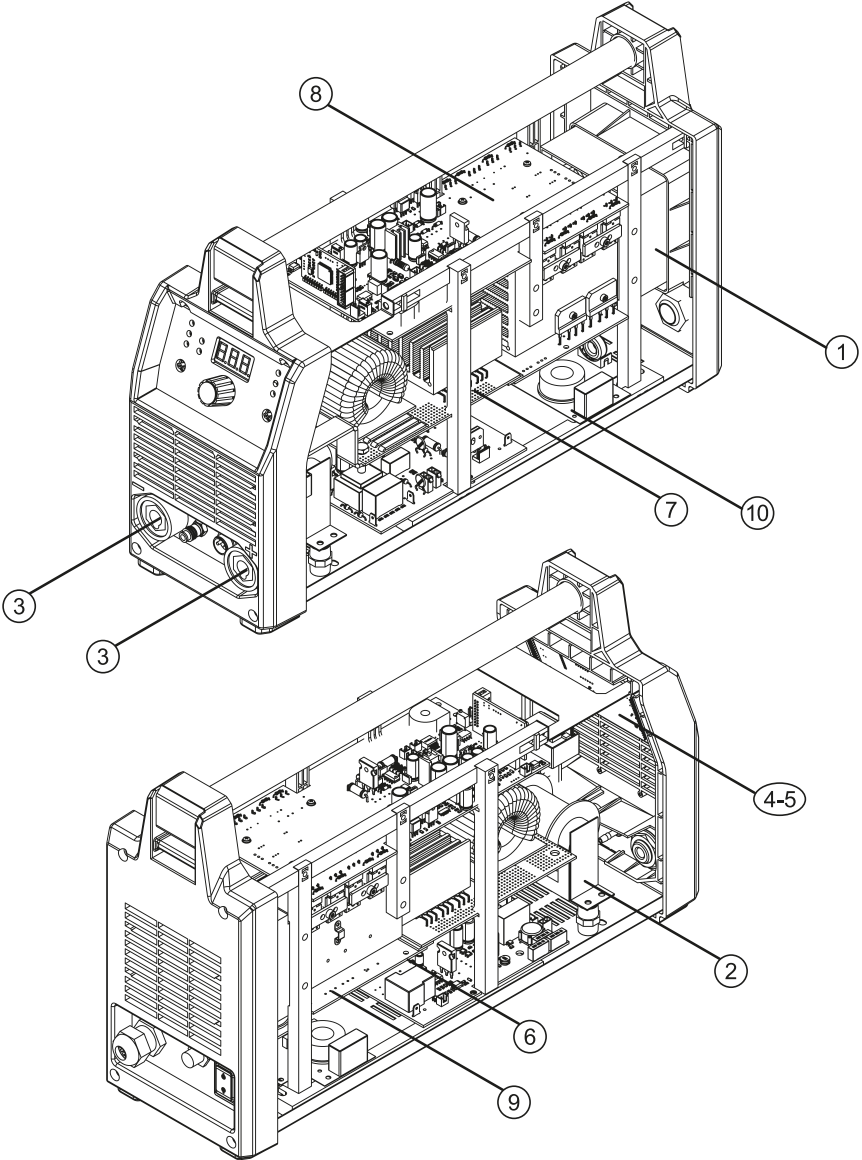
## 4.3 Hata Kodları

Hata Kodu	Hata	Neden	Çözüm
E01	Termal Koruma (Birincil)	<ul style="list-style-type: none"> <li>• Makinenizin devrede kalma oranı aşımış olabilir</li> </ul>	<ul style="list-style-type: none"> <li>• Bir süre bekleyerek makinenin soğumasını sağlayınız . Arıza ortadan kalkıyor ise daha düşük amper değerlerinde kullanmaya çalışınız</li> <li>• Sorun devam ediyorsa yetkili servis ile iletişime geçiniz</li> </ul>
		<ul style="list-style-type: none"> <li>• Fan çalışmıyor olabilir</li> </ul>	<ul style="list-style-type: none"> <li>• Fanın çalışıp çalışmadığını göz ile kontrol ediniz</li> <li>• Sorun devam ediyorsa yetkili servis ile iletişime geçiniz</li> </ul>
		<ul style="list-style-type: none"> <li>• Hava giriş-çıkış kanallarının önü kapanmış olabilir</li> </ul>	<ul style="list-style-type: none"> <li>• Hava kanallarının önünü açınız</li> <li>• Sorun devam ediyorsa yetkili servis ile iletişime geçiniz</li> </ul>
		<ul style="list-style-type: none"> <li>• Makine çalışma ortamı aşırı sıcak ya da havasız olabilir</li> </ul>	<ul style="list-style-type: none"> <li>• Makine çalışma ortamının aşırı sıcak ya da havasız olmadığından emin olunuz</li> <li>• Sorun devam ediyorsa yetkili servis ile iletişime geçiniz</li> </ul>
E02	Şebeke Voltajı Düşük	<ul style="list-style-type: none"> <li>• Şebeke voltajı düşmüş olabilir</li> </ul>	<ul style="list-style-type: none"> <li>• Şebeke bağlantı kablolarını ve voltajını kontrol ediniz. Doğru voltaj girişi sağlandığından emin olunuz. Şebeke voltajı normal ise yetkili servis ile iletişime geçiniz</li> </ul>
E03	Şebeke Voltajı Yüksek	<ul style="list-style-type: none"> <li>• Şebeke voltajı yükselmiş olabilir</li> </ul>	<ul style="list-style-type: none"> <li>• Şebeke bağlantı kablolarını ve voltajını kontrol ediniz. Doğru voltaj girişi sağlandığından emin olunuz. Şebeke voltajı normal ise yetkili servis ile iletişime geçiniz</li> </ul>

## EKLER

### 5.1 Yedek Parça Listesi

TR



## 5.1 Yedek Para Listesi

NO	TANIM	monoTIG 160i
1	Kompakt Fan	A250200026
2	HF Trafosu	A490900023
	Hall Effekt Sensör 300A	A830900004
3	Kaynak Prizi	A377900104
4	Elektronik Kart E505A-1	K405000186
5	Elektronik Kart E505A-2	K405000187
6	Elektronik Kart E505A-3	K405000185
7	Elektronik Kart E203A PWR/200TIG	K405000176
8	Elektronik Kart M.TIG 200I E204A-GR	K405000191
9	Elektronik Kart E203A AC PWR	K405000226
10	Elektronik Kart E201B-FLT TIG/	K405000295

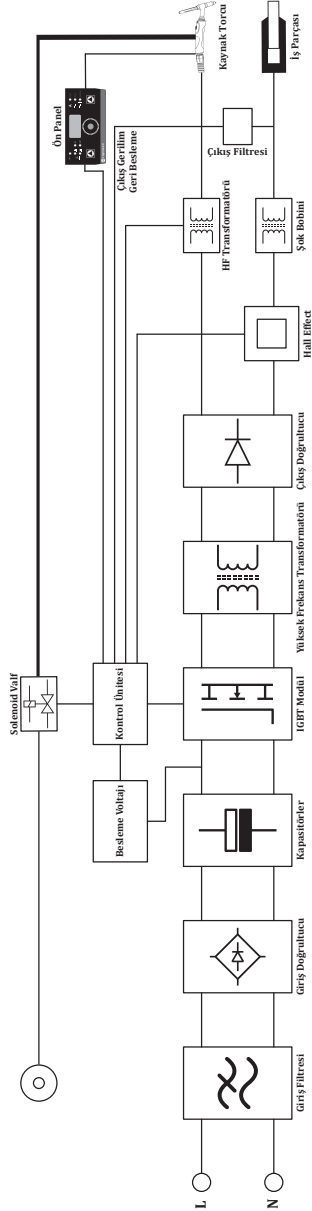
TR

## 5.1 Yedek Parça Listesi

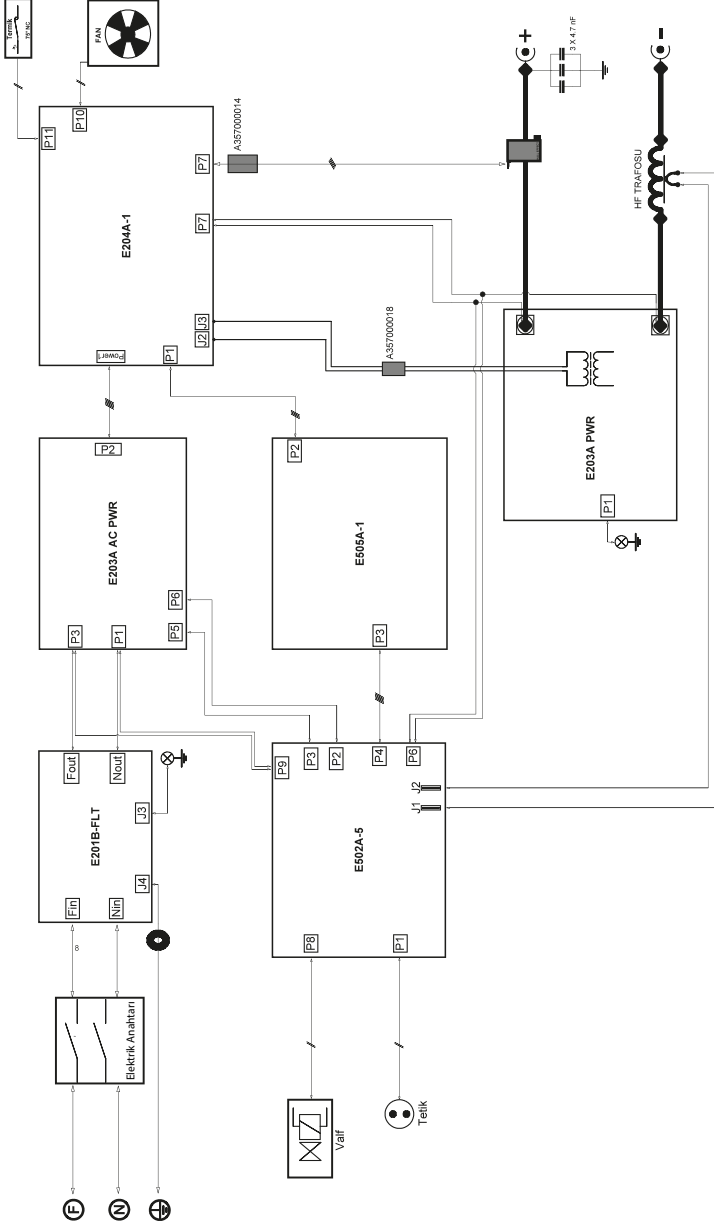
NO	TANIM	monoTIG 200i
1	Kompakt Fan	A250200026
2	HF Trafosu	A490900023
	Hall Effekt Sensör 300A	A830900004
3	Kaynak Prizi	A377900104
4	Elektronik Kart E505A-1	K405000186
5	Elektronik Kart E505A-2	K405000187
6	Elektronik Kart E505A-3	K405000185
7	Elektronik Kart E203A PWR/200TIG	K405000176
8	Elektronik Kart M.TIG 200I E204A-GR	K405000191
9	Elektronik Kart E203A AC PWR	K405000226
10	Elektronik Kart E201B-FLT TIG/	K405000295

## 5.2 Bağlantı Şemaları

### Blok Diyagram



## Devre Şeması



# MAGMA MEKATRONİK MAKİNE SANAYİ VE TİCARET A.Ş.

www.magmaweld.com

## DECLARATION OF CONFORMITY UYGUNLUK DEKLARASYONU



### Company / Firma

Magma Mekatronik Makine Sanayi ve Ticaret A.Ş.  
Organize Sanayi Bölgesi 5. Kısım Yalçın Özaras Caddesi No:1 45030 Manisa / TÜRKİYE

### Factory / Fabrika

Magma Mekatronik Makine Sanayi ve Ticaret A.Ş.  
Organize Sanayi Bölgesi 5. Kısım Yalçın Özaras Caddesi No:1 45030 Manisa / TÜRKİYE

### The Product / Ürün

Appropriate for professional and industrial usage.  
MONOTIG 160i 160Amp (%30) TIG Welding Machine

Profesyonel ve endüstriyel kullanıma uygun  
MONOTIG 160i 160Amp (%30) TIG Kaynak Makinesi

### Date of assessment / Değerlendirme Tarihi

18.11.2019

### European Standard / Avrupa Standartı

EN IEC 60974-1:2018 , EN 60974-10:2014

### Meet the requirements of the European Directive

### Gereklilikler Karşılanan Avrupa Direktifleri

EMC Directive 2014/30/EU - LVD Directive 2014/35/EU

Magma Mekatronik Makine Industry and Trade Co. We declare that the above mentioned products comply with the standard. This declaration will loose its validity in case of modification on the welding machine without our written authorization.

Magma Mekatronik Makine Sanayi ve Ticaret A.Ş. olarak yukarıda geçen ürünün standartlara uygun olduğunu beyan ederiz. Yazılı iznimiz olmaksızın makine üzerinde yapılan değişiklikler bu belgeyi geçersiz kılacaktır.

### Date of issue / Yayın Tarihi

Manisa - 06.10.2021

**Barış Özgür TUĞGAN**  
Ar-Ge Müdürü / R&D Manager

# MAGMA MEKATRONİK MAKİNE SANAYİ VE TİCARET A.Ş.

www.magmaweld.com

## DECLARATION OF CONFORMITY UYGUNLUK DEKLARASYONU



### Company / Firma

Magma Mekatronik Makine Sanayi ve Ticaret A.Ş.  
Organize Sanayi Bölgesi 5. Kısım Yalçın Özaras Caddesi No:1 45030 Manisa / TÜRKİYE

### Factory / Fabrika

Magma Mekatronik Makine Sanayi ve Ticaret A.Ş.  
Organize Sanayi Bölgesi 5. Kısım Yalçın Özaras Caddesi No:1 45030 Manisa / TÜRKİYE

### The Product / Ürün

Appropriate for professional and industrial usage.  
MONOTIG 200i 200Amp (%25) TIG Welding Machine

Profesyonel ve endüstriyel kullanıma uygun  
MONOTIG 200i 200Amp (%25) TIG Kaynak Makinesi

### Date of assessment / Değerlendirme Tarihi

18.11.2019

### European Standard / Avrupa Standartı

EN IEC 60974-1:2018 , EN 60974-10:2014

### Meet the requirements of the European Directive

### Gereklilikler Karşılanan Avrupa Direktifleri

EMC Directive 2014/30/EU - LVD Directive 2014/35/EU

Magma Mekatronik Makine Industry and Trade Co. We declare that the above mentioned products comply with the standard. This declaration will loose its validity in case of modification on the welding machine without our written authorization.

Magma Mekatronik Makine Sanayi ve Ticaret A.Ş. olarak yukarıda geçen ürünün standartlara uygun olduğunu beyan ederiz. Yazılı iznimiz olmaksızın makine üzerinde yapılan değişiklikler bu belgeyi geçersiz kılacaktır.

### Date of issue / Yayın Tarihi

Manisa - 06.10.2021

**Barış Özgür TUĞGAN**  
Ar-Ge Müdürü / R&D Manager





## ЕВРАЗИЙСКИЙ ЭКОНОМИЧЕСКИЙ СОЮЗ ДЕКЛАРАЦИЯ О СООТВЕТСТВИИ

**Заявитель** Общество с ограниченной ответственностью "МАГМАВЭЛД СПб"

Место нахождения и адрес места осуществления деятельности: 191124, Россия, город Санкт-Петербург, улица Ставропольская, Дом 10, Литера А, Помещение 217

Основной государственный регистрационный номер 1187847141503.

Телефон: +78123317470 Адрес электронной почты: magmaweld@inbox.ru

**в лице** Генерального директора Гавшинского Андрея Львовича

**заявляет, что** Оборудование для сварки и газотермического напыления: аппараты для дуговой сварки модели:

MINISTICK, MINISTICK DELUXE, MEGASTICK, MEGASTICK DELUXE, ID 800E, MONOSTICK 165i, MONOSTICK 200i, PROSTICK 200i, ID 250 E, ID 300 E, ID 350 E, ID 400 E, RD 500 E, RD 650 E, GL 451, TD 355, GL 600, ID 250E BASIC, MONOTIG 160i BASIC, MONOTIG 160i, MONOTIG 200i, MONOTIG 160ip, MONOTIG 220ip, MONOTIG 220ip AC/DC, ID 250 T DC, ID 300 T DC, ID 250 T DC PULSE, ID 300 T DC PULSE, ID 250 TW DC, ID 300 TW DC, ID 250 TW DC PULSE, ID 300 TW DC PULSE, ID 300 T AC/DC PULSE, ID 300 TW AC/DC PULSE, ID 500TW DC PULSE, ID 500TW AC/DC PULSE, MONOMIG 200ik, ID 300 M, MEGAMIG, RS 65 PCA, ID 65 PCB, ID 300 M SMART, ID 300 M PULSE SMART, ID 300 M EXPERT, ID 300 M PULSE EXPERT, ID 300 MW SMART, ID 300 MW PULSE SMART, ID 300 MW EXPERT, ID 300 MW PULSE EXPERT, ID 400 M SMART, ID 400 M PULSE SMART, ID 400 M EXPERT, ID 400 M PULSE EXPERT, ID 400 MW SMART, ID 400 MW PULSE SMART, ID 400 MW EXPERT, ID 400 MW PULSE EXPERT, ID 500 M SMART, ID 500 M PULSE SMART, ID 500 M EXPERT, ID 500 M PULSE EXPERT, ID 500 MW SMART, ID 500 MW PULSE SMART, ID 500 MW EXPERT, ID 500 MW PULSE EXPERT, ID 300 MK SMART, ID 300 MK PULSE SMART, ID 300 MK EXPERT, ID 300 MK PULSE EXPERT, ID 300 MKW SMART, ID 300 MKW PULSE SMART, ID 300 MKW EXPERT, ID 300 MKW PULSE EXPERT, ID 400 MK SMART, ID 400 MK PULSE SMART, ID 400 MK EXPERT, ID 400 MK PULSE EXPERT, ID 400 MKW SMART, ID 400 MKW PULSE SMART, ID 400 MKW EXPERT, ID 400 MKW PULSE EXPERT, RS 200 MK, RS 250 M, RS 250 MK, RS 300 M, RS 300 MK, RS 350 M, RS 350 M PRO, RS 350MK PRO, RS 350MW PRO, RS 350 MW, RS 350 MK, RS 400 M, RS 400 MW, RS 400 MK, RS 450M PRO, RS 450 MW PRO, RS 500 M, RS 500 MW, RS 550 M PRO, RS 550 MW PRO, RD 650 MW.

**Изготовитель** "Magma Mekatronik Makine Sanayi ve Ticaret A.S."

Место нахождения и адрес места осуществления деятельности по изготовлению продукции: Турция, Organize Sanayi Bölgesi, 5.Kisim, 45030 Manisa

Филиал: "MAGMAWELD ULUSLARARASI TICARET A.S." Турция, Dereboyu Cad. Bilim Sok. Sun Plaza 5/7 Maslak, 34398 Istanbul **Продукция изготовлена в соответствии с Директивой 2014/35/EU**

"Низковольтное оборудование", Директивой 2014/30/EU "Электромагнитная совместимость", Директивой 2006/42/ЕС "Безопасность машин и оборудования".

Код (коды) ТН ВЭД ЕАЭС: 8515391800

Серийный выпуск.

**соответствует требованиям**

Технического регламента Таможенного союза ТР ТС 004/2011 "О безопасности низковольтного оборудования"

Технического регламента Таможенного союза ТР ТС 010/2011 "О безопасности машин и оборудования"

Технического регламента Таможенного союза ТР ТС 020/2011 "Электромагнитная совместимость технических средств"

**Декларация о соответствии принята на основании**

Протокола испытаний № 00501/ТС/072021 от 07.07.2021 года, выданного Испытательной лабораторией ООО «ТЕХНОСИИ» (регистрационный номер аттестата аккредитации RU.SSK4.04ЕЛКО)

Схема декларирования соответствия: Id

**Дополнительная информация**

Условия хранения: продукция хранится в сухих, проветриваемых складских помещениях при температуре от 0 °С до +30 °С, при относительной влажности воздуха не более 80 %. Срок хранения: изготовителем не установлен. **Срок службы: 5 лет.**

**Декларация о соответствии действительна с даты регистрации по 11.07.2024 включительно**

  
(подпись)

Гавшинский Андрей Львович

(Ф.И.О. заявителя)

Регистрационный номер декларации о соответствии: ЕАЭС N RU Д-TR.PA01B.00558/21

Дата регистрации декларации о соответствии: 14.07.2021



# YETKİLİ SERVİSLER

## MERKEZ SERVİS

Organize Sanayi Bölgesi, 5. Kısım 45030 MANİSA

**Telefon :** 444 93 53

**E-Posta :** info@magmaweld.com

---

## YETKİLİ SERVİSLER



Güncel servis listemiz için [www.magmaweld.com.tr/servis-listesi](http://www.magmaweld.com.tr/servis-listesi) web sitemizi ziyaret ediniz.

**Magma Mekatronik Makine Sanayi ve Ticaret A.Ş.**  
Organize Sanayi Bölgesi, 5. Kısım 45030 Manisa, TÜRKİYE

**T: (236) 226 27 00**

**F: (236) 226 27 28**

01.08.2022

UM\_MONOT160\_200\_082022\_082022\_001\_84

---



**(+90) 444 93 53**  
**magmaweld.com**  
**info@magmaweld.com**