



USER MANUAL

ID 65 PX
ID 65 P



All rights reserved. It is prohibited to reproduce this documentation, or any part thereof, without the prior written authorisation of Magma Mekatronik Makine Sanayi ve Ticaret A.Ş.
Magma Mekatronik may modify the information and the images without any prior notice.
Tüm hakları saklıdır. Magma Mekatronik Makine Sanayi ve Ticaret A.Ş.'nin yazılı izni olmaksızın bu dokümanın tamamının ya da bir bölümünün kopyalanması yasaktır.
Magma Mekatronik önceden haber vermeksizin bilgilerde ve resimlerde değişiklik yapılabilir.

INVERTER PLASMA CUTTING MACHINE	EN
MACHINE DE DÉCOUPE PLASMA À ONDULEUR	FR
PLASMASCHNEIDER MIT INVERTERTECHNOLOGIE	DE
ИНВЕРТОР ДЛЯ ПЛАЗМЕННОЙ РЕЗКИ	RU
MÁQUINA DE CORTE POR PLASMA TIPO INVERTER	PT
MÁQUINA DE CORTE POR PLASMA INVERSOR	ES
INVERTER PLASMASNIJMACHINE	NL
ماكينة قطع البلازما العاكس	AR
İNVERTÖR PLAZMA KESME MAKİNESİ	TR

 **CONTENTS**

	SAFETY PRECAUTIONS	5
1	TECHNICAL INFORMATION	
1.1	General Information	11
1.2	Machine Components	11
1.3	Product Label	13
1.4	Technical Data	14
1.5	Accessories	14
2	INSTALLATION	
2.1	Delivery Control	15
2.2	Installation and Operation Recommendations	15
2.3	Mains Plug Connection	16
2.4	Connection to Mains	16
2.5	Connections for Plasma Cutting	16
2.5.1	Gas Connections	16
2.5.2	Grounding Pliers Connections	16
2.5.3	Torch Connections	17
2.6	Placing Consumables	17
2.7	Pilot Arc	18
2.8	Remote Control	18
3	OPERATION	
3.1	User Interface	21
3.2	Torch Usage	25
4	MAINTENANCE AND SERVICE	
4.1	Maintenance	26
4.2	Troubleshooting	27
4.3	Error Codes	29
5	ANNEX	
5.1	Plasma Cutting Automation Connection Diagram	31
5.2	Manual Torch Consumables and Spare Parts	32
5.3	Mechanized Torch Consumables and Spare Parts	33
5.4	Plasma Cutting Machine Spare Parts List	34
5.5	Connection Diagrams	36

SAFETY PRECAUTIONS

EN

Be Sure To Follow All Safety Rules In This Manual!

Explanation Of Safety Information



- Safety symbols found in the manual are used to identify potential hazards.
- When any one of the safety symbols are seen in this manual, it must be understood that there is a risk of injury and the following instructions should be read carefully to avoid potential hazards.
- The possessor of the machine is responsible for preventing unauthorized persons from accessing the equipment.
- Persons using the machine must be experienced or fully trained in welding / cutting they have to read the user manual before operation and follow the safety instructions.

Explanation Of Safety Symbols



ATTENTION

Indicates a potentially hazardous situation that could cause injury or damage. In case if no precaution is taken, it may cause injuries or material losses / damages.



IMPORTANT

Specifies notifications and alerts on how to operate the machine.



DANGER

Indicates a serious danger. In case if not avoided, severe or fatal injuries may occur.

Comprehending Safety Precautions



- Read the user manual, the label on the machine and the safety instructions carefully.
- Make sure that the warning labels on the machine are in good condition. Replace missing and damaged labels.
- Learn how to operate the machine, how to make the checks in a correct manner.
- Use your machine in suitable working environments.
- Improper changes made in your machine will negatively affect the safe operation and its longevity.
- The manufacturer is not responsible for the consequences resulting from the operation of the device beyond the specified conditions.

Electric Shocks May Kill



Make certain that the installation procedures comply with national electrical standards and other relevant regulations, and ensure that the machine is installed by authorized persons.

- Wear dry and sturdy insulated gloves and working apron. Never use wet or damaged gloves and working aprons.
- Wear flame-resistant protective clothing against the risk of burning. The clothing used by the operator must be protective against sparks, splashing and arc radiation.
- Do not work alone. In case of a danger make sure you have someone for help in your working environment.
- Do not touch the electrode with the bare hand. Do not allow the electrode holder or electrode to come in contact with any other person or any grounded object.
- Never touch parts that carry electricity.
- Never touch the electrode if you are in contact with the electrode attached to the work surface, floor or another machine.
- By isolating yourself from the work surface and the floor, you can protect yourself from possible electric shocks. Use a non-flammable, electrically insulating, dry and undamaged insulation material that is large enough to cut off the operator's contact with the work surface.
- Do not connect more than one electrode to the electrode holder.
- Clamp work cable with good metal-to-metal contact to workpiece or worktable as near the weld as practical.
- Check the torch before operating the machine. Make sure the torch and its cables are in good condition. Always replace a damaged, worn torch.
- Do not touch electrode holders connected to two machines at the same time since double open-circuit voltage will be present.
- Keep the machine turned off and disconnect cables when not in use.
- Before repairing the machine, remove all power connections and / or connector plugs or turn off the machine.
- Be careful when using a long mains cable.

- Make sure all connections are tight, clean, and dry.
 - Keep cables dry, free of oil and grease, and protected from hot metal and sparks.
 - Bare wiring can kill. Check all cables frequently for possible damage. If a damaged or an uninsulated cable is detected, repair or replace it immediately.
 - Insulate work clamp when not connected to workpiece to prevent contact with any metal object.
 - Make sure that the grounding of the power line is properly connected.
 - Do not use AC weld output in damp, wet, or confined spaces, or if there is a danger of falling.
 - Use AC output ONLY if required for the welding process.
 - If AC output is required, use remote output control if present on unit.
- Additional safety precautions are required when any of the following electrically hazardous conditions are present :**
- in damp locations or while wearing wet clothing,
 - on metal structures such as floors, gratings, or scaffolds,
 - when in cramped positions such as sitting, kneeling, or lying,
 - when there is a high risk of unavoidable or accidental contact with the workpiece or ground.
- For these conditions, use the following equipment in order presented:
- Semiautomatic DC constant voltage (CV) MIG welding machine,
 - DC manual MMA welding machine,
 - DC or AC welding machine with reduced open-circuit voltage (VRD), if available.

Procedures for Electric Shock



- Turn off the electric power.
- Use non-conducting material, such as dry wood, to free the victim from contact with live parts or wires.
- Call for emergency services.

If you have first aid training;

- If the victim is not breathing, Administer cardiopulmonary resuscitation (CPR) immediately after breaking contact with the electrical source. Continue CPR (cardiac massage) until breathing starts or until help arrives.
- Where an automatic electronic defibrillator (AED) is available, use according to instructions.
- Treat an electrical burn as a thermal burn by applying sterile, cold (iced) compresses. Prevent contamination, and cover with a clean, dry dressing.

Moving Parts May Cause Injuries



- Keep away from the moving parts.
- Keep all protective devices such as covers, panels, flaps, etc., of machinery and equipment closed and in locked position.
- Wear metal toe shoes against the possibility of heavy objects falling on to your feet.

Fumes and Gases May Be Harmful To Your Health



Long-term inhalation of fumes and gases released from welding / cutting is very dangerous.

- Burning sensations and irritations in the eyes, nose and throat are signs of inadequate ventilation. In such a case, immediately boost the ventilation of the work area, and if the problem persists, stop the welding / cutting process completely.
- Create a natural or artificial ventilation system in the work area.
- Use a suitable fume extraction system where welding / cutting works are being carried out. If necessary, install a system that can expel fumes and gases accumulated in the entire workshop. Use a suitable filtration system to avoid polluting the environment during discharge.
- If you are working in narrow and confined spaces or if you are welding lead, beryllium, cadmium, zinc, coated or painted materials, use masks that provide fresh air in addition to the above precautions.
- If the gas tanks are grouped in a separate zone, ensure that they are well ventilated, keep the main valves closed when gas cylinders are not in use, pay attention to possible gas leaks.
- Shielding gases such as argon are denser than air and can be inhaled instead of air if used in confined spaces. This is dangerous for your health as well.
- Do not perform welding / cutting operations in the presence of chlorinated hydrocarbon vapors released during lubrication or painting operations.
- Some welded / cut parts require special ventilation. The safety rules of products that require special ventilation should be read carefully. A suitable gas mask should be worn when necessary.

Arc Light May Damage Your Eyes and Skin

- Use a standard protective mask and a suitable glass filter to protect your eyes and face.
- Protect other naked parts of your body (arms, neck, ears, etc.) with suitable protective clothing from these rays.
- Enclose your work area with flame-resistant folding screens and hang warning signs at eye level so that people around you will not sustain injuries from arc rays and hot metals.
- This machine is not used for heating of icebound pipes. This operation performed with the welding / cutting machine causes explosion, fire or damage to your installation.

Sparks and Spattering Particles May Get Into Eyes and Cause Damage

- Performing works such as welding / cutting, surface grinding, and brushing cause sparks and metal particles to splatter. Wear approved protective work goggles which have edge guards under the welding masks to prevent sustaining possible injuries.

Hot Parts May Cause Severe Burns

- Do not touch the hot parts with bare hands.
- Wait until the time required for the machine to cool down before working on its parts.
- If you need to hold hot parts, use suitable tools, welding / cutting gloves with high-level thermal insulation and fire-resistant clothes.

Noise May Cause Damage To Your Hearing Ability

- The noise generated by some equipment and operations may damage your hearing ability.
- Wear approved personal ear protective equipment if the noise level is high.

Welding Wires Can Cause Injuries

- Do not point the torch towards any part of the body, other persons, or any metal while unwrapping the welding / cutting wire.
- When welding wire is run manually from the roller especially in thin diameters the wire can slip out of your hand, like a spring or can cause damage to you or other people around, therefore you must protect your eyes and face while working on this.

Welding Operations May Cause Fire and Explosion

- Never perform welding / cutting work in places near flammable materials. There may be fire or explosions.
- Before starting the welding / cutting work, remove these materials from the environment or cover them with protective covers to prevent combustions and flaring.
- National and international special rules apply in these areas.
- Do not apply welding / cutting operations into completely closed tanks or pipes.
- Before welding to tanks and closed containers, open them, completely empty them, and clean them. Pay the greatest attention possible to the welding / cutting operations you will perform in such places.
- Do not weld in tanks and pipes which might have previously contained substances that may cause explosions, fires or other reactions.
- Welding / cutting equipment heats up. For this reason, do not place it on surfaces that could easily burn or be damaged !
- Sparks and splashing parts may cause a fire. For this reason, keep materials such as fire extinguishers tubes, water, and sand in easily accessible places.
- Use holding valves, gas regulators and valves on flammable, explosive and compressed gas circuits. Make sure that they are periodically inspected and pay attention that they run reliably.

Maintenance Work Performed by Unauthorized Persons To Machines and Apparatus May Cause Injuries

- Electrical equipment should not be repaired by unauthorized persons. Errors occurred if failed to do so may result in serious injury or death when using the equipment.
- The gas circuit elements operate under pressure; explosions may occur as a result of services provided by unauthorized persons, users may sustain serious injuries.
- It is recommended to perform technical maintenance of the machine and its auxiliary units at least once a year.

Welding / Cutting in Small Sized and Confined Spaces

- In small-sized and confined spaces, absolutely make sure to perform welding / cutting operations, accompanied by another person.
- Avoid performing welding / cutting operations in such enclosed areas as much as possible.

**Failure To Take Precautions During Transport May Cause Accidents**

- Take all necessary precautions when moving the machine. The areas where the machine to be transported, parts to be used in transportation and the physical conditions and health of the person carrying out the transportation works should be suitable for the transportation process.
- Some machines are extremely heavy; therefore, make sure that the necessary environmental safety measures are taken when changing their places.
- If the machine is to be used on a platform, it must be checked that this platform has suitable load bearing limits.
- If it is to be transported by means of a haulage vehicle (transport trolley, forklift etc.), make sure of the durability of the vehicle, and the connection points (carrying suspenders, straps, bolts, nuts, wheels, etc.) that connect the machine to this vehicle.
- If the machine will be carried manually, make sure the durability of the machine apparatuses (carrying suspenders, straps, etc.) and connections.
- Observe the International Labor Organization's rules on carriage weights and the transport regulations in force in your country in order to ensure the necessary transport conditions.
- Always use handles or carrying rings when relocating the power-supply sources. Never pull from torches, cables or hoses. Be absolutely sure to carry gas cylinders separately.
- Remove all interconnections before transporting the welding / cutting equipment, each being separately, lift and transport small ones using its handles, and the big ones from its handling rings or by using appropriate haulage equipment, such as forklifts.

Falling Parts May Cause Injuries

Improper positioning of the power-supply sources or other equipment can cause serious injury to persons and physical damage to other objects.

- Place your machine on the floor and platforms with a maximum tilt of 10° so that it does not fall or tip over. Choose places that do not interfere with the flow of materials, where there is no risk of tripping over on cables and hoses; yet, large, easily ventilatable, dust-free areas. To prevent gas cylinders from tipping over, on machines with a gas platform suitable for the tanks, fix the tanks on to the platform; in stationary usage applications, fix them to the wall with a chain in a way that they would not tip over for sure.
- Allow operators to easily access settings and connections on the machine.

Excessive Use Of The Machine Causes Overheating

- Allow the machine to cool down according to operation cycle rates.
- Reduce the current or operation cycle rate before starting the welding / cutting again.
- Do not block the fronts of air vents of the machines.
- Do not put filters that do not have manufacturer approvals into the machine's ventilation ports.

Excessive Use Of The Machine Causes Overheating

- This device is in group 2, class A in EMC tests according to TS EN 55011 standard.
- This class A device is not intended for use in residential areas where electrical power is supplied from a low-voltage power supply. There may be potential difficulties in providing electromagnetic compatibility due to radio frequency interference transmitted and emitted in such places.



This device is not compliant with IEC 61000 -3-12. In case if it is desired to be connected to the low voltage network used in the home, the installer to make the electrical connection or the person who will use the machine must be aware that the machine has been connected in such a manner; in this case the responsibility belongs to the user.

- Make sure that the work area complies with electromagnetic compatibility (EMC). Electromagnetic interferences during welding / cutting operations may cause undesired effects on your electronic devices and network; and the effects of these interferences that may occur during these operations are under the responsibility of the user.
- If there is any interference, to ensure compliance; extra measures may be taken, such as the use of short cables, use of shielded (armored) cables, transportation of the welding machine to another location, removal of cables from the affected device and / or area, use of filters or taking the work area under protection in terms of EMC.
- To avoid possible EMC damage, make sure to perform your welding / cutting operations as far away from your sensitive electronic devices as possible (100 m).

- Ensure that your welding and/or cutting machine has been installed and situated in its place according to the user manual.

Evaluation Of Electromagnetic Suitability Of The Work Area



According to article 5.2 of IEC 60974-9;

Before installing the welding / cutting equipment, the person in charge of the operation and / or the user must conduct an inspection of possible electromagnetic interference in the environment.

Aspects indicated below has to be taken into consideration;

- Other supply cables, control cables, signal and telephone cables, above and below the welding / cutting machine and its equipment,
- Radio and television transmitters and receivers,
- Computer and other control hardware,
- Critical safety equipment, e.g. protection of industrial equipment,
- Medical apparatus for people in the vicinity, e.g. pacemakers and hearing aids,
- Equipment used for measuring or calibration,
- Immunity of other equipment in the environment. The user must ensure that the other equipment in use in the environment is compatible. This may require additional protection measures.
- Considering the time during which the welding / cutting operations or other activities take place during the day, the boundaries of the investigation area can be expanded according to the size of the building, the structure of the building and other activities that are being performed in the building.

In addition to the evaluation of the field, evaluation of device installations may also be necessary for solving the interfering effect. In case if deemed necessary, on-site measurements can also be used to confirm the efficiency of mitigation measures.

(Source: IEC 60974-9).

Electromagnetic Interference Reduction Methods



- The appliance must be connected to the electricity supply in the recommended manner by a competent person. If interference occurs, additional measures may be applied, such as filtering the network. The supply of the fixed-mounted arc welding equipment must be made in a metal tube or with an equivalent shielded cable. The housing of the power supply must be connected and a good electrical contact between these two structures has to be provided.
- The recommended routine maintenance of the appliance must be carried out. All covers on the body of the machine must be closed and / or locked when the device is in use. Any changes, other than the standard settings without the written approval of the manufacturer, cannot be modified on the appliance. Otherwise, the user is responsible for any consequences that may possibly occur.
- Welding / cutting cables should be kept as short as possible. They must move along the floor of the work area, in a side by side manner. Welding / cutting cables should not be wound in any way.
- A magnetic field is generated on the machine during welding / cutting. This may cause the machine to pull metal parts on to itself. To avoid this attraction, make sure that the metal materials are at a safe distance or fixed. The operator must be insulated from all these interconnected metal materials.
- In cases where the workpiece cannot be connected to the ground due to electrical safety, or because of its size and position (for example, in building marine vessel bodies or in steel construction manufacturing), a connection between the workpiece and the grounding may reduce emissions in some cases, it should be kept in mind that grounding of the workpiece may cause users to sustain injuries or other electrical equipment in the environment to break down. In cases where necessary, the workpiece and the grounding connection can be made as a direct connection, but in some countries where direct connection is not permissible, the connection can be established using appropriate capacity elements in accordance with local regulations and ordinances.
- Screening and shielding of other devices and cables in the work area can prevent aliasing effects. Screening of the entire welding / cutting area can be evaluated for some specific applications.

Electromagnetic Field (EMF)



The electrical current passing through any conductor generates zonal electric and magnetic fields (EMF).

All operators must follow the following procedures to minimize the risk of exposure to EMF;

- In the name of reducing the magnetic field, the welding / cutting cables must be assembled and secured as far as possible with the joining materials (tape, cable ties etc.).
- The operator's body and head should be kept as far away from the welding / cutting machine and cables as possible,

The electrical current passing through any conductor generates zonal electric and magnetic fields (EMF).

All operators must follow the following procedures to minimize the risk of exposure to EMF;

- In the name of reducing the magnetic field, the welding / cutting cables must be assembled and secured as far as possible with the joining materials (tape, cable ties etc.).
- The operator's body and head should be kept as far away from the welding / cutting machine and cables as possible,
- Welding / cutting and electric cables should not be wrapped around the body of the machine in any way,
- The body of the machine should not get caught between the welding / cutting cables. The source cables must be kept away from the body of the machine, both being placed side by side,
- The return cable must be connected to the workpiece as close as possible to the work area,
- The welding / cutting machine should not rest against the power unit, ensconce on it and not work too close to it,
- Welding / cutting work should not be performed when carrying the wire supply unit or power unit.

EMF may also disrupt the operation of medical implants (materials placed inside the body), such as pacemakers. Protective measures should be taken for people who carry medical implants. For example, access limitation may be imposed for passers-by, or individual risk assessments may be conducted for welders. Risk assessment should be conducted and recommendations should be made by a medical professional for users who carry medical implants.

Protection



- Do not expose the machine to rain, prevent the machine from splashing water or pressurized steam.

Energy Efficiency



- Choose the welding / cutting method and welding machine for the welding work you are to perform.
- Select the welding / cutting current and/or voltage to match the material and thickness you are going to weld.
- If you have to wait for a long time before you start your welding / cutting work, turn off the machine after the fan has cooled it down. Our machines with smart fan control will turn off on their own.

Waste Procedure



- This device is not domestic waste. It must be directed to recycling within the framework of the European Union directive and national laws.
- Obtain information from your dealer and authorized persons about the waste management of your used machines.

WARRANTY FORM



Please visit our website www.magmaweld.com/warranty-form/wr for warranty form.

TECHNICAL INFORMATION

EN

1.1 General Information

ID 65 PX and ID 65 P are high performance plasma cutting machines designed for cutting and gouging applications. With its compact design, it is lightweight and portable. It offers excellent cutting and gouging performance. In the ID 65 PX model, the gas pressure required during cutting is automatically adjusted according to the cutting mode and the torch used. Whereas, in the ID 65 P model, the required gas pressure must be adjusted manually.

1.2 Machine Components

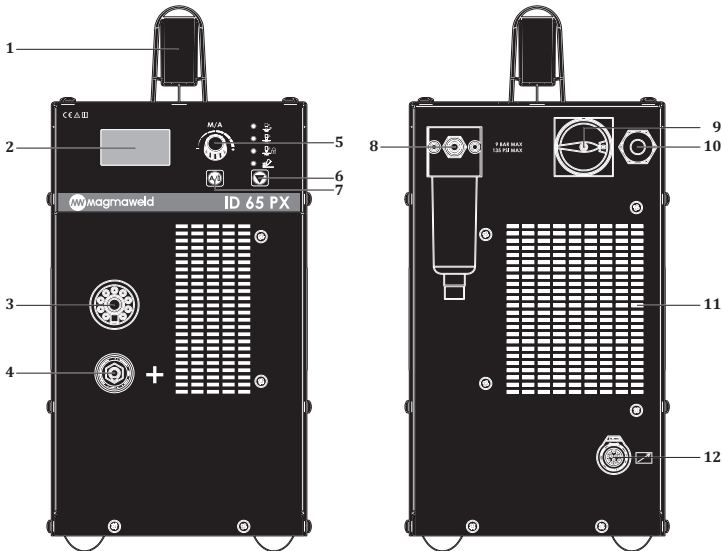


Figure 1 : ID 65 PX Front and Back View

- | | |
|----------------------------------|-----------------------------------|
| 1- Handle | 7- Current / Gas Selection Button |
| 2- Digital Display | 8- Air Filter |
| 3- Torch Connector | 9- On / Off Switch |
| 4- Grounding Connection (+) | 10- Power Connection |
| 5- Adjustment Pot | 11- Fan |
| 6- Cutting Mode Selection Button | 12- Remote Control Connector |

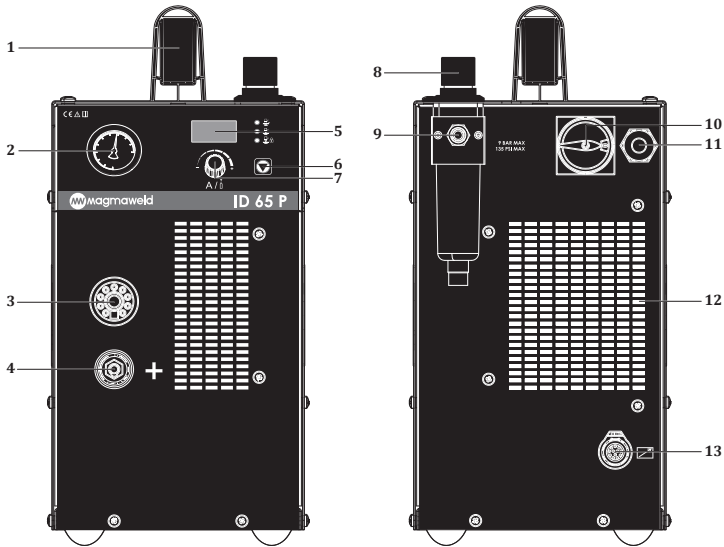



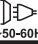






Figure 2 : ID 65 P Front and Back View

- | | |
|----------------------------------|--------------------------------|
| 1- Handle | 8- Gas Pressure Adjustment Pot |
| 2- Manual Gas Pressure Display | 9- Air Filter |
| 3- Torch Connector | 10- On / Off Switch |
| 4- Grounding Connection (+) | 11- Power Connection |
| 5- Digital Display | 12- Fan |
| 6- Cutting Mode Selection Button | 13- Remote Control Connector |
| 7- Adjustment Pot | |

1.3 Product Label

EN

MAGMA MEKATRONİK MAKİNE SAN. VE TİC. A.Ş. Organize Sanayi Bölgesi 5.Kısım Manisa-TÜRKİYE				
ID 65 PX		S/N:		
		EN 60974-1/-10 Cl. A		
	20A / 88V - 65A / 106V			
	$X^{(40^{\circ}\text{C})}$	50%	60%	100%
	I_2	65A	59A	46A
	U_2	106V	103.7V	98.4V
	$U_i=400\text{V}$	$I_{1\text{max}} = 17.8\text{A}$	$I_{\text{eff}} = 12.61\text{A}$	
IP21S	CE	EAC	UK CA	

MAGMA MEKATRONİK MAKİNE SAN. VE TİC. A.Ş. Organize Sanayi Bölgesi 5.Kısım Manisa-TÜRKİYE				
ID 65 P		S/N:		
		EN 60974-1/-10 Cl. A		
	20A / 88V - 65A / 106V			
	$X^{(40^{\circ}\text{C})}$	50%	60%	100%
	I_2	65A	59A	46A
	U_2	106V	103.7V	98.4V
	$U_i=400\text{V}$	$I_{1\text{max}} = 17.8\text{A}$	$I_{\text{eff}} = 12.61\text{A}$	
IP21S	CE	EAC	UK CA	

 Three Phase Transformer Rectifier

X Duty Cycle

 Vertical Characteristic

U₀ Open Circuit Voltage

 Direct Current

U₁ Mains Voltage and Frequency

 Plasma Cutting

U₂ Rated Welding Voltage

 Mains Input 3-Phase Alternating Current

I₁ Rated Mains Current

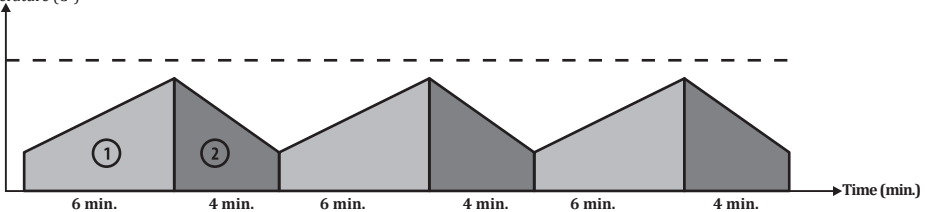
 Suitable for Operation at Hazardous Environments

I₂ Rated Welding Current

S₁ Rated Power

IP21 Protection Class

Duty Cycle
Temperature (C°)



As defined in the standard EN 60974-1, the duty cycle rate includes a time period of 10 minutes. For example, if a machine specified as 100A at %60 is to be operated at 100A, the machine can cut without interruption in the first 6 minutes of the 10 minutes period (zone 1). However, the following 4 minutes should be kept idle for the machine cool down (zone 2).

1.4 Technical Data

TECHNICAL DATA	UNIT	ID 65 PX	ID 65 P
Mains Voltage (3-Phase 50-60 Hz)	V	400	400
Rated Power	kVA	12,3	12,3
Current Range	ADC	20 - 65	20 - 65
Rated Current	ADC	65	65
Open Circuit Voltage	VDC	270	270
Recommended Cutting Thickness (All metals)	mm	22 (500 mm/sec.)	22 (500 mm/sec.)
Maximum Cutting Thickness (All metals)	mm	28 (250 mm/sec.)	28 (250 mm/sec.)
Breakout Thickness (All metals)	mm	35 (125 mm/sec.)	35 (125 mm/sec.)
Gouging (3,5 mm D x 6,6 mm G)	kg	5 (1 Hour)	5 (1 Hour)
Dimensions (l x w x h)	mm	628.1 x 219.3 x 453.7	628.1 x 219.3 x 453.7
Weight	kg	26	26
Protection Class		IP21S	IP21S

The cutting speeds in the table are the results of Magmaweld's laboratory tests. It may vary according to different cutting applications and environmental conditions.

1.5 Accessories

STANDARD ACCESSORIES	QTY	PRODUCT CODE
Workpiece Clamp and Cable	1	K301100343
Torch (Manual) *	1	7142H10506
Torch (Mechanized) *	1	7142M10512

* Must be verified during order.

INSTALLATION

2.1 Delivery Control

Make sure that all the materials you have ordered have been received. If any material is missing or damaged, contact your place of purchase immediately.

The standard box includes the following;

- Cutting machine and connected mains cable
- Torch and consumables
- Workpiece clamp and cable
- Warranty certificate
- User manual

In case of a damaged delivery, record a report, take a picture of the damage and report to the transport company together with a photocopy of the delivery note. If the problem persists, contact the customer service.

Symbols and their meanings on the device



Cutting / welding may be dangerous. Proper working conditions should be ensured and necessary precautions should be taken. Specialists are responsible for the machine and have to be equipped with the necessary equipment and those who are not relevant should be kept away from the cutting / welding area.



This device is not compatible with IEC 61000-3-12. If it is desired to connect to the low voltage mains used in homes, it is essential that the installer or the person who will operate the machine to make the electrical connection has information on the machine's connectivity. In this case the responsibility will be assumed by the person who will perform the installation or by the operator.



The safety symbols and warning notes on the device and in the operating instructions must be observed and the labels must not be removed.



Grids are intended for ventilation. The openings should not be covered in order to provide good cooling and no foreign objects should be inserted.

2.2 Installation and Operation Recommendations

- Lifting rings or forklifts should be used to move the machine. Do not lift the machine with the gas cylinder. When manually carrying portable welding machines, action must be taken in accordance with Occupational Health and Safety regulations. Necessary arrangements must be made in the workplace to ensure that the transportation process is carried out in accordance with health and safety conditions as much as possible. Precautions should be taken in accordance with the characteristics of the working environment and the requirements of the job. Place the machine on a hard, level, smooth surface where it will not fall or tip over
- If the ambient temperature exceeds 40°C, operate the machine at a lower current or a lower operating cycle.
- Avoid cutting outdoors in windy and rainy weather circumstances. If cutting is necessary in such cases, protect the cutting area and the cutting machine with a curtain and canopy.
- When positioning the machine, make sure that materials such as walls, curtains, boards do not prevent easy access to the machine's controls and connections.
- If you cut indoors, use a suitable fume extraction system. Use breathing apparatus if there is a risk of inhaling cutting fumes and gas in confined spaces.
- Observe the operating cycle rates specified on the product label. Suspending operating cycle rates can damage the machine and this may invalidate the warranty.
- The supply cable must comply with the specified fuse value.
- The power supply must be grounded in accordance with local and national electrical codes.
- Make sure the gas supply connections are made correctly. If the gas source is compressed in the cylinder, fix the gas cylinder so that it does not tip over.

2.3 Mains Plug Connection



Never use the mains cable of the machine without a plug for your safety. Protect the equipment with slow blow fuse appropriate for the system and with an emergency switch that will quickly shut off the incoming electricity in an emergency.

- Use the appropriate ground cable for your power supply. Push the chassis connector into the connector on the power supply and snap it in, make sure the connection is tight.
- Electrical connection works should be carried out by a qualified electrician in accordance with local and national regulations.

2.4 Connection to Mains



When plugging the power plug into the outlet, make sure that the power switch is set to “0”.

- Before connecting the machine to the mains, check the 3 phases with a voltmeter. After making sure that each phase is correct, insert the plug into the socket.
- Start the machine by using the On/Off switch.
- The machine is ready to start after the **MW** symbol appears on the screen. (ID 65 PX)
- Turn the machine off by turning the switch back to the “0” position.

2.5 Connections for Plasma Cutting



Be careful during the cutting process and wear appropriate protective clothing and gloves.

2.5.1 Gas Connections

- If the gas source is in the workshop or gas cylinder, a gas regulator should be used and this regulator should be able to supply gas to the air inlet on the machine.
- If a gas cylinder is used, secure the gas cylinder to prevent it from tipping over.
- In order to work safely and achieve the best results, use a regulator that complies with standards and make sure the gas supply quality is up to the standards. Gas supply quality will affect cutting performance and consumption quality.
- Protect the gas line from contaminants such as oil, dust, etc.
- Keep the gas cylinder valve open for a while to allow possible sediment and particles to be discharged.
- Connect the gas regulator to the gas cylinder, make sure that the screw thread on the gas outlet of the gas cylinder and the nut of the regulator overlap.
- Connect one end of the tube hose to the gas regulator and the other end to the gas inlet at the back of the machine and open the gas cylinder valve.
- Adjust the gas flow with the pressure regulating valve.
- Make sure there are no leaks in the connections.
- The air filter may be damaged if the upper limit of the inlet gas pressure is exceeded.

Gas Source	Clean, dry, oil-free air or nitrogen
Recommended gas inlet flow rate / pressure	Cutting : 185 l/min at 5.5 bar. Gouging : 208 l/min at 4.6 bar.

2.5.2 Grounding Pliers Connections

- Insert the plug of the ground clamp cable into the grounding socket on the machine and tighten it by turning it to the right. Make sure the connection is made.
- To improve cutting quality, firmly attach the ground clamp to the work piece as close as possible to the area to be cut.

- Make sure there is good metal-to-metal contact. Never connect the ground clamp to the falling part of the metal.



The power supply must be grounded in accordance with national and local electrical regulations to ensure personal safety, reduce electromagnetic interference, and create appropriate operating conditions.

EN

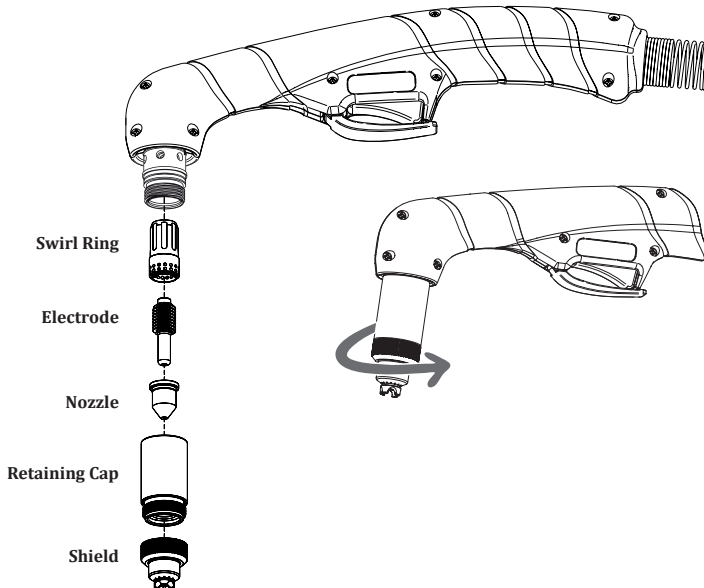
2.5.3 Torch Connections

- Magmaweld brand plasma cutting torches should be used according to the cutting method to be used with the power source.
- A manual torch is used for manual cutting, and a mechanized torch for mechanized cutting.
- For the torch connection, insert the torch connector into its connector on the power supply and turn it to the right. Make sure the connection is completed.
- Keep the power supply off while connecting the torch.
- See 5.1 for detailed information on torches.



2.6 Placing Consumables

- The materials used for manual and mechanized plasma cutting torches are different from each other.
- First, the consumables of the torch must be prepared.
- Appropriate consumables should be selected according to the torch type and method used.
- Consumables must be installed in the specified order:



- The life of consumables depends on the material to be cut, cutting thickness, cutting length, cutting method, appropriate distance to the material, air quality and blast frequency. If the frequency of blasting is high, the consumable will wear out more quickly.
- When working with shielded consumables, the torch tip may touch the metal to be cut while cutting. When working with unshielded consumables, a distance of 2-3 mm should be in between the part to be cut and the torch.
- See 5.1 for detailed information on consumables.



**Plasma arc forms immediately when the torch trigger is pressed.
Make sure the power supply is turned off when replacing plasma consumables.**

2.7 Pilot Arc

Ionized gas with high electrical conductivity is used in the plasma cutting process. The moment the plasma torch is triggered, DC power is activated and a rapid flow of gas begins in the torch within a short time. This DC power ionizes the gas in the torch and arc occurs. This arc which is narrowed and intensified by the torch, is called pilot arc.

The pilot arc is forced out of the torch tip by high velocity gases. When it comes into contact with the metal to be cut, the main current is formed and the cutting begins. The cutting process is continued by moving the torch.

2.8 Remote Control

Remote control will only be activated when using a mechanized torch. There is a connector for remote control at the back of the machine. When the necessary connection is made to the connector on the back of the power supply, it provides access to the arc voltage and yields a signal for arc transfer and plasma initiation. See 5.2 for detailed information on automation wiring diagram.

Voltage Divider Setting

The power supply has a five-position voltage divider.

Voltage information is changed with the help of the voltage divider. The voltage divider is set to 20:1 as default. The table below shows the location of the DIP switches for voltage divider settings.



: It shows that the switch is above.

There are 2 types of automation interfaces - digital and analog communication - used by the ID 65 PX plasma cutting machine.

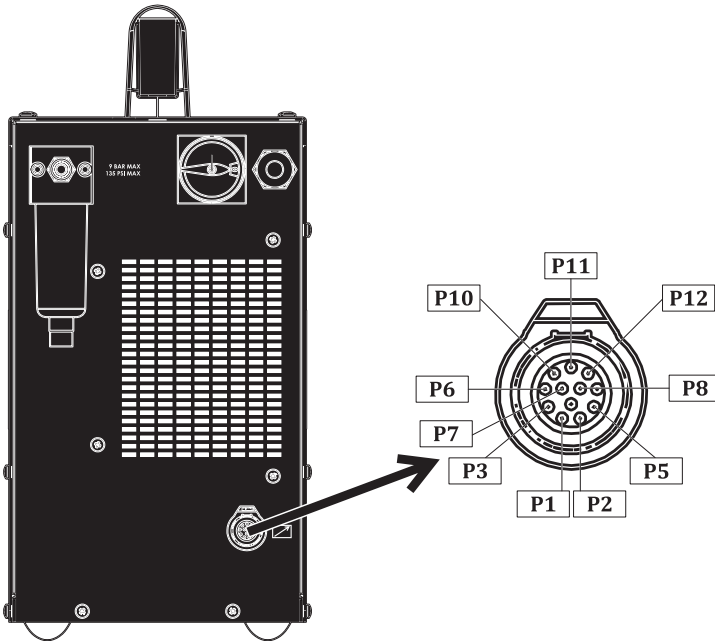
Whereas, ID 65 P plasma cutting machine has only analog communication automation interface.

1) Digital Communication

Additional socket and card are added to the machine. Digital communication is achieved over Modbus by using them. In addition to analog communication;

- Machine's current can be adjusted remotely.
- Cutting current and gas pressure can be adjusted remotely according to the materials to be cut.
- Machine modes can be changed remotely.
- All error codes on the machine can be delivered to the automation interface. Thus, either the table is stopped or the operator is warned.

The connector pins for signals to be used along the machine interface cable are depicted in the figure below. The table contains information about the signals. The following table should be observed when the power supply is to be connected to the CNC table or torch height controller with the machine interface cable:

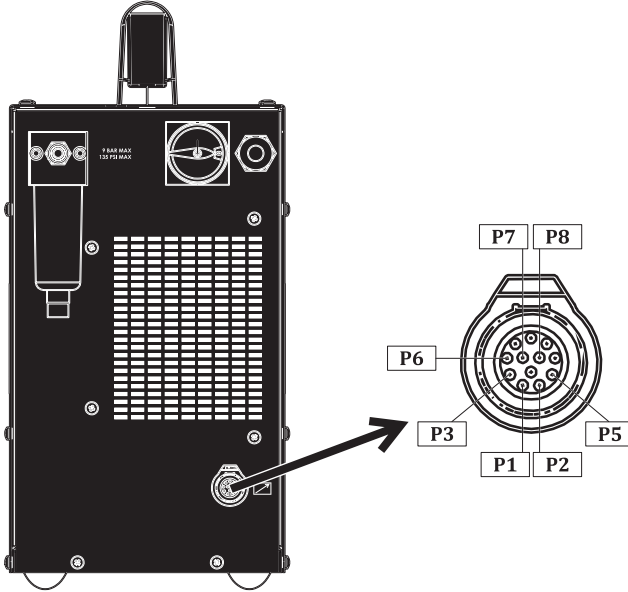


Connection Name	Connector Pin	Explanation
Start (Trigger)	P5, P2	It has 24 VDC open-circuit voltage. Requires dry contact closure to activate.
Arc Approval	P1, P3	Normally open contact. When the plasma arc forms, the contact switches off. (Max. : 220 VDC 2A)
Communication	P10 (A) P11 (B) P12 (GND)	ModBus
Voltage Divider	P7 (+) P8 (-)	The machine adapts the output voltage to the control system. It gives 20:1, 21.1:1, 30:1, 40:1, 50:1 divided outputs.
Ground	P6	For equipment safety, it is recommended to connect it to the grounding point of your system.

2) Analogue Communication

It works with dry contact structure. The automation unit sends a warning to the plasma machine to operate via the dry contact and the plasma creates a pilot arc. After the plasma machine creates a pilot arc, it sends a warning to the automation unit with the dry contact structure. When the machine starts the cutting process, it reports the plasma arc voltage for the automation interface to adjust the height.

The connector pins for signals to be used along the machine interface cable are depicted in the figure below. The table contains information about the signals. The following table should be observed when the power supply is to be connected to the CNC table or torch height controller with the machine interface cable:



Connection Name	Connector Pin	Explanation
Start (Trigger)	P5, P2	It has 24 VDC open-circuit voltage. Requires dry contact closure to activate.
Arc Approval	P1, P3	Normally open contact. When the plasma arc forms, the contact switches off. (Max : 220 VDC 2A)
Voltage Divider	P7 (+) P8 (-)	The machine adapts the output voltage to the control system. It gives 20:1, 21.1:1, 30:1, 40:1, 50:1 divided outputs.
Ground	P6	For equipment safety, it is recommended to connect it to the grounding point of your system.



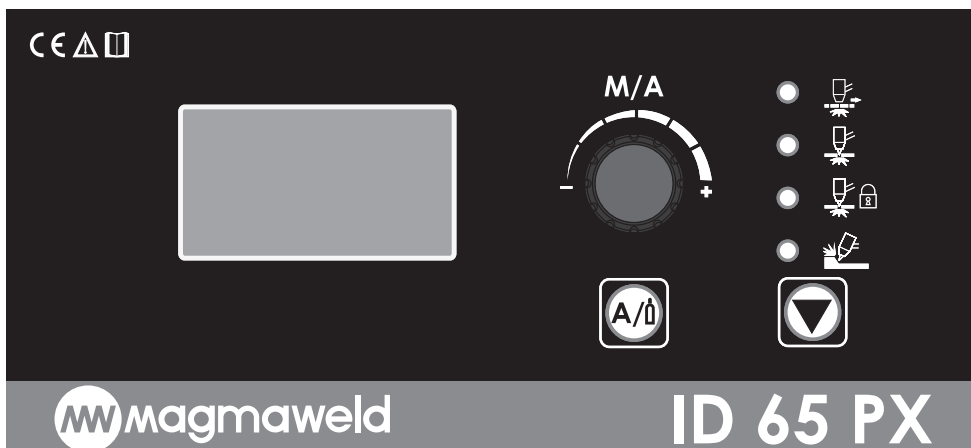
Installation of the machine interface cable and voltage divider board assembly should be carried out by an authorized service.

When the cover on the interface connector on the back of the machine is not used, it should be kept closed for keeping out dust and moisture.

✂ OPERATION

EN

3.1 User Interface



	<p>Digital Display The adjusted welding current, pressure values, pressure graph and error codes can be monitored visually on the digital screen.</p>
	<p>Cutting Modes</p> <p> Grid Cut</p> <p>It is used for cutting materials that consist of metal and gaps, such as grids. If this mode is not used for cutting materials with gaps such as grids, material cutting starts when the pilot arc starts, but the pilot arc ends at the first gap it comes across. When it arrives at the metal part after the gap, it is necessary to press and release the trigger again and start the pilot arc in order to continue cutting. Grid cutting mode was created to be used on grid type materials. A pilot arc occurs as soon as you press the torch trigger in the grid cutting and the material is cut. It cuts the pilot arc when the gap is reached, and activates the pilot arc when it arrives to the material part again. This cycle continues until you release the trigger. The cutting process ends as soon as you release the trigger.</p> <p> Normal Cutting</p> <p>As soon as you press the trigger in normal cutting mode, a pilot arc occurs and the cutting process begins. Even if you do not release the trigger when the work piece is finished, the arc goes out and you can release the trigger. If you release the trigger in the middle of the material, the arc will go out again. The pilot arc reappears when you press the trigger again to continue the process.</p> <p> Torch Trigger Lock</p> <p>Pilot arc occurs as soon as you press the trigger in this mode. You can take your hand off the trigger and continue the cutting process once you have started the cutting process. As soon as the work piece is finished (when the gap becomes visible), the pilot arc will go out and the mode will be deactivated. The mode will be activated when you press the trigger again and start cutting the work piece. This mode makes it easy to cut especially longer work pieces. Cutting can be performed without keeping the finger on the trigger constantly.</p>



Gouging

The gas flow rate will be adjusted automatically by the machine when the gouging method is selected in automatic mode. The consumables of the torch should be changed in accordance with the gouging method in this method. Pilot arc occurs as soon as you press the trigger. The cutting is carried out along the work piece and the pilot arc goes out as soon as the work piece is finished or when the gap becomes visible. You can then release your finger from the trigger.


Adjustment Pot

(M/A: Manual / Automatic Mode)

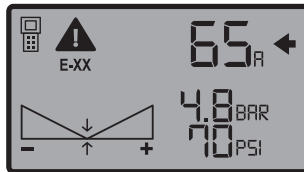
The machine starts in automatic mode when it is turned on and no gas pressure graphic is visible on the screen. The adjustment pot is only used for adjusting the current in the automatic mode. By turning the pot left and right, the desired current value is adjusted within certain tolerance ranges.


In automatic mode, the power supply adjusts the gas according to the torch type and length. It automatically adjusts the optimum gas pressure. Adjustment of gas pressure by the power supply provides both convenience and prevents users from making mistakes in gas pressure settings.

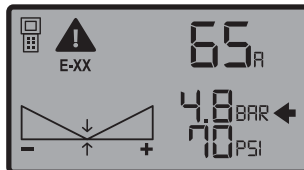
Press the adjustment pot once to switch to manual mode and the gas pressure graph is displayed on the screen. Current and gas pressure adjustments are made with the adjustment pot in the manual mode.





 Press the Current / Gas selection button and switch to the current or gas adjustment tab. When you come to the Current tab, an arrow appears next to it. To adjust the current, turn the adjustment pot to the right and left to the desired current value within certain tolerances. If the arrows are in the middle of the gas pressure graph, it is set to the optimum value suggested by the machine.

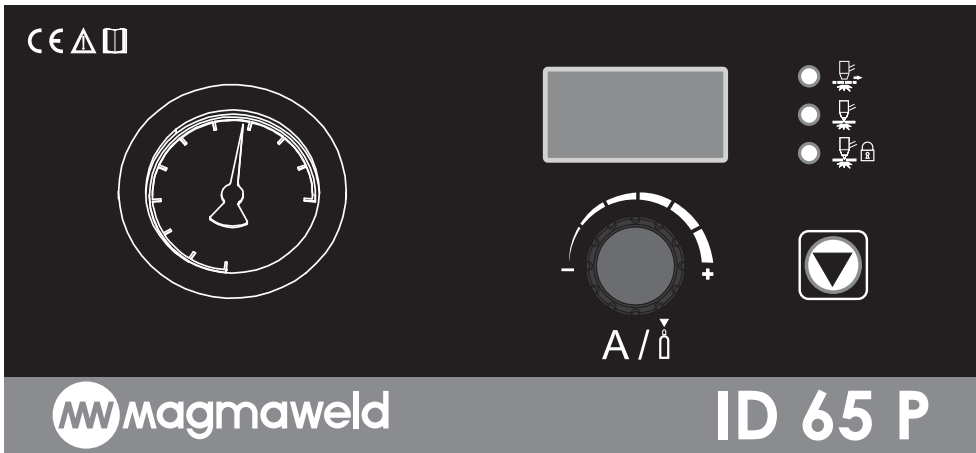
M/A








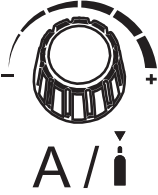



 When you press the Current / Gas selection button and switch to the gas adjustment tab, an arrow will appear next to it. The power supply automatically adjusts the gas pressure. However, the user adjusts it within a certain tolerance range. When the adjustment pot is turned to the right, the gas pressure will increase and the gas pressure graph move to the right. When the adjustment pot is turned to the left, the gas pressure will decrease and the gas pressure graph will move to the left. The most optimum gas pressure setting according to the adjusted flow is the value indicated in the middle of the graph.



	<p>Gas Pressure Chart It shows the gas pressure value graphically.</p> <p>If the graph is empty, the optimum gas pressure set by the power supply is selected. The middle of the graph shows the optimum gas pressure (4.8 BAR / 70 PSI). The gas pressure will increase when you turn the pot to the right when adjusting the gas pressure. The right area of the graph starts to fill up. The maximum gas pressure setting is 5.5 BAR (80 PSI).</p> <p>The gas pressure will decrease when you turn the pot to the left when adjusting the gas pressure. The left area of the graph starts to fill up. The minimum gas pressure setting is 4.4 BAR (64 PSI).</p>
	<p>Current / Gas Selection Button It provides switching to current and gas pressure values in manual mode. Adjustments are made in these tabs with the adjustment pot.</p>
	<p>Error Code It displays the error icon and code.</p>
	<p>Remote Connection It indicates that the remote connection is active.</p>



	<p>Digital Display The adjusted welding current, pressure values, pressure graph and error codes can be monitored visually on the digital screen.</p>
	<p>Cutting Modes</p> <p> Grid Cut</p> <p>It is used for cutting materials that consist of metal and gaps, such as grids. If this mode is not used for cutting materials with gaps such as grids, material cutting starts when the pilot arc starts, but the pilot arc ends at the first gap it comes across. When it arrives at the metal part after the gap, it is necessary to press and release the trigger again and start the pilot arc in order to continue cutting. Grid cutting mode was created to be used on grid type materials. A pilot arc occurs as soon as you press the torch trigger in the grid cutting and the material is cut. It cuts the pilot arc when the gap is reached, and activates the pilot arc when it arrives to the material part again. This cycle continues until you release the trigger. The cutting process ends as soon as you release the trigger.</p> <p> Normal Cutting</p> <p>As soon as you press the trigger in normal cutting mode, a pilot arc occurs and the cutting process begins. Even if you do not release the trigger when the work piece is finished, the arc goes out and you can release the trigger. If you release the trigger in the middle of the material, the arc will go out again. The pilot arc reappears when you press the trigger again to continue the process.</p> <p> Torch Trigger Lock</p> <p>Pilot arc occurs as soon as you press the trigger in this mode. You can take your hand off the trigger and continue the cutting process once you have started the cutting process. As soon as the work piece is finished (when the gap becomes visible), the pilot arc will go out and the mode will be deactivated. The mode will be activated when you press the trigger again and start cutting the work piece. This mode makes it easy to cut especially longer work pieces. Cutting can be performed without keeping the finger on the trigger constantly.</p>

	<p>Adjustment Pot A: Current Adjustment / i Gas Adjustment</p> <p>To adjust the current, the adjustment pot is turned left or right to set the current value to certain tolerance ranges.</p>  <p>Press the adjustment pot once to switch to gas adjustment. The machine switches to free gas mode, the pressure display  shows about 4.2 bar. When you pull the gas pressure adjustment pot on the air filter to the top and set it to the free position, you can increase / decrease the pressure by turning it to the right / left.</p>
	<p>Pressure Indicator It shows the pressure inside the torch.</p>

3.2 Torch Usage

Press the torch trigger by pushing the protective cap on the torch trigger forward when cutting process is to be started. Plasma arc will occur as soon as you press the torch trigger. The torch tip must be pushed forward slowly through the material to be cut in order to ensure smooth cutting. When the automation torch is connected, the machine detects the automation torch and waits for a trigger from the automation interface. It sends the necessary data to the automation interface. See 5.1 for detailed information on torches.



The torch trigger is active when the power supply is on. Make sure that your hand is not in the way of the cutting path.

Do not hold the work piece in your hand or point the torch to yourself or anyone else.



MAINTENANCE AND SERVICE

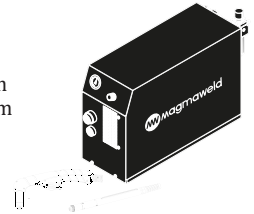
- Maintenance and repairs to the machine must be carried out by a qualified personnel. Our company will not be responsible for any accidents that may occur by unauthorized interventions.
- Parts that will be used during repair can be obtained from our authorized services. The use of original spare parts will extend the life of your machine and prevent performance losses.
- Always contact the Magmaweld or an authorized service designated by the Magmaweld.
- Never make interventions yourself. In this case the manufacturer warranty is no longer valid.
- Always comply with the applicable safety regulations during maintenance and repair.
- Before performing any work on the machine for repair, disconnect the machine's power plug from the power supply and wait for 10 seconds for the capacitors to discharge.

4.1 Maintenance



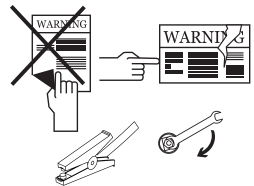
Daily Maintenance

- The consumables on the torch should be checked regularly and replace if worn or damaged. Make sure that these materials are original products for long-term use and high performance.



Every 3 Months

- Do not remove the warning labels on the device. Replace the worn/ torn labels with the new ones. Labels can be obtained from the authorized service.
- Check your clamps and cables. Pay attention to the connections and the durability of the parts.
- Replace damaged/defective parts with new ones.
Never make additions to/repair the cables.
- Ensure adequate space for ventilation.



Every 6 Months

- Clean and tighten fasteners such as bolts and nuts. Check the workpiece clamp and cables. Open the side covers of the machine and clean with low pressure dry air. Do not apply compressed air to electronic components at close distance.
- Make sure the air filter is clean. If it is dirty, replace it with a new one.



NOTE: The above mentioned periods are the maximum ones that should be applied if no problems are encountered in your device. Depending on the work load and contamination of your work environment, you can repeat the above processes more frequently.



Never operate the plasma cutting machine when covers are open.

4.2 Troubleshooting

EN

The following tables contain possible errors to be encountered and their solutions.

Failure	Reason	Solution
Machine is not operating	<ul style="list-style-type: none"> There is a problem with the machine's electrical connection 	<ul style="list-style-type: none"> Make sure the machine is connected to electricity If the problem continues, contact the authorized service
	<ul style="list-style-type: none"> Grid connections are incorrect 	<ul style="list-style-type: none"> On / off switch not working properly If the problem continues, contact the authorized service
	<ul style="list-style-type: none"> The mains supply fuse is faulty or the mains cable is damaged 	<ul style="list-style-type: none"> Check mains supply fuses, mains cable and plug If the problem continues, contact the authorized service
	<ul style="list-style-type: none"> On/off switch not working properly 	<ul style="list-style-type: none"> Check the on / off switch If the problem continues, contact the authorized service
The machine is working but it doesn't cut	<ul style="list-style-type: none"> Air pressure and flow may not be suitable 	<ul style="list-style-type: none"> Check the air pressure and air quality, air pressure and make sure, that the flow rate is appropriate, the air is dry and clean. If the problem continues, contact the authorized service
	<ul style="list-style-type: none"> Mains voltage may not be appropriate 	<ul style="list-style-type: none"> Make sure that the mains voltage to the machine is appropriate. If the problem continues, contact the authorized service
	<ul style="list-style-type: none"> The grounding pliers may not be attached to the workpiece or machine 	<ul style="list-style-type: none"> Make sure that the grounding pliers are connected to the workpiece and the machine. Clean the area where the grounding pliers contact the workpiece Make sure the grounding pliers are not damaged If the problem continues, contact the authorized service
	<ul style="list-style-type: none"> Torch and / or consumables may be worn or damaged 	<ul style="list-style-type: none"> Make sure the torch and / or consumables are not worn or damaged, replace if necessary. If the problem continues, contact the authorized service
	<ul style="list-style-type: none"> Arc does not transfer to workpiece 	<ul style="list-style-type: none"> Make sure the workpiece surface is unpainted and clean Make sure the torch is at the proper distance from the workpiece If the problem continues, contact the authorized service

EN

Failure	Reason	Solution
The machine is working but it doesn't cut well	<ul style="list-style-type: none"> Air pressure and flow may not be suitable, air filter elements may be dirty 	<ul style="list-style-type: none"> Check the air pressure and air quality. Make sure that the air pressure and flow rate are appropriate, the air is dry and clean If the problem continues, contact the authorized service
	<ul style="list-style-type: none"> Torch and/or consumables may be worn or damaged 	<ul style="list-style-type: none"> Make sure the torch and / or consumables are not worn or damaged, replace if necessary If the problem continues, contact the authorized service
	<ul style="list-style-type: none"> Torch and/or consumables may not be correctly selected or installed 	<ul style="list-style-type: none"> Make sure torch and / or consumables are used and installed correctly If the problem continues, contact the authorized service
	<ul style="list-style-type: none"> The cut mode may be incorrectly selected 	<ul style="list-style-type: none"> Make sure the cut mode is correct If the problem continues, contact the authorized service
	<ul style="list-style-type: none"> The amperage value current used may be incorrectly selected 	<ul style="list-style-type: none"> Current value should be selected suitable for the material to be cut (material thickness and type) If the problem continues, contact the authorized service
	<ul style="list-style-type: none"> The cutting speed and thickness suitable for the performance of the machine may have been exceeded 	<ul style="list-style-type: none"> Make sure the cutting speed and cutting thickness are appropriate If the problem continues, contact the authorized service
	<ul style="list-style-type: none"> The height or angle of the torch to the workpiece may be incorrect 	<ul style="list-style-type: none"> Make sure the height and angle of the torch to the workpiece are correct If the problem continues, contact the authorized service
	<ul style="list-style-type: none"> The cutting direction may be incorrect 	<ul style="list-style-type: none"> Make sure that the cutting direction is correct If the problem continues, contact the authorized service

4.3 Error Codes

The list below contains all the error codes of the welding machines. Consider the error codes related with your machine.

Error Code	Error	Cause	Solution
E01	Thermal Protection (Primary)	<ul style="list-style-type: none"> The uptime of your machine may have been exceeded 	<ul style="list-style-type: none"> Allow the machine to cool down by waiting for a while. If the fault disappears, try to use the machine at lower amperage values If the problem continues, contact the authorized service
		<ul style="list-style-type: none"> Fan may not be working 	<ul style="list-style-type: none"> Check visually whether the fan is working or not If the problem continues, contact the authorized service
		<ul style="list-style-type: none"> The front of the air inlet-outlet ducts may be blocked 	<ul style="list-style-type: none"> Open the front of the air ducts If the problem continues, contact the authorized service
		<ul style="list-style-type: none"> The machine working environment may be too hot 	<ul style="list-style-type: none"> Make sure that the working environment of the machine is not excessively hot or stuffy If the problem continues, contact the authorized service
E02	Mains Voltage Low	<ul style="list-style-type: none"> Mains voltage may have decreased 	<ul style="list-style-type: none"> Check the mains connection cables and the voltage. Make sure the correct voltage input is provided. If the mains voltage is normal, contact the authorized service
E03	Mains Voltage High	<ul style="list-style-type: none"> Mains voltage may have increased 	<ul style="list-style-type: none"> Check the mains connection cables and the voltage. Make sure the correct voltage input is provided. If the mains voltage is normal, contact the authorized service
E04	Current / Voltage Reading Error	<ul style="list-style-type: none"> There may be a hardware error 	<ul style="list-style-type: none"> Contact the authorized service
E05	Temperature Sensor Reading Error	<ul style="list-style-type: none"> There may be a hardware error 	<ul style="list-style-type: none"> Contact the authorized service
E06	Water Cooling Unit Error	<ul style="list-style-type: none"> There may be an error in the water cooling unit 	<ul style="list-style-type: none"> Check water cooling unit connector and torch inlets/outlets Make sure there is water circulation If the problem continues, contact the authorized service
E07	System Error	<ul style="list-style-type: none"> There may be a hardware error 	<ul style="list-style-type: none"> Contact the authorized service
E08			
E09			
E10	Torch Connection Error	<ul style="list-style-type: none"> The torch or torch connections may be faulty 	<ul style="list-style-type: none"> Check torch and torch connections If the problem continues, contact the authorized service
E11	System Error	<ul style="list-style-type: none"> There may be a hardware error 	<ul style="list-style-type: none"> Contact the authorized service
E12			
E13	Wire Feeder Error	<ul style="list-style-type: none"> There may be an error in wire feeding 	<ul style="list-style-type: none"> Check wire basket, reel / reel press and torch connections If the problem continues, contact the authorized service

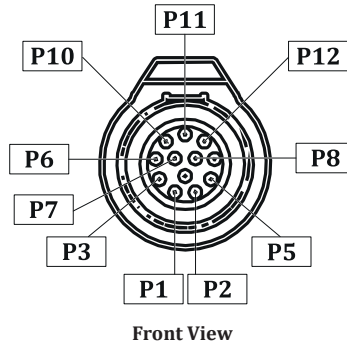
Error Code	Error	Cause	Solution
E14	System Error	<ul style="list-style-type: none"> There may be a hardware error 	<ul style="list-style-type: none"> Contact the authorized service
E15	Remote Control Communication Error	<ul style="list-style-type: none"> There may be an error in the remote control connections 	<ul style="list-style-type: none"> Check remote control connections If the problem continues, contact the authorized service
E16	System Error	<ul style="list-style-type: none"> There may be a hardware error 	<ul style="list-style-type: none"> Contact the authorized service
E17			
E18			
E19	Thermal Protection (Secondary)	<ul style="list-style-type: none"> The uptime of your machine may have been exceeded 	<ul style="list-style-type: none"> Allow the machine to cool down by waiting for a while. If the fault disappears, try to use the machine at lower amperage values If the problem continues, contact the authorized service
		<ul style="list-style-type: none"> Fan may not be working 	<ul style="list-style-type: none"> Visually check if the fan is working If the problem continues, contact the authorized service
		<ul style="list-style-type: none"> The front of the air inlet - outlet ducts may be blocked 	<ul style="list-style-type: none"> Unblock the front of the air ducts If the problem continues, contact the authorized service
		<ul style="list-style-type: none"> The machine working environment may be too hot or stuffy 	<ul style="list-style-type: none"> Make sure that the working environment of the machine is not excessively hot or stuffy If the problem continues, contact the authorized service
E20	System Error	<ul style="list-style-type: none"> There may be a hardware error 	<ul style="list-style-type: none"> Contact the authorized service
E21			
E22			
E23			
E26	Inlet Pressure Low	<ul style="list-style-type: none"> Inlet pressure may be low 	<ul style="list-style-type: none"> Check your air / gas connections, make sure that the inlet pressure is appropriate. If the inlet pressure is normal, contact the authorized service
E27	Torch Shield Not Installed	<ul style="list-style-type: none"> Torch shield may not be installed or properly fitted 	<ul style="list-style-type: none"> Make sure that the torch shield is correctly fitted to the machine If the problem continues, contact the authorized service
E28	System Error	<ul style="list-style-type: none"> There may be a hardware error 	<ul style="list-style-type: none"> Contact the authorized service
E29	DC Busbar Voltage Low	<ul style="list-style-type: none"> Mains voltage may have decreased 	<ul style="list-style-type: none"> Check the mains connection cables and the voltage. Make sure the correct voltage input is provided. If the mains voltage is normal, contact the authorized service
E30	DC Busbar Voltage High	<ul style="list-style-type: none"> Mains voltage may have increased 	<ul style="list-style-type: none"> Check the mains connection cables and the voltage. Make sure the correct voltage input is provided. If the mains voltage is normal, contact the authorized service
E31	System Error	<ul style="list-style-type: none"> There may be a hardware error 	<ul style="list-style-type: none"> Contact the authorized service



ANNEX

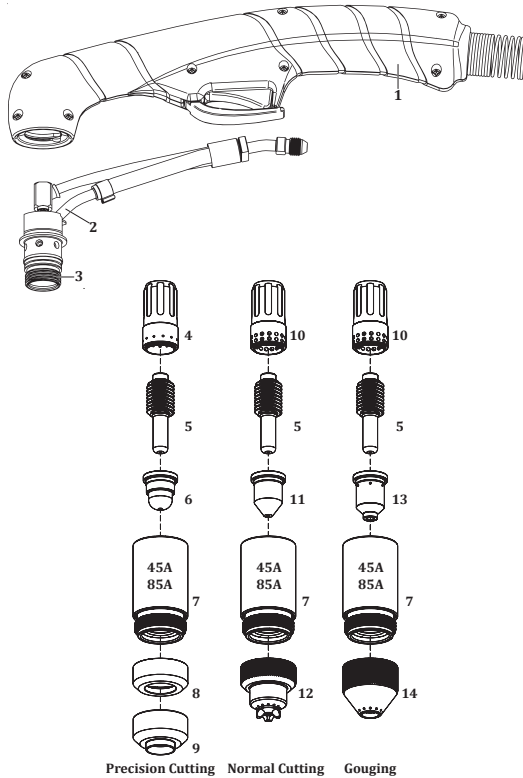
EN

5.1 Plasma Cutting Automation Connection Diagram



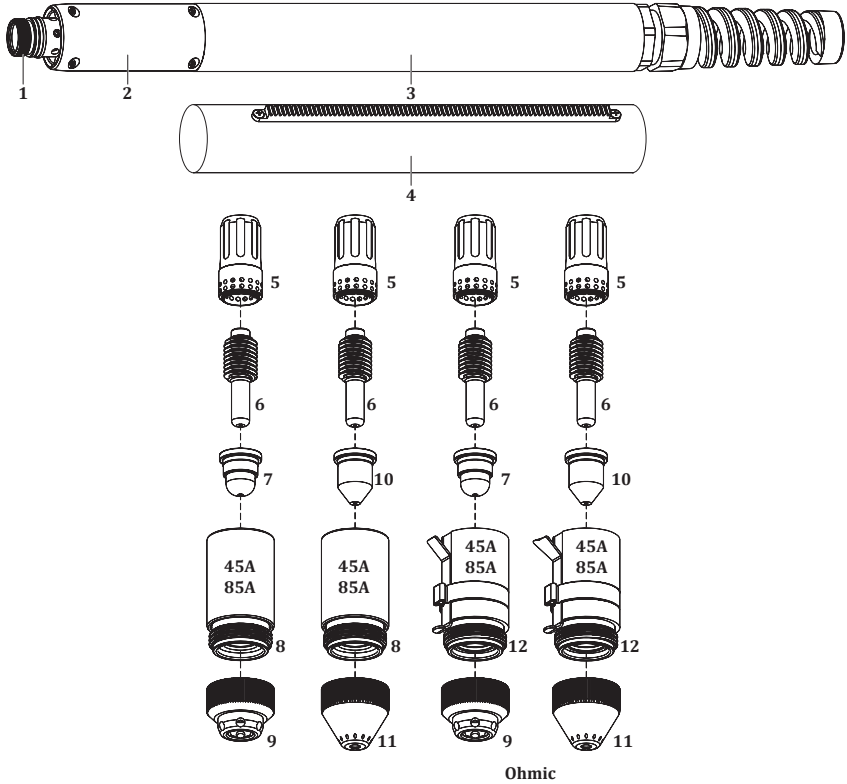
PIN NO	CABLE	CONNECTION NAME	AÇIKLAMA
1	Yellow	Arc Approval	Normally open contact. When the plasma arc forms, the contact switches off. (Max.: 220 VDC 2A)
3	Brown		
2	Green	Start (Trigger)	It has 24 VDC open-circuit voltage. Requires dry contact closure to activate.
5	White		
6	Shield	Ground	For equipment safety, it is recommended to connect it to the grounding point of your system.
7	Red	Vo (+)	The machine adapts the output voltage to the control system. It gives 20:1, 21.1:1, 30:1, 40:1, 50:1 divided outputs.
8	Black	Vo (-)	
10	Grey	ModBus A	ModBUS-RTU / 19200bps / 8N1 (This feature is only available for the PX model.)
11	Pink	ModBus B	
12	Blue	ModBus GND	

5.2 Manual Torch Consumables and Spare Parts



NO	DEFINITION	MATERIAL CODE
1	Torch Handle	Y542000019
2	Torch Head	Y542000016
3	O-Ring	Y542000018
4	Swirl Ring	7042220947
5	Electrode	7042E00001
6	Nozzle	7042220930
7	Retaining Cap	7042220854
8	Shield	7042220955
9	Shield	7042220931
10	Swirl Ring (Standard)	7042220857
11	Nozzle	7042220819
12	Shield	7042220818
13	Nozzle	70422208NG
14	Shield	70422209SG

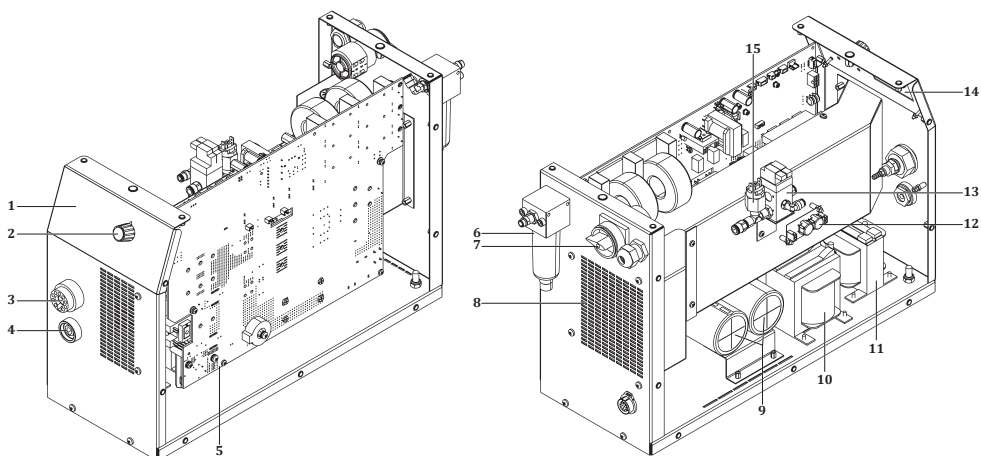
5.3 Mechanized Torch Consumables and Spare Parts



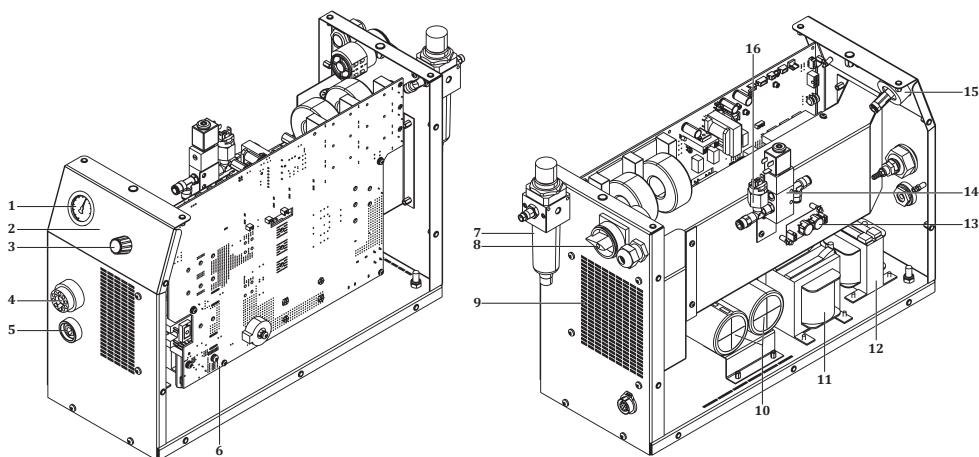
NO	DEFINITION	MATERIAL CODE
1	O-Ring	Y542000018
2	Torch Head	Y542000017
3	Torch Positioner (Standard)	Y542000020
4	Torch Positioner	7942000010
5	Swirl Ring (Standard)	7042220857
6	Electrode	7042E00001
7	Nozzle	7042220930
8	Retaining Cap	7042220854
9	Shield	7042220948
10	Nozzle	7042220819
11	Shield	7042220817
12	Nozzle	7042220953

5.4 Plasma Cutting Machine Spare Parts List

ID 65 PX



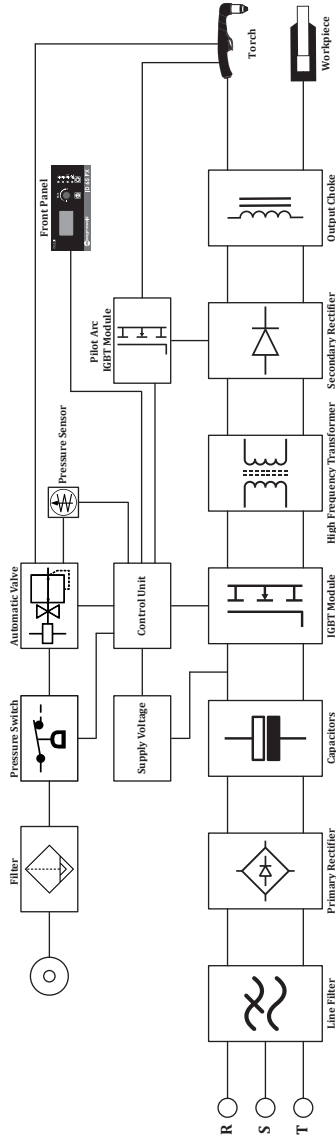
NO	DEFINITION	ID 65 PX
1	Membrane Label	K109900170
2	Potency Button	A229500001
3	Plasma Torch Connector	K309000033
4	Welding Socket	A377900103
5	Electronic Card E230A-1 V2.3	K405000330
6	Filter	A256001242
7	Pacco Switch	A308000017
8	Fan	A250001141
9	Electrolytic Capacitor	A420200016
10	Power Transformer	A366000034
11	Choke Coil	A421050007
12	Electronic Card E230A-4 V1.0	K405000327
13	Valve	A253003050
14	Electronic Card E230A-2 V1.3	K405000329
15	Pressure Switch	A253001150

ID 65 P

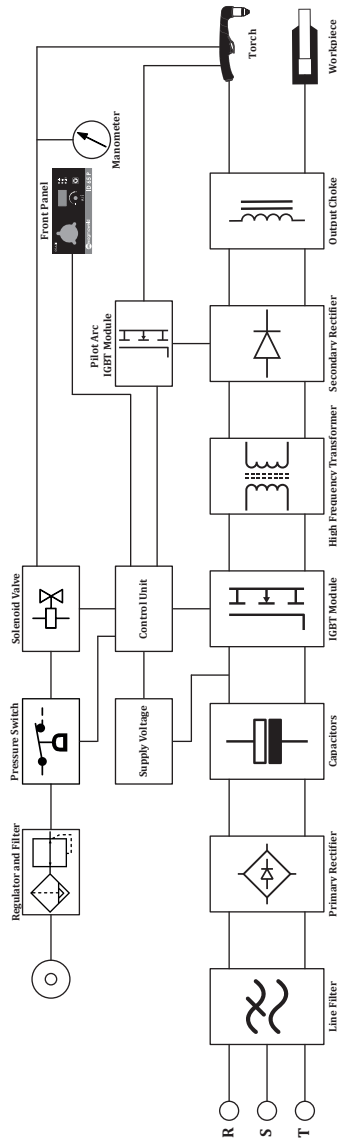
NO	DEFINITION	ID 65 P
1	Manometer	A827000017
2	Membrane Label	K109900171
3	Potency Button	A229500001
4	Plasma Torch Connector	K309000033
5	Welding Socket	A377900103
6	Electronic Card E230A-1 V2.3	K405000330
7	Filter	A256001240
8	Pacco Switch	A308000017
9	Fan	A250001141
10	Electrolytic Capacitor	A420200016
11	Power Transformer	A366000034
12	Choke Coil	A421050007
13	Electronic Card E230A-4 V1.0	K405000327
14	Valve	A253001151
15	Electronic Card E230A-1 V1.1	K405000328
16	Pressure Switch	A253001150

5.5 Connection Diagrams

Block Diagram ID 65 PX



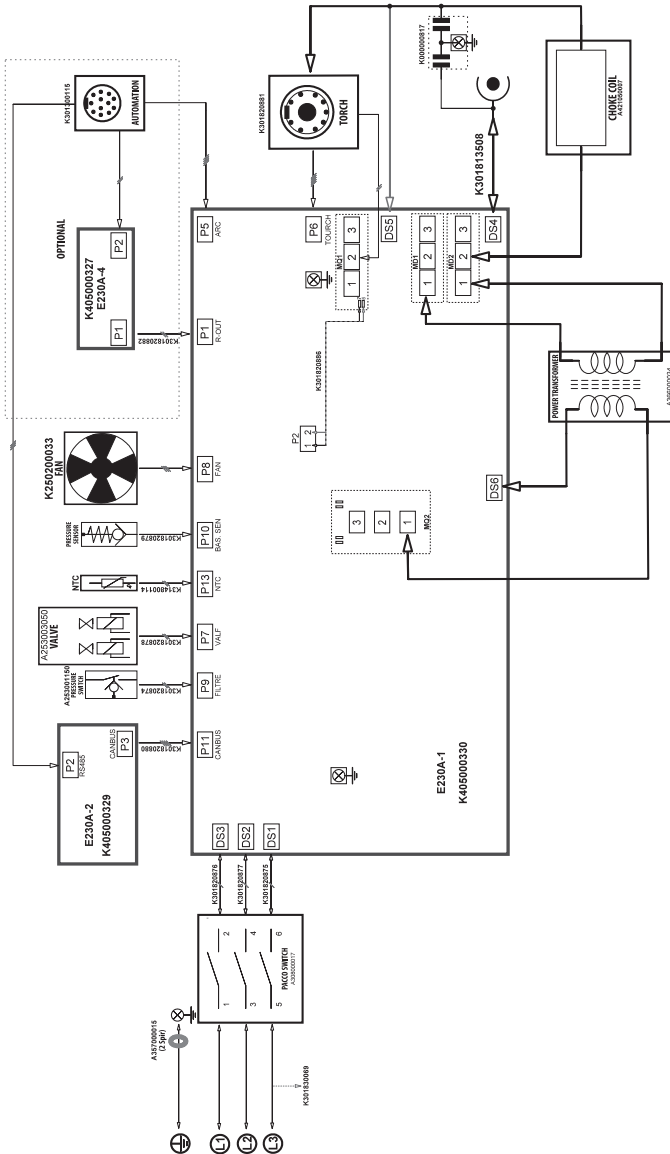
ID 65 P



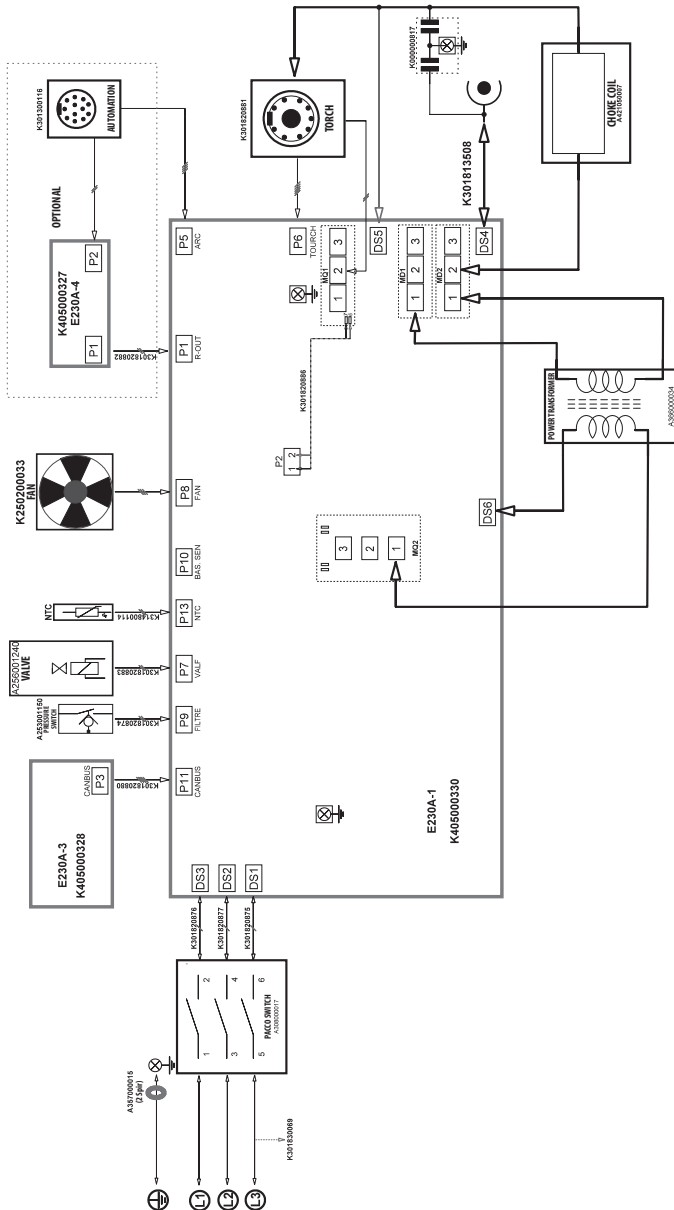
EN

Circuit Diagrams

ID 65 PX



ID 65 P



PRODUCT INFORMATION**Model****Serial Number****MANUFACTURER****Name**

MAGMA MEKATRONİK MAKİNE SANAYİ VE TİCARET A.Ş.

Address

Organize Sanayi Bölgesi 5. Kısım MANİSA

Phone / E-mail

+90 236 226 27 00 / info@magmaweld.com

PURCHASE INFORMATION**Dealer Name****City / Country****Phone / E-mail****Purchase Date****CUSTOMER INFORMATION****Company Name****City / Country****Phone / E-mail****Contact Name****SERVICE INFORMATION (if applicable)****Company Name****Technician's Name****Commissioning Date**
(Warranty Start Date)

Please visit our web site www.magmaweld.com/warranty-terms/wt for warranty terms.

 **SOMMAIRE**

	CONSIGNES DE SÉCURITÉ	44
1	SPÉCIFICATIONS TECHNIQUES	
1.1	Explications Générales	50
1.2	Composants	50
1.3	Étiquette du Produit	52
1.4	Caractéristiques Techniques	53
1.5	Accessories	53
2	INSTALLATION	
2.1	Considérations Relatives à la Réception du Poste de Soudage	54
2.2	Conseils d'Installation et de Fonctionnement	54
2.3	Branchements Électriques	55
2.4	Branchement au Réseau	55
2.5	Connexions pour La Découpe Plasma	55
2.5.1	Connexion de La Bouteille de Gaz	55
2.5.2	Connexions de La Pince de Mise À La Terre	55
2.5.3	Connexions de La Torche	56
2.6	Mise En Place Des Consommables	56
2.7	Arc Pilote	57
2.8	Télécommande	57
3	UTILISATION	
3.1	Interface Utilisateur	60
3.2	Utilisation de La Torche	64
4	MAINTENANCE ET DÉFAILLANCES	
4.1	Maintenance	65
4.2	Dépannage	66
4.3	Codes d'incident	68
5	ANNEXE	
5.1	Schéma de Connexion de l'Automatisation de La Découpe Plasma	71
5.2	Consommables et Pièces de Rechange de La Torche Manuelle	72
5.3	Consommables et Pièces de Rechange de La Torche Mécanisée	73
5.4	Liste Des Pièces de Rechange de La Machine de Découpe Plasma	74
5.5	Schémas de Connexion	76

✓ CONSIGNES DE SÉCURITÉ

Respectez toutes les consignes de sécurité du manuel!

Informations sur la Sécurité



- Les pictogrammes de sécurité utilisés dans le présent manuel sont destinés à identifier les dangers potentiels.
- Si un pictogramme de sécurité apparaît dans le présent manuel, cela signifie qu'il existe un risque de blessure et que les dangers éventuels doivent être écartés en lisant attentivement les explications fournies.
- Le propriétaire de la machine est responsable d'empêcher les personnes non autorisées d'accéder à l'équipement.
- Toute personne appelée à travailler avec cette machine doit posséder l'expérience en soudage / coupage ou avoir terminé avec succès la formation requise, lire le présent manuel d'utilisation avant de travailler et se conformer à tout moment aux consignes de sécurité.

Pictogrammes de Sécurité



ATTENTION

Indique une situation potentiellement dangereuse qui pourrait causer des blessures ou des dommages. Le fait de ne pas prendre de précautions peut causer des blessures ou des pertes ou dommages matériels.



REMARQUE

Indique des informations et des avertissements concernant l'utilisation de la machine.



DANGER

Indique une situation imminente dangereuse qui, si elle n'est pas évitée, entraînera une blessure grave ou mortelle.

Prise de connaissance des consignes de sécurité



- Veuillez lire attentivement le présent manuel d'utilisation, les étiquettes et les consignes de sécurité se trouvant sur la machine.
- Assurez-vous que les étiquettes d'avertissement sur la machine sont en bon état. Remplacez les étiquettes manquantes ou endommagées.
- Veuillez prendre connaissance des informations concernant l'utilisation et les procédés de vérification de votre machine.
- Utilisez votre machine dans des environnements de travail appropriés.
- Des modifications inappropriées à votre machine peuvent avoir un impact négatif sur la sécurité de fonctionnement et la durée de vie de votre machine.
- Le fabricant ne pourra pas être tenu responsable des conséquences du fonctionnement de l'appareil en dehors des conditions préconisées.

L'électrisation peut entraîner la mort



Veuillez à ce que les procédures d'installation soient conformes aux normes nationales en matière d'électricité et aux autres règlements pertinents. L'installation de la machine doit être effectuée par des personnes autorisées.

- Porter un tablier de travail et des gants de protection secs offrant une bonne isolation. Ne jamais utiliser des gants et des tabliers de travail mouillés ou endommagés.
- Porter des vêtements de protection ignifuges contre le risque de brûlure. Les vêtements utilisés par l'opérateur doivent être protégés contre les étincelles, les projections et le rayonnement d'arc.
- Ne travaillez pas seul. Soyez sûr d'avoir quelqu'un qui peut vous aider en cas de danger dans votre lieu de travail.
- Ne touchez pas l'électrode avec la main nue. Ne laissez pas être en contact la pince d'électrode ou l'électrode avec quelqu'un ou avec un objet alimentaire.
- Ne touchez aucun composant électrique.
- Ne touchez pas l'électrode si vous êtes en contact avec l'électrode reliée à la surface de travail, au plancher ou à une autre machine.
- Vous pouvez vous protéger d'une électrisation potentielle en vous isolant de la surface de travail et du sol. Utilisez un matériau isolant non inflammable, électriquement isolant, sec et non endommagé, suffisamment grand pour couper le contact de l'opérateur avec la surface de travail.
- Ne connectez pas plus d'une électrode au porte-électrode.
- Placez bien la pince de masse métal-sur-métal sur votre objet de travail ou sur la table à souder.

- Vérifiez la torche avant d'utiliser la machine. Assurez-vous que la torche et ses câbles sont en bon état. Assurez-vous de remplacer une torche endommagée ou usée.
- Ne pas laisser toucher les deux pinces de masse connectés à deux différents postes. Ceci est dangereux vu qu'il y aura deux tensions en circuit ouvert.
- Gardez le poste éteint et déconnecter les câbles de soudage quand vous vous ne travaillez pas.
- Avant de réparer la machine, retirez toutes les connexions d'alimentation et / ou les connecteurs ou éteignez la machine.
- Soyez prudent lorsque vous utilisez un long câble secteur.
- Soyez sur que toutes les connexions sont bien serrées, propres et seches.
- Soyez sur que les câbles sont secs, sans graisses et protégés du métal chaud et des étincelles.
- Fil dénudé peut tuer. Contrôler fréquemment vos câbles de soudage. S'il y a des câbles endommagés ou non isolés, réparer ou échanger immédiatement les câbles.
- Isoler le câble de masse quand il n'est pas connecté à un objet de travail.
- Assurez-vous que la mise à la terre de la ligne d'alimentation est correctement connectée.
- N'utilisez pas le courant alternatif (AC) dans des endroits humides, mouillés ou confinés. Eviter également les endroits où il y aura un risque de chute.
- Le courant alternatif doit être utilisé uniquement s'il est nécessaire pour le procès de soudage.
- Si le courant alternatif est obligatoire pour votre travail, utilisez (si existe) votre télécommande pour régler votre poste.

Les précautions additionnelles sont nécessaires si une des conditions hasardeuses ci-dessous existe :

- Dans des endroits humides ou si vos habilles sont mouillés,
- Sur les structures métalliques comme les escaliers, les grilles ou les échafauds,
- Dans des positions comme assises, à genoux ou allongées,
- Quand il ya un grand risque d'accident ou d'un contact inévitable avec l'objet de travail ou la masse.

Pour les conditions mentionnées ci-dessus, utilisez les équipements ci-dessous dans l'ordre de présentation :

- Un poste MIG semi-automatique en courant continu (DC),
- Un poste à souder MMA en courant continu (DC),
- Un poste en courant continue ou alternatif avec la tension réduit à circuit ouvert (VRD).

Procédures à suivre en cas de l'électrocution



- Arrêtez le courant électrique.
- Utilisez des matériaux non conductibles comme le bois sec pour couper le contact de la victime avec les câbles ou les endroits alimentés.
- Appelez les services de secours.

Si vous avez suivi une formation aux premiers secours ;

- Si la victime ne respire plus, après avoir coupé le contact de la victime avec le courant, effectuez immédiatement la réanimation cardiorespiratoire (RCP). Continuez la RCP jusqu'au moment où la victime respire de nouveau ou les secours arrivent,
- Utilisez un défibrillateur automatique (DEA) selon les instructions indiquées dessus.
- Traiter une brûlure électrique comme une brûlure thermique. Appliquez des compresses stériles et froides.

Les pièces mobiles peuvent causer des blessures



- Éloignez-vous des objets en mouvement.
- Gardez tous les capots de protection tels que les portes, les panneaux, les portes des machines et des appareils fermés et verrouillés.
- Portez des chaussures à coque métallique à protection contre le risque de chute d'objets lourds.

La fumée et les gaz peuvent être nocifs pour votre santé



L'inhalation prolongée de la fumée et du gaz générés par le soudage / coupage et le découpage est très nocive pour la santé.

- La sensation de brûlure et l'irritation au niveau des yeux, des muqueuses nasales et des voies respiratoires sont des symptômes d'une ventilation inadéquate. Dans ce cas, veuillez augmenter immédiatement le niveau de ventilation de la zone de travail et arrêter le processus de soudage / coupage si le problème persiste.
- Créez un système d'aération naturelle ou artificielle dans la zone de travail.
- Utilisez un système d'absorption de fumée approprié à l'endroit où le soudage / coupage et le découpage sont effectués. Si nécessaire, installez un système adéquat pour éliminer les fumées et les gaz accumulés dans l'ensemble de l'atelier. Utilisez un système de filtration approprié pour éviter de polluer l'environnement lors du rejet.
- Si vous travaillez dans des espaces étroits ou confinés, ou que vous soudez du plomb, du béryllium, du cadmium, du zinc, des matériaux revêtus ou peints, utilisez une protection respiratoire autonome en plus des précautions susmentionnées.

- Si les bouteilles de gaz sont groupées dans une zone séparée, assurez-y une bonne ventilation, gardez les soupapes principales fermées lorsque les bouteilles de gaz ne sont pas utilisées, et surveillez les fuites de gaz éventuelles.
- Les gaz protecteurs tels que l'argon étant plus denses que l'air, ils peuvent être inhalés à la place de l'air s'ils sont utilisés à l'intérieur. Cela présente également un risque pour votre santé.
- Ne soudage / coupage pas dans des environnements contenant des vapeurs d'hydrocarbures chlorés libérées lors de la lubrification ou de la coloration.
- Certaines pièces soudées / coupées nécessitent une ventilation spéciale. Aération spéciale Les règles de sécurité des produits qui le nécessitent doivent être lues attentivement. Le masque à gaz doit être porté Dans de tels cas, un masque à gaz approprié doit être porté.

La lumière émise par l'arc peut endommager vos yeux et votre peau



- Pour protéger vos yeux et votre visage, utilisez un masque et un écran de protection en verre appropriés (4 à 13 selon la norme EN 379).
- Protégez les autres parties nues de votre corps (bras, cou, oreilles, etc.) contre ces rayons à l'aide des vêtements de protection adéquats.
- Munissez votre plan de travail d'écrans anti-flammes au niveau des yeux et accrochez des panneaux d'avertissement afin que les gens autour de vous ne soient pas exposés aux rayons de l'arc et métaux chauds.
- Cette machine n'est pas destinée à chauffer des tuyaux gelés. Ce procédé provoquera une explosion, un incendie ou des dommages à votre installation.

Les étincelles et les protections de pièces peuvent blesser vos yeux



- Les procédés tels que le soudage / coupage, le meulage, le brossage de la surface peuvent générer des étincelles et des projections de particules métalliques. Portez des lunettes de protection homologuées munies de bordures de protection sous le masque de soudeur afin de prévenir les blessures éventuelles.

Les surfaces chaudes peuvent causer de brûlures graves



- Ne touchez pas les pièces chaudes à mains nues.
- Avant d'intervenir sur les pièces de la machine, attendez un certain temps pour les laisser refroidir.
- Si vous devez manipuler les pièces chaudes, portez des outils appropriés, gants de soudage / coupage à isolation thermique et vêtements résistant au feu.

Le bruit peut altérer votre capacité d'ouïe



- Le bruit créé par certains équipements et processus peut altérer l'ouïe.
- Si le niveau de bruit est élevé, portez des protège-oreilles agréés.

Le fil de soudage peut causer des blessures



- Ne maintenez pas la torche contre une partie du corps, d'autres personnes ou tout autre métal lors du dévidage du fil de soudage.
- Lors de l'ouverture manuelle du fil de soudage à partir de la bobine - en particulier pour les diamètres minces - le fil peut être éjecté de votre main comme un ressort, ce qui pourrait vous blesser ou blesser des tiers, protégez particulièrement vos yeux et votre visage lors de cette manipulation.

Le procédé de soudage / coupage peut entraîner des incendies et des explosions



- Ne jamais souder à proximité de matériaux inflammables. Un incendie ou des explosions peuvent se produire.
- Enlevez ces matériaux de l'environnement avant de commencer à soudage / coupage ou couvrez-les avec des couvertures protectrices pour éviter les brûlures.
- Les règles nationales et internationales spécifiques s'appliquent dans ces domaines.

- Ne procédez à aucune opération de soudage / coupage e ni de découpage sur des tubes ou des tuyaux entièrement fermés.
- Avant de soudage / coupage des tubes et des conteneurs fermés, ouvrez-les, videz-les complètement, ventilez-les et nettoyez-les. Prenez toutes les précautions nécessaires lors d'un soudage / coupage dans ces types d'endroits.
- Ne soudez pas les tubes ou les tuyaux destinés aux substances susceptibles de provoquer une explosion, un incendie ou d'autres réactions, même s'ils sont vides.
- L'équipement de soudage / coupage chauffe. Par conséquent, ne le placez pas sur des surfaces qui peuvent facilement être brûlées ou endommagées !

- Les étincelles générées lors du soudage peuvent provoquer un incendie. Par conséquent, gardez un extincteur, de l'eau, du sable et autres matériaux à portée de la main.
- Utilisez des clapets anti-retour, régulateurs de gaz et vannes sur les circuits de gaz inflammables, explosifs et pressurisés. Assurez-vous de leurs vérifications périodiques soient effectuées et qu'elles fonctionnent correctement.

La maintenance des machines et appareils par des personnes non autorisées peut causer des blessures



- Les équipements électriques ne doivent pas être réparés par des personnes non autorisées. Les erreurs éventuelles peuvent entraîner des blessures graves, voire mortelles, lors de l'utilisation.
- Les éléments du circuit de gaz fonctionnent sous pression; l'intervention de personnes non autorisées peut causer des explosions et des blessures graves pour les utilisateurs.
- Il est recommandé d'effectuer la maintenance technique de la machine et de ses unités auxiliaires au moins une fois par an.

Soudage / Coupage dans des endroits confinés



- Effectuez les opérations de soudage / coupage et de découpage dans des espaces confinés et de petits volumes et en compagnie d'une autre personne.
- Évitez autant que possible le soudage / coupage et le découpage dans des endroits fermés.

Le fait de ne pas prendre les précautions nécessaires lors du transport peut causer des accidents



- Prenez toutes les précautions nécessaires pour le transport de la machine. Les zones à transporter; les équipements à utiliser pour le transport et les conditions physiques et la santé de la personne chargée de la manutention doivent être conformes au processus de transport.
- Certaines machines étant extrêmement lourdes, il est important de veiller à ce que les précautions nécessaires en matière de sécurité environnementale soient prises pour la manutention.
- Si la machine de soudage doit être utilisée sur une plateforme, la capacité de charge de la plateforme doit être vérifiée.
- En cas d'utilisation d'un véhicule (chariot, chariot élévateur à fourche, etc.) lors du transport de la machine, assurez-vous que le véhicule et les accessoires d'élingage et d'arrimage (élingues, sangles d'arrimage, boulons, écrous, roues, etc.) reliant la machine au véhicule sont intacts.
- S'il s'agit d'un transport manuel, assurez-vous que les accessoires d'élingage et d'arrimage (élingues, sangles d'arrimage, etc.) et leurs connexions soient bien fixées.
- Afin de garantir les conditions de transport nécessaires, consultez les règles de l'Organisation Internationale du Travail sur le poids du transport et les réglementations en vigueur dans votre pays.
- Utilisez toujours des poignées ou des anneaux pour le déplacement du bloc d'alimentation. Ne tirez jamais sur les torches, les câbles ou les tuyaux. Transportez toujours les bouteilles de gaz séparément.
- Avant de transporter le matériel de soudage / coupage et de découpe, débranchez toutes les connexions intermédiaires, puis soulevez et transportez les petites pièces séparément en les tenant par leurs poignées, et les grandes à l'aide d'un équipement de manutention approprié tel que des anneaux de transport ou des chariots élévateurs.

La chute de pièces peut causer des blessures



Ne pas positionner correctement l'alimentation électrique ou tout autre équipement peut causer des blessures graves et des dommages matériels.

- Installer votre machine sur des sols et des plateformes avec une inclinaison maximale de 10° pour éviter les chutes et les renversements. Préférez les zones immobiles, mais vastes, facilement ventilées et sans poussière, qui ne génèrent pas le flux de matériaux. Disposez les câbles et tuyaux de telle manière que personne ne puisse les piétiner ou trébucher dessus. Pour éviter que les bouteilles de gaz ne se renversent, fixez-les sur la plate-forme pour les machines équipées d'une plate-forme à gaz adaptée à la bouteille et sur le mur à l'aide d'une chaîne pour les installations fixes afin d'éviter tout basculement.
- Les opérateurs doivent facilement et rapidement accéder aux paramètres de commande et connexions de la machine.

Une utilisation excessive provoque la surchauffe de la machine"



- Laissez la machine refroidir en fonction des cycles de fonctionnement.
- Réduisez le courant ou le taux de cycle de fonctionnement avant de recommencer le soudage.
- Ne bloquez pas les entrées de ventilation de la machine.
- Ne placez pas de filtre sur les entrées de ventilation de la machine sans l'approbation du fabricant.

Le soudage à l'arc peut causer des interférences électromagnétiques



Cet appareil n'est pas conforme à la norme CEI 61000-312. Si vous souhaitez vous connecter au réseau basse tension utilisé dans les maisons, l'installateur ou la personne qui utilisera la machine doit être familiarisé avec la connexion de la machine, dans ce cas la responsabilité appartient à l'opérateur.

- Assurez-vous que la zone d'exploitation soit conforme à la compatibilité électromagnétique (CEM). Les interférences électromagnétiques qui peuvent se produire lors du soudage / coupage ou du découpage peuvent causer des effets indésirables sur vos appareils électroniques et votre secteur. Les effets qui peuvent se produire au cours du processus sont sous la responsabilité de l'opérateur.
- Si des interférences se produisent, des mesures supplémentaires peuvent être prises pour assurer la conformité, telles que l'utilisation de câbles courts, l'utilisation de câbles blindés, le transport de la machine à souder vers un autre endroit, l'enlèvement des câbles du dispositif et/ou de la zone affectée, l'utilisation de filtres, ou la protection CEM de la zone de travail.
- Effectuez les opérations de soudage / coupage le plus loin possible (100 m) de vos appareils électroniques sensibles pour prévenir les dommages CEM potentiels.
- Assurez-vous que votre machine de soudage et de découpe est installée et placée conformément aux consignes d'utilisation.

Conformément à l'article 5.2 de CEI 60974-9 ;

Évaluation de la compatibilité électromagnétique du champ de fonctionnement



Avant d'installer la machine de soudage / coupage et de découpe, le responsable du site et / ou l'opérateur doit vérifier les interférences électromagnétiques éventuelles dans l'environnement. Les conditions suivantes sont à considérer ;

- Autres câbles d'alimentation, câbles de commande, câbles de signalisation et câbles téléphoniques au-dessus, au-dessous et à côté de la machine et du matériel de soudage / coupage,
- Émetteurs et récepteurs de radio et de télévision,
- Matériel informatique et autre matériel de contrôle,
- Équipements de sécurité critiques, par exemple protection de l'équipement industriel,
- Appareils médicaux des personnes à proximité, tels que stimulateurs cardiaques et appareils auditifs,
- Équipement utilisé pour la mesure ou l'étalonnage,
- Immunité des autres équipements dans l'environnement. L'opérateur doit s'assurer que tout autre matériel utilisé dans l'environnement soit compatible. Cela peut nécessiter des mesures de protection supplémentaires,
- Les limites de la zone d'inspection peuvent se varier en fonction du temps pendant lequel le procédé de soudage / coupage ou d'autres activités seront effectués pendant la journée, de la taille de l'environnement, de la structure du bâtiment et d'autres activités.

En plus de l'évaluation des conditions de la zone, l'évaluation de l'installation des appareils peut également être nécessaire pour résoudre l'effet perturbateur. Si nécessaire, des mesures sur site peuvent également être prises pour confirmer l'efficacité des mesures d'atténuation.

(Source: CEI 60974-9)

Moyens pour réduire les interférences



- La machine doit être branchée à un réseau électrique tel que recommandé et par une personne autorisée. En cas d'interférence, des mesures supplémentaires telles que le filtrage du réseau peuvent être mises en place. L'alimentation d'équipement de soudage à l'arc fixe doit être effectuée à partir du tube métallique ou un câble blindé équivalent. Une connexion et un bon contact électrique doivent être assurés entre le blindage et le boîtier de l'alimentation.
- L'entretien de routine recommandé pour la machine doit être effectué. Lors de l'utilisation de la machine, tous les capots de protection doivent être fermés et / ou consignés. Aucun changement ni modification autre que les réglages standards ne doivent être effectués sur la machine sans l'approbation écrite du fabricant. Sinon, l'opérateur sera responsable de toutes les conséquences.
- Les câbles de soudage / coupage doivent être aussi courts que possible. Le cheminement des câbles sur le sol de la zone de travail doit être parallèle. Les câbles de soudage ne doivent en aucun cas être enroulés autour du corps.
- Un champ magnétique se forme dans la machine lors du soudage / coupage. Cela peut amener la machine à tirer les pièces métalliques sur elle-même. Afin d'éviter ce phénomène, assurez-vous que les matériaux métalliques soient à une distance de sécurité et sécurisés. L'opérateur doit être isolé de tous ces matériaux métalliques interconnectés.

- Toutefois, dans certains pays où la connexion directe n'est pas autorisée, la connexion peut être établie à l'aide d'éléments de capacité appropriés, conformément aux réglementations locales en vigueur. Le blindage et la protection d'autres périphériques et câbles dans la zone de travail peuvent prévenir les effets perturbateurs. Le cas échéant, la connexion entre la pièce à usiner et la terre peut être réalisée sous forme de connexion directe. Toutefois, dans certains pays où la connexion directe n'est pas autorisée, la connexion peut être établie à l'aide d'éléments de capacité appropriés, conformément aux réglementations locales en vigueur.
- Le blindage et la protection d'autres périphériques et câbles dans la zone de travail peuvent prévenir des effets perturbateurs. Le blindage de toute la zone de soudage / coupage peut être évalué pour certaines applications spécifiques.

Magnétique électromagnétique (CEM)



Le courant électrique passant par n'importe quel conducteur crée des champs électriques et magnétiques régionaux (CEM). Les opérateurs doivent suivre les procédures suivantes afin de minimiser les risques engendrés par l'exposition aux CEM du circuit de soudage :

- Afin de réduire le champ magnétique, les câbles de soudage / coupage doivent être rassemblés et fixés autant que possible avec des équipements de fixation (ruban, serre-câbles, etc.).
- Le corps et la tête de l'opérateur doivent être tenus aussi loin que possible de la machine à soudage / coupage et des câbles.
- Les câbles électriques et de soudage / coupage ne doivent jamais être enroulés autour du corps du poste à souder.
- Le corps ne doit pas rester entre les fils de soudage / coupage. Les câbles de soudage doivent être tenus à l'écart du qq corps, côte à côte.
- Le câble de retour doit être connecté à la pièce à usiner aussi près que possible de la zone soudage / coupage.
- Ne vous appuyez pas sur le groupe électrogène de soudage, ne vous asseyez pas dessus et ne travaillez pas trop près.
- Le soudage / coupage ne doit pas être effectué pendant le transport de l'unité d'alimentation en fil de soudage / coupage ou du bloc d'alimentation en courant de soudage.

Les CEM peuvent également perturber le fonctionnement des implants médicaux (substance placée à l'intérieur du corps), tels que les stimulateurs cardiaques. Des mesures de protection doivent être prises pour les personnes portant des implants médicaux. Par exemple, l'accès dans la zone du travail pourraient être restreint pour les passants, ou des évaluations individuelles des risques pourraient être effectuées pour les soudeurs. Une évaluation des risques doit être effectuée par un spécialiste médical pour les utilisateurs d'implants médicaux.



- N'exposez pas la machine à la pluie, empêchez les éclaboussures d'eau ou de la vapeur pressurisée d'y pénétrer.

Efficacité Énergétique



- Choisissez la méthode et la machine de soudage / coupage appropriées pour votre soudage.
- Sélectionnez le courant et/ou la tension de soudage / coupage en fonction du matériau et de l'épaisseur auxquels vous soudez.
- Si vous devez attendre longtemps pour le soudage / coupage, éteignez la machine une fois que le ventilateur l'a refroidie. Nos machines (produits) munies d'un système de ventilateur intelligent s'arrêteront automatiquement.

Procédure relative aux déchets



- Cet appareil n'est pas un déchet ménager. Elle doit être déposée dans un centre de recyclage agréé dans le cadre de la directive de l'Union Européenne et du droit national.
- Renseignez-vous auprès de votre revendeur et des personnes autorisées sur la gestion des déchets de votre machine usagée.

FORMULAIRE DE GARANTIE



Pour le formulaire de garantie, visitez notre site web www.magmaweld.fr/formulaire-de-garantie/wr.

SPÉCIFICATIONS TECHNIQUES

1.1 Explications Générales

L'ID 65 PX et l'ID 65 P sont des machines de découpe plasma haute performance conçues pour les applications de découpe et de gougeage. Grâce à leur design compact, ces machines sont légères et portables. Elles offrent d'excellentes performances de découpe et de gougeage. Dans le modèle ID 65 PX, la pression de gaz requise pendant la découpe est automatiquement ajustée en fonction du mode de découpe et de la torche utilisée. En revanche, dans le modèle ID 65 P, la pression de gaz requise doit être réglée manuellement.

1.2 Composants

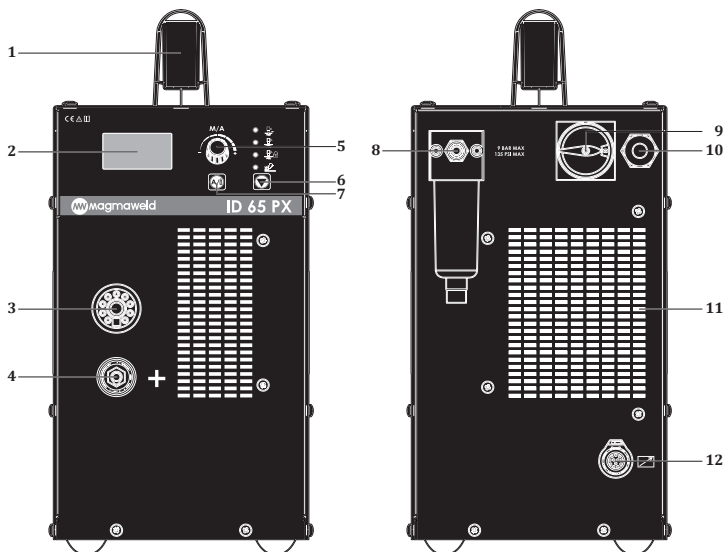


Figure 1 : ID 65 PX - Vue avant et arrière

- | | |
|---|---------------------------------------|
| 1- Poignée | 7- Bouton de sélection du courant/gaz |
| 2- Affichage numérique | 8- Filtre à air |
| 3- Connecteur de la torche | 9- Interrupteur marche/arrêt |
| 4- Connexion de mise à la terre (+) | 10- Connexion d'alimentation |
| 5- Potentiomètre de réglage | 11- Ventilateur |
| 6- Bouton de sélection du mode de découpe | 12- Connecteur de la télécommande |

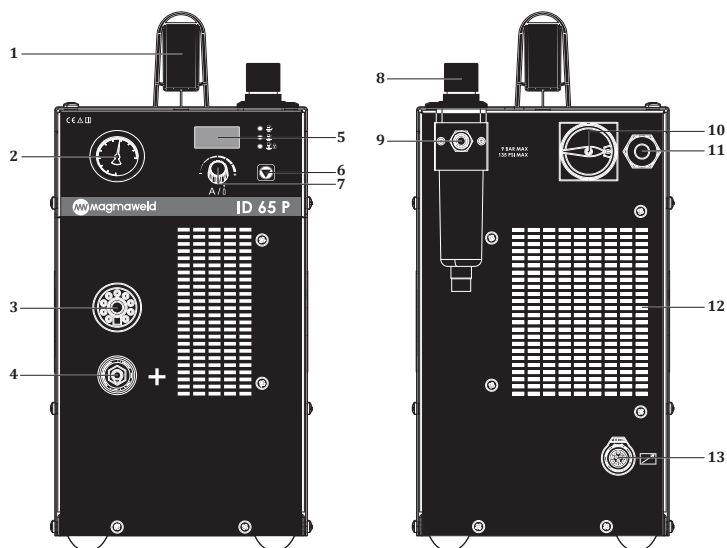








Figure 2 : ID 65 P - Vue avant et arrière

- | | |
|---|---|
| 1- Poignée | 8- Potentiomètre de réglage de la pression du gaz |
| 2- Affichage manuel de la pression du gaz | 9- Filtre à air |
| 3- Connecteur de la torche | 10- Interrupteur marche/arrêt |
| 4- Connexion de mise à la terre (+) | 11- Connexion d'alimentation |
| 5- Affichage numérique | 12- Ventilateur |
| 6- Bouton de sélection du mode de découpe | 13- Connecteur de la télécommande |
| 7- Potentiomètre de réglage | |

1.3 Étiquette du Produit

FR

MAGMA MEKATRONİK MAKİNE SAN. VE TİC. A.Ş. Organize Sanayi Bölgesi 5.Kısım Manisa-TÜRKİYE					
ID 65 PX		S/N:			
		EN 60974-1/-10 Cl. A			
	20A / 88V - 65A / 106V				
S	U ₀ =280V	X ^(40°C)	50%	60%	100%
		I ₂	65A	59A	46A
		U ₂	106V	103.7V	98.4V
	U ₁ =400V	I _{1max} = 17.8A	I _{1eff} = 12.61A		
IP21S		CE	EAC	UK CA	

MAGMA MEKATRONİK MAKİNE SAN. VE TİC. A.Ş. Organize Sanayi Bölgesi 5.Kısım Manisa-TÜRKİYE					
ID 65 P		S/N:			
		EN 60974-1/-10 Cl. A			
	20A / 88V - 65A / 106V				
S	U ₀ =280V	X ^(40°C)	50%	60%	100%
		I ₂	65A	59A	46A
		U ₂	106V	103.7V	98.4V
	U ₁ =400V	I _{1max} = 17.8A	I _{1eff} = 12.61A		
IP21S		CE	EAC	UK CA	

 Transformateur Redresseur Triphasé

 Caractéristique Verticale

 Courant Continu

 Découpe plasma

 Entrée Secteur -
Courant Alternatif Triphasé

 Compatible Pour Travailler dans des
Environnements Dangereux

X Cycle de Fonctionnement

U₀ Tension de Fonctionnement à Vide

U₁ Tension et Fréquence du Secteur

U₂ Tension Nominale de Soudage

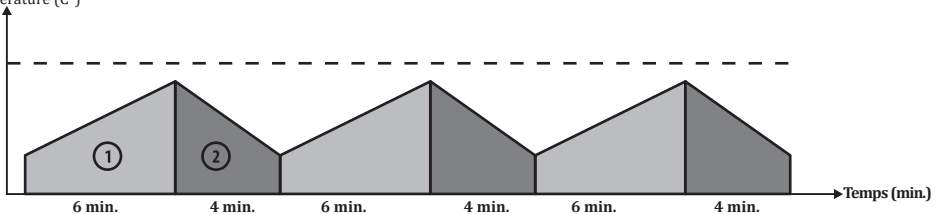
I₁ Courant d'entrée Assigné

I₂ Courant d'entrée Nominal

S₁ Tension d'entrée Assignée

IP21 Classe de Protection

Cycle de Fonctionnement
Température (C°)



Le taux de cycle de fonctionnement comprend une période de 10 minutes, telle que définie dans l'EN 60974-1. Par exemple, si vous souhaitez travailler à 100 A sur un poste spécifié à 100 A à 60%, le poste peut coupage sans arrêt (zone 1) pendant les 6 premières minutes de la période de 10 minutes. Cependant, doit rester inactive pendant les 4 minutes suivantes pour se refroidir.

1.4 Caractéristiques Techniques

SPÉCIFICATIONS TECHNIQUES	UNITÉ	ID 65 PX	ID 65 P
Tension Réseau (3 phase - 50-60 Hz)	V	400	400
Tension d'entrée Assignée	kVA	12,3	12,3
Zone d'ajustement de Courant de Soudage	ADC	20 - 65	20 - 65
Courant d'entrée Nominal	ADC	65	65
Tension de Fonctionnement à Vide	VDC	270	270
Épaisseur de découpe recommandée (tous les métaux)	mm	22 (500 mm/sec.)	22 (500 mm/sec.)
Épaisseur de découpe maximale (tous les métaux)	mm	28 (250 mm/sec.)	28 (250 mm/sec.)
Épaisseur de rupture (tous les métaux)	mm	35 (125 mm/sec.)	35 (125 mm/sec.)
Gougeage (3,5 mm D x 6,6 mm G)	kg	5 (1 Hour)	5 (1 Hour)
Dimensions (L X L X H)	mm	628.1 x 219.3 x 453.7	628.1 x 219.3 x 453.7
Poids	kg	26	26
Classe de Protection		IP21S	IP21S

Les vitesses de découpe indiquées dans le tableau résultent des tests effectués par Magmaweld en laboratoire. Elles peuvent varier en fonction des différentes applications de découpe et des conditions environnementales.

1.5 Accessoires

ACCESSOIRES STANDARDS	QUANTITÉ	CODE PRODUIT
Pince et Câble de Masse	1	K301100343
Torche (manuelle) *	1	7142H10506
Torche (mécanisée) *	1	7142M10512

* À vérifier lors de la commande.

INSTALLATION

2.1 Considérations Relatives à la Réception du Poste de Soudage

Assurez-vous que tous les composants que vous avez commandés soient livrés. Si un matériel quelconque est manquant ou endommagé, contactez immédiatement votre revendeur.

La boîte standard comprend les éléments suivants :

- Machine de découpe et câble réseau connecté
- Torche et consommables
- Pince et câble de masse
- Certificat de garantie
- Manuel d'utilisation

En cas de réception de la marchandise endommagée, prenez les photos des dégâts constatés et signalez-les au transporteur avec une copie du bon de livraison. Si le problème persiste, contactez le service client.

Symboles et leur signification sur l'appareil



La découpe/le soudage peuvent être dangereux. Il convient de garantir des conditions de travail appropriées et de prendre les précautions nécessaires. Les spécialistes sont responsables de la machine et doivent être équipés du matériel nécessaire. Les personnes non concernées doivent être tenues à l'écart de la zone de découpe/soudage.



Ce poste de soudage n'est pas conforme à la norme CEI 61000-3-12. Si vous souhaitez vous connecter au réseau basse tension utilisé dans les résidences, l'installateur ou la personne qui utilisera la machine doit être familiarisé avec la connexion de la machine, dans ce cas la responsabilité appartient à l'opérateur.



Il faut respecter les symboles de sécurité et les avertissements qui se trouvent sur le poste et dans le manuel d'utilisation et ne pas retirer les étiquettes.



Les grilles sont destinées à la ventilation. Les ouvertures ne doivent pas être recouvertes afin d'assurer un bon refroidissement et aucun corps étranger ne doit être y introduit.

2.2 Conseils d'Installation et de Fonctionnement

- Des anneaux de levage ou des chariots élévateurs doivent être utilisés pour déplacer la machine. Ne soulevez pas la machine avec la bouteille de gaz. Lorsque vous transportez manuellement des machines à souder portatives, des mesures doivent être prises conformément aux réglementations en matière de santé et de sécurité au travail. Les dispositions nécessaires doivent être prises sur le lieu de travail pour garantir que le processus de transport s'effectue dans le plus grand respect des conditions de santé et de sécurité. Des précautions doivent être prises en fonction des caractéristiques de l'environnement de travail et des exigences du travail. Placez la machine sur une surface dure, plane et lisse où elle ne risque pas de tomber ou de se renverser.
- Lorsque la température ambiante dépasse 40 °C, faites fonctionner la machine à un courant plus faible ou à un cycle de fonctionnement plus faible.
- Évitez les découpes à l'extérieur par temps venteux et pluvieux. Si une découpe est nécessaire dans de telles conditions, protégez la zone de découpe et la machine de découpe avec un rideau et un auvent.
- Lors de l'installation de la machine, assurez-vous que des éléments tels que des murs, des rideaux, des panneaux, etc. n'empêchent pas l'accès facile aux commandes et aux connexions de la machine.
- En cas de découpe à l'intérieur, utilisez un système d'extraction des fumées adapté. Utilisez un appareil respiratoire s'il existe un risque d'inhalation de fumées et de gaz de découpe dans des espaces confinés.
- Respectez les taux de cycle de fonctionnement spécifiés sur l'étiquette du produit. Dépasser régulièrement le nombre de cycle approprié peut endommager la machine et annuler la garantie.
- Un câble d'alimentation adapté à la valeur de fusible spécifiée doit être utilisé.
- L'alimentation doit être mise à la terre conformément aux codes électriques locaux et nationaux.
- Assurez-vous que les raccords d'alimentation en gaz sont correctement effectués. Si la source de gaz est com primée dans la bouteille, fixez la bouteille de gaz pour qu'elle ne se renverse pas.

2.3 Branchements Électriques



Pour votre sécurité, n'utilisez jamais le câble réseau de la machine sans fiche. Protégez l'équipement à l'aide d'un fusible à action lente adapté au système et d'un interrupteur d'urgence qui coupera rapidement l'alimentation électrique en cas d'urgence.

- Utilisez le câble de mise à la terre adapté à votre alimentation électrique. Poussez le connecteur du châssis dans le connecteur du bloc d'alimentation, enclenchez-le et vérifiez que la connexion est bien serrée.
- Les travaux de raccordement électrique doivent être effectués par un électricien qualifié, conformément aux réglementations locales et nationales.

2.4 Branchement au Réseau



Lors du branchement de la fiche d'alimentation dans la prise, assurez-vous que l'interrupteur d'alimentation est réglé sur « 0 ».

- Avant de brancher la machine au réseau, vérifiez les 3 phases avec un voltmètre. Après vous être assuré que chaque phase est correcte, insérez la fiche dans la prise.
- Démarrez la machine à l'aide de l'interrupteur Marche/Arrêt.
- La machine est prête à démarrer lorsque le symbole MW apparaît à l'écran. (ID 65 PX)
- Éteignez la machine en replaçant l'interrupteur sur la position « 0 ».

2.5 Connexions pour La Découpe Plasma



Restez prudent pendant le processus de découpe et portez des vêtements et des gants de protection appropriés.

2.5.1 Connexion de La Bouteille de Gaz

- Si la source de gaz se trouve dans l'atelier ou dans une bouteille de gaz, un régulateur de gaz doit être utilisé ; ce régulateur doit pouvoir fournir du gaz à l'entrée d'air de la machine.
- Si une bouteille de gaz est utilisée, fixez-la pour éviter qu'elle ne se renverse.
- Pour travailler en toute sécurité et obtenir les meilleurs résultats, utilisez un régulateur conforme aux normes et assurez-vous que la qualité de l'alimentation en gaz respecte les normes. La qualité de l'alimentation en gaz affectera les performances de découpe et la qualité de la consommation.
- Protégez la conduite de gaz des contaminants tels que l'huile, la poussière, etc.
- Laissez le robinet de la bouteille de gaz ouvert pendant un certain temps pour permettre l'évacuation des sédiments et des particules éventuelles.
- Raccordez le régulateur de gaz à la bouteille de gaz, en veillant à ce que le filetage de la sortie de gaz de la bouteille et l'écrou du régulateur se chevauchent.
- Connectez une extrémité du tuyau au régulateur de gaz et l'autre extrémité à l'entrée de gaz à l'arrière de la machine et ouvrez le robinet de la bouteille de gaz.
- Réglez le débit de gaz à l'aide de la vanne de régulation de la pression.
- Assurez-vous qu'il n'y a pas de fuites dans les connexions.
- Le filtre à air peut être endommagé en cas de dépassement de la limite supérieure de la pression du gaz d'entrée.

Source de gaz	Air ou azote propre, sec et dépourvu d'huile
Débit/pression d'entrée de gaz recommandé	Découpe : 185 l/min à 5,5 bar Gougeage : 208 l/min à 4,6 bar

2.5.2 Connexions de La Pince de Mise À La Terre

- Insérez la fiche du câble de la pince-étau de terre dans la prise de mise à la terre de la machine et serrez-la en la tournant vers la droite. Assurez-vous que la connexion est réalisée.
- Pour améliorer la qualité de la découpe, fixez fermement la pince-étau de terre à la pièce à travailler, aussi près que possible de la zone à couper.

- Assurez-vous que le contact métal-métal est approprié. Ne connectez jamais la pince-étau de terre à la partie du métal qui tombe.



L'alimentation doit être mise à la terre conformément aux réglementations électriques nationales et locales afin de garantir la sécurité des personnes, de réduire les interférences électromagnétiques et de créer des conditions de fonctionnement appropriées.

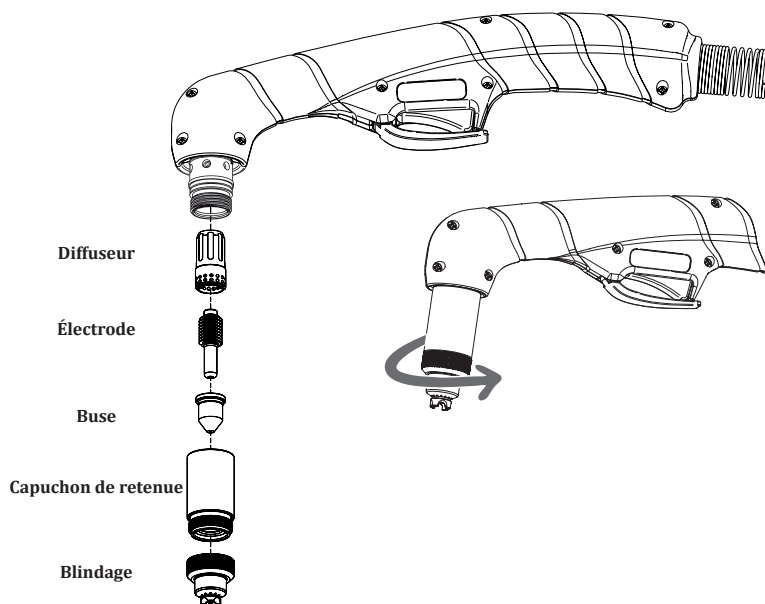
2.5.3 Connexions de La Torche

- Les torches de découpe plasma de marque Magmaweld doivent être utilisées en fonction de la méthode de découpe à appliquer avec la source d'alimentation.
- Une torche manuelle est utilisée pour la découpe manuelle, et une torche mécanisée pour la découpe mécanisée.
- Pour la connexion de la torche, insérez le connecteur de la torche dans son connecteur sur le bloc d'alimentation et tournez-le vers la droite. Assurez-vous que la connexion est réalisée.
- Maintenez l'alimentation électrique hors tension pendant la connexion de la torche.
- Reportez-vous à 5.1 pour des informations détaillées sur les torches.



2.6 Mise En Place Des Consommables

- Les matériaux utilisés pour les torches de découpage plasma manuelles et mécanisées sont différents.
- Tout d'abord, préparez les consommables de la torche.
- Les consommables appropriés doivent être sélectionnés en fonction du type de torche et de la méthode utilisée.
- Les consommables doivent être installés dans l'ordre indiqué.



- La durée de vie des consommables dépend du matériau à couper, de l'épaisseur de découpe, de la longueur de découpe, de la méthode de découpe, de la distance appropriée par rapport au matériau, de la qualité de l'air et de la fréquence de sablage. Si la fréquence de sablage est élevée, le consommable s'usera plus rapidement.
- Lors de l'utilisation de consommables blindés, l'extrémité de la torche peut toucher le métal à couper pendant la découpe. Lors de l'utilisation de consommables non blindés, une distance de 2 à 3 mm doit être respectée entre la pièce à découper et la torche."
- Reportez-vous à 5.1 pour des informations détaillées sur les consommables.



L'arc plasma se forme immédiatement lorsque la gâchette de la torche est activée.
Assurez-vous que l'alimentation électrique est coupée lors du remplacement des consommables du plasma.

2.7 Arc Pilote

Un gaz ionisé à haute conductivité électrique est utilisé dans le processus de découpe plasma. Dès que la torche à plasma est déclenchée, l'alimentation en courant continu est activée et un flux rapide de gaz commence dans la torche en peu de temps. Ce courant continu ionise le gaz dans la torche et l'arc se produit. Cet arc, qui est rétréci et intensifié par la torche, est appelé arc pilote.

L'arc pilote est expulsé de la pointe de la torche par des gaz à haute vitesse. Lorsqu'il entre en contact avec le métal à découper, le courant principal se forme et la découpe commence. Le processus de découpe se poursuit en déplaçant la torche.

2.8 Télécommande

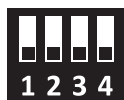
La télécommande ne sera activée que lors de l'utilisation d'une torche mécanisée. Un connecteur dédié à la télécommande se trouve à l'arrière de la machine. Lorsque la connexion nécessaire est réalisée sur le connecteur situé à l'arrière de l'alimentation, elle donne accès à la tension d'arc et fournit un signal pour le transfert de l'arc et l'amorçage du plasma. Reportez-vous à 5.2 pour des informations détaillées sur le schéma de câblage de l'automatisation.

Réglage du diviseur de tension

L'alimentation est dotée d'un diviseur de tension à cinq positions.

L'information de tension est modifiée à l'aide du diviseur de tension.

Ce diviseur de tension est réglé par défaut sur 20:1. Le tableau ci-dessous indique l'emplacement des commutateurs DIP pour les réglages du diviseur de tension.



20:1



20.1:1



30:1



40:1



50:1



: Montre que l'interrupteur se trouve au-dessus.

La machine de découpe plasma ID 65 PX utilise 2 types d'interfaces d'automatisation : communication numérique et analogique.

En revanche, la machine de découpe plasma ID 65 P ne dispose que d'une interface d'automatisation à communication analogique.

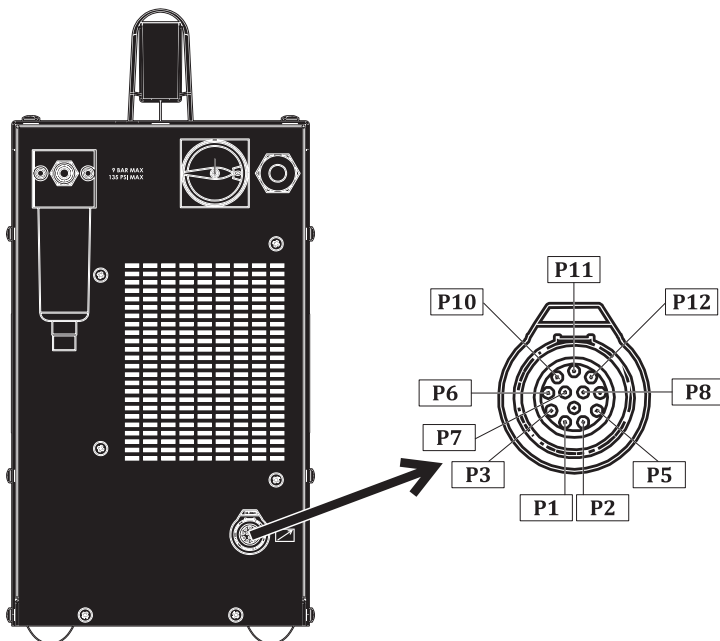
1) Communication numérique

Une prise et une carte supplémentaires sont ajoutées à la machine.

Elles sont utilisées pour la communication numérique sur Modbus. Outre la communication analogique ;

- Le courant de la machine peut être réglé à distance.
- Le courant de découpe et la pression du gaz peuvent être réglés à distance en fonction des matériaux à découper.
- Les modes de la machine peuvent être modifiés à distance.
- Tous les codes d'erreur de la machine peuvent être transmis à l'interface d'automatisation. Ainsi, soit la table est arrêtée, soit l'opérateur est averti.

Les joints de connecteur pour les signaux à utiliser le long du câble d'interface de la machine sont représentés sur la figure ci-dessous. Le tableau contient des informations sur les signaux. Respectez le tableau suivant lorsque l'alimentation électrique doit être connectée à la table CNC ou au contrôleur de hauteur de torche avec le câble d'interface machine :

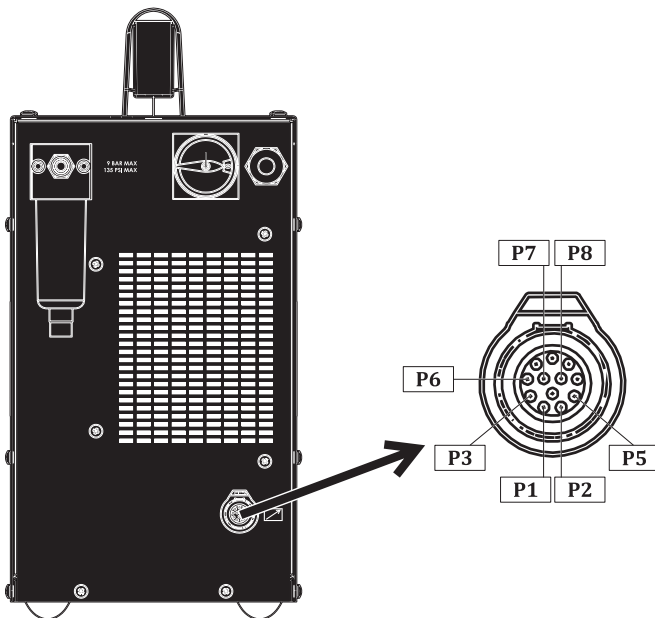


Nom de la connexion	Joint de connecteur	Explication
Démarrage (déclencheur)	P5, P2	Tension de 24 VCC en circuit ouvert. Nécessite une fermeture par contact sec pour être activé.
Approbation de l'arc	P1, P3	Contact normalement ouvert. Lorsque l'arc de plasma se forme, le contact s'éteint. (Maxi. : 220 VCC 2 A)
Communication	P10 (A) P11 (B) P12 (GND)	ModBus
Diviseur de tension	P7 (+) P8 (-)	La machine adapte la tension de sortie au système de commande. Elle donne des sorties divisées de 20:1, 21,1:1, 30:1, 40:1, 50:1.
Terre	P6	Pour la sécurité de l'équipement, il est recommandé de le connecter au point de mise à la terre de votre système.

2) Communication analogique

Elle fonctionne avec une structure de contact sec. L'unité d'automatisation envoie un avertissement à la machine plasma pour qu'elle fonctionne via le contact sec et le plasma crée un arc pilote. Lorsque la machine plasma crée un arc pilote, elle envoie un avertissement à l'unité d'automatisation grâce à la structure de contact sec. Lorsque la machine démarre le processus de découpe, elle signale la tension de l'arc plasma pour que l'interface d'automatisation puisse régler la hauteur.

Les joints de connecteur pour les signaux à utiliser le long du câble d'interface de la machine sont représentés sur la figure ci-dessous. Le tableau contient des informations sur les signaux. Respectez le tableau suivant lorsque l'alimentation électrique doit être connectée à la table CNC ou au contrôleur de hauteur de torche avec le câble d'interface machine :



Nom de la connexion	Joint de connecteur	Explication
Démarrage (déclencheur)	P5, P2	Tension de 24 VCC en circuit ouvert. Nécessite une fermeture par contact sec pour être activé.
Approbation de l'arc	P1, P3	Contact normalement ouvert. Lorsque l'arc de plasma se forme, le contact s'éteint. (Maxi. : 220 VCC 2 A)
Diviseur de tension	P7 (+) P8 (-)	La machine adapte la tension de sortie au système de commande. Elle donne des sorties divisées de 20:1, 21,1:1, 30:1, 40:1, 50:1.
Terre	P6	Pour la sécurité de l'équipement, il est recommandé de le connecter au point de mise à la terre de votre système.

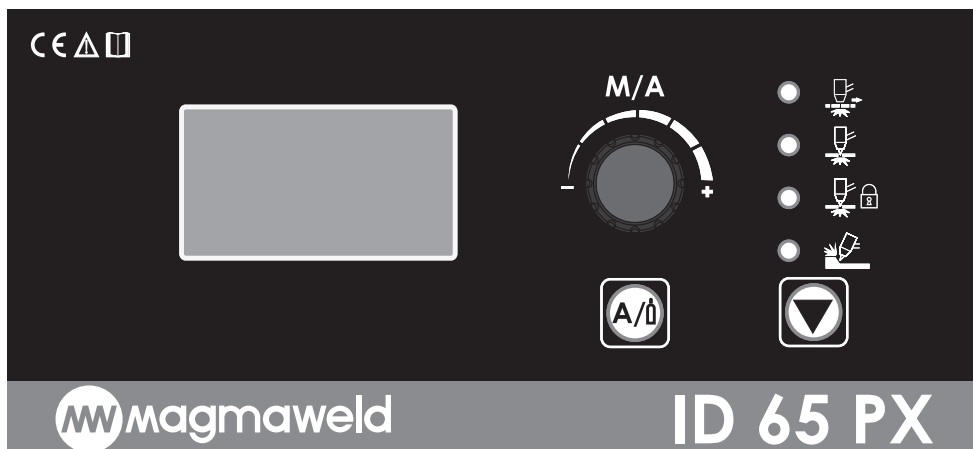


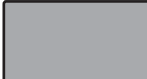




L'installation du câble d'interface machine et de la carte du diviseur de tension doit être effectuée par un service agréé.





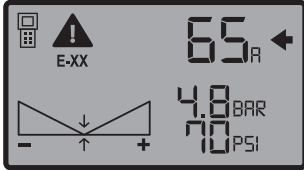
Lorsque le capot du connecteur d'interface situé à l'arrière de la machine n'est pas utilisé, il doit être maintenu fermé pour empêcher la pénétration de poussière et d'humidité.

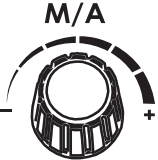

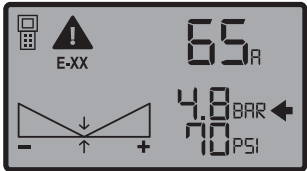
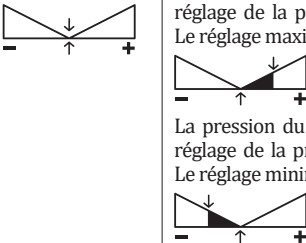



UTILISATION

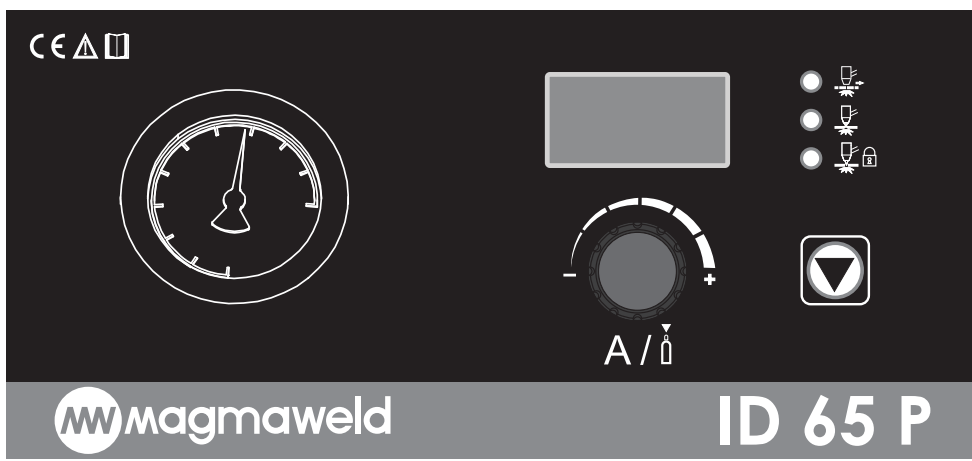
3.1 Interface Utilisateur



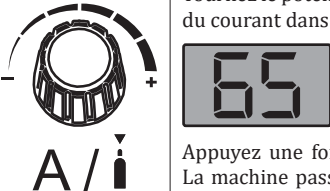





	<p>Affichage numérique</p> <p>Le courant de soudage réglé, les valeurs de pression, le graphique de pression et les codes d'erreur peuvent être contrôlés visuellement sur l'écran numérique.</p>
	<p>Modes de découpe</p> <p> Découpe de grille</p> <p>Ce mode est utilisé pour la découpe de matériaux composés de métal et d'interstices, comme des grilles. Si ce mode n'est pas utilisé pour découper des matériaux avec des espaces tels que des grilles, la découpe du matériau commence lorsque l'arc pilote démarre, mais l'arc pilote se termine au premier espace qu'il rencontre. Lorsqu'il arrive sur la pièce métallique après l'espace, appuyez et relâchez à nouveau la gâchette et amorcez l'arc pilote afin de poursuivre la découpe. Le mode de découpe de grille a été créé pour être utilisé sur des matériaux de type grille. Un arc pilote se produit dès que vous appuyez sur la gâchette de la torche en mode de découpe de grille et le matériau est coupé. Il découpe l'arc pilote lorsque l'espace est atteint, et active l'arc pilote lorsqu'il arrive à nouveau sur le matériau. Ce cycle se poursuit jusqu'à ce que vous relâchiez la gâchette. Le processus de découpe se termine dès que vous relâchez la gâchette.</p> <p> Découpe normale</p> <p>Dès que vous appuyez sur la gâchette en mode de découpe normale, un arc pilote se produit et le processus de découpe commence. Même si vous ne relâchez pas la gâchette lorsque la pièce est terminée, l'arc s'éteint et la gâchette peut être relâchée. Si vous relâchez la gâchette au milieu du matériau, l'arc s'éteint à nouveau. L'arc pilote réapparaît lorsque vous appuyez à nouveau sur la gâchette pour poursuivre le processus.</p> <p> Verrouillage de la gâchette de la torche</p> <p>L'arc pilote se produit dès que vous appuyez sur la gâchette dans ce mode. Vous pouvez retirer votre main de la gâchette et poursuivre la découpe une fois ce processus commencé.</p>

	<p>Dès que la pièce est terminée (lorsque l'écart devient visible), l'arc pilote s'éteint et le mode est désactivé. Le mode est activé lorsque vous appuyez à nouveau sur la gâchette et que vous commencez à couper la pièce à travailler. Ce mode permet de couper facilement les pièces particulièrement longues. La découpe peut être effectuée sans garder le doigt en continu sur la gâchette.</p> <p> Gougeage</p> <p>Le débit de gaz est réglé automatiquement par la machine lorsque la méthode de gougeage est sélectionnée en mode automatique. Les consommables de la torche doivent être changés conformément à la méthode de gougeage. L'arc pilote se produit dès que vous appuyez sur la gâchette. La découpe s'effectue le long de la pièce et l'arc pilote s'éteint dès que la pièce est terminée ou lorsque l'écart devient visible. Vous pouvez alors relâcher votre doigt de la gâchette.</p>
<p>M/A</p> 	<p>Potentiomètre de réglage (M/A : mode manuel/automatique)</p> <p>La machine démarre en mode automatique lorsqu'elle est allumée et qu'aucun graphique de pression de gaz n'est visible à l'écran. Le potentiomètre de réglage sert uniquement à régler le courant en mode automatique. Tournez le potentiomètre vers la gauche et la droite pour ajuster la valeur de courant souhaitée dans certaines plages de tolérance.</p> <p>En mode automatique, l'alimentation ajuste le gaz en fonction du type et de la longueur de la torche. La pression optimale du gaz est automatiquement réglée. Le réglage de la pression du gaz par l'alimentation électrique est à la fois pratique et évite aux utilisateurs de se tromper.</p> <p>Appuyez une fois sur le potentiomètre de réglage pour passer en mode manuel ; le graphique de la pression du gaz s'affiche à l'écran. Les réglages du courant et de la pression du gaz se font avec le potentiomètre de réglage en mode manuel.</p> <p> Appuyez sur le bouton de sélection du courant/gaz et accédez à l'onglet de réglage du courant ou du gaz. Sur l'onglet Courant, une flèche apparaît à côté de celui-ci. Pour régler le courant, tournez le potentiomètre de réglage vers la droite et vers la gauche jusqu'à obtenir la valeur de courant souhaitée dans certaines tolérances. Si les flèches se trouvent au milieu du graphique de la pression de gaz, celle-ci est réglée sur la valeur optimale proposée par la machine.</p> 

	<p> Lorsque vous appuyez sur le bouton de sélection de courant/gaz et que vous passez à l'onglet de réglage du gaz, une flèche apparaît à côté de celui-ci. L'alimentation électrique ajuste automatiquement la pression du gaz. Toutefois, l'utilisateur la règle dans une certaine plage de tolérance. Lorsque le potentiomètre de réglage est tourné vers la droite, la pression du gaz augmente et le graphique de la pression du gaz se déplace vers la droite. Lorsque le potentiomètre de réglage est tourné vers la gauche, la pression du gaz diminue et le graphique de la pression du gaz se déplace vers la gauche. Le réglage de la pression de gaz la plus optimale en fonction du débit réglé est la valeur indiquée au milieu du graphique.</p> 
	<p>Graphique de pression du gaz Il indique graphiquement la valeur de la pression du gaz.</p> <p>Si le graphique est vide, la pression de gaz optimale définie par l'alimentation est sélectionnée.</p> <p>Le milieu du graphique indique la pression de gaz optimale (4,8 BAR / 70 PSI). La pression du gaz augmente lorsque le potentiomètre est tourné vers la droite lors du réglage de la pression du gaz. La zone de droite du graphique commence à se remplir. Le réglage maximal de la pression du gaz est de 5,5 BAR (80 PSI).</p> <p>La pression du gaz diminue lorsque le potentiomètre est tourné vers la gauche lors du réglage de la pression du gaz. La zone de gauche du graphique commence à se remplir. Le réglage minimal de la pression du gaz est de 4,4 BAR (64 PSI).</p>
	<p>Bouton de sélection du courant/gaz Permet de commuter les valeurs du courant et de la pression du gaz en mode manuel. Les réglages sont effectués dans ces onglets avec le potentiomètre de réglage.</p>
	<p>Code d'erreur Affiche l'icône et le code d'erreur.</p>
	<p>Connexion à distance Indique que la connexion à distance est active.</p>



	<p>Affichage numérique Le courant de soudage réglé, les valeurs de pression, le graphique de pression et les codes d'erreur peuvent être contrôlés visuellement sur l'écran numérique.</p>
	<p>Modes de découpe</p> <p> Découpe de grille</p> <p>Ce mode est utilisé pour la découpe de matériaux composés de métal et d'interstices, comme des grilles. Si ce mode n'est pas utilisé pour découper des matériaux avec des espaces tels que des grilles, la découpe du matériau commence lorsque l'arc pilote démarre, mais l'arc pilote se termine au premier espace qu'il rencontre. Lorsqu'il arrive sur la pièce métallique après l'espace, appuyez et relâchez à nouveau la gâchette et amorcez l'arc pilote afin de poursuivre la découpe. Le mode de découpe de grille a été créé pour être utilisé sur des matériaux de type grille. Un arc pilote se produit dès que vous appuyez sur la gâchette de la torche en mode de découpe de grille et le matériau est coupé. Il découpe l'arc pilote lorsque l'espace est atteint, et active l'arc pilote lorsqu'il arrive à nouveau sur le matériau. Ce cycle se poursuit jusqu'à ce que vous relâchiez la gâchette. Le processus de découpe se termine dès que vous relâchez la gâchette.</p>
	<p> Découpe normale</p> <p>Dès que vous appuyez sur la gâchette en mode de découpe normale, un arc pilote se produit et le processus de découpe commence. Même si vous ne relâchez pas la gâchette lorsque la pièce est terminée, l'arc s'éteint et la gâchette peut être relâchée. Si vous relâchez la gâchette au milieu du matériau, l'arc s'éteint à nouveau. L'arc pilote réapparaît lorsque vous appuyez à nouveau sur la gâchette pour poursuivre le processus.</p>
	<p> Verrouillage de la gâchette de la torche</p> <p>L'arc pilote se produit dès que vous appuyez sur la gâchette dans ce mode. Vous pouvez retirer votre main de la gâchette et poursuivre la découpe une fois ce processus commencé. Dès que la pièce est terminée (lorsque l'écart devient visible), l'arc pilote s'éteint et le mode est désactivé. Le mode est activé lorsque vous appuyez à nouveau sur la gâchette et que vous commencez à couper la pièce à travailler. Ce mode permet de couper facilement les pièces particulièrement longues. La découpe peut être effectuée sans garder le doigt en continu sur la gâchette.</p>

 <p>A / </p>	<p>Potentiomètre de réglage </p> <p>A: Réglage du courant /  Gaz</p> <p>Tournez le potentiomètre de réglage vers la gauche ou la droite afin de régler la valeur du courant dans certaines plages de tolérance.</p> <p>Appuyez une fois sur le potentiomètre de réglage pour passer au réglage du gaz. La machine passe en mode gaz libre, l'affichage de la pression  indique environ 4,2 bars. Lorsque le potentiomètre de réglage de la pression de gaz sur le filtre à air est tiré vers le haut et placé en position libre, vous pouvez augmenter/diminuer la pression en le tournant vers la droite/gauche.</p>
	<p>Indicateur de pression</p> <p>Indique la pression à l'intérieur de la torche.</p>

3.2 Utilisation de La Torche

Appuyez sur la gâchette de la torche en poussant vers l'avant le capuchon de protection de la gâchette de la torche pour lancer le processus de découpe. L'arc plasma se produit dès que la gâchette de la torche est activée. La pointe de la torche doit être poussée lentement vers l'avant à travers le matériau à découper afin d'assurer une découpe en douceur. Lorsque la torche d'automatisation est connectée, la machine la détecte et attend un déclenchement de l'interface d'automatisation. Elle envoie les données nécessaires à l'interface d'automatisation. Reportez-vous à 5.1 pour des informations détaillées sur les torches.



La gâchette de la torche est active lorsque l'alimentation est sous tension. Veillez à ce que votre main ne se trouve pas dans la trajectoire de découpe.

Ne tenez pas la pièce à travailler dans la main et ne dirigez pas la torche vers vous ou vers quelqu'un d'autre.



MANTENANCE ET DÉFAILLANCES

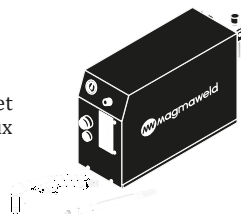
- L'entretien et la réparation de la machine doivent être effectués par des personnes compétentes. Notre société n'est pas responsable des accidents qui se produisent à la suite d'interventions par des personnes non autorisées.
- Les pièces à utiliser pendant la réparation peuvent être obtenues auprès de nos services autorisés. L'utilisation de pièces détachées d'origine prolongera la durée de vie de votre machine et empêchera les pertes de rendement.
- Contactez toujours le fabricant ou un agent de service autorisé spécifié par le fabricant.
- Toute tentative non autorisée par le fabricant pendant la période de garantie annulera toutes les dispositions de la garantie.
- Respectez scrupuleusement les consignes de sécurité applicables pendant les procédures d'entretien et de réparation.
- Avant toute opération de réparation de la machine, déconnectez la sortie électrique de la machine du secteur et attendez 10 secondes pour que les condensateurs se déchargent.

4.1 Maintenance



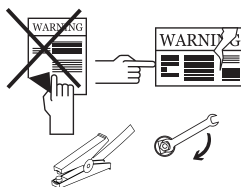
Maintenance quotidienne

- Les consommables de la torche doivent être contrôlés régulièrement et remplacés s'ils sont usés ou endommagés. Veillez à ce que ces matériaux soient des produits d'origine pour une utilisation à long terme et des performances élevées.



Tous les 3 mois

- Ne retirez pas les étiquettes d'avertissement sur l'appareil. Remplacez les étiquettes usées ou déchirées par des nouvelles. Les étiquettes peuvent être obtenues auprès du service agréé.
- Vérifiez vos pinces-étaux et vos câbles. Faites attention aux connexions et à la durabilité des pièces.
- Remplacez les pièces endommagées/défectueuses par des pièces neuves. Ne faites jamais d'ajouts/de réparations sur les câbles.
- Assurez un espace suffisant pour la ventilation.



Tous les 6 mois

- Nettoyez et serrez les éléments de fixation tels que les boulons et les écrous. Vérifiez la pince-étau et les câbles. Ouvrez les capots latéraux de la machine et nettoyez-les avec de l'air sec à basse pression. N'appliquez pas d'air comprimé sur les composants électroniques à une distance proche.
- Assurez-vous que le filtre à air est propre. S'il est sale, remplacez-le par un nouveau filtre.



REMARQUE: Les délais mentionnés ci-dessus sont les périodes maximales à appliquer dans le cas où aucun problème ne se produit sur la machine. En fonction de la densité de votre activité et de la pollution de votre environnement de travail, vous pouvez répéter les opérations ci-dessus plus fréquemment.



Ne faites jamais fonctionner la machine de découpe plasma lorsque les capots sont ouverts.

4.2 Dépannage

Les tableaux suivants contiennent des erreurs possibles à rencontrer et leurs solutions.

Incident	Cause	Solution
La machine ne fonctionne pas	<ul style="list-style-type: none"> • Il y a un problème avec la connexion électrique de la machine 	<ul style="list-style-type: none"> • Assurez-vous que la machine est connectée à l'électricité • Si le problème persiste, contactez le service agréé
	<ul style="list-style-type: none"> • Les connexions au réseau sont incorrectes 	<ul style="list-style-type: none"> • L'interrupteur Marche/Arrêt ne fonctionne pas correctement • Si le problème persiste, contactez le service agréé
	<ul style="list-style-type: none"> • Le fusible de l'alimentation réseau est défectueux ou le câble réseau est endommagé 	<ul style="list-style-type: none"> • Vérifiez les fusibles d'alimentation, le câble réseau et la fiche • Si le problème persiste, contactez le service agréé
	<ul style="list-style-type: none"> • L'interrupteur Marche/Arrêt ne fonctionne pas correctement 	<ul style="list-style-type: none"> • Vérifiez l'interrupteur Marche/Arrêt • Si le problème persiste, contactez le service agréé
La machine fonctionne mais ne découpe pas	<ul style="list-style-type: none"> • La pression et le débit d'air peuvent ne pas être adaptés 	<ul style="list-style-type: none"> • Vérifiez la pression et la qualité de l'air: la pression de l'air et assurez-vous que le débit est approprié, que l'air est sec et propre • Si le problème persiste, contactez le service agréé
	<ul style="list-style-type: none"> • La tension d'alimentation peut ne pas être appropriée 	<ul style="list-style-type: none"> • Assurez-vous que la tension d'alimentation de la machine est appropriée • Si le problème persiste, contactez le service agréé
	<ul style="list-style-type: none"> • La pince de mise à la terre ne doit pas être fixée à la pièce ou à la machine 	<ul style="list-style-type: none"> • Assurez-vous que la pince de mise à la terre est connectée à la pièce à travailler et à la machine. Nettoyez la zone où la pince de mise à la terre entre en contact avec la pièce à travailler • Assurez-vous que la pince de mise à la terre n'est pas endommagée • Si le problème persiste, contactez le service agréé
	<ul style="list-style-type: none"> • La torche et/ou les consommables peuvent être usés ou endommagés 	<ul style="list-style-type: none"> • Assurez-vous que la torche et/ou les consommables ne sont pas usés ou endommagés, remplacez-les si nécessaire. • Si le problème persiste, contactez le service agréé
	<ul style="list-style-type: none"> • L'arc ne se transfère pas à la pièce 	<ul style="list-style-type: none"> • Assurez-vous que la surface de la pièce est propre et non peinte • Assurez-vous que la torche est à la bonne distance de la pièce à travailler • Si le problème persiste, contactez le service agréé

Incident	Cause	Solution
La machine fonctionne mais ne découpe pas	<ul style="list-style-type: none"> • La pression et le débit d'air peuvent ne pas être appropriés, les éléments du filtre à air peuvent être sales 	<ul style="list-style-type: none"> • Vérifiez la pression et la qualité de l'air. Assurez-vous que la pression et le débit d'air sont appropriés, que l'air est sec et propre • Si le problème persiste, contactez le service agréé
	<ul style="list-style-type: none"> • La torche et/ou les consommables peuvent être usés ou endommagés 	<ul style="list-style-type: none"> • Assurez-vous que la torche et/ou les consommables ne sont pas usés ou endommagés, les remplacer -si nécessaire • Si le problème persiste, contactez le service agréé
	<ul style="list-style-type: none"> • La torche et/ou les consommables peuvent ne pas être correctement sélectionnés ou installés 	<ul style="list-style-type: none"> • Assurez-vous que la torche et/ou les consommables sont utilisés et installés correctement • Si le problème persiste, contactez le service agréé
	<ul style="list-style-type: none"> • Le mode de découpe est peut-être mal sélectionné 	<ul style="list-style-type: none"> • Assurez-vous que le mode de découpe est correct • Si le problème persiste, contactez le service agréé
	<ul style="list-style-type: none"> • La valeur d'intensité du courant utilisée peut être sélectionnée de manière incorrecte 	<ul style="list-style-type: none"> • La valeur du courant doit être choisie en fonction du matériau à découper (épaisseur et type de matériau) • Si le problème persiste, contactez le service agréé
	<ul style="list-style-type: none"> • La vitesse et l'épaisseur de découpe adaptées aux performances de la machine peuvent avoir été dépassées 	<ul style="list-style-type: none"> • Assurez-vous que la vitesse et l'épaisseur de découpe sont appropriées • Si le problème persiste, contactez le service agréé
	<ul style="list-style-type: none"> • La hauteur ou l'angle de la torche par rapport à la pièce à travailler peut être incorrect 	<ul style="list-style-type: none"> • Assurez-vous que la hauteur et l'angle de la torche par rapport à la pièce à travailler sont corrects • Si le problème persiste, contactez le service agréé
	<ul style="list-style-type: none"> • La direction de la découpe peut être incorrecte 	<ul style="list-style-type: none"> • Assurez-vous que le sens de découpe est correct • Si le problème persiste, contactez le service agréé

4.3 Codes d'incident

La liste ci-dessous contient tous les codes d'erreur des machines de soudage. Examinez les codes d'erreur liés à votre machine.

FR

Code d'incident	Incident	Cause	Solution
E01	Protection thermique (primaire)	<ul style="list-style-type: none"> Le temps de fonctionnement de votre machine a peut-être été dépassé 	<ul style="list-style-type: none"> Laissez la machine refroidir en attendant un moment. Si le défaut disparaît, essayez d'utiliser la machine à des valeurs d'ampérage inférieures Si le problème persiste, contactez le service agréé
		<ul style="list-style-type: none"> Le ventilateur peut ne pas fonctionner 	<ul style="list-style-type: none"> Vérifiez visuellement si le ventilateur fonctionne ou non Si le problème persiste, contactez le service agréé
		<ul style="list-style-type: none"> L'avant des conduits d'entrée et de sortie d'air est peut-être obstrué 	<ul style="list-style-type: none"> Ouvrez l'avant des conduits d'air Si le problème persiste, contactez le service agréé
		<ul style="list-style-type: none"> L'environnement de travail de la machine peut être trop chaud 	<ul style="list-style-type: none"> Assurez-vous que l'environnement de travail de la machine n'est pas excessivement chaud ou étouffant Si le problème persiste, contactez le service agréé
E02	Tension d'alimentation basse	<ul style="list-style-type: none"> La tension d'alimentation peut avoir diminué 	<ul style="list-style-type: none"> Vérifiez les câbles de connexion au réseau et la tension. Assurez-vous que l'entrée de tension correcte est fournie. Si la tension d'alimentation est normale, contactez le service agréé
E03	Tension d'alimentation élevée	<ul style="list-style-type: none"> La tension d'alimentation peut avoir augmenté 	<ul style="list-style-type: none"> Vérifiez les câbles de connexion au réseau et la tension. Assurez-vous que l'entrée de tension correcte est fournie. Si la tension d'alimentation est normale, contactez le service agréé
E04	Erreur de lecture du courant/de la tension	<ul style="list-style-type: none"> Il peut y avoir une erreur matérielle 	<ul style="list-style-type: none"> Contactez le service agréé
E05	Erreur de lecture du capteur de température	<ul style="list-style-type: none"> Il peut y avoir une erreur matérielle 	<ul style="list-style-type: none"> Contactez le service agréé
E06	Erreur de l'unité de refroidissement à l'eau	<ul style="list-style-type: none"> Il peut y avoir une erreur dans l'unité de refroidissement à l'eau 	<ul style="list-style-type: none"> Vérifiez le connecteur de l'unité de refroidissement à l'eau et les entrées/sorties de la torche Assurez-vous que l'eau circule Si le problème persiste, contactez le service agréé
E07	Erreur système	<ul style="list-style-type: none"> Il peut y avoir une erreur matérielle 	<ul style="list-style-type: none"> Contactez le service agréé
E08			
E09			
E10	Erreur de connexion de la torche	<ul style="list-style-type: none"> La torche ou les connexions de la torche peuvent être défectueuses 	<ul style="list-style-type: none"> Vérifiez la torche et les connexions de la torche Si le problème persiste, contactez le service agréé

Code d'incident	Incident	Cause	Solution
E11	Erreur système	• Il peut y avoir une erreur matérielle	• Contactez le service agréé
E12			
E13	Erreur du dévidoir	• Il peut y avoir une erreur dans le dévidoir	<ul style="list-style-type: none"> • Vérifiez les connexions du panier en fil métallique, de la bobine/presse à bobines et de la torche • Si le problème persiste, contactez le service agréé
E14	Erreur système	• Il peut y avoir une erreur matérielle	• Contactez le service agréé
E15	Erreur de communication de la télécommande	• Il peut y avoir une erreur dans les connexions de la télécommande	<ul style="list-style-type: none"> • Vérifiez les connexions de la télécommande • Si le problème persiste, contactez le service agréé
E16	Erreur système	• Il peut y avoir une erreur matérielle	• Contactez le service agréé
E17			
E18			
E19	Protection thermique (secondaire)	• Le temps de fonctionnement de votre machine a peut-être été dépassé	<ul style="list-style-type: none"> • Laissez la machine refroidir en attendant un moment. Si le défaut disparaît, essayez d'utiliser la machine à des valeurs d'ampérage inférieures • Si le problème persiste, contactez le service agréé
		• Le ventilateur peut ne pas fonctionner	<ul style="list-style-type: none"> • Vérifiez visuellement si le ventilateur fonctionne • Si le problème persiste, contactez le service agréé
		• L'avant des conduits d'entrée et de sortie d'air peut être obstrué	<ul style="list-style-type: none"> • Débloquez l'avant des conduits d'air • Si le problème persiste, contactez le service agréé
		• L'environnement de travail de la machine peut être trop chaud ou étouffant	<ul style="list-style-type: none"> • Assurez-vous que l'environnement de travail de la machine n'est pas excessivement chaud ou étouffant • Si le problème persiste, contactez le service agréé
E20	Erreur système	• Il peut y avoir une erreur matérielle	• Contactez le service agréé
E21			
E22			
E23			
E26	Pression d'entrée basse	• La pression d'entrée peut être basse	<ul style="list-style-type: none"> • Vérifiez vos connexions air/gaz, assurez-vous que la pression d'entrée est appropriée. Si la pression d'entrée est normale, contactez le service agréé
E27	Blindage de la torche non installé	• Le blindage de la torche n'est peut-être pas installé ou correctement fixé	<ul style="list-style-type: none"> • Assurez-vous que le blindage de la torche est correctement installé sur la machine • Si le problème persiste, contactez le service agréé

Code d'incident	Incident	Cause	Solution
E28	Erreur système	<ul style="list-style-type: none">• Il peut y avoir une erreur matérielle	<ul style="list-style-type: none">• Contactez le service agréé
E29	Tension du jeu de barres CC basse	<ul style="list-style-type: none">• La tension d'alimentation peut avoir diminué	<ul style="list-style-type: none">• Vérifiez les câbles de connexion au réseau et la tension. Assurez-vous que l'entrée de tension correcte est fournie. Si la tension d'alimentation est normale, contactez le service agréé
E30	Tension du jeu de barres CC haute	<ul style="list-style-type: none">• La tension d'alimentation peut avoir augmenté	<ul style="list-style-type: none">• Vérifiez les câbles de connexion au réseau et la tension. Assurez-vous que l'entrée de tension correcte est fournie. Si la tension d'alimentation est normale, contactez le service agréé
E31	Erreur système	<ul style="list-style-type: none">• Il peut y avoir une erreur matérielle	<ul style="list-style-type: none">• Contactez le service agréé

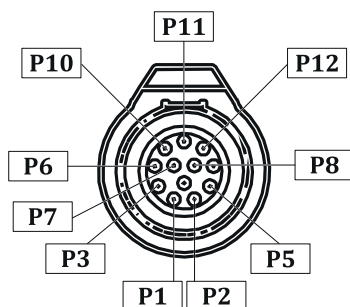
FR



ANNEXE

5.1 Schéma de Connexion de l'Automatisation de La Découpe Plasma

FR

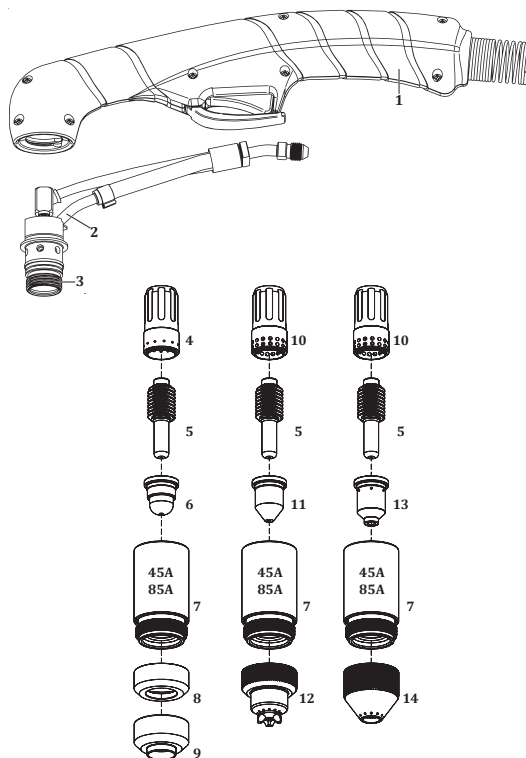


Vue de face

N° DE BROCHE	CÂBLE	NOM DE LA CONNEXION	EXPLICATION
1	Jaune	Approbation de l'arc	Contact normalement ouvert. Lorsque l'arc de plasma se forme, le contact s'éteint. (Maxi. : 220 VCC 2 A)
3	Brun		
2	Vert	Démarrage (déclencheur)	Tension de 24 VCC en circuit ouvert. Nécessite une fermeture par contact sec pour être activé.
5	Blanc		
6	Blindage	Terre	Pour la sécurité de l'équipement, il est recommandé de le connecter au point de mise à la terre de votre système.
7	Rouge	Vo (+)	La machine adapte la tension de sortie au système de commande. Elle donne des sorties divisées de 20:1, 21,1:1, 30:1, 40:1, 50:1.
8	Noir	Vo (-)	
10	Gris	ModBus A	ModBUS-RTU / 19 200 bps / 8N1 (cette fonction est uniquement disponible pour le modèle PX)
11	Rose	ModBus B	
12	Bleu	ModBus GND	

5.2 Consommables et Pièces de Rechange de La Torche Manuelle

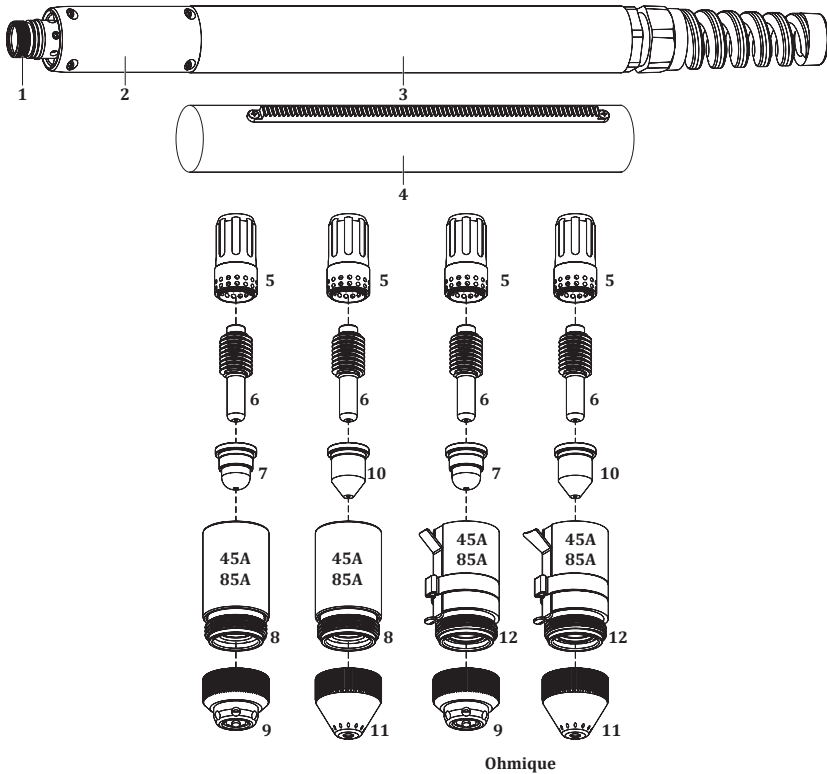
FR



Découpe de précision Découpe normale Gougeage

N°	DESCRIPTION	CODE MATÉRIEL
1	Poignée de la torche	Y542000019
2	Tête de la torche	Y542000016
3	Joint torique	Y542000018
4	Diffuseur	7042220947
5	Électrode	7042E00001
6	Buse	7042220930
7	Capuchon de retenue	7042220854
8	Blindage	7042220955
9	Blindage	7042220931
10	Diffuseur (standard)	7042220857
11	Buse	7042220819
12	Blindage	7042220818
13	Buse	70422208NG
14	Blindage	70422209SG

5.3 Consommables et Pièces de Rechange de La Torche Mécanisée

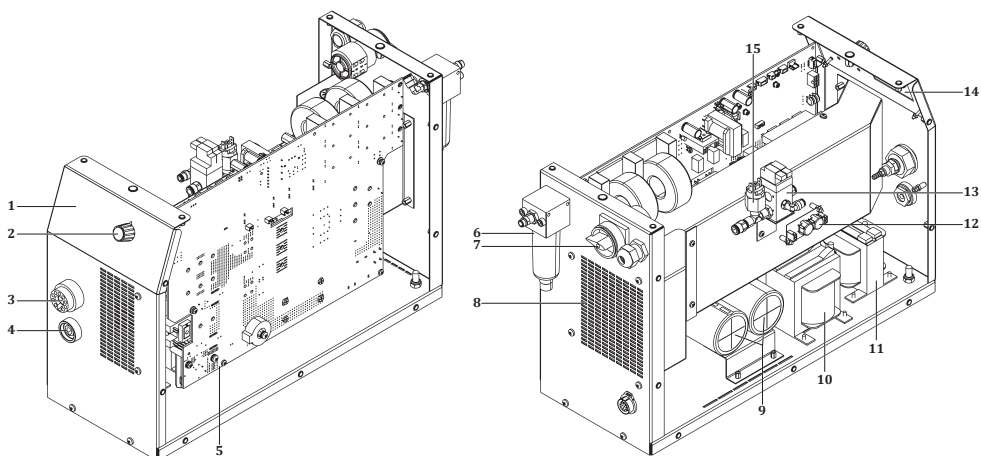


N°	DESCRIPTION	CODE MATÉRIEL
1	Joint torique	Y542000018
2	Tête de la torche	Y542000017
3	Positionneur de torche (standard)	Y542000020
4	Positionneur de torche	7942000010
5	Diffuseur (standard)	7042220857
6	Électrode	7042E00001
7	Buse	7042220930
8	Capuchon de retenue	7042220854
9	Blindage	7042220948
10	Buse	7042220819
11	Blindage	7042220817
12	Buse	7042220953

5.4 Liste Des Pièces de Rechange de La Machine de Découpe Plasma

ID 65 PX

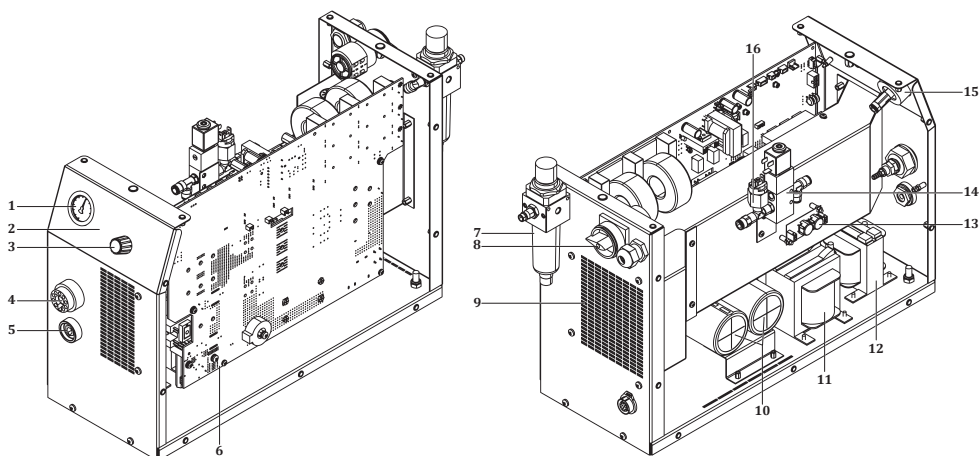
FR



N°	DESCRIPTION	ID 65 PX
1	Étiquette de Membrane	K109900170
2	Bouton Potentiel	A229500001
3	Connecteur pour torche à plasma	K309000033
4	Prise de soudage	A377900103
5	Carte Électronique E230A-1 V2.3	K405000330
6	Filtre	A256001242
7	Interrupteur Pacco	A308000017
8	Ventilateur	A250001141
9	Condensateur électrolytique	A420200016
10	Transformateur de puissance	A366000034
11	Bobine de blocage	A421050007
12	Carte Électronique E230A-4 V1.0	K405000327
13	Soupape	A253003050
14	Carte Électronique E230A-2 V1.3	K405000329
15	Pressostat	A253001150

ID 65 P

FR

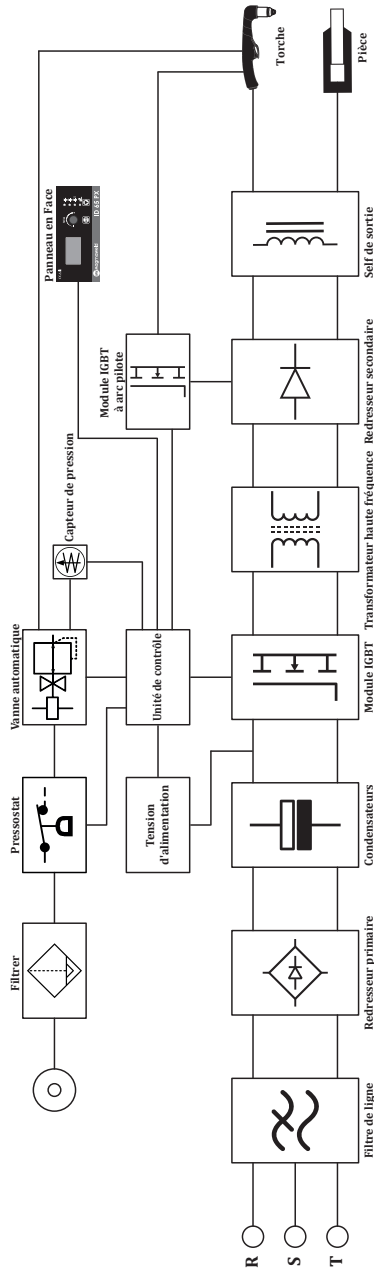


N°	DESCRIPTION	ID 65 P
1	Manomètre	A827000017
2	Étiquette de Membrane	K109900171
3	Bouton Potentiel	A229500001
4	Connecteur pour torche à plasma	K309000033
5	Prise de soudage	A377900103
6	Carte Électronique E230A-1 V2.3	K405000330
7	Filtre	A256001240
8	Interrupteur Pacco	A308000017
9	Ventilateur	A250001141
10	Condensateur électrolytique	A420200016
11	Transformateur de puissance	A366000034
12	Bobine de blocage	A421050007
13	Carte Électronique E230A-4 V1.0	K405000327
14	Soupape	A253001151
15	Carte Électronique E230A-1 V1.1	K405000328
16	Pressostat	A253001150

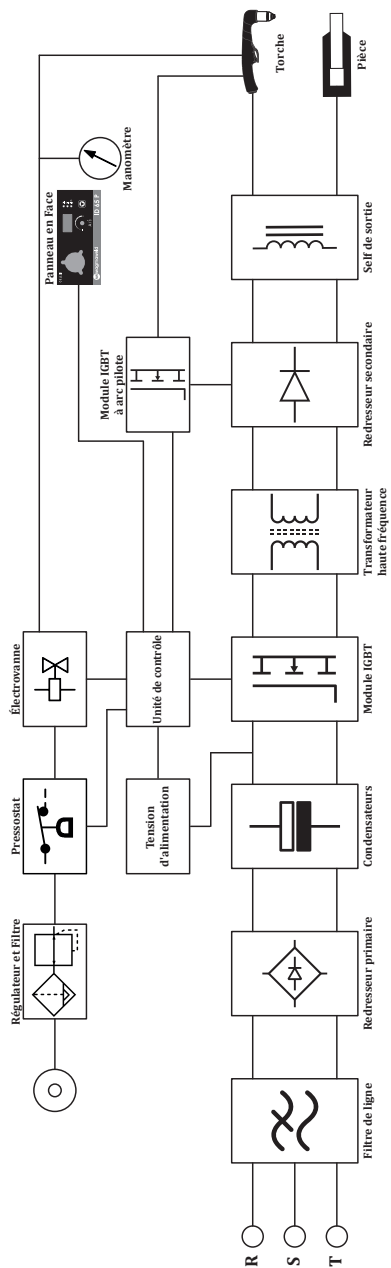
5.5 Schémas de Connexion

Diagramme ID 65 PX

FR



ID 65 P

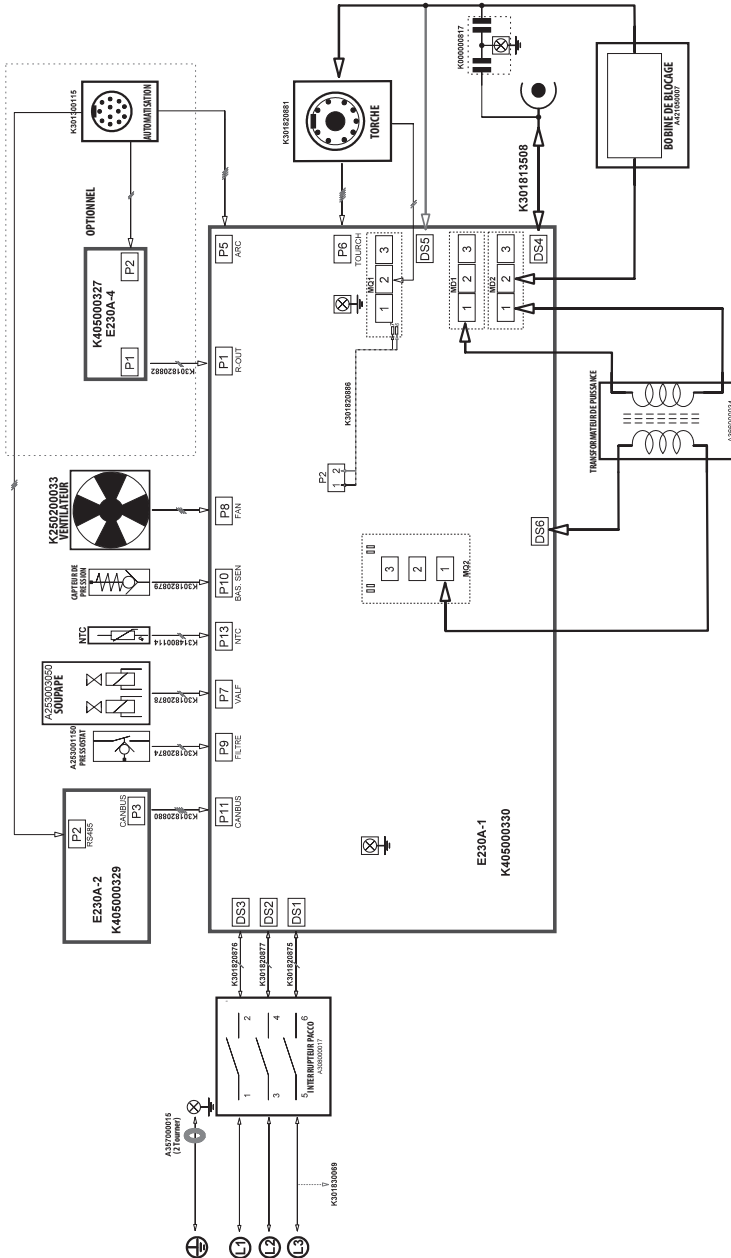


FR

Schémas de circuits

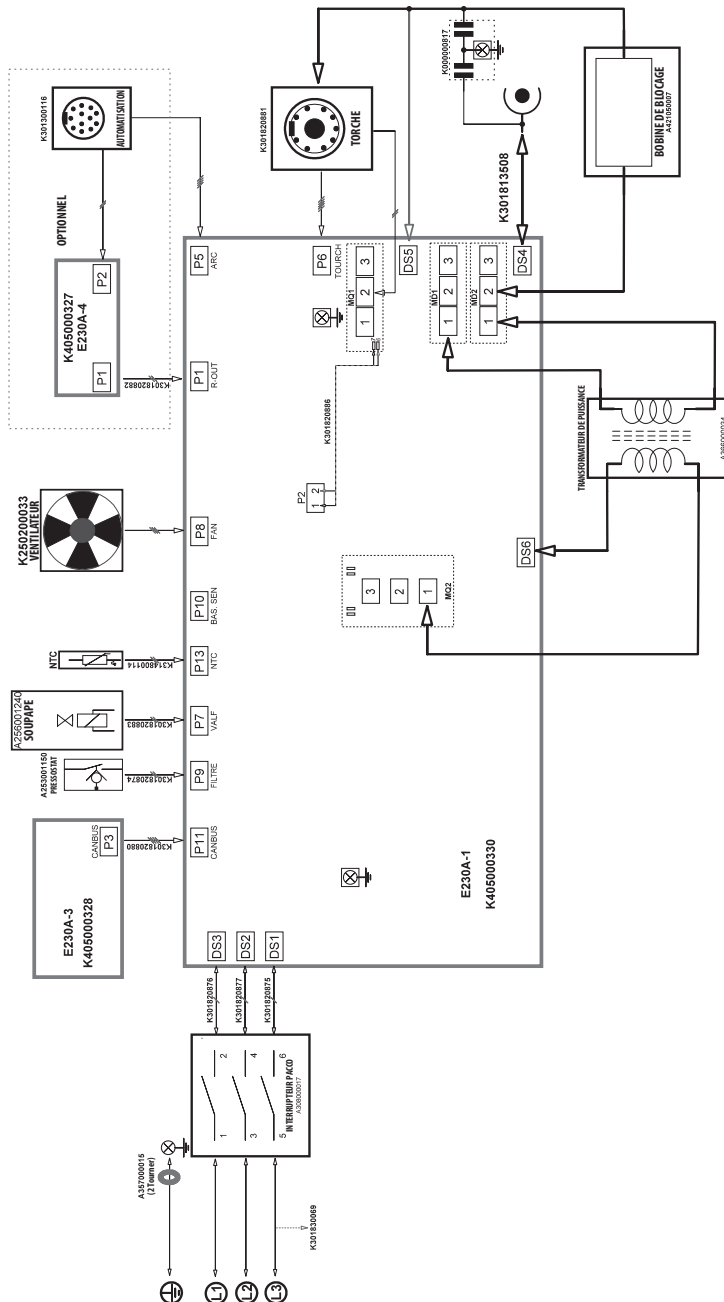
ID 65 PX

FR



ID 65 P

FR



INFORMATION PRODUIT

Modèle

Numéro de série

FABRICANT

Nom

MAGMA MEKATRONİK MAKİNE SANAYİ VE TİCARET A.Ş.

Adresse

Organize Sanayi Bölgesi 5. Kısım MANİSA

Téléphone / Courriel

+90 236 226 27 00 / info@magmaweld.com

INFORMATIONS D'ACHAT

Nom du revendeur

Ville / Pays

Téléphone / Courriel

Date d'achat

INFORMATIONS CLIENT

Nom de l'entreprise

Ville / Pays

Téléphone / Courriel

Nom du contact

INFORMATIONS SUR LA MISE EN ROUTE (le cas échéant)Nom de l'entreprise de la
mise en route

Nom du technicien

Date de la mise en route
(Date de début de garantie)

Veuillez visiter notre site web www.magmaweld.fr/conditions-de-garantie/wt
pour les conditions de garantie.

 **INHALT**

	SICHERHEITSVORSCHRIFTEN	84
1	TECHNISCHE DATEN	
1.1	Allgemeine Erläuterungen	91
1.2	Maschinenkomponenten	91
1.3	Produktkennzeichnung	93
1.4	Technische Spezifikationen	94
1.5	Zubehör	94
2	INSTALLATIONSHINWEISE	
2.1	Zu beachtende Punkte beim Empfang	95
2.2	Empfehlungen für Installation und Betrieb	95
2.3	Netzsteckeranschluss	96
2.4	Anschluss an das Stromnetz	96
2.5	Anschlüsse für das Plasmaschneiden	96
2.5.1	Gasanschlüsse	96
2.5.2	Anschlüsse für Erdungsklemmen	96
2.5.3	Brenneranschlüsse	97
2.6	Platzierung der Verbrauchsmaterialien	97
2.7	Pilotbogen	98
2.8	Fernsteuerung	98
3	NUTZUNGSINFORMATIONEN	
3.1	Benutzeroberfläche	101
3.2	Brennerbetrieb	105
4	WARTUNGS- UND STÖRUNGSINFORMATIONEN	
4.1	Wartung	106
4.2	Fehlersuche	107
4.3	Fehlercodes	109
5	ANHÄNGE	
5.1	Anschlussplan für die Automatisierung des Plasmaschneidens	112
5.2	Handbrenner Verbrauchsmaterial und Ersatzteile	113
5.3	Mechanisierte Brenner Verbrauchsmaterialien und Ersatzteile	114
5.4	Ersatzteilliste für Plasmaschneider	115
5.5	Anschlussdiagramme	117

SICHERHEITSVORSCHRIFTEN

Befolgen Sie alle Sicherheitsvorschriften in dieser Bedienungsanleitung!

Sicherheitsinformationen Identifizierung



- Die Sicherheitssymbole in dieser Bedienungsanleitung werden verwendet, um potenzielle Gefahren zu identifizieren.
- Bei jedem Sicherheitssymbol in dieser Bedienungsanleitung müssen Sie beachten, dass ein Verletzungsrisiko besteht und die folgenden Erläuterungen sorgfältig lesen, um mögliche Gefahren zu vermeiden.
- Der Maschinenbesitzer ist dafür verantwortlich, dass Unbefugte keinen Zugriff auf das Gerät haben.
- Personen, die diese Maschine benutzen, müssen im Schweißen/Schneiden erfahren oder geschult sein und müssen vor der Arbeit die Bedienungsanleitung lesen und die Sicherheitshinweise beachten.

Sicherheitssymbole Kennzeichnung



VORSICHT

Weist auf eine potenziell gefährliche Situation hin, die zu Verletzungen oder Schäden führen kann. Die Nichtbeachtung von Vorsichtsmaßnahmen kann zu Verletzungen oder Materialverlusten/-schäden führen.



WICHTIG

Weist auf Informationen und Warnungen zur Verwendung hin.



GEFAHR

Zeigt eine ernste Gefahr an. Die Nichtbeachtung kann zum Tod oder zu schweren Verletzungen führen.

Sicherheitshinweise begreifen



- Lesen Sie die Bedienungsanleitung und die Kennzeichnungen und Sicherheitshinweise auf dem Gerät sorgfältig durch.
- Vergewissern Sie sich, dass die Warnschilder an der Maschine in gutem Zustand sind. Ersetzen Sie fehlende oder beschädigte Etiketten.
- Lernen Sie, wie man die Maschine bedient, wie man die Kontrollen richtig vornimmt.
- Verwenden Sie Ihre Maschine in einer geeigneten Arbeitsumgebung.
- Unsachgemäße Änderungen an Ihrer Maschine haben negative Auswirkungen auf den sicheren Betrieb und die Lebensdauer Ihrer Maschine.
- Der Hersteller ist nicht verantwortlich für die Folgen des Betriebs der Maschine außerhalb der angegebenen Bedingungen.

Stromschlag Tödlich



Stellen Sie sicher, dass die Installationsverfahren den nationalen elektrischen Normen und anderen relevanten Vorschriften entsprechen und dass die Maschine von.

- Tragen Sie trockene und robuste isolierte Handschuhe und eine Arbeitsschürze. Verwenden Sie niemals nasse oder beschädigte Handschuhe und Arbeitsschürzen.
- Tragen Sie flammhemmende Schutzkleidung gegen die Gefahr von Verbrennungen. Die vom Bediener getragene Kleidung muss gegen Funken, Spritzer und Lichtbogenstrahlung geschützt sein.
- Arbeiten Sie nicht allein. Vergewissern Sie sich, dass es in Ihrem Arbeitsumfeld jemanden gibt, an den Sie sich im Falle einer Gefahr wenden können.
- Berühren Sie die Elektrode nicht mit bloßen Händen. Achten Sie darauf, dass die Elektrodenklemme oder die Elektrode nicht mit einer Person oder einem geerdeten Gegenstand in Berührung kommt.
- Berühren Sie niemals stromführende Teile.
- Berühren Sie niemals die Elektrode, wenn Sie mit der Elektrode mit der Arbeitsfläche, dem Boden oder einer anderen Maschine verbunden sind.
- Schützen Sie sich vor möglichen elektrischen Schlägen, indem Sie sich von der Arbeitsfläche und dem Boden isolieren. Verwenden Sie nicht brennbares, elektrisch isolierendes, trockenes und unbeschädigtes Isoliermaterial, das groß genug ist, um den Kontakt des Bedieners mit der Arbeitsfläche zu verhindern.
- Schließen Sie nicht mehr als eine Elektrode an die Elektrodenzange an.
- Schließen Sie die Erdungszange so nah wie möglich an das Werkstück oder den Werkstisch an, so dass ein guter Metall-Metall-Kontakt besteht.

- Überprüfen Sie den Brenner, bevor Sie die Maschine starten. Vergewissern Sie sich, dass der Brenner und seine Kabel in gutem Zustand sind. Ersetzen Sie immer einen beschädigten, abgenutzten Brenner.
- Berühren Sie nicht die Elektrodenzange, die an 2 verschiedene Geräte gleichzeitig angeschlossen ist, da sonst ein doppelte Leerlaufspannung entsteht.
- Schalten Sie die Maschine aus, wenn sie nicht benutzt wird, und ziehen Sie die Kabel ab.
- Ziehen Sie alle Stromanschlüsse und/oder Anschlussstecker ab oder schalten Sie die Maschine aus, bevor Sie sie reparieren.
- Seien Sie vorsichtig, wenn Sie ein langes Netzkabel verwenden.
- Stellen Sie sicher, dass alle Anschlüsse fest, sauber und trocken sind.
- Stellen Sie sicher, dass die Kabel trocken, sauber und fettfrei sind. Schützen Sie sich vor heißen Metallteilen und Funken.
- Unisolierte, blanke Kabel stellen eine tödliche Gefahr dar. Überprüfen Sie alle Kabel regelmäßig auf mögliche Schäden. Wenn Sie ein beschädigtes oder nicht isoliertes Kabel finden, reparieren oder ersetzen Sie es sofort.
- Wenn die Erdungszange nicht mit dem Werkstück verbunden ist, isolieren Sie sie, um den Kontakt mit einem Metallgegenstand zu vermeiden.
- Stellen Sie sicher, dass die Stromleitung korrekt geerdet ist.
- Verwenden Sie die AC-Schweißsteckdose nicht in nassen, feuchten oder beengten Räumen und an Orten, an denen die Gefahr eines Sturzes besteht.
- Verwenden Sie den AC-Ausgang nur, wenn er für den Schweißprozess erforderlich ist.
- Wenn Sie einen Wechselstromausgang benötigen, verwenden Sie die Fernbedienung, falls Ihre Maschine mit einer solchen ausgestattet ist.

Treffen Sie besondere Sicherheitsvorkehrungen, wenn eine der folgenden elektrisch gefährlichen Bedingungen vorliegt;

- Wenn Sie sich an feuchten Orten aufhalten oder nasse Kleidung tragen,
- Wenn Sie sich auf Metallböden, Gitterrosten oder Gerüsten befinden,
- In beengten Positionen wie dem Sitzen, Knien oder Liegen,
- Wenn das Risiko eines Kontakts mit dem Werkstück oder dem Boden hoch oder unvermeidbar ist. Die folgenden Geräte können in diesen Fällen verwendet werden;
- Halbautomatisches DC-Konstantspannungs (CV) MIG - Schweißmaschine,
- DC-Handschweißmaschine mit ummantelter Elektrode,
- Gleich- oder Wechselstromschweißmaschine mit niedriger Leerlaufspannung (VRD), falls vorhanden.

Was Sie im Falle eines Stromschlags tun müssen



- Schalten Sie den Strom ab.
- Zur Rettung des Opfers vor einem Stromschlag durch stromführende Kabel oder Teile Verwenden Sie nicht-leitende Materialien wie trockenes Holz.
- Rufen Sie den Notdienst an.

Wenn Sie eine Erste-Hilfe-Ausbildung haben;

- Wenn die Person nicht atmet, führen Sie sofort eine Herz-Lungen-Wiederbelebung (HLW) durch, nachdem der Kontakt mit der Stromquelle unterbrochen ist. Setzen Sie die HLW fort, bis die Atmung einsetzt oder Hilfe eintrifft.
- Wenn ein automatischer elektronischer Defibrillator (AED) zur Verfügung steht, verwenden Sie ihn wie vorgeschrieben.
- Behandeln Sie eine elektrische Verbrennung wie eine thermische Verbrennung, indem Sie eine kalte Kompresse anlegen. Vermeiden Sie eine Infektion und decken Sie sie mit einem sauberen, trockenen Tuch ab.

Bewegliche Teile können Verletzungen verursachen



- Halten Sie sich von sich bewegenden Objekten fern.
- Halten Sie alle Abdeckungen, Verkleidungen, Türen usw. von Maschinen und Geräten geschlossen und verriegelt.
- Tragen Sie Schuhe mit Metallkappen, falls schwere Gegenstände herunterfallen.

Dämpfe und Gase können schädlich für Ihre Gesundheit sein



Längeres Einatmen von Dämpfen und Gasen, die beim Schweißen und Schneiden entstehen, ist sehr gefährlich

- Brennen und Reizungen der Augen, der Nase und des Rachens sind Symptome einer schlechten Belüftung. Erhöhen Sie in einem solchen Fall sofort die Belüftung und stellen Sie das Schweißen/Schneiden ein, wenn das Problem weiterhin besteht.
- Sorgen Sie für ein natürliches oder künstliches Belüftungssystem im Arbeitsbereich.

- Verwenden Sie beim Schweißen/Schneiden ein geeignetes Rauchabzugssystem. Installieren Sie gegebenenfalls ein System, das die in der gesamten Werkstatt angesammelten Dämpfe und Gase absaugen kann. Verwenden Sie ein geeignetes Filtersystem, um eine Verschmutzung der Umwelt beim Ablassen zu vermeiden.
- Wenn Sie in engen und geschlossenen Räumen arbeiten oder Blei, Beryllium, Kadmium, Zink, beschichtete oder lackierte Materialien schweißen, verwenden Sie zusätzlich zu den oben genannten Vorsichtsmaßnahmen Masken, die für frische Luft sorgen.
- Wenn Gasflaschen in einem separaten Bereich untergebracht sind, sorgen Sie dafür, dass diese Bereiche gut belüftet sind, halten Sie die Hauptventile geschlossen, wenn die Gasflaschen nicht in Gebrauch sind, und achten Sie auf Gaslecks.
- Schutzgase wie Argon sind dichter als Luft und können bei der Verwendung in geschlossenen Räumen anstelle von Luft eingeatmet werden. Dies ist gefährlich für Ihre Gesundheit.
- Führen Sie keine Schweiß-/Schneidearbeiten in Gegenwart von Chlorkohlenwasserstoffdämpfen aus Schmier- oder Lackierprozessen durch.
- Einige geschweißte/geschnittene Teile erfordern eine besondere Belüftung. Die Sicherheitsvorschriften für Produkte, die eine besondere Belüftung erfordern, sollten Sie sorgfältig lesen. In Fällen, in denen eine Gasmasken erforderlich ist, muss die entsprechende Gasmasken getragen werden.

Spritzwasser und Lichtbogen können schädlich für Ihre Augen und Haut sein



- Um Ihre Augen und Ihr Gesicht zu schützen, tragen Sie eine standardisierte Schutzmaske und einen geeigneten Glasfilter.
- Schützen Sie andere exponierte Körperteile (Arme, Hals, Ohren usw.) durch geeignete Schutzkleidung vor Spritzern und Lichtbogenstrahlen.
- Schließen Sie Ihren Arbeitsbereich mit flammensicheren Abschirmungen über Augenhöhe ab und hängen Sie Warnschilder auf, um die Menschen in Ihrer Umgebung vor Lichtbögen und heißen Metallen zu schützen.
- Sie wird nicht zum Heizen von gefrorenen Rohren verwendet. Dieses Verfahren mit einem Schweiß-/Schneidegerät kann zu Explosionen, Feuer oder Schäden an Ihrer Anlage führen.

Funken und Spritzer können Ihre Augen verletzen



- Arbeiten wie Schweißen/Schneiden, Oberflächenschleifen, Bürsten usw. verursachen Funken und Spritzer von Metallpartikeln. Tragen Sie eine zugelassene Arbeitsschutzbrille mit Kantenschutz unter der Schutzmaske, um mögliche Verletzungen zu vermeiden.

Heiße Teile können schwere Verbrennungen verursachen



- Berühren Sie heiße Teile nicht mit bloßen Händen.
- Lassen Sie die Maschinenteile abkühlen, bevor Sie an ihnen arbeiten.
- Wenn Sie mit heißen Teilen hantieren müssen, verwenden Sie geeignete Werkzeuge, Schweiß-/Schneidhandschuhe mit hoher Wärmedämmung und feuerfeste Kleidung.

Lärm kann Ihr Gehör schädigen



- Der von einigen Maschinen und Prozessen erzeugte Lärm kann Ihr Gehör schädigen.
- Wenn der Lärmpegel hoch ist, tragen Sie einen zugelassenen Gehörschutz.

Schweißdraht kann zu Verletzungen führen



- Richten Sie den Brenner beim Abwickeln der Schweißdrahtspule nicht auf einen Körperteil, andere Personen oder Metall.
- Wenn Sie den Schweißdraht mit der Hand von der Spule abwickeln, vor allem bei dünnen Durchmessern, kann der Draht wie eine Feder aus Ihrer Hand fliegen und Sie oder andere Personen in Ihrer Umgebung verletzen, schützen Sie dabei besonders Ihre Augen und Ihr Gesicht.

Schweißen / Schneiden kann zu Bränden und Explosionen führen



- Schweißen / schneiden Sie niemals in der Nähe von brennbaren Materialien. Es kann zu Bränden oder Explosionen kommen.
- Bevor Sie mit dem Schweißen/Schneiden beginnen, entfernen Sie diese Materialien aus der Umgebung oder decken Sie sie mit Schutzabdeckungen ab, um zu verhindern, dass sie brennen und sich entzünden.
- In diesen Bereichen gelten besondere nationale und internationale Vorschriften.

- Schweißen/schneiden Sie keine vollständig verschlossenen Rohre oder Leitungen.
- Öffnen, entleeren, belüften und reinigen Sie Rohre und geschlossene Behälter vor dem Schweißen/Schneiden vollständig. Gehen Sie beim Schweißen/Schneiden an solchen Stellen mit größtmöglicher Sorgfalt vor.
- Schweißen / schneiden Sie nicht, auch nicht im leeren Zustand, an Rohren und Schläuchen, die zuvor entleert, entleert, die Explosionen, Feuer oder andere Reaktionen verursachen können.
- Während des Schweiß-/Schneidevorgangs entstehen hohe Temperaturen. Stellen Sie es daher nicht auf Oberflächen, die leicht verbrannt oder beschädigt werden können!

- Funken und umherfliegende Splitter können einen Brand verursachen. Bewahren Sie daher Materialien wie Feuerlöschschläuche, Wasser und Sand griffbereit auf.
- Verwenden Sie Rückflussverhinderer, Gasregler und Ventile für entflammbare, explosive und unter Druck stehende Gaskreisläufe. Stellen Sie sicher, dass diese regelmäßig überprüft werden und ordnungsgemäß funktionieren.

Wartung von Maschinen und Geräten durch Unbefugte kann Verletzungen verursachen



- Elektrische Anlagen dürfen nicht von Unbefugten repariert werden. Infolge von hier möglicherweise begangenen Fehlern können Explosionen auftreten und Benutzer können schwer verletzt werden.
- Die Gaskreiselemente arbeiten unter Druck; die Wartung durch Unbefugte kann zu Explosionen und schweren Verletzungen der Benutzer führen.
- Es wird empfohlen, die Maschine und ihre Nebenaggregate mindestens einmal pro Jahr technisch zu warten.

Schweißen / Schneiden in kleinen Räumen mit begrenztem Volumen



- Führen Sie Schweiß-/Schneidarbeiten in kleinen Mengen und engen Räumen immer in Anwesenheit einer anderen Person durch.
- Vermeiden Sie Schweiß- und Schneidarbeiten in solchen geschlossenen Räumen so weit wie möglich.

Die Nichtbeachtung der notwendigen Vorsichtsmaßnahmen beim Transport kann zu Unfällen führen



- Treffen Sie alle notwendigen Vorsichtsmaßnahmen, wenn Sie das Gerät transportieren. Die Bereiche, wohin transportiert wird, die beim Transport eingesetzten Gegenstände und die körperliche Verfassung und Gesundheit der Person, die den Transport durchführt, müssen für den Transportvorgang geeignet sein.
- Einige Maschinen sind extrem schwer, so dass beim Umzug die notwendigen Sicherheitsvorkehrungen für die Umwelt getroffen werden müssen.
- Wenn die Maschine von einer Plattform aus benutzt werden soll, muss geprüft werden, ob die Plattform über geeignete Tragfähigkeitsgrenzen verfügt.
- Wenn die Maschine mit Hilfe eines Fahrzeugs (Wagen, Gabelstapler usw.) transportiert werden soll, vergewissern Sie sich, dass das Fahrzeug und die Verbindungspunkte, die die Maschine mit dem Fahrzeug verbinden (Tragegurt, Gurt, Schraube, Mutter, Rad usw.), stabil sind.
- Wenn Sie die Maschine von Hand transportieren müssen, vergewissern Sie sich, dass die Geräte (Tragegurt, Gürtel usw.) und die Anschlüsse sicher sind.
- Um die notwendigen Transportbedingungen zu gewährleisten, beachten Sie die Regeln der Internationalen Arbeitsorganisation zum Transportgewicht und die in Ihrem Land geltenden Transportvorschriften.
- Benutzen Sie immer die Griffe oder Trageschlaufen, wenn Sie das Netzteil an einen anderen Ort bringen. Ziehen Sie niemals am Brenner, am Kabel oder an den Schläuchen. Tragen Sie Gasflaschen immer separat.
- Entfernen Sie vor dem Transport von Schweiß-/Schneidegeräten alle Verbindungen, heben Sie sie an und transportieren Sie sie einzeln, kleine Geräte an den Griffen, große Geräte an den Trageringen oder mit einem geeigneten Hebezeug wie einem Gabelstapler.

Fallende Bruchstücke können zu Verletzungen führen



Eine unsachgemäße Positionierung des Netzteils oder anderer Geräte kann zu schweren Verletzungen und Sachschäden an anderen Gegenständen führen.

- Stellen Sie Ihre Maschine auf Böden und Plattformen mit einer maximalen Neigung von 10°, damit sie nicht herunterfällt oder umkippt. Bevorzugen Sie Bereiche, die den Materialfluss nicht behindern, in denen keine Gefahr besteht, über Kabel und Schläuche zu stolpern, die unbeweglich sind, sondern große, gut belüftete, staubfreie Bereiche. Um zu verhindern, dass die Gasflaschen umkippen, befestigen Sie sie in Maschinen mit einer für die Flasche geeigneten Gasplattform auf der Plattform und befestigen Sie sie mit einer Kette an der Wand, damit sie bei festem Gebrauch nicht umkippen.
- Ermöglichen Sie den Bedienern einen einfachen Zugriff auf die Einstellungen und Anschlüsse des Geräts.

Übermäßiger Gebrauch führt zur Überhitzung der Maschine



- Lassen Sie das Gerät entsprechend den Betriebszyklen abkühlen.
- Verringern Sie den Strom oder die Einschaltdauer, bevor Sie wieder mit dem Schweißen/Schneiden beginnen.
- Blockieren Sie nicht die Belüftungsöffnungen der Maschine.
- Installieren Sie keine Filter in den Belüftungsöffnungen der Maschine ohne die Genehmigung des Herstellers.

DE

Lichtbogenschweißen kann elektromagnetische Interferenzen verursachen



Diese Maschine entspricht nicht der IEC 61000 -3 - 12. Wenn die Maschine an das in Haushalten verwendete Niederspannungsnetz angeschlossen werden soll, muss der Installateur, der den elektrischen Anschluss vornimmt, oder die Person, die die Maschine benutzen wird, über die Anschlussfähigkeit der Maschine informiert werden; in diesem Fall liegt die Verantwortung beim Benutzer.

- Diese Maschine ist Gruppe 2, Klasse A in den EMV-Tests gemäß der Norm TS EN 55011.
- Diese Maschine der Klasse A ist nicht für die Verwendung in Wohngebieten bestimmt, in denen die Stromversorgung über das Niederspannungsnetz zustande kommt. Möglicherweise gibt es Schwierigkeiten bei der Gewährleistung der elektromagnetischen Kompatibilität aufgrund von Hochfrequenzstörungen, die an solchen Orten übertragen und abgestrahlt werden.
- Stellen Sie sicher, dass der Arbeitsbereich die elektromagnetische Verträglichkeit (EMV) erfüllt. Elektromagnetische Störungen beim Schweißen/Schneiden können unerwünschte Auswirkungen auf Ihre elektronischen Geräte und das Stromnetz haben. Der Benutzer ist für die Auswirkungen verantwortlich, die durch diese Störungen während des Betriebs verursacht werden können.
- Falls Störungen auftreten, können zusätzliche Maßnahmen ergriffen werden, um die Einhaltung der Vorschriften zu gewährleisten, z. B. die Verwendung kurzer Kabel, die Verwendung abgeschirmter (gepanzelter) Kabel, die Verlegung der Maschine, die Entfernung von Kabeln aus dem betroffenen Gerät und/oder Bereich, die Verwendung von Filtern oder der EMV-Schutz des Arbeitsbereichs.
- Um mögliche EMV-Schäden zu vermeiden, sollten Sie Schweiß- und Schneidarbeiten so weit wie möglich (100 m) von Ihren empfindlichen elektronischen Geräten entfernt durchführen.
- Vergewissern Sie sich, dass Ihre Maschine in Übereinstimmung mit der Bedienungsanleitung aufgestellt und positioniert ist.

Bewertung der Gemäß elektromagnetischen Verträglichkeit des Arbeitsbereichs

IEC 60974-9 Abschnitt 5.2.;

Vor der Installation eines Schweiß-/Schneidegeräts muss der Betreiber und/oder der Benutzer eine Prüfung auf mögliche elektromagnetische Störungen in der Umgebung durchführen. Die folgenden Bedingungen müssen beachtet werden.



- Andere Versorgungskabel, Steuerkabel, Signal- und Telefonkabel über, unter und neben dem Schweiß-/Schneidegerät und der Ausrüstung,
- Radio- und Fernsehsender und -empfänger,
- Computer und andere Kontrollgeräte,
- Kritische Sicherheitsausrüstung, z.B. Schutz von Industrieanlagen,
- Medizinische Geräte von Menschen in der Nachbarschaft, z.B. Herzschrittmacher und Hörgeräte,
- Geräte, die zur Messung oder Kalibrierung verwendet werden,
- Störfestigkeit von anderen Geräten in der Umgebung. Der Benutzer muss sicherstellen, dass andere in der Umgebung verwendete Geräte kompatibel sind. Dies kann zusätzliche Schutzmaßnahmen erfordern,
- Die Grenzen des Inspektionsbereichs können je nach Größe der Umgebung, der Gebäudestruktur und anderen Aktivitäten im Gebäude erweitert werden, wobei die Tageszeit, zu der der Schweiß-/Schneidevorgang durchgeführt wird, berücksichtigt wird.

Neben der Bewertung des Gebiets kann auch die Bewertung der Geräteinstallationen für die Behebung der Störung erforderlich sein. Falls erforderlich, können auch Messungen vor Ort durchgeführt werden, um die Effizienz von Minderungsmaßnahmen zu bestätigen.

(Quelle: IEC 60974-9).

Methoden zur Reduzierung von Parasiten



- Das Gerät muss wie empfohlen und von einer autorisierten Person an das Stromnetz angeschlossen werden. Falls Störungen auftreten, können zusätzliche Maßnahmen wie die Filterung des Netzes angewendet werden. Die Versorgung von fest montierten Lichtbogenschweißgeräten muss über ein Metallrohr oder ein gleichwertiges abgeschirmtes Kabel erfolgen. Das Display und das Gehäuse des Netzteils müssen miteinander verbunden sein und es muss ein guter elektrischer Kontakt zwischen den beiden Strukturen bestehen.

- Die empfohlene routinemäßige Wartung des Geräts muss durchgeführt werden. Wenn das Gerät in Gebrauch ist, müssen alle Luken der Motorhaube geschlossen und/oder verriegelt sein. Ohne schriftliche Genehmigung des Herstellers dürfen keine Änderungen oder Modifikationen am Gerät vorgenommen werden, die über die Standardeinstellungen hinausgehen. Andernfalls ist der Benutzer für die Folgen verantwortlich, die daraus entstehen können.
- Schweiß-/Schneidekabel sollten so kurz wie möglich gehalten werden. Sie müssen sich nebeneinander auf dem Boden des Arbeitsbereichs bewegen. Schweiß-/Schneidekabel dürfen in keiner Weise aufgewickelt werden.
- Beim Schweißen/Schneiden wird in der Maschine ein Magnetfeld erzeugt. Dies kann dazu führen, dass das Gerät Metallteile auf sich zieht. Um diese Anziehungskraft zu verhindern, stellen Sie sicher, dass metallische Materialien in einem sicheren Abstand gehalten oder gesichert werden. Der Bediener muss von all diesen miteinander verbundenen Metallmaterialien isoliert sein.
- Wenn das Werkstück aus Gründen der elektrischen Sicherheit oder aufgrund seiner Größe und Lage nicht geerdet ist (z. B. bei der Herstellung von Schiffsrümpfen oder im Stahlbau), kann eine Verbindung zwischen Werkstück und Erde in einigen Fällen die Emissionen verringern. Beachten Sie, dass die Erdung des Werkstücks zu Verletzungen der Benutzer oder zu Fehlfunktionen anderer elektrischer Geräte in der Umgebung führen kann. Wo es erforderlich ist, kann die Verbindung zwischen Werkstück und Erde als Direktverbindung hergestellt werden, aber in einigen Ländern, in denen eine Direktverbindung nicht zulässig ist, kann die Verbindung mit geeigneten Kapazitätselementen gemäß den örtlichen Vorschriften und Bestimmungen hergestellt werden.
- Abschirmung und Umhüllung anderer Geräte und Kabel im Arbeitsbereich können helfen, störende Effekte zu vermeiden. Die Abschirmung der gesamten Schweiß-/Schneidezone kann für einige spezielle Anwendungen in Betracht gezogen werden.

Elektronenmagnetisches Feld (EMF)



Elektrischer Strom, der durch einen Leiter fließt, erzeugt lokalisierte elektrische und magnetische Felder (EMF).

Bediener sollten die folgenden Verfahren befolgen, um das Risiko einer EMF-Exposition zu minimieren;

- Um das Magnetfeld zu reduzieren, sollten Schweiß-/Schneidekabel so weit wie möglich zusammengeführt und mit Verbindungsmaterialien (Klebeband, Kabelbinder usw.) gesichert werden.
- Der Oberkörper und der Kopf des Bedieners sollten so weit wie möglich von der Schweiß-/Schneidemaschine und den Kabeln entfernt gehalten werden,
- Schweiß-/Schneide- und Elektrokabel dürfen in keiner Weise um den Körper gewickelt werden,
- Der Körper darf nicht zwischen den Schweiß-/Schneidekabeln eingeklemmt werden. Beide Schweiß-/Schneidekabel sollten nebeneinander und vom Körper entfernt verlegt werden,
- Das Rücklaufkabel muss so nah wie möglich am Schweiß-/Schneidebereich an das Werkstück angeschlossen werden,
- Lehnen Sie sich nicht gegen das Aggregat, setzen Sie sich nicht darauf und arbeiten Sie nicht zu nahe daran,
- Beim Transport des Aggregats oder der Drahtvorschubeinheit darf nicht geschweißt / geschnitten werden.

EMF können auch die Funktion von medizinischen Implantaten (Material, das in den Körper eingesetzt wird) wie Herzschrittmachern beeinträchtigen. Für Menschen mit medizinischen Implantaten müssen Schutzmaßnahmen getroffen werden. So kann beispielsweise der Zugang für Passanten eingeschränkt werden oder es können individuelle Risikobewertungen für die Betreiber vorgenommen werden. Bei Benutzern mit medizinischen Implantaten sollte eine Risikobewertung und Empfehlung durch einen Arzt erfolgen.

Schutz



- Setzen Sie das Gerät nicht Regen, Spritzwasser oder unter Druck stehendem Dampf aus.

Energie-Effizienz



- Wählen Sie die Methode und die Maschine, die für den Schweiß-/Schneidevorgang geeignet sind, den Sie durchführen möchten.
- Wählen Sie den Strom und / oder die Spannung, die für das Material und die Dicke des zu schweißenden / schneidenden Materials geeignet sind.
- Wenn Sie längere Zeit ohne Schweißen/Schneiden warten, schalten Sie die Maschine aus, nachdem der Ventilator die Maschine abgekühlt hat. Unsere Maschinen mit intelligenter Lüftersteuerung stoppen von selbst.

Abfallverfahren



- Diese Maschine ist kein Hausmüll. Sie muss im Rahmen der Richtlinie der Europäischen Union und des nationalen Rechts auf das Recycling ausgerichtet sein.
- Informieren Sie sich bei Ihrem Händler und bei autorisierten Personen über die Entsorgung Ihrer gebrauchten Maschine.

GARANTIEFORMULAR

DE



Bitte besuchen Sie unsere Website www.magmaweld.com/warranty-form/wr für das Garantieformular.

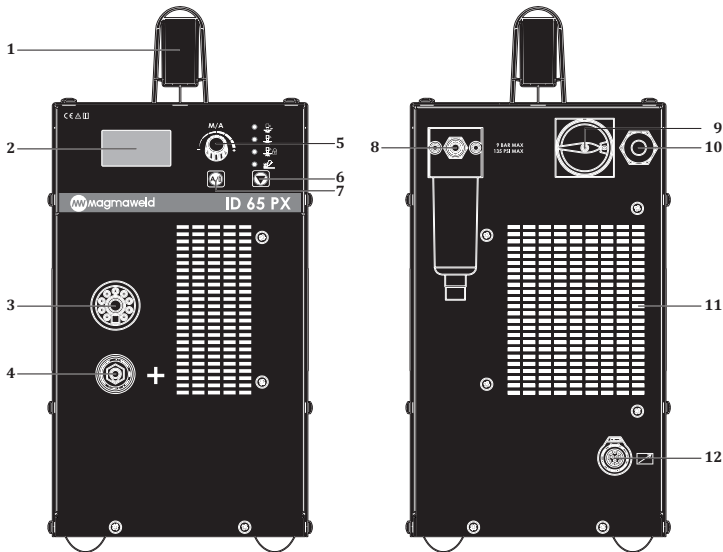
TECHNISCHE DATEN

1.1 Allgemeine Erläuterungen

ID 65 PX und ID 65 P sind hochqualitative Plasmaschneider, die zum Schneiden und Nuten entwickelt wurden. Mit seinem kompakten Design ist er leicht und tragbar. Er bietet eine hervorragende Schneid- und Fugenhobelleistung. Beim Modell ID 65 PX wird der während des Schneidens erforderliche Gasdruck je nach Schneidmodus und verwendetem Brenner automatisch angepasst. Bei dem Modell ID 65 P muss der erforderliche Gasdruck manuell eingestellt werden.

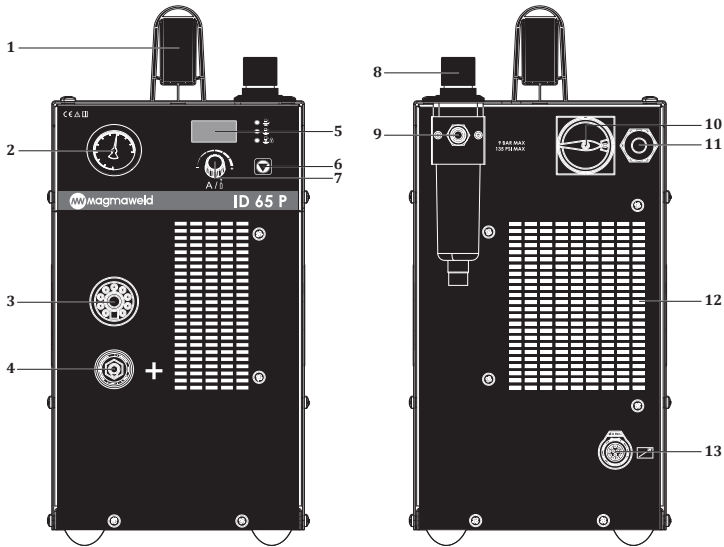
DE

1.2 Maschinenkomponenten



Figur 1 : ID 65 PX Vorder- und Rückansicht




- | | |
|---------------------------------------|-------------------------------------|
| 1- Handgriff | 7- Strom-/Gas-Auswahltaste |
| 2- Digitales Display | 8- Luftfilter |
| 3- Brenneranschluss | 9- Ein / Aus-Schalter |
| 4- Erdungsanschluss (+) | 10- Stromanschluss |
| 5- Potentiometer | 11- Ventilator |
| 6- Taste zur Auswahl des Schneidmodus | 12- Anschluss für die Fernbedienung |






Figur 2 : ID 65 P Vorder- und Rückansicht

- | | |
|---------------------------------------|---------------------------------------|
| 1- Handgriff | 8- Topf zur Einstellung des Gasdrucks |
| 2- Manuelles Gasdruckmessgerät | 9- Luftfilter |
| 3- Brenneranschluss | 10- Ein / Aus-Schalter |
| 4- Erdungsanschluss (+) | 11- Stromanschluss |
| 5- Digitales Display | 12- Ventilator |
| 6- Taste zur Auswahl des Schneidmodus | 13- Anschluss für die Fernbedienung |
| 7- Potentiometer | |

1.3 Produktkennzeichnung

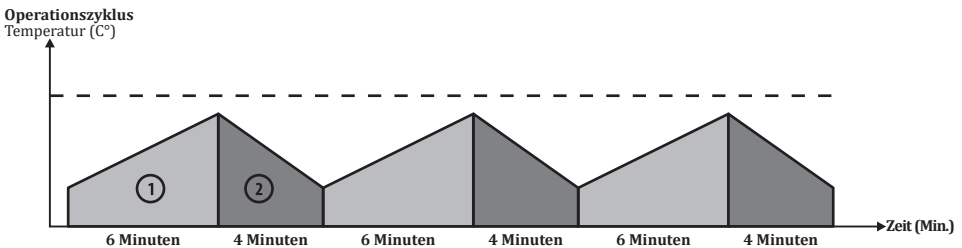
MAGMA MEKATRONİK MAKİNE SAN. VE TİC. A.Ş. Organize Sanayi Bölgesi 5.Kısım Manisa-TÜRKİYE				
ID 65 PX		S/N:		
		EN 60974-1/-10 Cl. A		
	20A / 88V - 65A / 106V			
S	$X^{(40^{\circ}C)}$	50%	60%	100%
	I_2	65A	59A	46A
	U_2	106V	103.7V	98.4V
	$U_1=400V$	$I_{1max} = 17.8A$	$I_{1eff} = 12.61A$	
IP21S	CE	EAC	UK CA	

MAGMA MEKATRONİK MAKİNE SAN. VE TİC. A.Ş. Organize Sanayi Bölgesi 5.Kısım Manisa-TÜRKİYE				
ID 65 P		S/N:		
		EN 60974-1/-10 Cl. A		
	20A / 88V - 65A / 106V			
S	$X^{(40^{\circ}C)}$	50%	60%	100%
	I_2	65A	59A	46A
	U_2	106V	103.7V	98.4V
	$U_1=400V$	$I_{1max} = 17.8A$	$I_{1eff} = 12.61A$	
IP21S	CE	EAC	UK CA	

DE

-  Dreiphasen-Transformator-Gleichrichter
-  Vertikale Charakteristik
-  Gleichstrom
-  Plasmaschneiden
-  Netzeingang - 3-Phasen-Wechselstrom
-  Geeignet für Arbeiten in gefährlichen Umgebungen

- X** Operationszyklus
- U₀** Leerlauf-Betriebsspannung
- U₁** Netzspannung und -frequenz
- U₂** Nennschweißspannung
- I₁** Nennstrom aus dem Netz
- I₂** Nennschweißstrom
- S₁** Strom aus dem Netz
- IP21** Schutzklasse



Wie in EN 60974-1 definiert, umfasst die Betriebszyklusrate eine Zeitspanne von 10 Minuten. Wenn Sie beispielsweise mit 100 A in einer Maschine arbeiten möchten, die mit 100 A bei 60% spezifiziert ist, kann die Maschine in den ersten 6 Minuten des 10-minütigen Zeitraums (1 Zone) ohne Unterbrechung schneiden. Die Maschine muss jedoch für die nächsten 4 Minuten im Leerlauf bleiben, um abzukühlen (Zone 2).

1.4 Technische Spezifikationen

TECHNISCHE SPEZIFIKATIONEN	EINHEIT	ID 65 PX	ID 65 P
Netzspannung (3 Phasen 50-60 Hz)	V	400	400
Bemessungsleistung	kVA	12,3	12,3
Bereich zur Einstellung des Schweißstroms	ADC	20 - 65	20 - 65
Nennstrom	ADC	65	65
Leerlaufspannung	VDC	270	270
Empfohlene Schnittdicke (alle Metalle)	mm	22 (500 mm/min.)	22 (500 mm/min.)
Maximale Schnittdicke (alle Metalle)	mm	28 (250 mm/min.)	28 (250 mm/min.)
Bruchdicke (Alle Metalle)	mm	35 (125 mm/min.)	35 (125 mm/min.)
Rinnen öffnen (3,5 mm D x 6,6 mm G)	kg	5 (in 1 Stunde)	5 (in 1 Stunde)
Abmessungen (l x b x h)	mm	628.1 x 219.3 x 453.7	628.1 x 219.3 x 453.7
Gewicht	kg	26	26
Schutzklasse		IP21S	IP21S

Die Schnittgeschwindigkeiten in der Tabelle sind die Ergebnisse von Magmawelds Labortests. Verschiedene Schneidanwendungen und Umgebungen kann je nach den Bedingungen variieren.

1.5 Zubehör

STANDARDZUBEHÖR	ANZAHL	PRODUKTCODE
Erdungszange und Kabel	1	K301100343
Brenner (manuell) *	1	7142H10506
Brenner (mechanisiert) *	1	7142M10512

* Muss bei der Bestellung angegeben werden.

INSTALLATIONSHINWEISE

2.1 Zu beachtende Punkte beim Empfang

Vergewissern Sie sich, dass alle Materialien, die Sie bestellt haben, eingetroffen sind. Wenn Material fehlt oder beschädigt ist, wenden Sie sich sofort an die Verkaufsstelle.

Die Standardbox enthält:

- Hauptgerät und das daran angeschlossene Netzkabel
- Brenner und Verbrauchsmaterialien
- Erdungszange und Kabel
- Garantie-Zertifikat
- Gebrauchsanweisung

Im Falle einer beschädigten Lieferung sollten Sie ein Protokoll führen, den Schaden fotografieren und ihn zusammen mit einer Fotokopie des Lieferscheins dem Transportunternehmen melden. Wenn das Problem weiterhin besteht, wenden Sie sich an den Kundendienst.

Symbole auf dem Gerät und ihre Bedeutungen



Plasmaschneiden/-schweißen ist gefährlich. Es sollten angemessene Arbeitsbedingungen geschaffen und die notwendigen Vorkehrungen getroffen werden. Experten sind für die Maschine verantwortlich und müssen die erforderliche Ausrüstung bereitstellen. Unbeteiligte Personen sind vom Arbeitsbereich fernzuhalten.



Dieses Gerät ist nicht IEC 61000-3-12-konform. Wenn ein Anschluss an das zu Hause verwendete Niederspannungsnetz gewünscht wird, muss der Installateur, der den elektrischen Anschluss herstellt, oder die Person, die die Maschine verwendet, Kenntnis über die Anschlussmöglichkeiten der Maschine haben; in diesem Fall liegt die Verantwortung beim Benutzer.



Achten Sie auf die Sicherheitssymbole und Warnhinweise auf der Maschine und in dieser Bedienungsanleitung und entfernen Sie die Aufkleber nicht.



Die Gitter dienen der Belüftung. Die Öffnungen dürfen nicht abgedeckt werden, um eine gute Kühlung zu gewährleisten, und es dürfen keine Fremdkörper hineingelassen werden.

2.2 Empfehlungen für Installation und Betrieb

- Zum Bewegen der Maschine sollten Hebeösen oder Gabelstapler verwendet werden. Heben Sie das Gerät nicht mit der Gasflasche an. Beim manuellen Tragen von tragbaren Schweißgeräten müssen Maßnahmen gemäß den Vorschriften zum Arbeitsschutz ergriffen werden. Am Arbeitsplatz müssen die notwendigen Vorkehrungen getroffen werden, um sicherzustellen, dass der Transportvorgang so weit wie möglich unter Einhaltung der Gesundheits- und Sicherheitsbedingungen durchgeführt wird. Entsprechend den Merkmalen der Arbeitsumgebung und den Anforderungen des Arbeitsplatzes sollten Vorkehrungen getroffen werden. Stellen Sie die Maschine auf eine harte, ebene und glatte Oberfläche, wo sie nicht herunterfallen oder umkippen kann.
- Wenn die Umgebungstemperatur 40°C übersteigt, lassen Sie die Maschine mit einem niedrigeren Strom oder einer niedrigeren Taktfrequenz laufen.
- Ermeiden Sie Plasmaschneiden im Freien bei Wind und Regen. Wenn das Plasmaschneiden unter solchen Bedingungen erforderlich ist, schützen Sie den Plasmaschneidbereich und die Plasmaschneidmaschine mit feuerfesten Vorhängen oder Markisen.
- Achten Sie bei der Aufstellung des Geräts darauf, dass Materialien wie Wände, Vorhänge, Verkleidungen usw. den einfachen Zugang zu den Bedienelementen und Anschlüssen der Maschine nicht behindern. Wenn Sie in Innenräumen plasmaschneiden, verwenden Sie ein geeignetes Rauchabzugssystem. Beim Plasmaschneiden entstehen schädliche Stäube, Dämpfe und Gase. Wenn die Gefahr des Einatmens von Dämpfen, Staubpartikeln und Gasen in Innenräumen besteht, verwenden Sie ein Atemschutzgerät.
- Beachten Sie die auf dem Produktetikett angegebenen Betriebszyklen. Häufiges Überschreiten der Betriebszyklen kann die Maschine beschädigen und zum Erlöschen der Garantie führen.
- Das Versorgungskabel muss entsprechend dem angegebenen Sicherungswert verwendet werden.
- Die Stromversorgung muss gemäß den örtlichen und nationalen Elektrovorschriften geerdet sein.
- Vergewissern Sie sich, dass die Gasanschlüsse korrekt ausgeführt sind. Wenn die Gasquelle in der Flasche komprimiert ist, sichern Sie die Gasflasche so, dass sie nicht umkippen kann.

2.3 Netzsteckeranschluss



Verwenden Sie zu Ihrer Sicherheit niemals das Netzkabel des Geräts ohne Stecker. Schützen Sie die Geräte mit systemgerechten trägen Sicherungen und einem Notschalter, um im Notfall die Stromzufuhr schnell abzuschalten.

- Verwenden Sie das passende Erdungskabel für Ihre Stromversorgung. Stecken Sie den Erdungsstecker in die Buchse am Netzteil und lassen Sie ihn einrasten, wobei Sie darauf achten müssen, dass die Verbindung fest sitzt.
- Der elektrische Anschluss muss von einem autorisierten Elektriker in Übereinstimmung mit den örtlichen und nationalen Vorschriften durchgeführt werden.

2.4 Anschluss an das Stromnetz



Vergewissern Sie sich beim Einstecken des Steckers in die Steckdose, dass sich der Ein-/Ausschalter des Geräts in der Position "0" befindet.

- Bevor Sie das Gerät an das Stromnetz anschließen, überprüfen Sie die 3 Phasen mit einem Voltmeter. Nachdem Sie überprüft haben, dass jede Phase korrekt ist, stecken Sie den Stecker in die Steckdose.
- Schalten Sie das Gerät mit dem Ein-/Aus-Schalter ein.
- Wenn Sie das MW-Symbol auf dem Display sehen, ist die Maschine bereit zum Starten. (ID 65 PX)
- Schalten Sie das Gerät aus, indem Sie den Schalter auf "0" zurückdrehen.

2.5 Anschlüsse für das Plasmaschneiden



Seien Sie beim Schneiden vorsichtig und verwenden Sie geeignete Schutzkleidung und Handschuhe.

2.5.1 Gasanschlüsse

- Wenn sich die Gasquelle in der Werkstatt oder in einer Gasflasche befindet, muss ein Gasregler verwendet werden, der in der Lage sein muss, Gas an den Luftenlass der Maschine zu liefern.
- Wenn Sie eine Gasflasche verwenden, sichern Sie die Gasflasche so, dass sie nicht umkippen kann.
- Für einen sicheren Betrieb und beste Ergebnisse verwenden Sie einen standardisierten Regler und stellen Sie sicher, dass die Qualität der Gasversorgung dem Standard entspricht. Die Qualität der Gasversorgung wirkt sich auf die Schneidleistung und die Qualität der Verbrauchsmaterialien aus.
- Stellen Sie sicher, dass die Gasleitung vor Verunreinigungen wie Öl und Staub geschützt ist.
- Lassen Sie das Ventil der Gasflasche eine Weile geöffnet, damit eventuelle Ablagerungen und Partikel abgeführt werden können.
- Schließen Sie den Gasregler an die Gasflasche an. Achten Sie darauf, dass das Gewinde am Gasausgang der Gasflasche mit der Mutter des Reglers übereinstimmt.
- Schließen Sie ein Ende des Flaschenschlauchs an den Gasregler und das andere Ende an den Gaseinlass auf der Rückseite der Maschine an und öffnen Sie das Gasflaschenventil.
- Stellen Sie den Gasdurchfluss mit dem Druckregulierventil ein.
- Vergewissern Sie sich, dass keine Lecks in den Anschlüssen vorhanden sind.
- Wenn der Eingangsgasdruck den oberen Grenzwert überschreitet, kann der Luftfilter beschädigt werden.

Gasschmelzschiessen	Saubere, trockene, ölfreie Luft oder Stickstoff
Empfohlener Gaseinlassdurchsatz / Druck	Schneiden: 185 l/min bei 5,5 bar Rillen: 208 l/min bei 4,6 bar

2.5.2 Anschlüsse für Erdungsklemmen

- Stecken Sie den Stecker des Erdungszangenkabels in die Erdungsbuchse am Gerät und ziehen Sie ihn fest, indem Sie ihn nach rechts drehen. Stellen Sie sicher, dass die Verbindung hergestellt ist.
- Um die Qualität des Schnitts zu verbessern, befestigen Sie die Erdungszange so nah wie möglich an der zu schneidenden Stelle fest am Werkstück.

- Achten Sie auf einen guten Metall-zu-Metall-Kontakt. Schließen Sie die Erdungszange niemals an dem Metallteil an, das fallen wird.



Die Stromversorgung muss in Übereinstimmung mit den nationalen und lokalen elektrischen Vorschriften geerdet werden, um die persönliche Sicherheit zu gewährleisten, elektromagnetische Störungen zu reduzieren und geeignete Arbeitsbedingungen zu schaffen.

DE

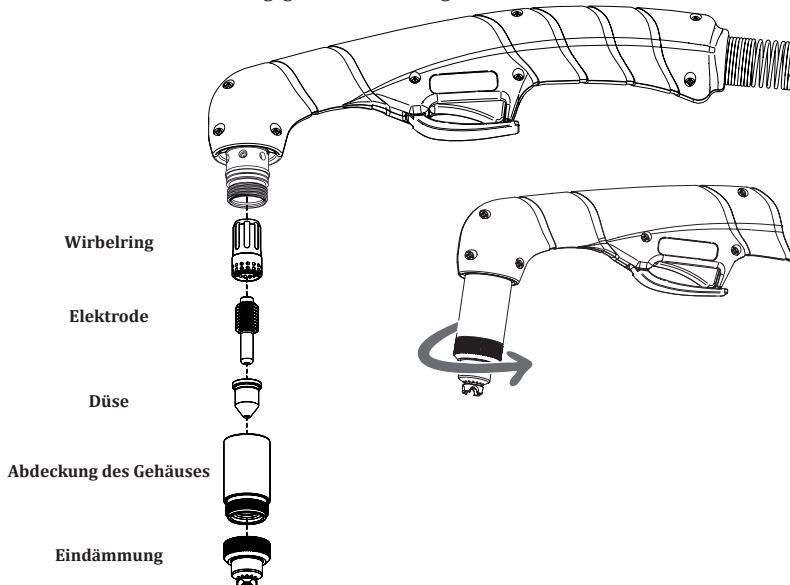
2.5.3 Brenneranschlüsse

- Der Plasmaschneider von Magmaweld muss entsprechend der Schneidmethode verwendet werden, die mit der Stromversorgung verwendet wird.
- Manueller Brenner für manuelles Schneiden und mechanischer Brenner für maschinelles Schneiden.
- Für den Anschluss des Brenners stecken Sie den Stecker des Brenners in die Buchse des Netzteils und drehen ihn nach rechts. Vergewissern Sie sich, dass die Verbindung vollständig ist.
- Schalten Sie die Stromversorgung aus, während Sie den Brenner anschließen.
- Ausführliche Informationen über Brenner finden Sie unter 5.1.



2.6 Platzierung der Verbrauchsmaterialien

- Die für manuelle und maschinelle Plasmaschneider verwendeten Materialien sind unterschiedlich.
- Zunächst müssen die Verbrauchsmaterialien für den Brenner vorbereitet werden.
- Geeignete Verbrauchsmaterialien müssen entsprechend dem Brennertyp und der verwendeten Methode ausgewählt werden.
- Das Verbrauchsmaterial muss in der angegebenen Reihenfolge installiert werden.



- Die Lebensdauer der Verbrauchsmaterialien hängt von dem zu schneidenden Material, der Schnittstärke, der Schnittlänge, der Schnittmethode, dem angemessenen Abstand zum Material, der Luftqualität und der Strahlhäufigkeit ab. Wenn die Strahlhäufigkeit hoch ist, nutzen sich die Verbrauchsmaterialien schneller ab.
- Wenn Sie mit abgeschirmten Verbrauchsmaterialien arbeiten, kann die Brennerspitze das zu schneidende Metall während des Schneidens berühren. Wenn Sie mit nicht abgeschirmten Verbrauchsmaterialien arbeiten, sollten Sie einen Abstand von 2 - 3 mm zwischen dem Brenner und dem zu schneidenden Teil einhalten.
- Ausführliche Informationen über Verbrauchsmaterial finden Sie unter 5.1.



Wenn der Brennerauslöser gedrückt wird, wird der Plasmalichtbogen sofort erzeugt. Vergewissern Sie sich, dass die Stromversorgung ausgeschaltet ist, wenn Sie das Plasmaverbrauchsmaterial austauschen.

2.7 Pilotbogen

Beim Plasmaschneiden wird ionisiertes Gas mit hoher elektrischer Leitfähigkeit verwendet. Wenn der Plasmabrenner ausgelöst wird, wird die Gleichstromversorgung aktiviert und innerhalb kurzer Zeit beginnt ein schneller Gasfluss im Brenner. Dieser Gleichstrom ionisiert das Gas im Brenner und es entsteht ein Lichtbogen. Dieser Bogen, der durch den Brenner verengt und intensiviert wird, wird Pilotbogen genannt. Der Pilotbogen wird durch mit hoher Geschwindigkeit strömende Gase aus der Brennermündung gedrückt. Wenn sie das zu schneidende Metall berührt, wird der Hauptstrom erzeugt und das Schneiden beginnt. Der Schneidvorgang wird durch Bewegen des Brenners fortgesetzt.

2.8 Fernsteuerung

Die Fernbedienung ist nur aktiv, wenn der mechanische Brenner verwendet wird. An der Rückseite des Geräts befindet sich ein Anschluss für die Fernbedienung. Wenn die notwendige Verbindung mit der Buchse auf der Rückseite des Netzteils hergestellt wird, ermöglicht sie den Zugang zur Bogenspannung und gibt ein Signal für die Bogenübertragung und den Plasmastart.

Detaillierte Informationen über den Anschlussplan für die Automatisierungstechnik finden Sie unter 5.2.

Einstellung des Spannungsteilers

Das Netzteil verfügt über einen fünfstufigen Spannungsteiler.

Die Spannungsinformationen werden mit Hilfe des Spannungsteilers geändert. Der Spannungsteiler ist werkseitig auf 20:1 eingestellt.

Die folgende Tabelle zeigt die Position der DIP-Schalter für die Einstellung des Spannungsteilers.



20:1



20.1:1



30:1



40:1



50:1



: Zeigt an, dass der Switch eingeschaltet ist.

Der ID65 PX Plasmaschneider verfügt über 2 Arten von Automatisierungsschnittstellen: digitale und analoge Kommunikation. Der ID65 P Plasmaschneider für Leiterplatten verfügt nur über eine analoge Kommunikationsschnittstelle zur Automatisierung.

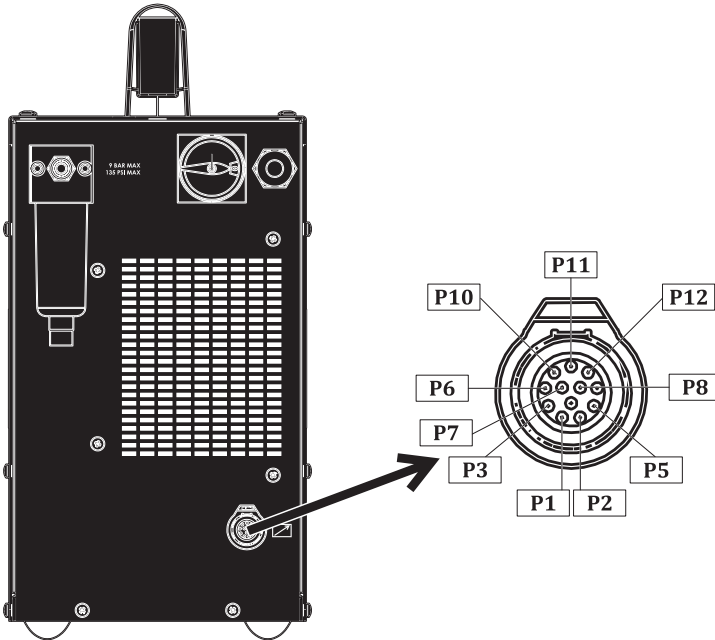
1) Digitale Kommunikation

Zusätzliche Steckdosen und Karten werden dem Gerät hinzugefügt. Mit diesen erfolgt die digitale Kommunikation über Modbus.

Zusätzlich zur analogen Kommunikation;

- Der Maschinenstrom kann aus der Ferne eingestellt werden.
- Schneidestrom und Gasdruck können je nach den zu schneidenden Materialien ferngesteuert eingestellt werden.
- Der Maschinenmodus kann aus der Ferne geändert werden.
- Alle Fehlercodes der Maschine können an die Automatisierungsschnittstelle gesendet werden. Auf diese Weise wird sichergestellt, dass die Maschine anhält oder der Bediener gewarnt wird.

Die Anschlussbuchsen für die Signale, die entlang des Maschinenschnittstellenkabels verwendet werden, sind in der Abbildung unten dargestellt. Die Tabelle enthält Informationen zu den Signalen. Wenn das Netzteil über das Maschinenschnittstellenkabel an die CNC-Maschine oder die Brennerhöhensteuerung angeschlossen wird, ist folgende Tabelle zu beachten:

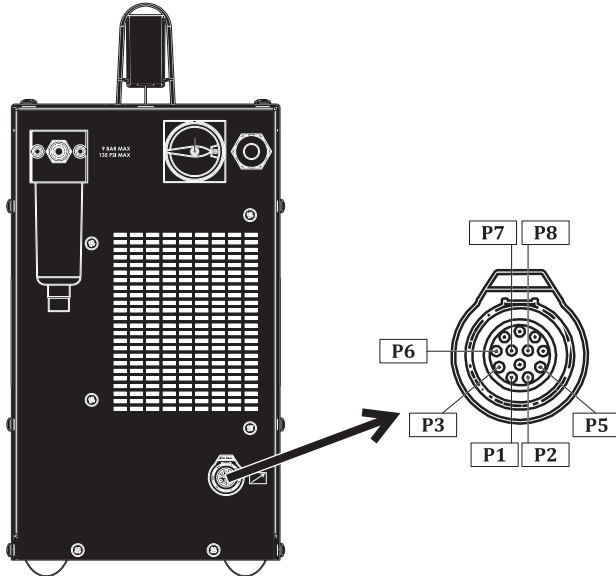


Name der Verbindung	Anschlussbuchse	Beschreibung
Start (Auslöser)	P5, P2	24 VDC Leerlaufspannung ist verfügbar. Erfordert das Schließen eines Trockenkontakts zur Aktivierung.
Bogengenehmigung	P1, P3	Normalerweise offener Kontakt. Der Kontakt schaltet in den geschlossenen Zustand, wenn ein Plasmabogen entsteht (Max : 220 VDC 2A).
Kommunikation	P10 (A) P11 (B) P12 (GND)	ModBus
Spannungsteiler	P7 (+) P8 (-)	Die Maschine passt die Ausgangsspannung an das Steuersystem an. 20:1, 21.1:1, 30:1, 40:1, 50:1 geteilte Ausgabe.
Erde	P6	Aus Gründen der Gerätesicherheit wird empfohlen, den Anschluss an den Erdungspunkt Ihres Systems vorzunehmen.

2) Analoge Kommunikation

Er arbeitet mit einer Trockenkontaktstruktur. Das Automatisierungsgerät sendet eine Warnung an die Plasmamaschine für den Betrieb mit Trockenkontakt, das Plasma erzeugt den Pilotbogen. Nachdem die Plasmamaschine den Pilotlichtbogen erzeugt hat, sendet sie über einen potentialfreien Kontakt eine Warnung an das Automatisierungsgerät. Wenn die Maschine mit dem Schneiden beginnt, meldet sie die Spannung des Plasmalichtbogens, damit die Automatisierungsschnittstelle die Höhereinstellung vornehmen kann.

Die Anschlussbuchsen für die Signale, die entlang des Maschinenschnittstellenkabels verwendet werden, sind in der Abbildung unten dargestellt. Die Tabelle enthält Informationen zu den Signalen. Wenn das Netzteil über das Maschinenschnittstellenkabel an die CNC-Maschine oder die Brennerhöhensteuerung angeschlossen werden soll, ist die folgende Tabelle zu beachten:



Name der Verbindung	Anschlussbuchse	Beschreibung
Start (Auslöser)	P5, P2	24 VDC Leerlaufspannung ist verfügbar. Erfordert das Schließen eines Trockenkontakts zur Aktivierung.
Bogengenehmigung	P1, P3	Normalerweise offener Kontakt. Der Kontakt schaltet in den geschlossenen Zustand, wenn ein Plasmabogen entsteht (Max : 220 VDC 2A).
Spannungsteiler	P7 (+) P8 (-)	Die Maschine passt die Ausgangsspannung an das Steuersystem an. 20:1, 21.1:1, 30:1, 40:1, 50:1 geteilte Ausgabe.
Erde	P6	Aus Gründen der Gerätesicherheit wird empfohlen, den Anschluss an den Erdungspunkt Ihres Systems vorzunehmen.

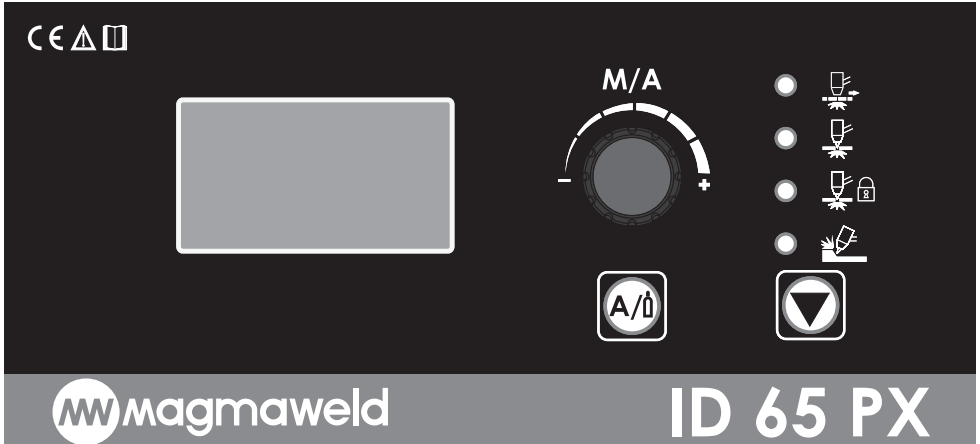


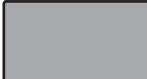



Die Installation des Maschinenschnittstellenkabels und der Spannungsteilerplatine muss von einer autorisierten Servicestelle durchgeführt werden.




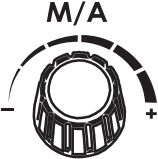


Die Abdeckung über dem Schnittstellensteckplatz auf der Rückseite des Geräts muss staub- und feuchtigkeitsgeschützt aufbewahrt werden, wenn sie nicht benutzt wird.


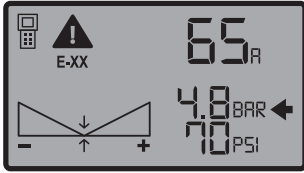
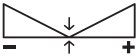





NUTZUNGSINFORMATIONEN

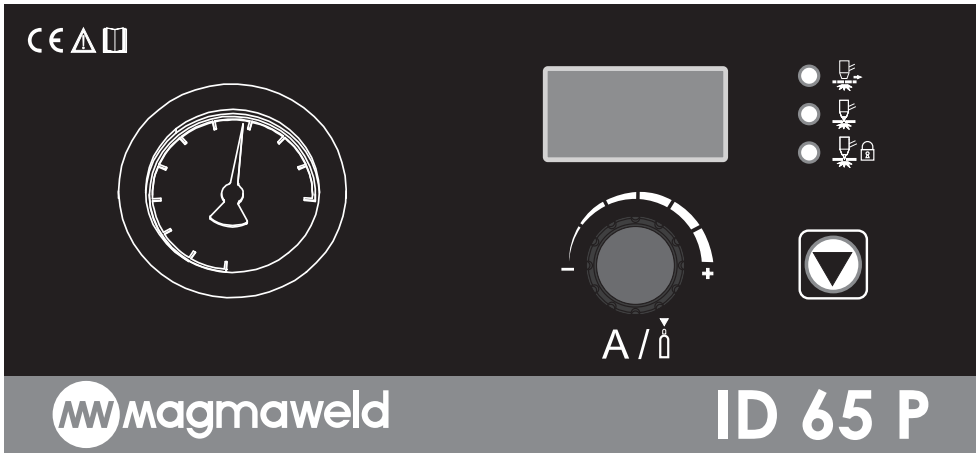
3.1 Benutzeroberfläche



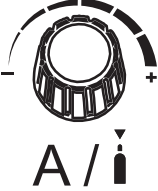



	<p>Digitales Display Der eingestellte Schweißstrom, die Druckwerte, die Druckkurve und die Fehlercodes können dank der digitalen Anzeige visuell überwacht werden.</p>
	<p>Schneidemodi</p> <p> Raster schneiden</p> <p>Er wird zum Schneiden von Materialien verwendet, die aus Metall bzw. Hohlräumen bestehen, wie z.B. Gitterroste. Wenn dieser Modus nicht zum Schneiden von perforierten Materialien wie Gitterrosten verwendet wird, beginnt das Schneiden des Materials, wenn der Pilotbogen startet, aber der Pilotbogen endet an der ersten Lücke, die er sieht. Wenn er das Metallteil nach dem Spalt erreicht, müssen Sie den Auslöser loslassen und erneut drücken, um den Pilotlichtbogen zu starten und den Schnitt fortzusetzen. Um diese Arbeit zu erleichtern, wurde ein Gitterschneidemodus für die Verwendung von gitterartigen Materialien entwickelt. Wenn Sie im Gitterschneidemodus den Brennerauslöser drücken, wird der Pilotlichtbogen erzeugt und das Material geschnitten. Der Pilotlichtbogen wird unterbrochen, wenn die Lücke erreicht ist, und der Pilotlichtbogen wird aktiviert, wenn das Material wieder erreicht ist. Dieser Zyklus wird fortgesetzt, bis Sie den Auslöser loslassen. Der Schneidevorgang endet, wenn Sie den Abzug loslassen.</p> <p> Normal schneiden</p> <p>Normal schneiden Wenn Sie den Auslöser im normalen Schneidemodus drücken, wird ein Pilotlichtbogen erzeugt und der Schneidevorgang beginnt. Sobald das Werkstück fertig ist, erlischt der Lichtbogen, auch wenn Sie den Abzug nicht loslassen, können Sie den Abzug loslassen. Wenn Sie den Abzug in der Mitte des Materials loslassen, erlischt der Lichtbogen wieder. Wenn Sie den Auslöser erneut drücken, um den Vorgang fortzusetzen, wird der Pilotbogen erneut ausgelöst.</p>

	<p> Brenner Abzugssperre</p> <p>In diesem Modus entsteht ein Pilotbogen, wenn Sie den Auslöser drücken. Nachdem Sie den Schneidevorgang gestartet haben, können Sie Ihre Hand vom Abzug nehmen und den Schneidevorgang fortsetzen. Sobald das Werkstück fertig ist (wenn es eine Lücke sieht), erlischt der Pilotlichtbogen und der Modus wird deaktiviert. Wenn Sie den Auslöser erneut drücken und mit dem Schneiden des Werkstücks beginnen, ist der Modus aktiv. Dieser Modus ist vor allem beim Schneiden von langen Werkstücken praktisch. Sie können schneiden, ohne den Finger die ganze Zeit am Abzug zu halten.</p> <p> Rinnenöffnung</p> <p>Wenn die Fugenhobelmethode im Automatikmodus ausgewählt ist, wird die Gasdurchflussrate automatisch von der Maschine eingestellt. Das Brennerverbrauchsmaterial muss entsprechend der Fugenhobelmethode gewechselt werden. Wenn der Abzug gedrückt wird, entsteht ein Pilotbogen. Der Pilotbogen erlischt, wenn das Werkstück fertig ist oder eine Lücke entsteht. Sie können den Finger vom Abzug nehmen.</p>
<p>M/A</p> 	<p>Potentiometer (M/A: Manueller/Automatik-Modus)</p> <p>Wenn das Gerät eingeschaltet wird, startet es im Automatikmodus, es wird keine Gasdruckkurve auf dem Display angezeigt. Im Automatikmodus wird der Einstellregler nur für die Stromeinstellung verwendet. Durch Drehen des Potis nach links und rechts wird der gewünschte Stromwert innerhalb bestimmter Toleranzbereiche eingestellt.</p> <p>Im Automatikmodus stellt die Stromversorgung den Gasdruck je nach Brennertyp und -länge ein. Es stellt automatisch den optimalen Gasdruck ein. Die Einstellung des Gasdrucks über die Stromversorgung ist bequem und verhindert, dass der Benutzer bei der Einstellung des Gasdrucks Fehler macht.</p> <p>Um in den manuellen Modus zu wechseln, müssen Sie 1 Mal auf das Potentiometer drücken. Die Gasdruckkurve wird auf dem Bildschirm angezeigt. Im manuellen Modus werden Strom und Gasdruck mit dem Einstellregler eingestellt.</p> <p> Drücken Sie die Auswahltaste Strom / Gas und wechseln Sie zur Registerkarte Strom- oder Gaseinstellung. Wenn die aktuelle Registerkarte ausgewählt ist, erscheint ein Pfeil neben ihr. Um den Strom einzustellen, wird der gewünschte Stromwert innerhalb bestimmter Toleranzbereiche durch Drehen des Potentiometers nach links und rechts eingestellt. Wenn sich die Pfeile in der Mitte der Gasdruckkurve befinden, ist der von der Maschine empfohlene optimale Wert eingestellt.</p> 

	<p> Wenn Sie auf die Schaltfläche Strom / Gasauswahl drücken und zur Registerkarte Gaseinstellung wechseln, erscheint der Pfeil daneben. Die Stromversorgung stellt den Gasdruck automatisch ein. Der Benutzer kann sie jedoch innerhalb eines bestimmten Toleranzbereichs anpassen. Wenn Sie das Potentiometer nach rechts drehen, steigt der Gasdruck und die Gasdruckkurve bewegt sich ganz nach rechts. Wenn der Einstellregler nach links gedreht wird, sinkt der Gasdruck und die Gasdruckkurve bewegt sich nach links. Die optimale Gasdruckeinstellung gemäß dem eingestellten Strom ist der Wert in der Mitte des Diagramms.</p> 
	<p>Gasdruckdiagramm Es zeigt den Gasdruckwert grafisch an.</p> <p>Wenn das Diagramm leer ist, wird der von der Stromversorgung eingestellte optimale Gasdruck ausgewählt.</p> <p>Die Mitte des Diagramms zeigt den optimalen Gasdruck (4,8 BAR / 70 PSI). Wenn Sie den Einstellregler in der Gasdruckeinstellung nach rechts drehen, erhöht sich der Gasdruck. Der rechte Bereich im Diagramm beginnt sich zu füllen. Der maximale Gasdruck ist auf 5,5 BAR (80 PSI) eingestellt.</p>  <p>Wenn Sie bei der Einstellung des Gasdrucks den Einstellregler nach links drehen, sinkt der Gasdruck. Der linke Bereich im Diagramm beginnt sich zu füllen. Der minimale Gasdruck ist auf 4,4 BAR (64 PSI) eingestellt.</p> 
	<p>Strom-/Gas-Auswahltaste Ermöglicht das Umschalten auf Strom- und Gasdruckwerte im manuellen Modus. Die Einstellung erfolgt in diesen Registern mit dem Potentiometer.</p>
	<p>Fehlercode Zeigt Fehlersymbol und -code an</p>
	<p>Fernkonnektivität Zeigt an, dass die Fernverbindung aktiv ist</p>



	<p>Digitales Display Der eingestellte Schweißstrom, die Druckwerte, die Druckkurve und die Fehlercodes können dank der digitalen Anzeige visuell überwacht werden.</p>
	<p>Schneidemodi</p> <p> Raster schneiden</p> <p>Er wird zum Schneiden von Materialien verwendet, die aus Metall bzw. Hohlräumen bestehen, wie z.B. Gitterroste. Wenn dieser Modus nicht zum Schneiden von perforierten Materialien wie Gitterrosten verwendet wird, beginnt das Schneiden des Materials, wenn der Pilotbogen startet, aber der Pilotbogen endet an der ersten Lücke, die er sieht. Wenn er das Metallteil nach dem Spalt erreicht, müssen Sie den Auslöser loslassen und erneut drücken, um den Pilotlichtbogen zu starten und den Schnitt fortzusetzen. Um diese Arbeit zu erleichtern, wurde ein Gitterschneidemodus für die Verwendung von gitterartigen Materialien entwickelt. Wenn Sie im Gitterschneidemodus den Brennerauslöser drücken, wird der Pilotlichtbogen erzeugt und das Material geschnitten. Der Pilotlichtbogen wird unterbrochen, wenn die Lücke erreicht ist, und der Pilotlichtbogen wird aktiviert, wenn das Material wieder erreicht ist. Dieser Zyklus wird fortgesetzt, bis Sie den Auslöser loslassen. Der Schneidevorgang endet, wenn Sie den Abzug loslassen.</p> <p> Normal schneiden</p> <p>Normal schneiden Wenn Sie den Auslöser im normalen Schneidemodus drücken, wird ein Pilotlichtbogen erzeugt und der Schneidevorgang beginnt. Sobald das Werkstück fertig ist, erlischt der Lichtbogen, auch wenn Sie den Abzug nicht loslassen, können Sie den Abzug loslassen. Wenn Sie den Abzug in der Mitte des Materials loslassen, erlischt der Lichtbogen wieder. Wenn Sie den Auslöser erneut drücken, um den Vorgang fortzusetzen, wird der Pilotbogen erneut ausgelöst.</p>
	<p> Brenner Abzugssperre</p> <p>In diesem Modus entsteht ein Pilotbogen, wenn Sie den Auslöser drücken. Nachdem Sie den Schneidevorgang gestartet haben, können Sie Ihre Hand vom Abzug nehmen und den Schneidevorgang fortsetzen. Sobald das Werkstück fertig ist (wenn es eine LückAe sieht), erlischt der Pilotlichtbogen und der Modus wird deaktiviert.</p>

	<p>Wenn Sie den Auslöser erneut drücken und mit dem Schneiden des Werkstücks beginnen, ist der Modus aktiv. Dieser Modus ist vor allem beim Schneiden von langen Werkstücken praktisch. Sie können schneiden, ohne den Finger die ganze Zeit am Abzug zu halten.</p>
 <p>A / i</p>	<p>Potentiometer A: Stromanpassung / i Gasanpassung</p> <p>Um den Strom einzustellen, wird der gewünschte Stromwert innerhalb bestimmter Toleranzbereiche durch Drehen des Potentiometers nach links und rechts eingestellt.</p>  <p>Um auf die Gaseinstellung umzuschalten, drücken Sie 1 Mal auf das Potentiometer. Das Gerät schaltet in den Modus für freies Gas um,  zeigt etwa 4,2 bar auf dem Manometer an. Wenn Sie das Gasdruck-Potentiometer am Luftfilter nach oben ziehen und in die freie Position drehen, können Sie den Druck durch Drehen nach rechts oder links erhöhen oder verringern.</p>
	<p>Druckmessgerät Zeigt den Druck im Inneren des Brenners an.</p>

3.2 Brennerbetrieb

Schieben Sie beim Schneiden die Schutzabdeckung am Brennerauslöser nach vorne und drücken Sie den Brennerauslöser. Der Plasmalichtbogen wird gezündet, sobald der Brennerauslöser gedrückt wird. Die Brennerspitze muss langsam an dem zu schneidenden Material entlang geführt werden, um einen gleichmäßigen Schnitt zu gewährleisten. Wenn der Automatisierungsbrenner angeschlossen ist, erkennt die Maschine den Automatisierungsbrenner und wartet auf einen Auslöser von der Automatisierungsschnittstelle. Es sendet die erforderlichen Daten an die Automatisierungsschnittstelle. Ausführliche Informationen über Taschenlampen finden Sie unter 5.1.



Der Brennerauslöser ist aktiv, wenn die Stromversorgung eingeschaltet ist. Achten Sie darauf, dass sich Ihre Hand nicht in der Schneidbahn befindet. Halten Sie das Werkstück nicht in der Hand und richten Sie den Brenner nicht auf sich selbst oder andere Personen.



WARTUNGS- UND STÖRUNGSINFORMATIONEN

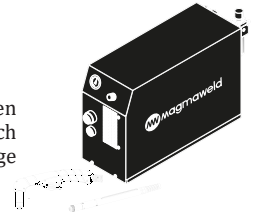
- Wartung und Reparaturen an der Maschine müssen von kompetenten Personen durchgeführt werden. Unser Unternehmen haftet nicht für Unfälle, die durch Eingriffe von Unbefugten verursacht werden.
- Die bei der Reparatur zu verwendenden Teile erhalten Sie bei unseren autorisierten Diensten. Die Verwendung von Original-Ersatzteilen verlängert die Lebensdauer Ihrer Maschine und verhindert Leistungsverluste.
- Wenden Sie sich immer an den Hersteller oder eine vom Hersteller angegebene Vertragswerkstatt.
- Jeder nicht vom Hersteller autorisierte Versuch während der Garantiezeit führt zum Erlöschen aller Garantiebestimmungen.
- Beachten Sie bei Wartungs- und Reparaturarbeiten stets die geltenden Sicherheitsvorschriften.
- Bevor Sie Reparaturarbeiten am Gerät durchführen, ziehen Sie den Netzstecker aus der Steckdose und warten Sie 10 Sekunden, bis sich die Kondensatoren entladen haben.

4.1 Wartung



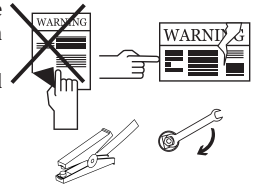
Tägliche Pflege

- Überprüfen Sie das Verbrauchsmaterial des Brenners regelmäßig und ersetzen Sie es, wenn es abgenutzt oder beschädigt ist. Vergewissern Sie sich, dass es sich bei diesen Verbrauchsmaterialien um Originalprodukte für eine langfristige Nutzung und hohe Leistung handelt.



Alle 3 Monate

- Entfernen Sie die Warnhinweise auf dem Gerät nicht. Ersetzen Sie abgenutzte/gerissene Etiketten durch neue. Sie erhalten die Etiketten beim autorisierten Service.
- Überprüfen Sie Ihre Zangen und Kabel. Achten Sie auf die Verbindungen und die Solidität der Teile.
- Ersetzen Sie beschädigte/defekte Teile durch neue.
Nehmen Sie keine Spleißungen/Reparaturen an den Kabeln vor.
- Stellen Sie sicher, dass genügend Platz für die Belüftung vorhanden ist.



Alle 6 Monate

- Reinigen Sie die Verbindungsteile wie Schrauben und Muttern und ziehen Sie sie fest. Überprüfen Sie die Erdungsklemmenkabel. Öffnen Sie die Seitenabdeckungen des Geräts und reinigen Sie sie mit trockener Niederdruckluft oder einem Staubsauger. Wenden Sie Druckluft nicht aus nächster Nähe auf elektronische Teile an.
- Stellen Sie sicher, dass der Luftfilter sauber ist. Wenn er verschmutzt ist, ersetzen Sie ihn durch einen neuen.



HINWEIS: Die oben genannten Zeiträume sind die maximalen Zeiträume, die angewendet werden sollten, wenn keine Probleme mit Ihrem Gerät auftreten. Je nach Intensität und Verschmutzung Ihrer Arbeitsumgebung können Sie die oben genannten Vorgänge häufiger wiederholen.



Schneiden Sie niemals bei geöffneten Türen des Plasmaschneiders.

4.2 Fehlersuche

Die folgenden Tabellen enthalten mögliche Fehler und Lösungsvorschläge.

Störung	Grund	Lösung
Maschine funktioniert nicht	<ul style="list-style-type: none"> • Problematischer elektrischer Anschluss der Maschine 	<ul style="list-style-type: none"> • Stellen Sie sicher, dass das Gerät an das Stromnetz angeschlossen ist • Wenn das Problem weiterhin besteht, wenden Sie sich an den autorisierten Service
	<ul style="list-style-type: none"> • Defekte Netzanschlüsse 	<ul style="list-style-type: none"> • Prüfen Sie, ob die Netzanschlüsse korrekt sind • Wenn das Problem weiterhin besteht, wenden Sie sich an den autorisierten Service
	<ul style="list-style-type: none"> • Sicherung der Netzversorgung defekt oder Netzkabel beschädigt 	<ul style="list-style-type: none"> • Überprüfen Sie die Netzsicherungen, das Netzkabel und den Stecker • Wenn das Problem weiterhin besteht, wenden Sie sich an den autorisierten Service
	<ul style="list-style-type: none"> • Der Ein/Aus-Schalter funktioniert nicht richtig 	<ul style="list-style-type: none"> • Überprüfen Sie den Ein/Aus-Schalter • Wenn das Problem weiterhin besteht, wenden Sie sich an den autorisierten Service
Die Maschine funktioniert, aber sie schneidet nicht	<ul style="list-style-type: none"> • Luftdruck und Durchflussmenge sind möglicherweise nicht geeignet 	<ul style="list-style-type: none"> • Prüfen Sie den Luftdruck und die Luftqualität. Vergewissern Sie sich, dass der Luftdruck und die Durchflussrate angemessen sind und die Luft trocken und sauber ist • Wenn das Problem weiterhin besteht, wenden Sie sich an den autorisierten Service
	<ul style="list-style-type: none"> • Die Netzspannung ist möglicherweise nicht geeignet 	<ul style="list-style-type: none"> • Vergewissern Sie sich, dass die Netzspannung für das Gerät geeignet ist • Wenn das Problem weiterhin besteht, wenden Sie sich an den autorisierten Service
	<ul style="list-style-type: none"> • Die Erdungszange darf nicht mit dem Werkstück oder der Maschine verbunden werden 	<ul style="list-style-type: none"> • Stellen Sie sicher, dass die Erdungszange mit dem Werkstück und der Maschine verbunden ist. Reinigen Sie den Bereich, in dem die Erdungszange das Werkstück berührt • Stellen Sie sicher, dass die Erdungszange nicht beschädigt ist • Wenn das Problem weiterhin besteht, wenden Sie sich an den autorisierten Service
	<ul style="list-style-type: none"> • Brenner und/oder Verbrauchsmaterialien können abgenutzt oder beschädigt sein 	<ul style="list-style-type: none"> • Prüfen Sie, ob der Brenner und/oder die Verbrauchsmaterialien abgenutzt oder beschädigt sind, und ersetzen Sie sie gegebenenfalls • Wenn das Problem weiterhin besteht, wenden Sie sich an den autorisierten Service

Störung	Grund	Lösung
	<ul style="list-style-type: none"> • Der Lichtbogen überträgt sich nicht auf das Werkstück 	<ul style="list-style-type: none"> • Stellen Sie sicher, dass die Oberfläche des Werkstücks sauber und frei von Farbe ist • Stellen Sie sicher, dass der Abstand des Brenners zum Werkstück angemessen ist • Wenn das Problem weiterhin besteht, wenden Sie sich an den autorisierten Service
Die Maschine funktioniert, aber sie schneidet nicht	<ul style="list-style-type: none"> • Luftdruck und Durchflussmenge sind möglicherweise nicht geeignet, die Luftfilterelemente können verschmutzt sein 	<ul style="list-style-type: none"> • Prüfen Sie den Luftdruck und die Luftqualität. Vergewissern Sie sich, dass der Luftdruck und die Durchflussrate angemessen sind und die Luft trocken und sauber ist. • Wenn das Problem weiterhin besteht, wenden Sie sich an den autorisierten Service
	<ul style="list-style-type: none"> • Brenner und/oder Verbrauchsmaterialien können abgenutzt oder beschädigt sein 	<ul style="list-style-type: none"> • Vergewissern Sie sich, dass der Brenner und/oder die Verbrauchsmaterialien nicht abgenutzt oder beschädigt sind, und ersetzen Sie sie gegebenenfalls. • Wenn das Problem weiterhin besteht, wenden Sie sich an den autorisierten Service
	<ul style="list-style-type: none"> • Der Brenner und/oder die Verbrauchsmaterialien wurden möglicherweise nicht richtig ausgewählt oder installiert 	<ul style="list-style-type: none"> • Vergewissern Sie sich, dass der Brenner und/oder das Verbrauchsmaterial korrekt verwendet und installiert wurde • Wenn das Problem weiterhin besteht, wenden Sie sich an den autorisierten Service
	<ul style="list-style-type: none"> • Der Schneidemodus wurde möglicherweise falsch gewählt 	<ul style="list-style-type: none"> • Vergewissern Sie sich, dass der Schneidemodus richtig eingestellt ist • Wenn das Problem weiterhin besteht, wenden Sie sich an den autorisierten Service
	<ul style="list-style-type: none"> • Der verwendete Amperewert ist möglicherweise falsch gewählt 	<ul style="list-style-type: none"> • Wählen Sie die für das zu schneidende Material geeignete Stromstärke (Materialstärke und -art) • Wenn das Problem weiterhin besteht, wenden Sie sich an den autorisierten Service
	<ul style="list-style-type: none"> • Die für die Leistung der Maschine geeignete Schnittgeschwindigkeit und-stärke wurde möglicherweise überschritten 	<ul style="list-style-type: none"> • Vergewissern Sie sich, dass die Schnittgeschwindigkeit und die Schnittstärke angemessen sind. • Wenn das Problem weiterhin besteht, wenden Sie sich an den autorisierten Service

Störung	Grund	Lösung
	<ul style="list-style-type: none"> Die Höhe oder der Winkel des Brenners zum Werkstück kann falsch sein 	<ul style="list-style-type: none"> Stellen Sie sicher, dass die Höhe und der Winkel des Brenners zum Werkstück korrekt sind Wenn das Problem weiterhin besteht, wenden Sie sich an den autorisierten Service
	<ul style="list-style-type: none"> Die Schnittrichtung kann falsch sein 	<ul style="list-style-type: none"> Stellen Sie sicher, dass die Schnittrichtung korrekt ist Wenn das Problem weiterhin besteht, wenden Sie sich an den autorisierten Service

DE

4.3 Fehlercodes

Nachfolgend finden Sie alle Fehlercodes für alle Geräte. Achten Sie auf die Fehlercodes, die Ihr Gerät betreffen.

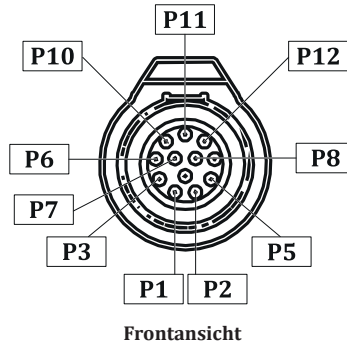
Fehlercode	Fehler	Grund	Lösung
E01	Thermischer Schutz (Primär)	<ul style="list-style-type: none"> Ihr Gerät hat möglicherweise die Aktivierungsrate überschritten 	<ul style="list-style-type: none"> Lassen Sie das Gerät abkühlen, indem Sie eine Weile warten. Wenn die Störung nicht mehr auftritt, versuchen Sie, das Gerät mit einer niedrigeren Stromstärke zu verwenden Wenn das Problem weiterhin besteht, wenden Sie sich an den autorisierten Service
		<ul style="list-style-type: none"> Der Ventilator funktioniert möglicherweise nicht 	<ul style="list-style-type: none"> Prüfen Sie visuell, ob der Ventilator funktioniert oder nicht Wenn das Problem weiterhin besteht, wenden Sie sich an den autorisierten Service
		<ul style="list-style-type: none"> Die Luften- und -auslasskanäle sind möglicherweise blockiert 	<ul style="list-style-type: none"> Öffnen Sie die Vorderseite der Luftkanäle Wenn das Problem weiterhin besteht, wenden Sie sich an den autorisierten Service
		<ul style="list-style-type: none"> Die Arbeitsumgebung der Maschine kann zu heiß oder stickig sein 	<ul style="list-style-type: none"> Stellen Sie sicher, dass die Arbeitsumgebung der Maschine nicht zu heiß oder stickig ist Wenn das Problem weiterhin besteht, wenden Sie sich an den autorisierten Service
E02	Netzspannung Niedrig	<ul style="list-style-type: none"> Die Netzspannung ist möglicherweise gesunken 	<ul style="list-style-type: none"> Überprüfen Sie die Netzanschlusskabel und die Spannung. Vergewissern Sie sich, dass der richtige Spannungseingang vorhanden ist. Wenn die Netzspannung normal ist, wenden Sie sich an den autorisierten Service
E03	Netzspannung hoch	<ul style="list-style-type: none"> Die Netzspannung kann erhöht werden 	<ul style="list-style-type: none"> Überprüfen Sie die Netzanschlusskabel und die Spannung. Vergewissern Sie sich, dass der richtige Spannungseingang vorhanden ist. Wenn die Netzspannung normal ist, wenden Sie sich an den autorisierten Service

Fehlercode	Fehler	Grund	Lösung
E04	Strom/Spannung Lesefehler	<ul style="list-style-type: none"> • Ein Hardware-Fehler kann vorliegen 	<ul style="list-style-type: none"> • Kontaktieren Sie den autorisierten Service
E05	Fehler beim Lesen des Temperatursensors	<ul style="list-style-type: none"> • Ein Hardware-Fehler kann vorliegen 	<ul style="list-style-type: none"> • Kontaktieren Sie den autorisierten Service
E06	Fehler in der Wasserkühlung Einheit	<ul style="list-style-type: none"> • Die Wasserkühlung ist möglicherweise defekt 	<ul style="list-style-type: none"> • Prüfen Sie den Anschluss der Wasserkühlereinheit und die Einlass- und Auslassöffnungen des Brenners • Stellen Sie sicher, dass die Wasserzirkulation gewährleistet ist • Wenn das Problem weiterhin besteht, wenden Sie sich an den autorisierten Service
E07	Systemfehler	<ul style="list-style-type: none"> • Ein Hardware-Fehler kann vorliegen 	<ul style="list-style-type: none"> • Kontaktieren Sie den autorisierten Service
E08			
E09			
E10	Brenner-Verbindungsfehler	<ul style="list-style-type: none"> • Brenner und Brennerverbindungen können fehlerhaft sein 	<ul style="list-style-type: none"> • Brenner und Brenneranschlüsse prüfen • Wenn das Problem weiterhin besteht, wenden Sie sich an den autorisierten Service
E11	Systemfehler	<ul style="list-style-type: none"> • Ein Hardware-Fehler kann vorliegen 	<ul style="list-style-type: none"> • Kontaktieren Sie den autorisierten Service
E12			
E13	Fehler in der Draht Antriebseinheit	<ul style="list-style-type: none"> • Möglicherweise liegt ein Fehler in der Kabelführung vor 	<ul style="list-style-type: none"> • Prüfen Sie Drahtkorb, Spulen-/ Spulendruck und Brenneranschlüsse • Wenn das Problem weiterhin besteht, wenden Sie sich an den autorisierten Service
E14	Systemfehler	<ul style="list-style-type: none"> • Ein Hardware-Fehler kann vorliegen 	<ul style="list-style-type: none"> • Kontaktieren Sie den autorisierten Service
E15	Kommunikationsfehler bei der Fernbedienung	<ul style="list-style-type: none"> • Die Anschlüsse der Fernbedienung sind möglicherweise fehlerhaft 	<ul style="list-style-type: none"> • Überprüfen Sie die Anschlüsse der Fernbedienung • Wenn das Problem weiterhin besteht, wenden Sie sich an den autorisierten Service
E16	Systemfehler	<ul style="list-style-type: none"> • Ein Hardware-Fehler kann vorliegen 	<ul style="list-style-type: none"> • Kontaktieren Sie den autorisierten Service
E17			
E18			
E19	Thermischer Schutz (sekundär)	<ul style="list-style-type: none"> • Ihr Gerät hat möglicherweise die Aktivierungsrate überschritten 	<ul style="list-style-type: none"> • Lassen Sie das Gerät abkühlen, indem Sie eine Weile warten. Wenn die Störung nicht mehr auftritt, versuchen Sie es mit niedrigeren Stromstärken • Wenn das Problem weiterhin besteht, wenden Sie sich an den autorisierten Service
		<ul style="list-style-type: none"> • Der Ventilator funktioniert möglicherweise nicht 	<ul style="list-style-type: none"> • Prüfen Sie visuell, ob der Ventilator funktioniert oder nicht • Wenn das Problem weiterhin besteht, wenden Sie sich an den autorisierten Service

Fehlercode	Fehler	Grund	Lösung
E19	Thermischer Schutz (sekundär)	<ul style="list-style-type: none"> • Lufteinlass- und -auslasskanäle können blockiert sein 	<ul style="list-style-type: none"> • Öffnen Sie die Vorderseite der Luftkanäle • Wenn das Problem weiterhin besteht, wenden Sie sich an den autorisierten Service
		<ul style="list-style-type: none"> • Die Arbeitsumgebung der Maschine kann zu heiß oder stickig sein 	<ul style="list-style-type: none"> • Stellen Sie sicher, dass die Arbeitsumgebung der Maschine nicht zu heiß oder stickig ist. • Wenn das Problem weiterhin besteht, wenden Sie sich an den autorisierten Service
E20	Systemfehler	<ul style="list-style-type: none"> • Ein Hardware-Fehler kann vorliegen 	<ul style="list-style-type: none"> • Kontaktieren Sie den autorisierten Service
E21			
E22			
E23			
E26	Einlassdruck niedrig	<ul style="list-style-type: none"> • Der Einlassdruck kann niedrig sein 	<ul style="list-style-type: none"> • Kontrollieren Sie Ihre Luft-/ Gasanschlüsse und stellen Sie sicher, dass der Eingangsdruck angemessen ist. Wenn der Eingangsdruck normal ist, wenden Sie sich an den autorisierten Service
E27	Brennergehäuse nicht installiert	<ul style="list-style-type: none"> • Brennerschutz darf nicht installiert sein, darf nicht sitzen 	<ul style="list-style-type: none"> • Vergewissern Sie sich, dass der Brennerschutz korrekt angebracht ist • Wenn das Problem weiterhin besteht, wenden Sie sich an den autorisierten Service
E28	Systemfehler	<ul style="list-style-type: none"> • Ein Hardware-Fehler kann vorliegen 	<ul style="list-style-type: none"> • Kontaktieren Sie den autorisierten Service
E29	DC-Bus-Spannung niedrig	<ul style="list-style-type: none"> • Die Netzspannung ist möglicherweise gesunken 	<ul style="list-style-type: none"> • Kontrollieren Sie die Netzanschlusskabel und die Spannung. Vergewissern Sie sich, dass der richtige Spannungseingang vorhanden ist. Wenn die Netzspannung normal ist, wenden Sie sich an den autorisierten Service
E30	DC- Sammelschiene Spannung hoch	<ul style="list-style-type: none"> • Die Netzspannung ist möglicherweise zu hoch 	<ul style="list-style-type: none"> • Kontrollieren Sie die Netzanschlusskabel und die Spannung. Vergewissern Sie sich, dass der richtige Spannungseingang vorhanden ist. Wenn die Netzspannung normal ist, wenden Sie sich an den autorisierten Service
E31	Systemfehler	<ul style="list-style-type: none"> • Ein Hardware-Fehler kann vorliegen 	<ul style="list-style-type: none"> • Kontaktieren Sie den autorisierten Service

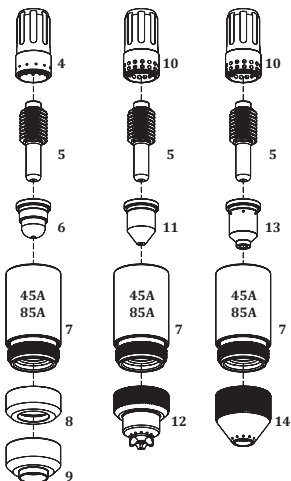
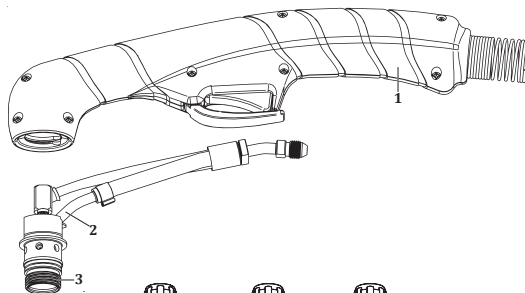
ANHÄNGE

5.1 Anschlussplan für die Automatisierung des Plasmaschneidens



PIN-NR	KABEL	VERBINDUNGSMENÜ	ERLÄUTERUNG
1	Gelb	Freigabe des 8 Bogens	Normalerweise offener Kontakt. Der Kontakt schaltet in den geschlossenen Zustand, wenn ein Plasmalichtbogen entsteht. (Max: 220 VDC 2A)
3	Braun		
2	Grün	Start (Auslöser)	24 VDC Leerlaufspannung ist verfügbar. Erfordert das Schließen eines Trockenkontakts zur Aktivierung.
5	Weiß		
6	Schild	Boden	Aus Gründen der Gerätesicherheit wird empfohlen, den Anschluss an den Erdungspunkt Ihres Systems vorzunehmen.
7	Rot	Vo (+)	Die Maschine passt die Ausgangsspannung an das Steuersystem an. 20:1, 21.1:1, 30:1, 40:1, 50:1 geteilte Ausgabe.
8	Schwarz	Vo (-)	
10	Grau	ModBus A	ModBUS-RTU / 19200bps / 8N1 (Diese Funktion ist nur für das PX-Modell gültig).
11	Rosa	ModBus B	
12	Blau	ModBus GND	

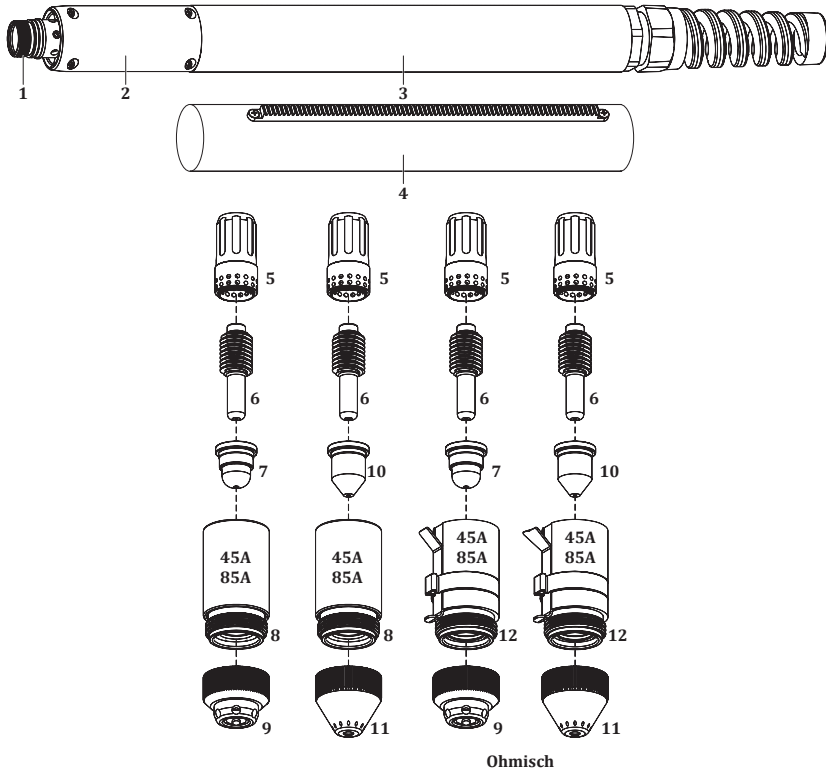
5.2 Handbrenner Verbrauchsmaterial und Ersatzteile



Präzisionsschneiden Normaler Schnitt Rinnenöffnung

NR	BESCHREIBUNG	MATERIALCODE
1	Brennerriff	Y542000019
2	Brennerkopf	Y542000016
3	O-Ring	Y542000018
4	Wirbelring	7042220947
5	Elektrode	7042E00001
6	Düse	7042220930
7	Abdeckung des Gehäuses	7042220854
8	Eindämmung	7042220955
9	Eindämmung	7042220931
10	Wirbelring (Standard)	7042220857
11	Düse	7042220819
12	Eindämmung	7042220818
13	Düse	70422208NG
14	Eindämmung	70422209SG

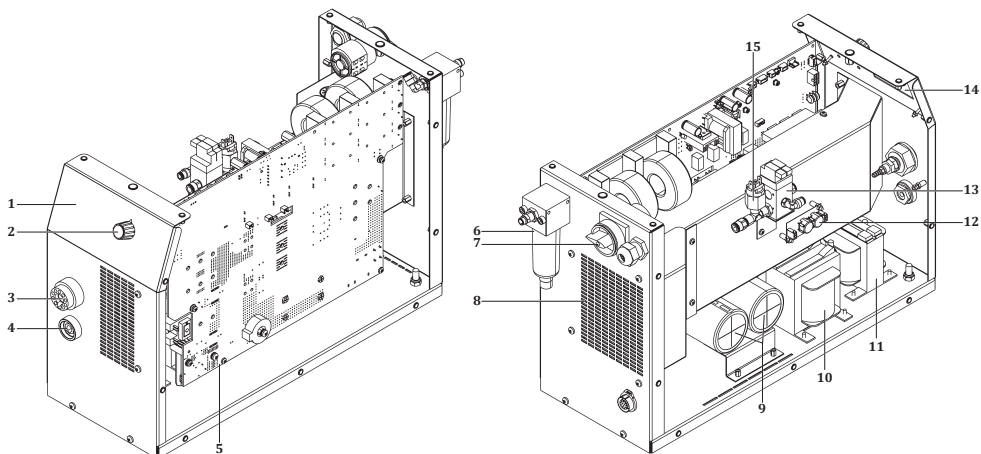
5.3 Mechanisierte Brenner Verbrauchsmaterialien und Ersatzteile



NR	BESCHREIBUNG	MATERIAL CODE
1	O-Ring	Y542000018
2	Brennerkopf	Y542000017
3	Teil zur Positionierung des Brenners (Standard)	Y542000020
4	Teil zur Positionierung des Brenners	7942000010
5	Wirbelring (Standard)	7042220857
6	Elektrode	7042E00001
7	Düse	7042220930
8	Abdeckung des Gehäuses	7042220854
9	Eindämmung	7042220948
10	Düse	7042220819
11	Eindämmung	7042220817
12	Düse	7042220953

5.4 Ersatzteilliste für Plasmaschneider

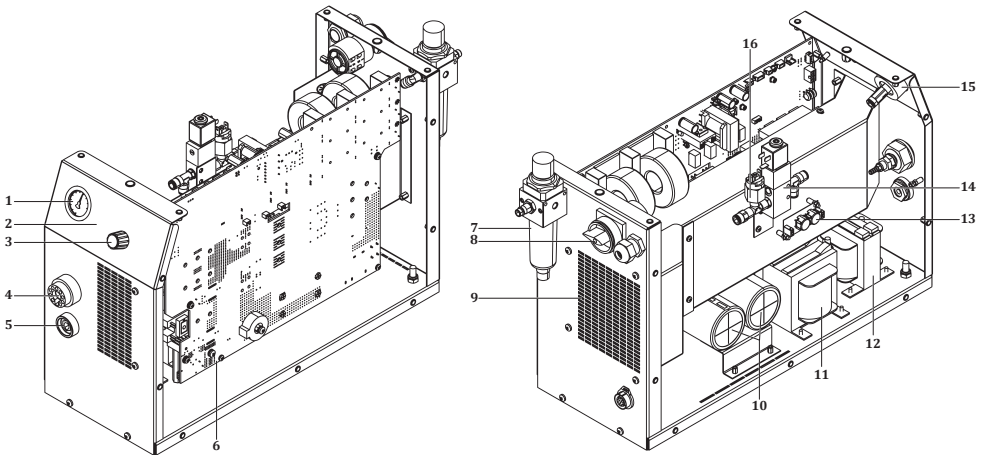
ID 65 PX



NR	BESCHREIBUNG	ID 65 PX
1	Membran-Etikett	K109900170
2	Potenzschalter	A229500001
3	Anschluss für Plasmabrenner	K309000033
4	Schweißsockel	A377900103
5	Elektronische Karte E230A-1 V2.3	K405000330
6	Filter	A256001242
7	PACCO Schalter	A308000017
8	Ventilator	A250001141
9	Elektrolytkondensator	A420200016
10	Stromtransformator	A366000034
11	Schockspule	A421050007
12	Elektronische Karte E230A-4 V1.0	K405000327
13	Ventil	A253003050
14	Elektronische Karte E230A-2 V1.3	K405000329
15	Druckschalter	A253001150

ID 65 P

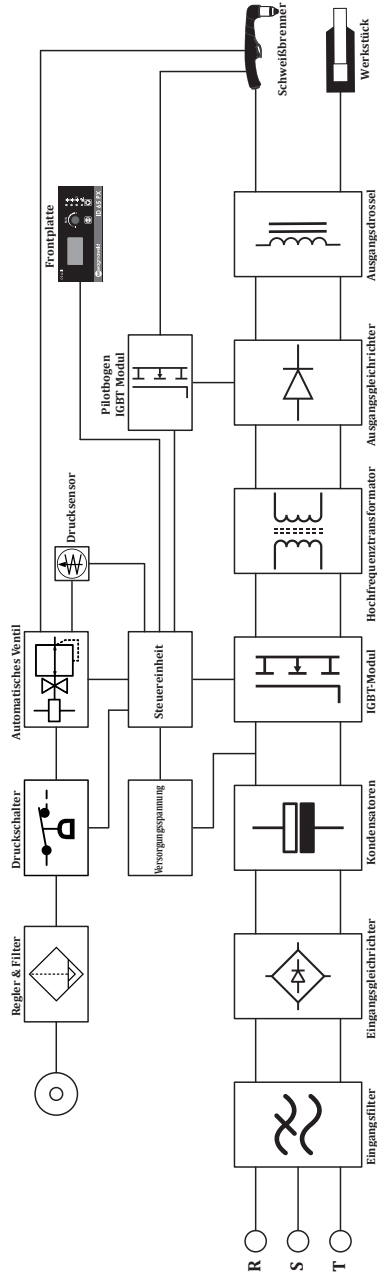
DE



NR	BESCHREIBUNG	ID 65 P
1	Manometer	A827000017
2	Membran-Etikett	K109900171
3	Potenzschalter	A229500001
4	Anschluss für Plasmabrenner	K309000033
5	Schweißsockel	A377900103
6	Elektronische Karte E230A-1 V2.3	K405000330
7	Filter	A256001240
8	PACCO Schalter	A308000017
9	Ventilator	A250001141
10	Elektrolytkondensator	A420200016
11	Stromtransformator	A366000034
12	Schockspule	A421050007
13	Elektronische Karte E230A-4 V1.0	K405000327
14	Ventil	A253001151
15	Elektronische Karte E230A-1 V1.1	K405000328
16	Druckschalter	A253001150

5.5 Anschlussdiagramme

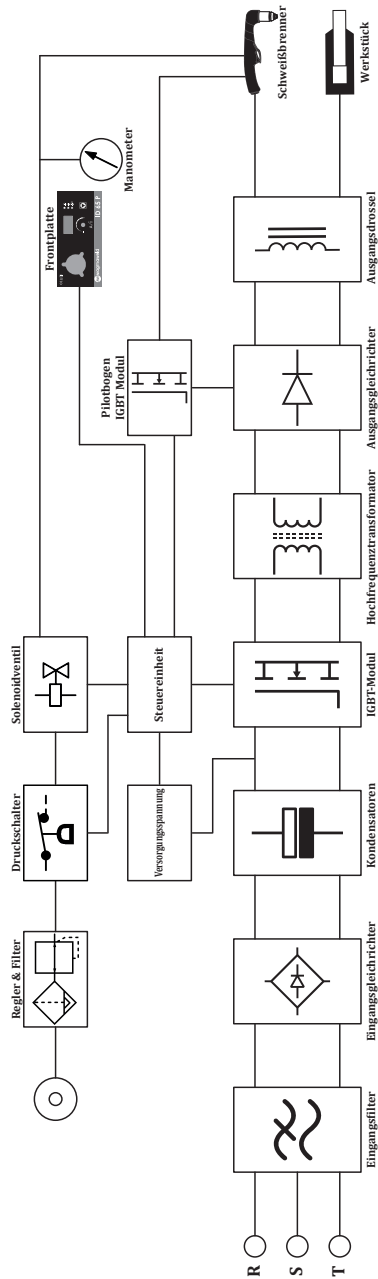
Blockdiagramm ID 65 PX



DE

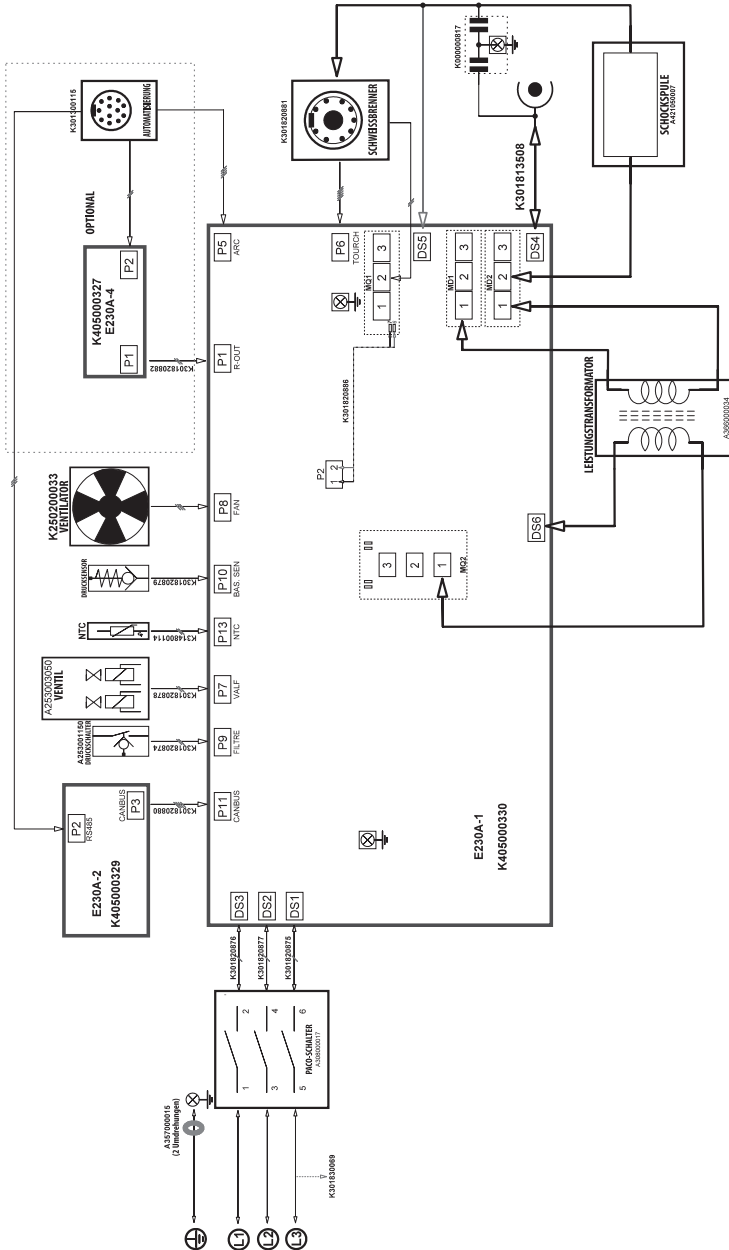
ID 65 P

DE



Schaltkreisdiagramme

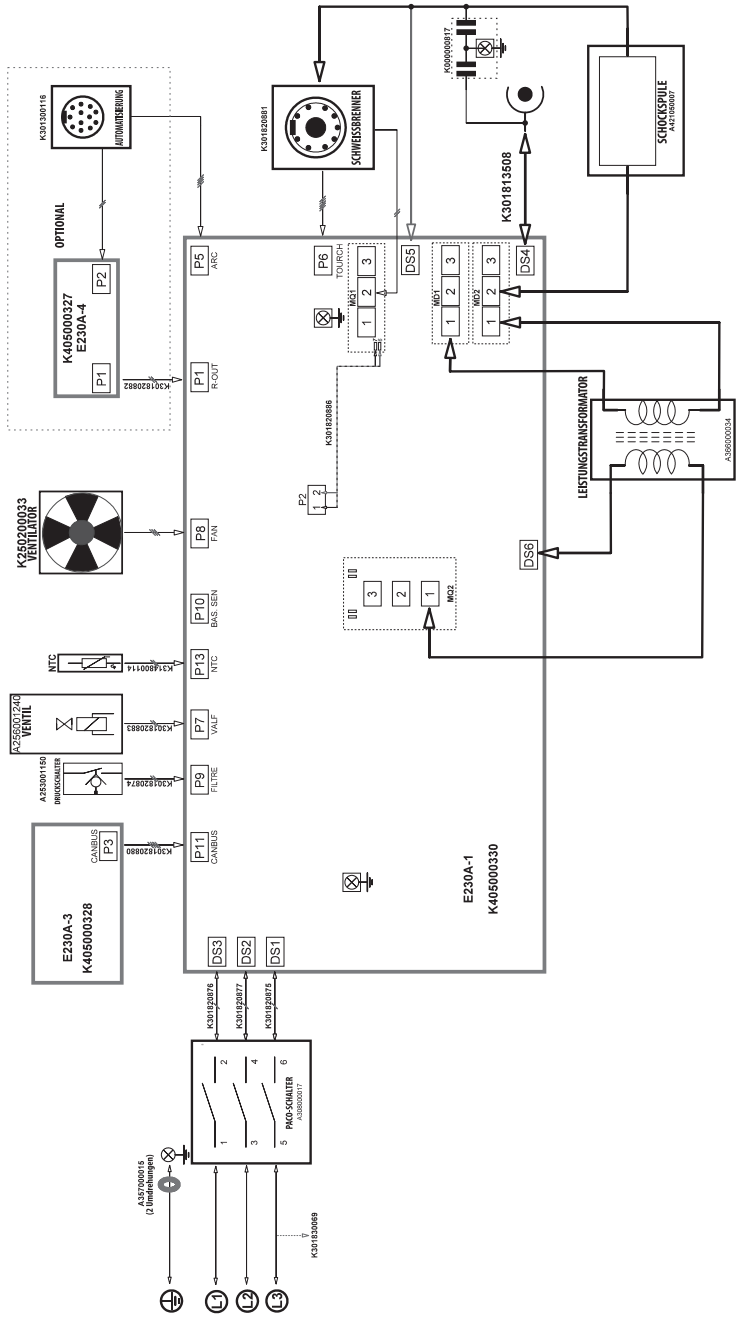
ID 65 PX



DE

ID 65 P

DE



PRODUKTINFORMATION**Modell****Seriennummer****HERSTELLER****Name**

MAGMA MEKATRONİK MAKİNE SANAYİ VE TİCARET A.Ş.

Adresse

Organize Sanayi Bölgesi 5. Kısım MANİSA

Telefon / E-Mail

+90 236 226 27 00 / info@magmaweld.com

KAUFINFORMATIONEN**Name des Händlers****Stadt / Land****Telefon / E-Mail****Datum des Kaufs****KUNDENINFORMATIONEN****Name der Firma****Stadt / Land****Telefon / E-Mail****Name der Kontaktperson****SERVICE-INFORMATIONEN (falls zutreffend)****Name der Firma****Name des Technikers****Datum der Inbetriebnahme**
(Datum des Garantiebeginns)

Bitte besuchen Sie unsere Website www.magmaweld.com/warranty-terms/wt für die Garantiebedingungen.

 **СОДЕРЖАНИЕ**

	ПРАВИЛА ТЕХНИКИ БЕЗОПАСНОСТИ	124
1	ТЕХНИЧЕСКАЯ ИНФОРМАЦИЯ	
1.1	Общее описание	131
1.2	Комплектующие сварочного аппарата	131
1.3	Этикетка продукта	133
1.4	Технические характеристики	134
1.5	Принадлежности	134
2	ИНФОРМАЦИЯ ПО УСТАНОВКЕ И НАСТРОЙКЕ	
2.1	Контроль доставки	135
2.2	Рекомендации по установке и эксплуатации	135
2.3	Подсоединение электрической розетки	136
2.4	Подключение к сети	136
2.5	Соединения для плазменной резки	136
2.5.1	Газовые соединения	136
2.5.2	Подсоединение клемм заземления	137
2.5.3	Соединения горелки	137
2.6	Установка расходных материалов	138
2.7	Пилотная дуга	139
2.8	Дистанционное управление	139
3	ИНФОРМАЦИЯ ПО ЭКСПЛУАТАЦИИ	
3.1	Интерфейс пользователя	142
3.2	Использование горелки	146
4	ТЕХОБСЛУЖИВАНИЕ И УСТРАНЕНИЕ НЕИСПРАВНОСТЕЙ	
4.1	Техобслуживание	147
4.2	Устранение неисправностей	148
4.3	Коды неисправностей	150
5	ПРИЛОЖЕНИЯ	
5.1	Схема соединения автоматики плазменной резки	153
5.2	Расходные материалы и запасные части ручной горелки	154
5.3	Расходные материалы и запасные части механизированной горелки	155
5.4	Список запасных частей аппарата плазменной резки	156
5.5	Схемы подключения	158

ПРАВИЛА ТЕХНИКИ БЕЗОПАСНОСТИ

Соблюдайте все правила техники безопасности, указанные в этом руководстве!

Описание сведений по технике безопасности



- Знаки по технике безопасности, указанные в руководстве, используются для определения потенциальных источников опасности.
- При размещении какого-либо знака по технике безопасности в этом руководстве его следует понимать как указание на наличие риска телесных повреждений и во избежание потенциальной опасности внимательно ознакомиться с предоставленными далее пояснениями.
- Владелец оборудования несёт ответственность за предотвращение доступа посторонних лиц к оборудованию.
- Лица, осуществляющие эксплуатацию оборудования, должны иметь опыт или пройти полную подготовку по вопросу выполнения сварочных сварка / резка; перед работой на оборудовании ознакомьтесь с руководством по эксплуатации и соблюдайте инструкции по технике безопасности.

Описание знаков по технике безопасности

ВНИМАНИЕ



Указывает на потенциально опасную ситуацию, которая может привести к травме или повреждению. Несоблюдение этой меры предосторожности может привести к травме или потере/повреждению имущества.



ВАЖНО

Указывает на информацию и предупреждения, касающиеся эксплуатации.



ОПАСНОСТЬ

Указывает на серьёзную опасность. В случае непринятия мер может привести к смерти или серьёзным травмам.

Понимание предупреждений по технике безопасности



- Внимательно прочитайте руководство по эксплуатации, а также ознакомьтесь с маркировкой (ярлыком) и предупреждениями по технике безопасности, размещёнными на оборудовании.
- Убедитесь, что предупреждающая маркировка находится в надлежащем состоянии. Замените отсутствующие и повреждённые ярлыки.
- Ознакомьтесь со способом эксплуатации оборудования и правильными методами управления оборудованием.
- Осуществляйте эксплуатацию вашего оборудования в соответствующей одежде.
- Несоответствующие изменения, проводимые на вашем оборудовании, негативно скажутся на безопасной эксплуатации и сроке службы оборудования.
- Производитель не несёт ответственности за какие-либо последствия, возникающие в результате эксплуатации устройства за пределами вышеуказанных условий.

Поражение электротоком может привести к летальному исходу



Убедитесь, что процедуры установки соответствуют национальным электрическим стандартам и иным соответствующим нормам, а также обеспечьте установку оборудования компетентными лицами.

- Пользуйтесь сухими и неповреждёнными изолированными перчатками и рабочим фартуком. Запрещается использовать мокрые или повреждённые перчатки и рабочие фартуки.
- Носите огнестойкую защитную одежду, чтобы избежать ожогов. Одежда, используемая оператором, должна защищать от искр, брызг и излучения дуги.
- Не работайте в одиночку. В случае опасности убедитесь, что у вас есть помощник на рабочем месте.
- Не касайтесь электрода голыми руками. Не допускайте контакта держателя электрода или электрода с другими людьми или заземлёнными предметами.
- Никогда не прикасайтесь к частям, которые разносят электричество.
- Не прикасайтесь к электроду при контакте с электродом, подключённым к рабочей поверхности, полу или другому оборудованию.

- Вы можете защитить себя от возможных поражений электрическим током, изолировав себя от рабочей поверхности и пола. Используйте сухой, неповрежденный, невоспламеняющийся электроизоляционный материал таких размеров, чтобы он был пригодным для предотвращения контакта оператора с рабочей поверхностью.
- Не подключайте более одного электрода к держателю электрода.
- Подсоедините зажим заземления к заготовке или рабочему столу как можно ближе, чтобы обеспечить хороший контакт металла с металлом.
- Проверьте горелку перед работой со сварочным аппаратом. Убедитесь, что горелка и его кабели в хорошем состоянии. Обязательно замените поврежденную изношенную горелку.
- Не касайтесь держателей электродов, подключенных к двум сварочным аппаратам одновременно, так как будет присутствовать двойное напряжение холостого хода.
- Держите аппарат выключенным и отсоедините кабели, когда она не используется.
- Перед ремонтом машины отключите все электрические соединения и / или разъемы или выключите машину.
- Будьте осторожны при использовании длинного сетевого кабеля.
- Убедитесь, что все соединения чистые и сухие.
- Следите за тем, чтобы кабели были сухими, чистыми и обезжиренными, а также защищенными от горячего металла и искр.
- Оголенная проводка может убить. Часто проверяйте все кабели на предмет возможных повреждений. Если обнаружен поврежденный или неизолированный кабель, немедленно отремонтируйте или замените его.
- Если зажим заземления не подключен к заготовке, изолируйте его, чтобы предотвратить контакт с любым металлическим предметом.
- Убедитесь, что заземление линии питания подключено правильно.
- Не используйте источник переменного тока во влажных, сырых или перегруженных местах, а также в местах, где существует опасность падения.
- Используйте источник переменного тока ТОЛЬКО, если это необходимо для процесса сварки.
- Если требуется источник переменного тока, используйте дистанционное управление источником, если оно имеется на устройстве.

Дополнительные меры предосторожности требуются при наличии любого из следующих электрически опасных условий:

- во влажных местах или в мокрой одежде,
- на металлических конструкциях, таких как полы, решетки или строительные леса,
- когда вы находитесь в стесненном положении, например, сидя, на коленях или лежа,
- когда существует высокий риск неизбежного или случайного контакта с заготовкой или землей.

Для этих условий используйте следующее оборудование:

- Полуавтоматический аппарат для сварки MIG постоянного напряжения (CV),
- Ручной сварочный аппарат MMA постоянного тока,
- Сварочный аппарат постоянного или переменного тока с пониженным напряжением холостого хода (VRD), если имеется.

Процедуры при поражении электрическим током



- Отключите электричество.
- Используйте непроводящий материал, например сухую древесину, чтобы освободить пострадавшего от контакта с токоведущими частями или проводами.
- Позвоните в службу экстренной помощи.

Если у вас есть обучение оказанию первой помощи;

- Если пострадавший не дышит, проведите сердечно-легочную реанимацию (СЛР) сразу после разрыва контакта с источником электричества. Продолжайте СЛР (массаж сердца) до тех пор, пока не начнется дыхание или пока не прибудет помощь.
- Если имеется автоматический электронный дефибриллятор (AED), используйте его в соответствии с инструкциями.
- Относитесь к электрическому ожогу как к термическому ожогу, прикладывая стерильные холодные (ледяные) компрессы. Избегайте загрязнения и накройте чистой сухой повязкой.

Движущиеся части могут привести к телесным повреждениям



- Не приближайтесь к движущимся объектам.
- Закрывайте и запирайте все крышки, панели, дверцы и т.п. защитные приспособления оборудования и устройств.
- Носите ботинки с металлическим носком на случай падения тяжелых предметов.

Дым и газы могут нанести вред вашему здоровью



Во время выполнения сварка / резка и резки чрезвычайно опасно вдыхать дым и газ в течение длительного времени.

- Жжение и раздражение глаз, носа и горла указывают на недостаточность вентиляции. В этом случае необходимо незамедлительно улучшить уровень вентиляции и, если проблема не устранена, остановить сварка / резка.
- Предусмотрите на рабочем участке систему естественной или искусственной вентиляции.
- На участках выполнения сварка / резка или резки используйте соответствующую систему удаления дыма. При необходимости установите систему, которая обеспечит вывод дыма и газов, накапливающихся в цехе в целом. Во избежание загрязнения окружающей среды во время выброса газов используйте соответствующую систему фильтрации.
- При проведении работ в ограниченном пространстве или при выполнении сварка / резка материалов с покрытием из свинца, бериллия, кадмия, цинка, а также окрашенных материалов, помимо вышеуказанных мер предосторожности, используйте маски, обеспечивающие подачу свежего воздуха.
- Если газовые баллоны сгруппированы в отдельной зоне убедитесь в наличии хорошей вентиляции в этом помещении; закрывайте главные клапаны по окончании использования газовых баллонов, проверяйте баллоны на предмет утечки газа.
- Защитные газы (аргон и т.п.) плотнее воздуха и при использовании в помещении могут попадать в дыхательные пути вместо воздуха. Это опасно для вашего здоровья.
- Не проводите сварочные работы при наличии паров хлорированных углеводородов, выделяющихся во время смазочных и покрасочных работ.
- Некоторые сварные / вырезанные детали требуют специальной вентиляции. Следует внимательно прочитать правила безопасности продуктов, требующих специальной вентиляции. В случаях, когда требуется противогаз, следует надеть подходящий противогаз.

Излучение сварочной дуги может нанести вред вашим глазам



- Для защиты глаз и лица используйте соответствующую защитную маску и пригодный для маски стеклянный фильтр.
- Защищайте от этого излучения также другие части тела (руки, шею, уши и т.д.) соответствующей защитной одеждой.
- Для предупреждения возникновения у окружающих повреждений от воздействия сварочной дуги и горячих металлов, оградите ваш рабочий участок огнестойкими экранами высотой на уровне глаз и повесьте предупреждающие знаки.
- Оборудование не предназначено для нагревания замёрзших труб. Проведение таких работ сварочным аппаратом может привести к взрыву, пожару или повреждению вашего оборудования.

Искры и разбрызгивающиеся частицы могут нанести повреждения глазам



- При выполнении таких работ, как сварка, шлифовка или зачистка поверхности, могут образоваться искры и происходить разбрызгивание металлических частиц. Для предупреждения телесных повреждений надевайте под маску утврждённые к применению защитные рабочие очки с боковыми щитками.

Горячие детали могут привести к тяжёлым ожогам



- Не прикасайтесь к горячим деталям голыми руками.
- Перед работой с деталями оборудования подождите некоторое время, пока они остынут.
- При необходимости контакта с горячими деталями, используйте соответствующие инструменты, теплоизоляционные сварочные перчатки и огнеупорную одежду.

Повышенный Уровень Шума Может Нанести Вред Слуху



- Шум, выделяемый некоторым оборудованием и работами, может нанести вред слуху.
- При повышенном уровне шума используйте утврждённые к применению защитные наушники.

Сварочная проволока может нанести телесные повреждения



- При разматывании катушки сварочной проволоки не направляйте горелку на какую-либо часть тела, а также на других людей или какие-либо металлические предметы.
- При разматывании вручную катушки сварочной проволоки, особенно, небольшого диаметра, проволока может выскочить из ваших рук, как пружина, и травмировать вас или окружающих, поэтому при выполнении этих работ особое внимание уделите защите глаз и лица.

Сварка может привести к пожарам и взрывам



- Запрещается производить сварку вблизи легковоспламеняющихся материалов. Это может привести к пожару или взрыву.
- Перед проведением сварочных работ удалите эти предметы с участка или накройте их защитными покрытиями для предупреждения возгораний.
- На этих участках применяются специальные национальные и международные правила.

- Не производите сварку и резку полностью закрытых труб или трубок.
- Перед выполнением сварка / резка труб и закрытых емкостей откройте их, полностью опорожните, проветрите и очистите. Соблюдайте максимальную осторожность при выполнении сварка / резка на таких участках.
- Не производите сварку опорожнённых труб и трубок, которые ранее содержали вещества, способные вызвать взрыв, пожар или другие реакции.
- Сварочное оборудование имеет свойство нагреваться. Поэтому не размещайте его на легко воспламеняемых или легко повреждаемых поверхностях!

- Сварочные искры могут привести к возникновению пожара. По этой причине обеспечьте наличие в легко доступных для вас местах таких материалов, как огнетушители, вода и песок.
- Используйте обратные клапаны, газовые регуляторы и клапаны в сетях горючих, взрывоопасных газов и сжатого газа.

Выполнение технического обслуживания оборудования устройств некомпетентными лицами может привести к телесным повреждениям



- Запрещается привлекать некомпетентных лиц к ремонту оборудования. Ошибки, которые могут быть допущены при нарушении этого требования, могут привести к серьёзным травмам или летальному исходу.
- Элементы газовой сети работают под давлением; в результате манипуляций, производимых некомпетентными лицами, могут возникнуть взрывы, и пользователи могут получить серьёзные травмы.
- Рекомендуется производить обслуживание оборудования и его периферийных устройств не реже одного раза в год.

Сварка / Резка на небольших участках и участках с ограниченным пространством



- Выполняйте сварку/резку на небольших участках и участках с ограниченным пространством в присутствии ещё одного человека.
- По мере возможности избегайте проведения сварочных работ/резки в ограниченных пространствах.

Несоблюдение необходимых мер предосторожности при перемещении оборудования может привести к несчастным случаям



- При перемещении оборудования соблюдайте все необходимые меры предосторожности. Участки, на которых будет производиться перемещение, части, подлежащие перемещению, а также физическое состояние и здоровье людей, вовлечённых в процесс перемещения оборудования, должны соответствовать требованиям процедуры перемещения и транспортировки.
- Некоторое оборудование имеет большую массу, поэтому при перемещении убедитесь в принятии всех мер предосторожности по охране окружающей среды.
- Если сварочный аппарат предполагается использовать на платформе, необходимо убедиться в том, что такая платформа имеет соответствующие пределы нагрузки.
- При перемещении оборудования при помощи какого-либо механизма (тележка, вилочный погрузчик и пр.) убедитесь в надлежащем состоянии точек крепления механизма и оборудования (крепление подвесок, ремней для перемещения, болтов, гаек, колёс и т.п.).
- При выполнении перемещения вручную убедитесь в надлежащем состоянии приспособлений оборудования (подвески, ремни для перемещения и т.п.) и их креплений.

- С целью обеспечения необходимых требований для перемещения соблюдайте правила Международной организации труда в отношении веса перемещаемого оборудования, а также нормативы по перемещению оборудования, действующее в вашей стране.
- При перемещении источника питания используйте специальные приспособления (держатели или проушины). Запрещается перемещать оборудование, удерживая его за горелку, кабель или шланги. Перемещение газовых баллонов осуществляйте отдельно от всего оборудования.
- Перед перемещением сварочного и режущего оборудования демонтируйте все промежуточные соединения, осуществляйте поднятие и перемещение небольших частей посредством ручек, а более крупных частей с помощью соответствующих приспособлений (проушины) или вилочных погрузчиков.

Падение частей оборудования может привести к телесным повреждениям



Неправильное расположение источника питания или иного оборудования может привести к серьёзным травмам и повреждению имущества.

- Во избежание падений и опрокидывания вашего оборудование его необходимо разместить на основании (полу) или платформе с максимальным уклоном 10°. Это предупредит воспрепятствование подаче материала и риск застопоривания в кабелях и шлангах; предпочитайте для установки оборудования неподвижные широкие, не запылённые, легко вентилируемые участки. Во избежание опрокидывания газовых баллонов закрепите их, при наличии, на пригодной для баллонов платформе, находящейся на оборудовании, а при стационарном использовании, зафиксируйте баллон надёжным способом, прикрепив его к стене.
- Обеспечьте операторам лёгкий доступ к настройкам и подключениям на оборудовании.

Чрезмерная эксплуатация приводит к перегреву оборудования



- Обеспечьте остывание оборудования в соответствии с рабочим циклом.
- Перед повторным началом сварочных работ уменьшите коэффициент тока или загрузку рабочего цикла.
- Не закрывайте вентиляционные отверстия оборудования.
- Не устанавливайте фильтры в вентиляционные отверстия оборудования без разрешения производителя.

Дуговая сварка может вызвать электромагнитные помехи



- Данное устройство относится к группе 2, класс А в испытаниях электромагнитной совместимости (ЭМС) в соответствии со стандартом TS EN 55011.
- Данное устройства класса А не предназначено для эксплуатации в жилых помещениях с подачей электроэнергии от низковольтной сети. Возможны затруднения в достижении электромагнитной совместимости в связи с радиочастотными помехами, передача и распространение которых имеют место на таких участках.



Это устройство не соответствует стандарту IEC61000-3-12. При необходимости подключения к низковольтной сети, используемой в бытовых условиях, специалист, который будет осуществлять электрическое подключение, или лицо, которое будет эксплуатировать оборудование, должны быть осведомлены в вопросе особенности подключения оборудования, в этом случае пользователь несёт ответственность за проведение таких работ.

- Убедитесь, что рабочая зона соответствует электромагнитной совместимости (ЭМС). Электромагнитные помехи во время сварка / резка или резки могут вызвать нежелательные воздействия на ваши электронные устройства в вашей сети, и пользователь несёт ответственность за какие-либо помехи, которые могут возникнуть во время проведения работ.
- При возникновении каких-либо помех, могут быть приняты дополнительные меры для обеспечения совместимости в виде использования коротких кабелей, экранированных кабелей, перемещения сварочного аппарата в другое место, отдаления кабеля от оборудования и/или участка, попавшего под воздействие использования фильтров или защиты рабочего участка в аспекте ЭМС.
- Во избежание возможных повреждений в связи с нарушением ЭМС выполняйте сварочные работы как можно дальше (100м) от вашего чувствительного электронного оборудования.
- Убедитесь в установке и размещении вашего сварочного аппарата или газового резака в соответствии с руководством по эксплуатации.

**Оценка
электромагнитной
совместимости
рабочего
участка**



Согласно пункту 5.2 стандарта IEC 60974-9,

Перед установкой сварочного и режущего оборудования уполномоченное лицо предприятия и/ или пользователь должны произвести осмотр участка на предмет возможных электромагнитных помех на прилегающей территории. Необходимо обратить внимание на следующие вопросы:

- a) наличие других кабелей питания, кабелей управления, сигнальных и телефонных кабелей сверху, снизу и рядом со сварочным аппаратом и оборудованием;
- b) наличие радио- и телевизионных передатчиков и приемников;
- c) наличие компьютерного и иного оборудования, используемого для управления;
- d) наличие критического оборудования для обеспечения безопасности, например для защиты промышленного оборудования;
- e) наличие медицинских аппаратов (например, кардиостимуляторов и слуховых аппаратов), используемых населением на прилегающей территории;
- f) наличие оборудования, используемого для измерения или калибровки;
- g) невосприимчивость иного оборудования, находящегося на прилегающей территории. Пользователь должен убедиться, что иное оборудование, используемое на прилегающей территории, является совместимым. Это может потребовать дополнительных мер защиты;
- h) Границы рассматриваемого участка могут быть расширены в соответствии с размерами прилегающей территории, конструкцией зданий и иными работами, выполняемыми в здании, с учётом времени, в течение которого предполагается производить сварочные или иные работы в течение дня.

В дополнение к оценке участка также может потребоваться оценка мест установки устройств с целью устранения нарушающего совместимость воздействия. При необходимости, для подтверждения эффективности мер по снижению воздействия также можно провести измерения на месте. (Источник: МЭК 60974-9).

**Методы снижения
помех**



- Устройство должно быть подключено к источнику питания компетентным специалистом в соответствии с рекомендациями. При возникновении помех могут применяться дополнительные меры, такие как фильтрация сети. Электропитание оборудования для дуговой сварка / резка с фиксированным креплением должно осуществляться при помощи кабеля, проложенного через металлическую трубу или эквивалентного экранированного кабеля. Необходимо подключить экран и корпус источника питания, и между этими двумя конструкциями должен быть обеспечен хороший электрический контакт.
- Необходимо выполнять рекомендуемое плановое обслуживание устройства. При эксплуатации устройства должны быть закрыты и/или заперты все крышки корпуса оборудования. Без письменного разрешения производителя в устройство запрещается вносить какие-либо изменения или модификации, отличные от стандартных настроек. В противном случае вся ответственность за какие-либо последствия возлагается на пользователя.
- Сварочные кабели должны быть максимально короткими. Кабели должны выходить из пола рабочего участка бок о бок. Наматывание сварочных кабелей запрещено.
- Во время сварки / резки в оборудовании генерируется магнитное поле. Это может привести к притяжению оборудования металлическими предметами.
Для предотвращения этого убедитесь в размещении металлических материалов на безопасном расстоянии или в надёжной фиксации таких материалов. Оператор должен быть изолирован от всех таких взаимосвязанных металлических материалов.
- В случае отсутствия заземления обрабатываемого объекта или изделия, по соображениям электрической безопасности или в связи с его габаритными размерами и положением (например, при изготовлении корпуса судна или стальной конструкции), подключение между обрабатываемым объектом или изделием и землёй в некоторых случаях может снизить выбросы, и необходимо помнить, что заземление обрабатываемого объекта или изделия может привести к телесным повреждениям пользователя или неисправностям иного электрического оборудования, находящегося на прилегающей территории. При необходимости, заземление обрабатываемого объекта или изделия может быть выполнено прямым способом, но в некоторых странах, в которых прямое заземление запрещено, подключение может быть создано при помощи соответствующих элементов ёмкости в соответствии с местными нормами и правилами.
- Экранирование и защита других устройств и кабелей на рабочем участке может предотвратить возникновение воздействий, нарушающих совместимость. Для некоторых случаев может рассматриваться полное экранирование участка сварки / резки.

**Дуговая сварка
может создавать
электромагнитное
поле (ЭМП)**



Электрический ток, проходящий через какой-либо проводник, создаёт локальные электрические и магнитные поля (ЭМП). Все сварщики должны применять следующие процедуры с целью минимизации риска воздействия ЭМП от сварочной цепи:

- Для уменьшения магнитного поля сварочные кабели должны быть объединены и как можно более надёжно закреплены с помощью крепёжных материалов (ленты, кабельные стяжки и т.п.).
- Тело и голова сварщика/рабочего должны находиться как можно дальше от сварочного аппарата и кабелей.
- Сварочные и электрические кабели ни в коем случае нельзя наматывать на корпус аппарата.
- Тело сварщика не должно находиться между сварочными кабелями. Оба сварочных кабеля должны находиться вдали от тела сварщика, рядом друг с другом.
- Обратный кабель должен быть подключён к обрабатываемому объекту или изделию максимально близко к участку сварки / резки.
- Запрещается опираться, садиться на источник питания сварочного аппарата, а также работать в непосредственной близости к нему.
- Запрещается производить сварки / резки во время перемещения устройства подачи сварочной проволоки или источника питания сварочного аппарата.

ЭМП также может нарушать работу медицинских имплантатов (кардиостимуляторы и т.п.). В виду этого для людей с медицинскими имплантатами должны быть приняты отдельные меры предосторожности. Например, введение ограничений на доступ для пересекающих дорогу людей, а также оценка индивидуальных рисков для сварщиков. Оценка рисков и выдача рекомендаций для пользователей с медицинскими имплантатами должна выполняться медицинским работником.

Защита



- Не подвергайте оборудование воздействию дождя, избегайте попадания на оборудование брызг воды или пара под давлением.

Энергоэффективность



- Выберите метод сварки / резки и сварочный аппарат, соответствующий запланированным сварочным работам.
- Установите параметры сварочного тока и/или напряжения, соответствующие материалу, подлежащему сварки / резки, а также его толщине.
- При длительном простое сварочного оборудования выключите оборудование после его охлаждения вентилятором. Наше оборудование (наша продукция), оснащённое вентилятором с интеллектуальным управлением, отключается автоматически.

**Процедура утилизации
отходов**



- Это устройство не является бытовым мусором. Утилизация устройства должна осуществляться в рамках национального законодательства в соответствии с директивой Европейского Союза.
- Получите информацию об утилизации отходов вашего использованного оборудования у вашего дилера и компетентных лиц.

ФОРМА ГАРАНТИИ



Пожалуйста, посетите наш сайт www.magmaweld.ru/гарантийный-малон/wr для формы гарантии.

ТЕХНИЧЕСКАЯ ИНФОРМАЦИЯ

1.1 Общее описание

ID 65 PX и ID 65 P - высокопроизводительные аппараты для плазменной резки, предназначенный для резки и строжки. Компактный дизайн, легкая и портативная конструкция. Обеспечивает отличные характеристики резки и строжки. В модели ID 65 PX во время резки необходимое давление газа автоматически регулируется в зависимости от режима резки и используемой горелки. В модели ID 65 P необходимая регулировка давления газа производится вручную.

1.2 Комплектующие сварочного аппарата

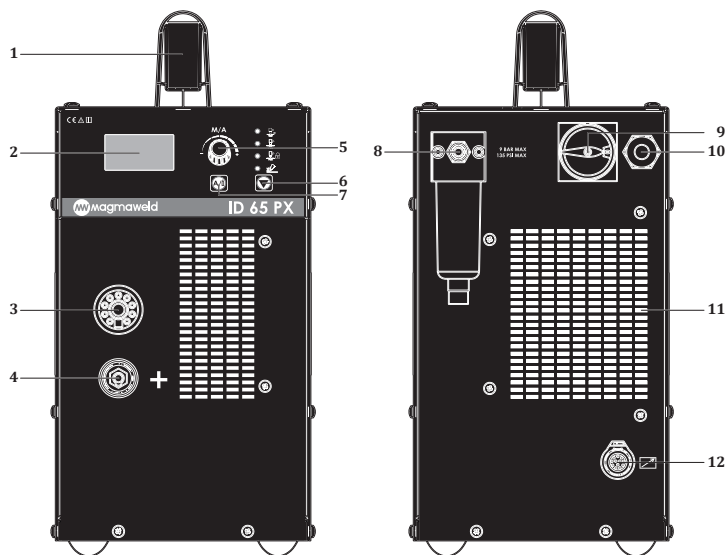


Рисунок 1 : ID 65 PX - Вид спереди и сзади

- | | |
|--|---|
| 1- Ручка для переноса | 7- Кнопка выбора силы тока/газа |
| 2- Цифровой экран | 8- Воздушный фильтр |
| 3- Коннектор горелки | 9- Переключатель вкл./выкл. |
| 4- Подсоединение клеммы заземления (+) | 10- Соединение силового кабеля |
| 5- Ручка регулятора | 11- Вентилятор |
| 6- Кнопка выбора режима резки | 12- Коннектор дистанционного управления |

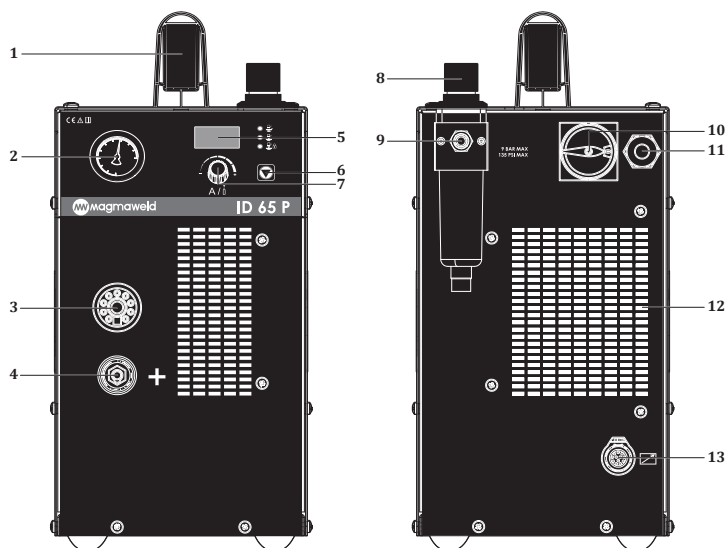


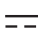



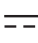
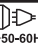



Рисунок 2 : ID 65 P - Вид спереди и сзади

- | | |
|---|---|
| 1- Ручка для переноса | 8- Ручка регулятора давления газа |
| 2- Индикатор давления газа ручной регулировки | 9- Воздушный фильтр |
| 3- Коннектор горелки | 10- Переключатель вкл./выкл. |
| 4- Подсоединение клеммы заземления (+) | 11- Соединение силового кабеля |
| 5- Цифровой экран | 12- Вентилятор |
| 6- Кнопка выбора режима резки | 13- Коннектор дистанционного управления |
| 7- Ручка регулятора | |

1.3 Этикетка продукта

MAGMA MEKATRONİK MAKİNE SAN. VE TİC. A.Ş. Organize Sanayi Bölgesi 5.Kısım Manisa-TÜRKİYE					
ID 65 PX		S/N:			
		EN 60974-1/-10 Cl. A			
		20A / 88V - 65A / 106V			
S	U ₀ =280V	X ^(40°C)	50%	60%	100%
		I ₂	65A	59A	46A
		U ₂	106V	103.7V	98.4V
	U _i =400V	I _{1max} = 17.8A	I _{1eff} = 12.61A		
IP21S	CE	EAC	UK CA		

MAGMA MEKATRONİK MAKİNE SAN. VE TİC. A.Ş. Organize Sanayi Bölgesi 5.Kısım Manisa-TÜRKİYE					
ID 65 P		S/N:			
		EN 60974-1/-10 Cl. A			
		20A / 88V - 65A / 106V			
S	U ₀ =280V	X ^(40°C)	50%	60%	100%
		I ₂	65A	59A	46A
		U ₂	106V	103.7V	98.4V
	U _i =400V	I _{1max} = 17.8A	I _{1eff} = 12.61A		
IP21S	CE	EAC	UK CA		

 Трехфазный Трансформатор - Выпрямитель



Вертикальная характеристика



Постоянный Ток



Плазменная резка



Сетевой Вход-3-Фазный Переменный Ток



Пригоден Для Работы В Опасных Условиях

X Рабочий цикл

U₀ Напряжение работы без нагрузки

U₁ Напряжение и частота сети

U₂ Номинальное напряжение сварочного тока

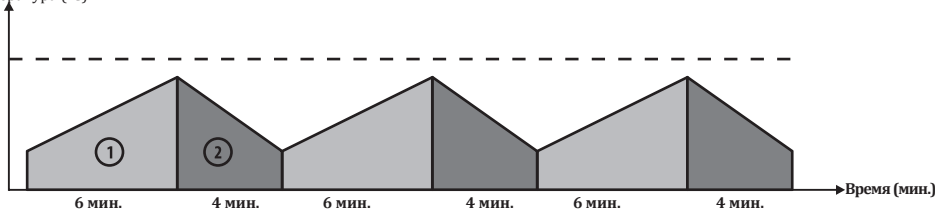
I₁ Номинальное потребление тока сети

I₂ Номинальный сварочный ток

S₁ Потребляемая мощность сети

IP21 класс защиты

Рабочий цикл
Температура (°C)



Согласно стандарту EN 60974-1, продолжительность рабочего цикла включает период времени 10 минут. Например, если машина, указанная как 100А при% 60, должна работать при 100А, машина может выполнять резку без перерыва в первые 6 минут из 10-минутного периода (зона 1). Тем не менее, следующие 4 минуты следует оставить без нагрузки для охлаждения машины (зона 2).

1.4 Технические характеристики

ТЕХНИЧЕСКИЕ ХАРАКТЕРИСТИКИ	Ед. изм.	ID 65 PX	ID 65 P
Сетевое напряжение (3 фаза - 50-60 Гц)	В	400	400
Сила тока сети	кВА	12,3	12,3
Текущий диапазон	А пост.тока	20 - 65	20 - 65
Номинальный ток	А пост.тока	65	65
Напряжение открытого контура сварки	В пост.тока	270	270
Рекомендуемая толщина резки (Все металлы)	мм	22 (500 мм / сек)	22 (500 мм / сек)
Максимальная толщина реза (Все металлы)	мм	28 (250 мм / сек)	28 (250 мм / сек)
Толщина прорыва (Все металлы)	мм	35 (125 мм / сек)	35 (125 мм / сек)
Строжка (3,5 мм D x 6,6 мм G)	кг	5 (за 1 час)	5 (за 1 час)
Размеры (ДxШxВ)	мм	628.1 x 219.3 x 453.7	628.1 x 219.3 x 453.7
Вес	кг	26	26
Класс защиты		IP21S	IP21S

Скорости резания в таблице являются результатами лабораторных испытаний Magmaweld. Он может варьироваться в зависимости от условий резки и условий окружающей среды.

1.5 Принадлежности

СТАНДАРТНЫЕ АКСЕССУАРЫ	КОЛ-ВО	КОД ПРОДУКТА
Зажим для заготовки и кабель	1	K301100343
Факел (ручной) *	1	7142H10506
Факел (механизированный) *	1	7142M10512

* Необходимо уточнять при оформлении заказа.

ИНФОРМАЦИЯ ПО УСТАНОВКЕ И НАСТРОЙКЕ

2.1 Контроль доставки

Убедитесь, что вместе со сварочным аппаратом доставлены все заказанные материалы. В случае отсутствия или повреждения какого-либо материала, немедленно свяжитесь с компанией, у которой был приобретен сварочный аппарат.

Стандартная комплектация сварочного аппарата содержит следующее:

- Главный корпус сварочного аппарата и сетевой кабель, подключенный к аппарату
- Гарантийный талон
- Горелка и расходные материалы
- Руководство по эксплуатации
- Клемма и кабель заземления

В случае если во время получения аппарата будут выявлены повреждения, составьте протокол и сфотографируйте повреждения. Приложите протокол и фотографии к фотокопии накладной и известите транспортную компанию. В случае отсутствия ответа на ваше обращение в транспортную компанию, обратитесь в службу поддержки клиентов.

Символы, указанные на устройстве, и их значения:



Процесс резки / сварки представляет опасность для человека и окружающих предметов. Выполнение сварки должно осуществляться в соответствующих условиях с принятием необходимых мер безопасности. Ответственность за сохранность и исправность сварочного аппарата, обеспечение необходимого оснащения возлагается на специалистов. Предупредите нахождение посторонних людей вблизи сварочного аппарата.



Данный сварочный аппарат не соответствует стандарту IEC 61000-3-12. В случае если сварочный аппарат будет подключен к сети низкого напряжения, используемого для электроснабжения жилых помещений, пользователь несет полную ответственность за обеспечение выполнения работ подключения электрических соединений сварочного аппарата электротехником или пользователем аппарата, имеющим знания и навыки по вопросам подключения сварочного аппарата.



Будьте внимательны и строго соблюдайте все символы и предупреждения безопасности, установленные на сварочном аппарате и указанные в Руководстве по эксплуатации. Запрещается удалять этикетки, установленные на сварочном аппарате.



Решетки предназначены для обеспечения вентиляции внутренних частей сварочного аппарата. С целью обеспечения хорошего охлаждения, запрещается закрывать доступ к открытым частям аппарата и размещать инородные предметы внутрь корпуса устройства.

2.2 Рекомендации по установке и эксплуатации

- Для перемещения машины следует использовать подъемные кольца или вилочные погрузчики. Не поднимайте машину с газовым баллоном. При переноске портативных сварочных аппаратов вручную необходимо соблюдать правила техники безопасности и охраны труда. На рабочем месте должны быть приняты необходимые меры для обеспечения того, чтобы процесс транспортировки осуществлялся в максимально возможном соответствии с условиями охраны труда и техники безопасности. Меры предосторожности следует принимать в соответствии с характеристиками рабочей среды и требованиями работы. Установите машину на твердую, ровную и гладкую поверхность, где она не упадет и не опрокинется.
- При работе в среде с температурой воздуха выше 40°C, выполняйте работы на сварочном аппарате при более низком сварочном токе или при более низком уровне продолжительности включения.
- Избегайте выполнения плазменной резки вне помещений при ветре или под дождем. Если необходимо выполнение плазменной резки при таких погодных условиях, обеспечьте защиту плазменной резки и аппарата плазменной резки завесой или тентом.
- При размещении сварочного аппарата убедитесь, что такие материалы, как стены, шторы, панели не препятствуют легкому доступу к органам управления и соединениям сварочного аппарата.
- Если плазменная резка выполняется внутри помещения, обеспечьте достаточную систему вытяжки дыма. В процессе плазменной резки образуются вредные для здоровья частицы пыли, дым и газы. При выполнении сварки в закрытых помещениях, в связи с риском вдыхания дыма и газов, используйте респираторные маски.

- Соблюдайте уровень продолжительности включения сварочного аппарата, указанного на заводской табличке устройства. Частое превышение времени работы под нагрузкой может стать причиной повреждения сварочного аппарата и аннулирования гарантийного срока.
- Используйте кабель электропитания, соответствующие указанным параметрам предохранителя.
- Источник питания должен быть заземлен в соответствии с местными и национальными электротехническими нормами.
- Убедитесь, что соединения подачи газа от источника выполнены правильно. Если в качестве источника газа используется сжатый газ в баллоне, закрепите баллон с газом таким образом, чтобы предупредить опрокидывания баллона.

2.3 Подсоединение электрической розетки



С целью обеспечения вашей безопасности, категорически запрещается использование сетевого кабеля без вилки. Обеспечьте адекватную защиту аппарата путем установки предохранителя с задержкой срабатывания и аварийный выключатель, который быстро отключит линию подачи электричества в экстренной ситуации.

- Используйте заземляющий (обратный) проводник, соответствующий источнику питания. Коннектор заземляющего проводника вставьте до щелчка в гнездо на блоке питания и убедитесь, что коннектор прочно зафиксирован в гнезде.
- Электрические соединения должны выполняться квалифицированным электриком в соответствии с местными и национальными нормами.

2.4 Подключение к сети



Перед вставлением вилки сетевого кабеля в розетку сетевого электроснабжения убедитесь, что переключатель вкл./выкл. на аппарате установлен в положении "0".

- Перед подключением аппарата к сети, в первую очередь, при помощи вольтметра проверьте напряжение 3-х фаз. Убедитесь, что все фазы подсоединены правильно и затем вставьте вилку в розетку.
- Включите аппарат при помощи переключателя Включ./Выключ.
- После того, как на экране появится символ MW, аппарат готов к включению. (ID 65 PX)
- Выключите сварочный аппарат, переключив переключатель вкл./выкл. в положение "0".

2.5 Соединения для плазменной резки



Во время выполнения резки следует соблюдать осторожность, необходимо использовать соответствующую защитную одежду и перчатки.

2.5.1 Газовые соединения

- Если газ подается от газового трубопровода в цеху или от газового баллона, регулятор расхода газа должен обеспечивать подачу газа к впускному отверстию для воздуха на аппарате.
- В случае использования газового баллона, закрепите баллон с газом таким образом, чтобы предупредить опрокидывания баллона.
- С целью обеспечения безопасности и получения хороших результатов сварки, используйте регулятор расхода газа, соответствующий стандартам. Качество подачи газа влияет на рабочие характеристики процесса резки и качество расходных материалов.
- Обратите внимание на то, чтобы линия подачи газа была защищена от попадания таких загрязнителей, как масло и пыль.
- С целью обеспечения удаления возможной пыли и частиц, на некоторое время откройте вентиль газового баллона.
- Подключите регулятор расхода газа к газовому баллону, убедитесь, что гайка регулятора расхода газа полностью соответствует винтовой резьбе штуцера на выходе газа газового баллона.

- Подсоедините один конец газового шланга к регулятору расхода газа, другой конец - к входному отверстию газа на задней панели сварочного аппарата и откройте вентиль на газовом баллоне.
- При помощи клапана регулятора давления отрегулируйте расход газа.
- Убедитесь, что в местах соединения отсутствует утечка газа.
- В случае если давление на входе газа будет превышать верхние предельные значения, может возникнуть повреждение воздушного фильтра.

Источник газа	Чистый, сухой, обезжиренный воздух или азот
Рекомендуемые пропорции/давление входной подачи газа	Резка: при 5,5 бар 185 л/мин. Стrojка: при 4,6 бар 208 л/мин.

RU

2.5.2 Подсоединение клемм заземления

- Вилку кабеля клеммы заземления вставьте в гнездо заземления и хорошо зафиксируйте, повернув вправо. Убедитесь в прочности соединения.
- Для улучшения качества резки, клемму заземления прочно подсоедините к рабочей заготовке как можно ближе к зоне резки.
- Убедитесь в наличии хорошего контакта от металла к металлу. Категорически запрещается подсоединять клемму заземления к той части рабочей заготовки, которая будет отрезана от изделия.



Для обеспечения личной безопасности, уменьшения электромагнитных помех и создания безопасных условий выполнения работы необходимо обеспечить заземление источника питания в соответствии с национальными и местными электротехническими нормами.

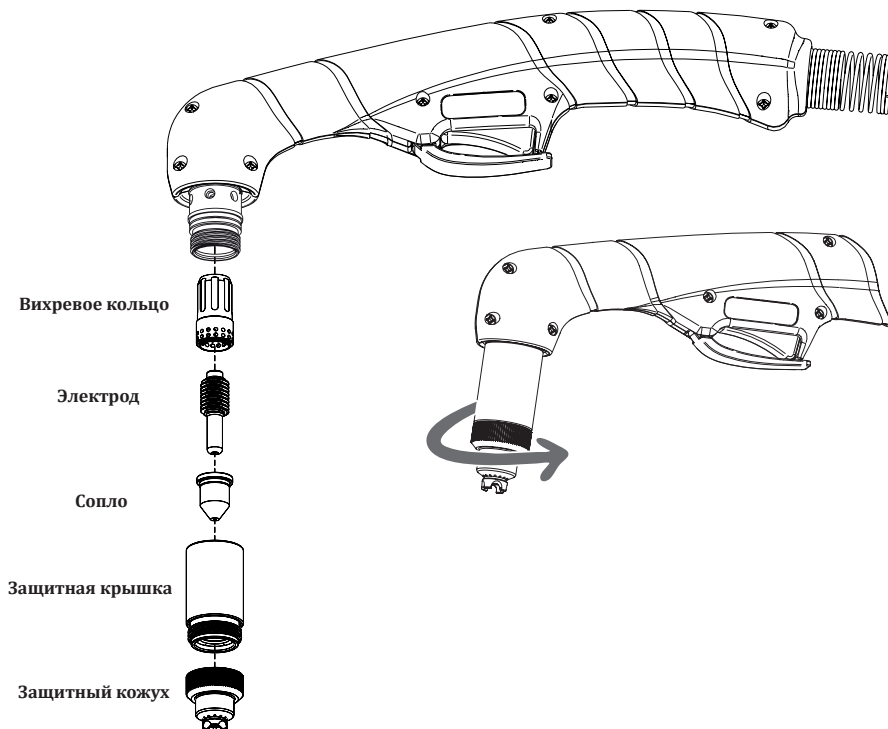
2.5.3 Соединения горелки

- В зависимости от метода резки, который будет использоваться с источником питания, следует использовать соответствующую горелку для плазменной резки марки Magmaweld.
- Горелка с ручным управлением используется для ручной резки, а механизированная горелка - для механизированной резки.
- Для подсоединения горелки вставьте коннектор горелки в гнездо на источнике питания и поверните вправо. Убедитесь в прочности соединения.
- Во время подключения горелки источник питания должен быть отключен.
- Подробную информацию о горелках см. в Разделе 5.1.



2.6 Установка расходных материалов

- Для ручной и механизированной горелки используются различные расходные материалы.
- В первую очередь необходимо подготовить расходные материалы горелки.
- Выбирайте расходные материалы в зависимости от типа используемой горелки и метода резки.
- Расходные материалы должны устанавливаться в указанной последовательности.



- Срок службы расходных материалов зависит от материала, для которого выполняется резка, толщины, длины реза, метода резки, расстояния до материала, качества воздуха и частота выхлопов. это зависит. Если частота выхлопов высокая, расходные материалы будут подвержены быстрому износу.
- При работе с расходными материалами с защитными приспособлениями, во время резки конец горелки может касаться металла, для которого выполняется резка. При работе с расходными материалами без защитных приспособлений, расстояние между заготовкой и горелкой должно быть 2-3 мм.
- Подробную информацию о расходных материалах см. в Разделе 5.1.



После нажатия на триггер горелки немедленно возникает плазменная дуга. Перед заменой расходных материалов обязательно убедитесь в том, что источник питания отключен.

2.7 Пилотная дуга

В процессе плазменной резки используется ионизированный газ с высокой электропроводностью. В момент срабатывания плазменной горелки включается питание постоянного тока, и в горелке за короткое время начинается быстрый поток газа. Эта мощность постоянного тока ионизирует газ в горелке, и возникает дуга. Дуга, которая сужается и усиливается горелкой, называется вспомогательной дугой (Pilot arc).

Вспомогательная дуга (Pilot arc) вытесняется из сопла горелки газами с высокой скоростью. При соприкосновении с разрезаемым металлом образуется основной ток и начинается резка. Процесс резки продолжается перемещением горелки.

2.8 Дистанционное управление

Дистанционное управление активизируется только при использовании механизированной горелки. Для подключения дистанционного управления позади аппарата имеется гнездо для разъема. После выполнения соответствующего подсоединения к гнезду позади источника питания будет получен доступ к масштабированию напряжения дуги и сигналам переноса дуги и зажигания плазмы.

Подробную информацию о схеме подсоединения контура автоматического управления см. в Разделе 5.2.

Настройка делителя напряжения

Блок питания имеет пятипозиционный делитель напряжения.

Информация о напряжении устанавливается с помощью делителя напряжения. Заводская настройка делителя напряжения 20:1. В таблице ниже показано расположение коммутационных DIP-переключателей для настройки делителя напряжения.



20:1



20.1:1



30:1



40:1



50:1



: Показывает, что переключатель установлен в верхнем положении.

Аппарат плазменной резки ID65 PX использует два типа интерфейсов автоматизации с использованием цифровых и аналоговых сигналов обмена данными.

Аппарат плазменной резки ID65 P использует только один интерфейс автоматизации с использованием аналоговых сигналов обмена данными.

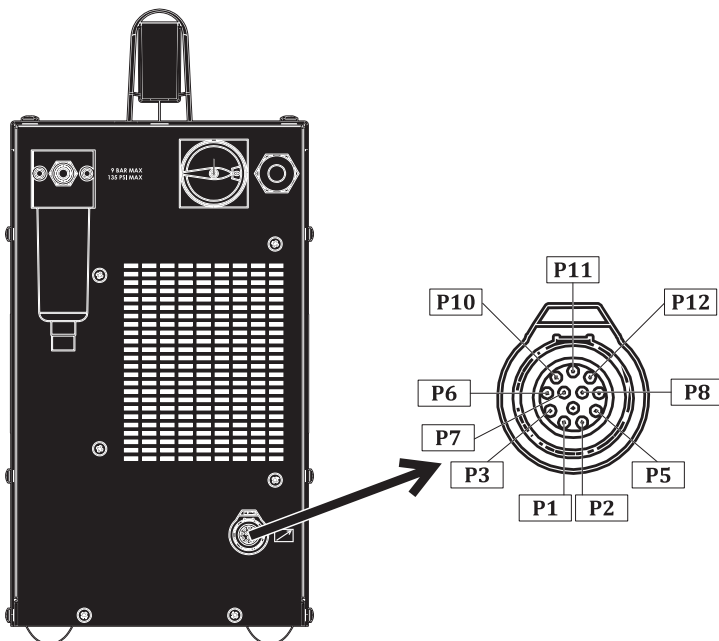
1) Цифровой обмен данными

Внутри аппарата дополнительно устанавливается дополнительное гнездо и электронная карта. Посредством них обеспечивается цифровой обмен данными по протоколу Modbus. Дополнительно к аналоговому обмену данными:

- Обеспечивается возможность дистанционной настройки тока аппарата.
- Дистанционная настройка тока резки и давления газа в зависимости от разрезаемого материала.
- Дистанционное переключение режимов работы аппарата.
- Все коды ошибок аппарата отправляются в интерфейс автоматизации. Таким образом обеспечивается остановка машины или предупреждение оператора.

Гнезда коннекторов для сигналов, которые будут использоваться вдоль интерфейсного кабеля машины, показаны на рисунке ниже. В таблице указаны сведения о сигналах. В случаях, когда источник питания посредством интерфейсного кабеля аппарата должен быть подключен к станку с ЧПУ или регулятору высоты резака, следует учитывать информацию следующей таблицы:

RU

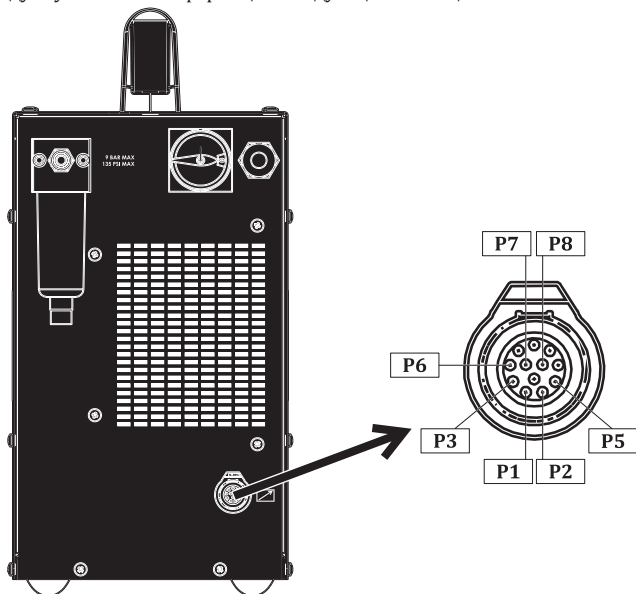


Название соединения	Гнездо коннектора	Описание
Старт (триггер)	P5, P2	24 VDC - Напряжение открытого контура. Для активации необходимо закрыть сухой контакт.
Подтверждение дуги	P1, P3	В нормальном состоянии открытый контакт. После возбуждения плазменной дуги контакт придет в закрытое положение. (Макс.: 220 VDC 2A)
Обмен данными	P10 (A) P11 (B) P12 (GND)	ModBus
Делитель напряжения	P7 (+) P8 (-)	Аппарат выполнит настройку выходного напряжения в соответствии с системой управления. Выполнит понижение выходного напряжения 20:1, 21.1:1, 30:1, 40:1, 50:1.
Земля	P6	Для обеспечения безопасности оборудования рекомендуется подсоединить вашу систему к точке заземления.

2) Аналоговый обмен данными

Работает от сухого контакта. Блок автоматизации посредством сухого контакта отправляет сигнал для включения аппарата плазменной резки, возникает пилотная плазменная дуга. После возбуждения пилотной дуги аппарат плазменной резки посредством сухого контакта направляет сигнал в блок автоматизации. В момент начала процесса резки аппарат передает сигнал о напряжении плазменной дуги для выполнения регулировки расстояния между заготовкой и горелкой блоком контроля расстояния системы автоматизации.

Гнезда коннекторов для сигналов, которые будут использоваться вдоль интерфейсного кабеля машины, показаны на рисунке ниже. В таблице указаны сведения о сигналах. В случаях, когда источник питания посредством интерфейсного кабеля аппарата должен быть подключен к станку с ЧПУ или регулятору высоты резака, следует учитывать информацию следующей таблицы:



Название соединения	Гнездо коннектора	Описание
Старт (триггер)	P5, P2	24 VDC - Напряжение открытого контура. Для активации необходимо закрыть сухой контакт.
Подтверждение дуги	P1, P3	В нормальном состоянии открытый контакт. После возбуждения плазменной дуги контакт придет в закрытое положение. (Макс.: 220 VDC 2A)
Делитель напряжения	P7 (+) P8 (-)	Аппарат выполнит настройку выходного напряжения в соответствии с системой управления. Выполнит понижение выходного напряжения 20:1, 21.1:1, 30:1, 40:1, 50:1.
Земля	P6	Для обеспечения безопасности оборудования рекомендуется подсоединить вашу систему к точке заземления.

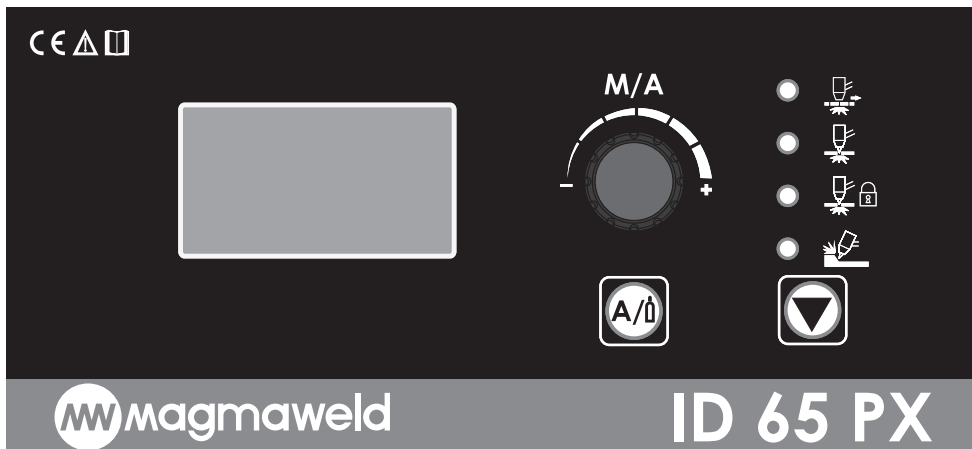






Установка интерфейсного кабеля и платы делителя напряжения аппарата должны выполняться авторизованным техсервисом.




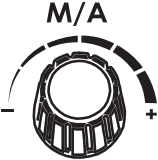

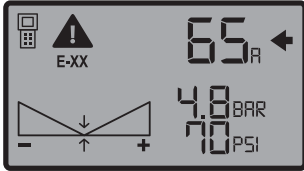
В случаях когда интерфейсное гнездо на задней панели аппарата не используется, гнездо должно быть закрыто заглушкой для защиты от пыли и влаги.



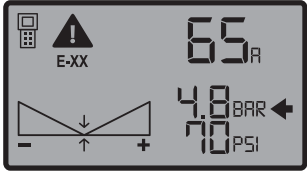






ИНФОРМАЦИЯ ПО ЭКСПЛУАТАЦИИ

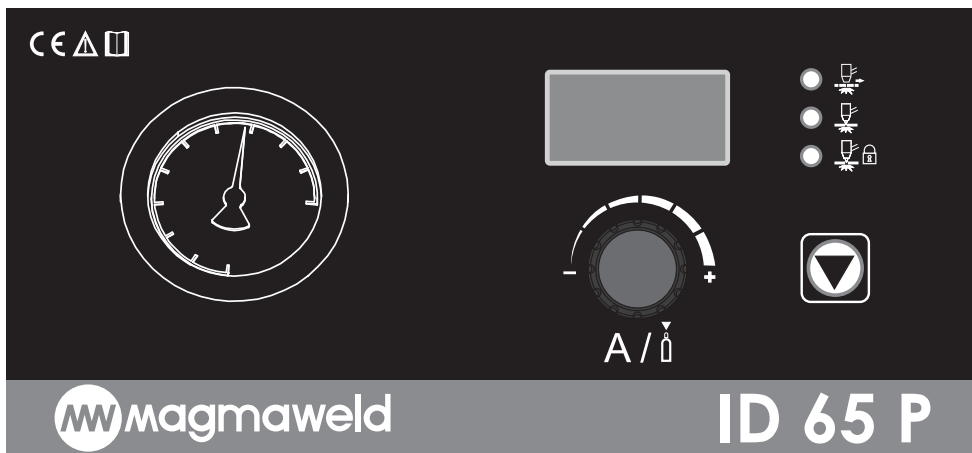
3.1 Интерфейс пользователя



	<p>Цифровой индикатор Цифровой экран обеспечивает возможность наблюдать за установленными параметрами сварочного тока, значениями давления, графика давления и кодами ошибок.</p>
	<p>Режимы резки</p> <p> Резка решетчатой заготовки</p> <p>Данный режим применяется для резки материалов, представляющих чередование металла и полостей, такие как решетка. Если данный режим не будет использоваться при резке материалов с отверстиями, такие как решетки, после возбуждения пилотной дуги будет начата резка материала, но при первом же переходе в зону полости пилотная дуга затухнет. После перехода от полости к металлической части для продолжения резки необходимо снова нажать на триггер и возбудить пилотную дугу. Для того, чтобы тот процесс был разработан режим резки решетчатых заготовок. В этом режиме после нажатия на триггер возбуждается пилотная дуга и выполняется резка материала, при переходе к полости пилотная дуга уменьшается и после перехода к следующей металлической части вновь восстанавливается пилотная дуга. Такой цикл работы повторяется до тех пор, пока вы не отпустите триггер. После отпускания триггера процесс резки будет завершен.</p> <p> Нормальный режим резки</p> <p>В нормальном режиме резки в момент нажатия на триггер возникнет плазменная дуга и начнется процесс резки. В конце рабочей заготовки, даже если вы не отпустите триггер, дуга затухнет и вы сможете отпустить триггер. Дуга погаснет и в том случае, если вы отпустите триггер в середине рабочей заготовки. Для продолжения работы в момент нажатия на триггер возникнет пилотная дуга.</p>

	<p> Фиксатор триггера горелки</p> <p>В этом режиме в момент нажатия на триггер возникнет пилотная дуга. После начала резки вы можете убрать руку от триггера, процесс резки будет продолжен. В конце рабочей заготовки (в момент, когда будет определена полость) пилотная дуга погаснет и будет выполнен выход из режима. После повторного нажатия на триггер начнется резка материала и режим снова активируется. Данный режим резки облегчает процесс резки в особенности длинных рабочих заготовок, резка может выполняться без необходимости постоянного нажатия на триггер.</p> <p> Строжка</p> <p>При выборе метода строжки в автоматическом режиме расход газа будет автоматически отрегулирован аппаратом. При строжке необходимо выполнить замену расходных материалов горелки для выполнения строжки. В момент нажатия на триггер возникнет пилотная дуга. Строжка будет выполняться вдоль всей рабочей заготовки, в конце рабочей заготовки или в момент, когда будет определена полость, пилотная дуга погаснет и можно убрать палец от триггера.</p>
	<p>Ручка регулятора (М/А: Ручной/ Автоматический режим)</p> <p>После включения аппарат начнет работать в автоматическом режиме, на экране не будет виден график давления газа. В автоматическом режиме ручка регулятора используется только для регулировки тока. Поворотом ручки вправо и влево можно установить необходимое значение тока в определенном диапазоне допусков. В автоматическом режиме блок питания автоматически выполнит регулировку газа в зависимости от типа и длины горелки. Автоматически выполнит настройку наиболее оптимального давления газа. Выполнение настройки давления газа блоком питания, наряду с облегчением работы, предупреждает возможные ошибки при регулировке давления газа пользователем.</p> <p>Для перехода в ручной режим необходимо 1 раз нажать на ручку регулятора и на экране появится график давления газа. В ручном режиме при помощи ручки регулятора выполняется настройка тока и давления газа. Нажатием на кнопку выбора Ток/Газ выполняется переход к регулировке тока или газа. При переходе к окну тока, рядом появится стрелка. Поворотом ручки вправо и влево устанавливается необходимое значение тока в определенном диапазоне допусков. </p> <p>Если на графике давления газа стрелки находятся по середине, это означает, что установленное оптимальное значение, рекомендованное системой аппарата.</p> 

	<p> После нажатия на кнопку выбора Ток/Газ и перехода к окну настройки газа рядом появится стрелка. Блок питания выполнит автоматическую настройку давления газа. Вместе с этим, пользователь может установить значения давления газа в определенном диапазоне допусков. Поворотом ручки вправо выполняется повышение давления газа и график давления газа начнет смещаться вправо. Поворотом ручки влево выполняется повышение давления газа и график давления газа начнет смещаться влево. В зависимости от установленного значения тока наиболее оптимальное давление газа будет указано непосредственно в центре графика.</p> 
	<p>График давления газа Значения давления газа показываются на экране в виде графика.</p> <p>Если график пустой, это означает что выбрано оптимальное давление газа, установленное блоком питания. В середине графика указывается оптимальное значение газа (4.8 бар / 70 Пси).</p> <p>При настройке давления газа, если ручка будет повернута вправо, давление газа повысится. На графике начнет заполняться поле справа. Максимальная настройка давления газа 5.5 бар (80 Пси).</p>  <p>При настройке давления газа, если ручка будет повернута влево, давление газа снизится. На графике начнет заполняться поле слева. Минимальная настройка давления газа 4.4 бар (64 Пси).</p> 
	<p>Кнопка выбора Ток/Газ В ручном режиме обеспечивает переход к регулировке значений тока и давления газа. После перехода настройка выполняется поворотом ручки регулятора.</p>
	<p>Код неисправности Показывает символ ошибки и код.</p>
	<p>Удаленное подключение Показывает активный режим удаленного подключения.</p>



RU

	<p>Цифровой индикатор Цифровой экран обеспечивает возможность наблюдать за установленными параметрами сварочного тока, значениями давления, графика давления и кодами ошибок.</p>
	<p>Режимы резки</p> <p> Резка решетчатой заготовки</p> <p>Данный режим применяется для резки материалов, представляющих чередование металла и полостей, такие как решетка. Если данный режим не будет использоваться при резке материалов с отверстиями, такие как решетки, после возбуждения пилотной дуги будет начата резка материала, но при первом же переходе в зону полости пилотная дуга затухнет. После перехода от полости к металлической части для продолжения резки необходимо снова нажать на триггер и возбудить пилотную дугу. Для того, чтобы тот процесс был разработан режим резки решетчатых заготовок. В этом режиме после нажатия на триггер возбуждается пилотная дуга и выполняется резка материала, при переходе к полости пилотная дуга уменьшается и после перехода к следующей металлической части вновь восстанавливается пилотная дуга. Такой цикл работы повторяется до тех пор, пока вы не отпустите триггер. После отпускания триггера процесс резки будет завершен.</p> <p> Нормальный режим резки</p> <p>В нормальном режиме резки в момент нажатия на триггер возникнет плазменная дуга и начнется процесс резки. В конце рабочей заготовки, даже если вы не отпустите триггер, дуга затухнет и вы сможете отпустить триггер. Дуга погаснет и в том случае, если вы отпустите триггер в середине рабочей заготовки. Для продолжения работы в момент нажатия на триггер возникнет пилотная дуга.</p>

	 <p>Фиксатор триггера горелки</p> <p>В этом режиме в момент нажатия на триггер возникнет пилотная дуга. После начала резки вы можете убрать руку от триггера, процесс резки будет продолжен. В конце рабочей заготовки (в момент, когда будет определена полость) пилотная дуга погаснет и будет выполнен выход из режима. После повторного нажатия на триггер начнется резка материала и режим снова активируется. Данный режим резки облегчает процесс резки в особенности длинных рабочих заготовок, резка может выполняться без необходимости постоянного нажатия на триггер.</p>
 <p>A / </p>	<p>Ручка регулятора </p> <p>A : Настройка Тока /  Настройка газа</p> <p>Поворотом ручки вправо и влево устанавливается необходимое значение тока в определенном диапазоне допусков.</p> <p>Для перехода к настройке газа необходимо 1 раз нажать на ручку регулятора. Аппарат перейдет в режим свободной настройки давления газа и на индикаторе давления газа появится значение около 4.2 бар. Путем переключения вверх рычага настройки давления газа на воздушном фильтре выполните переход в свободный режим настройки и затем поворотом ручки вправо/влево выполните повышение/снижение давления. </p>
	<p>Индикатор давления</p> <p>Показывает давление внутри горелки.</p>

3.2 Использование горелки

При выполнении резки сдвиньте вперед защитную крышку на триггере горелки и нажмите на триггер горелки. В момент нажатия на триггер горелки возникнет плазменная дуга. Для выполнения качественной резки необходимо медленно продвигать конец горелки вдоль разрезаемого материала. При подсоединении автоматизированной горелки аппарат определит автоматизацию горелки и начнет ожидать сигнала в промежуточный блок автоматизации, расстояния. Направит необходимые сигналы в промежуточный блок автоматизации.

Подробную информацию о горелках см. в Разделе 5.1.



При включенном блоке питания триггер горелки находится в активированном состоянии. Убедитесь, что ваша рука не находится на пути выполнения резки.

Категорически запрещается держать рукой рабочую заготовку, направлять горелку по направлению к себе или другим людям.



ТЕХОБСЛУЖИВАНИЕ И УСТРАНЕНИЕ НЕИСПРАВНОСТЕЙ

- Техобслуживание и ремонт сварочного аппарата должны выполняться только квалифицированными специалистами. Компания не несет ответственности в связи с аварийными ситуациями, возникающими в результате выполнения техобслуживания и ремонта лицами без соответствующей квалификации.
- Запасные части, используемые во время ремонта, можно приобрести в авторизованных техслужбах. Использование оригинальных запасных частей обеспечит продление срока эксплуатации и предупредит снижение рабочих показателей сварочного аппарата.
- Обращайтесь только к производителю или в авторизованные техслужбы, указанные производителем.
- В течение гарантийного срока выполнение любых вмешательств в конструкцию сварочного аппарата без предварительного согласия производителя может стать причиной аннулирования всех гарантийных обязательств производителя.
- Во время выполнения любых процедур техобслуживания и ремонта обязательно соблюдайте правила техники безопасности.
- Перед началом выполнения любых видов процедур техобслуживания или ремонта отсоедините вилку сетевого кабеля сварочного аппарата и выждите 10 секунд для разряда напряжения на конденсаторах.

RU

4.1 Техобслуживание



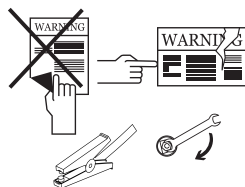
Ежедневное техобслуживание

- Регулярно выполняйте контроль состояния расходных материалов горелки, замените если имеются повреждения. Для обеспечения продолжительного срока службы расходных деталей, обратите внимание, чтобы использовались оригинальные расходные материалы.



Один раз в 3 месяца

- Запрещается удалять этикетки с поверхности сварочного аппарата. Изношенные/поврежденные этикетки замените на новые. Этикетки можно приобрести в авторизованных техслужбах.
- Проверьте зажимы и кабели. Обратите внимание на состояние и прочность соединений частей.
- Поврежденные/неисправные части замените на новые. Категорически запрещается выполнять ремонт/удлинение кабеля.
- Убедитесь, что имеется достаточная площадь для обеспечения вентиляции.



Один раз в 6 месяцев

- Очистите и зажмите соединительные элементы, такие как гайки и болты. Проверьте клеммы кабеля заземления. Откройте боковые крышки аппарата и очистите внутреннюю часть при помощи сухого воздуха под низким давлением или вакуумным аппаратом. Не используйте воздух под давлением на близком расстоянии от электрических соединений.
- Убедитесь, что воздушный фильтр чистый. Если загрязнен, замените на новый.



ПРИМЕЧАНИЕ: Вышеуказанные периоды являются максимальными периодами для выполнения техобслуживания в случаях, если сварочный аппарат работает без каких-либо сбоев. В зависимости от интенсивности работ и загрязнения рабочей среды,



Категорически запрещается выполнять плазменную резку при демонтированных крышках корпуса аппарата.

4.2 Устранение неисправностей

В таблице ниже указаны возможные неисправности и рекомендуемые способы устранения.

Неисправность	Причина	Устранение
Аппарат не работает	<ul style="list-style-type: none"> • Проблема в электросоединения аппарата 	<ul style="list-style-type: none"> • Убедитесь, что аппарат подключен с источником электропитания • Если проблема сохраняется, свяжитесь с техслужбой
	<ul style="list-style-type: none"> • Неправильное подсоединение сетевого электропитания 	<ul style="list-style-type: none"> • Проверьте правильное подключение сетевого кабеля • Если проблема сохраняется, свяжитесь с техслужбой
	<ul style="list-style-type: none"> • Неправильный предохранитель сетевого электропитания или повреждение сетевого кабеля 	<ul style="list-style-type: none"> • Проверьте предохранители на линии подачи сетевого электропитания, сетевой кабель и штекер сетевого кабеля. • Если проблема сохраняется, свяжитесь с техслужбой
	<ul style="list-style-type: none"> • Неправильно работает переключатель вкл./выкл. 	<ul style="list-style-type: none"> • Проверьте переключатель вкл./выкл. • Если проблема сохраняется, свяжитесь с техслужбой
Аппарат работает, но резка не выполняется	<ul style="list-style-type: none"> • Возможно не соответствует давление и расход воздуха 	<ul style="list-style-type: none"> • Проверьте давление и качество воздуха. Убедитесь, что давление и расход воздуха адекватны, воздух сухой и чистый • Если проблема сохраняется, свяжитесь с техслужбой
	<ul style="list-style-type: none"> • Возможно несоответствует сетевое напряжение 	<ul style="list-style-type: none"> • Убедитесь, что к аппарату подается адекватное сетевое напряжение • Если проблема сохраняется, свяжитесь с техслужбой
	<ul style="list-style-type: none"> • Возможно отсутствует подсоединение зажима заземления к рабочей заготовке или аппарату 	<ul style="list-style-type: none"> • Убедитесь, что клемма заземления подсоединена к рабочей заготовке и аппарату. Очистите зону контакта клеммы заземления с рабочей заготовкой • Убедитесь, что клемма заземления не имеет повреждений • Если проблема сохраняется, свяжитесь с техслужбой
	<ul style="list-style-type: none"> • Возможно изношены или повреждены горелка и/или расходные материалы 	<ul style="list-style-type: none"> • Убедитесь, что горелка и/или расходные материалы не изношены и не повреждены, если необходимо, замените на новые • Если проблема сохраняется, свяжитесь с техслужбой
<ul style="list-style-type: none"> • Не выполняется переход дуги на рабочую заготовку 	<ul style="list-style-type: none"> • Убедитесь, что поверхность рабочей заготовки чистая и не имеет окрашенного слоя • Убедитесь, что между горелкой и рабочей заготовкой имеется соответствующее расстояние • Если проблема сохраняется, свяжитесь с техслужбой 	

Неисправность	Причина	Устранение
Аппарат работает, но не выполняют хорошую резку	<ul style="list-style-type: none"> Возможно не соответствует давление и расход воздуха, возможно загрязнены элементы воздушного фильтра 	<ul style="list-style-type: none"> Проверьте давление и качество воздуха. Убедитесь, что давление и расход воздуха адекватны, воздух сухой и чистый Если проблема сохраняется, свяжитесь с техслужбой
	<ul style="list-style-type: none"> Возможно изношены или повреждены горелка и/или расходные материалы 	<ul style="list-style-type: none"> Убедитесь, что горелка и/или расходные материалы не изношены и не повреждены, если необходимо, замените на новые Если проблема сохраняется, свяжитесь с техслужбой
	<ul style="list-style-type: none"> Возможно неправильно выбраны или не установлены горелка и/или расходные материалы 	<ul style="list-style-type: none"> Убедитесь, что установлены и используются правильные горелка и/или расходные материалы Если проблема сохраняется, свяжитесь с техслужбой
	<ul style="list-style-type: none"> Возможно неправильно выбран режим резки 	<ul style="list-style-type: none"> Убедитесь в правильном выборе режима резки Если проблема сохраняется, свяжитесь с техслужбой
	<ul style="list-style-type: none"> Возможно выбрано неправильное значение силы тока 	<ul style="list-style-type: none"> Выберите правильное значение силы тока в соответствии с толщиной и типом материала для выполнения резки Если проблема сохраняется, свяжитесь с техслужбой
	<ul style="list-style-type: none"> Возможно скорость резки и толщина реза выше предусмотренного для рабочих характеристик аппарата 	<ul style="list-style-type: none"> Убедитесь, что скорость резки и толщина реза соответствуют возможностям аппарата Если проблема сохраняется, свяжитесь с техслужбой
	<ul style="list-style-type: none"> Возможно слишком большое расстояние между горелкой и рабочей заготовкой или неправильный уклон 	<ul style="list-style-type: none"> Убедитесь, что расстояние между горелкой и рабочей заготовкой и уклон установлены правильно Если проблема сохраняется, свяжитесь с техслужбой
	<ul style="list-style-type: none"> Возможно неправильное направление резки 	<ul style="list-style-type: none"> Убедитесь в правильном направлении резки Если проблема сохраняется, свяжитесь с техслужбой

4.3 Коды неисправностей

В приведенном ниже списке указаны все коды ошибок сварочных аппаратов. Учитывайте коды ошибок, относящиеся к вашему сварочному аппарату.

Код неисправности	Неисправность	Причина	Устранение
E01	Тепловая защита (Начальный)	<ul style="list-style-type: none"> • Время безотказной работы вашей машины могло быть превышено 	<ul style="list-style-type: none"> • Дайте машине остыть, немного подождите. Если неисправность исчезнет, попробуйте использовать его при более низких значениях силы тока • Если проблема не исчезнет, обратитесь в авторизованный сервисный центр
		<ul style="list-style-type: none"> • Вентилятор может не работать 	<ul style="list-style-type: none"> • Визуально проверьте, работает вентилятор или нет • Если проблема не исчезнет, обратитесь в авторизованный сервисный центр
		<ul style="list-style-type: none"> • Передняя часть каналов впуска и выпуска воздуха может быть заблокирована 	<ul style="list-style-type: none"> • Откройте воздуховоды • Если проблема не исчезнет, обратитесь в авторизованный сервисный центр
		<ul style="list-style-type: none"> • Рабочая среда машины может быть очень жаркой или душной 	<ul style="list-style-type: none"> • Убедитесь, что рабочая среда машины не слишком жаркая или душная • Если проблема не исчезнет, обратитесь в авторизованный сервисный центр
E02	Низкое напряжение сети	<ul style="list-style-type: none"> • Возможно, упало сетевое напряжение 	<ul style="list-style-type: none"> • Проверьте кабели подключения к сети и напряжение. Убедитесь, что подано правильное входное напряжение. Если сетевое напряжение в норме, обратитесь в авторизованный сервисный центр
E03	Напряжение сети высокое	<ul style="list-style-type: none"> • Возможно, напряжение в сети увеличилось 	<ul style="list-style-type: none"> • Проверьте кабели подключения к сети и напряжение. Убедитесь, что подано правильное входное напряжение. Если сетевое напряжение в норме, обратитесь в авторизованный сервисный центр
E04	Ошибка чтения тока / напряжения	<ul style="list-style-type: none"> • Возможна аппаратная ошибка 	<ul style="list-style-type: none"> • Обратитесь в авторизованный сервисный центр
E05	Ошибка чтения датчика температуры	<ul style="list-style-type: none"> • Возможна аппаратная ошибка 	<ul style="list-style-type: none"> • Обратитесь в авторизованный сервисный центр
E06	Ошибка блока водяного охлаждения	<ul style="list-style-type: none"> • Возможно, неисправен блок водяного охлаждения 	<ul style="list-style-type: none"> • Проверьте разъем блока водяного охлаждения и входы / выходы горелки • Убедитесь, что обеспечивается циркуляция воды • Если проблема не исчезнет, обратитесь в авторизованный сервисный центр
E07	Системная ошибка	<ul style="list-style-type: none"> • Возможна аппаратная ошибка 	<ul style="list-style-type: none"> • Обратитесь в авторизованный сервисный центр
E08			
E09			

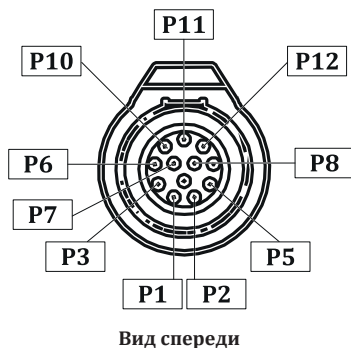
Код неисправности	Неисправность	Причина	Устранение
E10	Ошибка подключения резака	<ul style="list-style-type: none"> Горелка и соединения резака могут быть неисправны 	<ul style="list-style-type: none"> Проверьте резак и соединения резака Если проблема не исчезнет, обратитесь в авторизованный сервисный центр
E11	Системная ошибка	<ul style="list-style-type: none"> Возможна аппаратная ошибка 	<ul style="list-style-type: none"> Обратитесь в авторизованный сервисный центр
E12			
E13	Ошибка устройства подачи проволоки	<ul style="list-style-type: none"> Возможна ошибка подачи проволоки 	<ul style="list-style-type: none"> Проверьте проволочную корзину, катушку / катушечный пресс и соединения горелки Если проблема не исчезнет, обратитесь в авторизованный сервисный центр
E14	Системная ошибка	<ul style="list-style-type: none"> Возможна аппаратная ошибка 	<ul style="list-style-type: none"> Обратитесь в авторизованный сервисный центр
E15	Ошибка связи дистанционного управления	<ul style="list-style-type: none"> Возможно, произошла ошибка в соединениях дистанционного управления 	<ul style="list-style-type: none"> Проверьте соединения дистанционного управления Если проблема не исчезнет, обратитесь в авторизованный сервисный центр
E16	Системная ошибка	<ul style="list-style-type: none"> Возможна аппаратная ошибка 	<ul style="list-style-type: none"> Обратитесь в авторизованный сервисный центр
E17			
E18			
E19	Тепловая защита (Среднее)	<ul style="list-style-type: none"> Время безотказной работы вашей машины могло быть превышено 	<ul style="list-style-type: none"> Дайте машине остыть, немного подождите. Если неисправность исчезнет, попробуйте использовать его при более низких значениях силы тока Если проблема не исчезнет, обратитесь в авторизованный сервисный центр
		<ul style="list-style-type: none"> Вентилятор может не работать 	<ul style="list-style-type: none"> Визуально проверьте, работает вентилятор или нет Если проблема не исчезнет, обратитесь в авторизованный сервисный центр
		<ul style="list-style-type: none"> Передняя часть воздухозаборника - выпускные каналы могут быть заблокированы 	<ul style="list-style-type: none"> Откройте воздухопроводы Если проблема не исчезнет, обратитесь в авторизованный сервисный центр
		<ul style="list-style-type: none"> Рабочая среда машины может быть очень жаркой или душной 	<ul style="list-style-type: none"> Убедитесь, что рабочая среда машины не слишком жаркая или душная Если проблема не исчезнет, обратитесь в авторизованный сервисный центр
E20	Системная ошибка	<ul style="list-style-type: none"> Возможна аппаратная ошибка 	<ul style="list-style-type: none"> Обратитесь в авторизованный сервисный центр
E21			
E22			
E23			

Код неисправности	Неисправность	Причина	Устранение
E26	Низкое давление на входе	<ul style="list-style-type: none"> Низкое давление на входе 	<ul style="list-style-type: none"> Проверьте соединения воздуха / газа, убедитесь, что давление на входе соответствует требованиям, если давление на входе в норме, обратитесь в авторизованный сервисный центр
E27	Корпус горелки не установлен	<ul style="list-style-type: none"> Защита резака не может быть установлена или установлена 	<ul style="list-style-type: none"> Убедитесь, что защита резака установлена правильно. Если проблема не исчезнет, обратитесь в авторизованный сервисный центр
E28	Системная ошибка	<ul style="list-style-type: none"> Возможна аппаратная ошибка 	<ul style="list-style-type: none"> Обратитесь в авторизованный сервисный центр
E29	Низкое напряжение шины постоянного тока	<ul style="list-style-type: none"> Возможно, упало сетевое напряжение 	<ul style="list-style-type: none"> Проверьте кабели подключения к сети и напряжение. Убедитесь, что подано правильное входное напряжение. Если сетевое напряжение в норме, обратитесь в авторизованный сервисный центр
E30	Напряжение на шине постоянного тока высокое	<ul style="list-style-type: none"> Возможно, напряжение в сети увеличилось 	<ul style="list-style-type: none"> Проверьте кабели подключения к сети и напряжение. Убедитесь, что подано правильное входное напряжение. Если сетевое напряжение в норме, обратитесь в авторизованный сервисный центр
E31	Системная ошибка	<ul style="list-style-type: none"> Возможна аппаратная ошибка 	<ul style="list-style-type: none"> Обратитесь в авторизованный сервисный центр



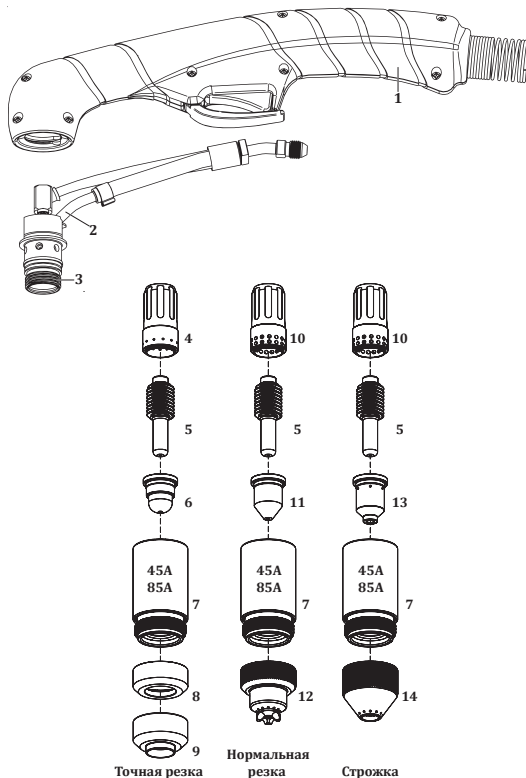
ПРИЛОЖЕНИЯ

5.1 Схема соединения автоматики плазменной резки



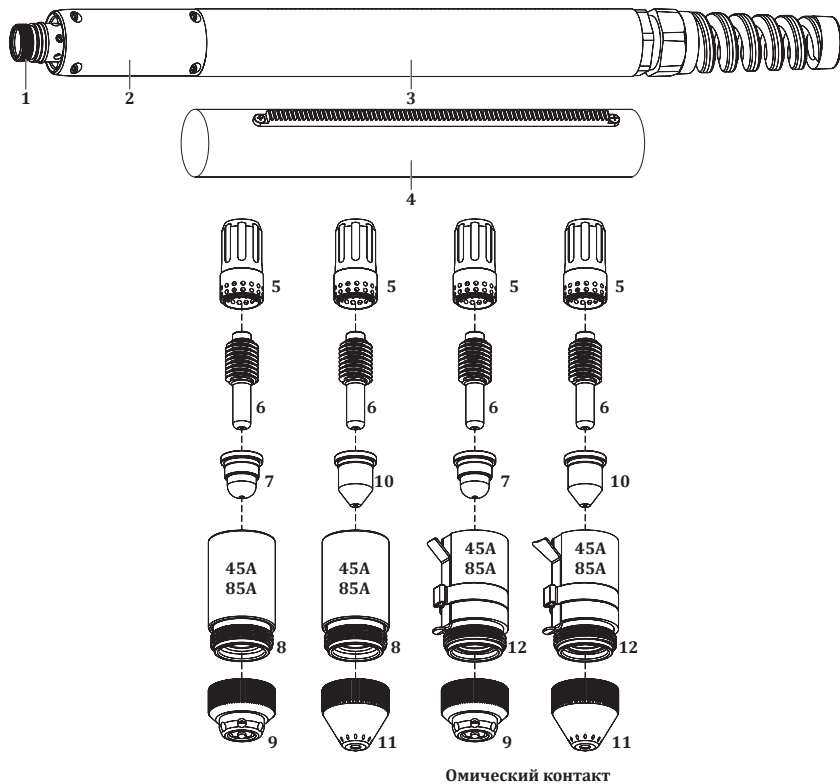
Гнездо №	Кабель	Название соединения	Пояснение
1	Желтый	Подтверждение дуги	В нормальном состоянии открытый контакт. После возникновения плазменной дуги контакт перейдет в закрытое положение. (Макс.: 220 VDC 2A)
3	Коричневый		
2	Зеленый	Старт (триггер)	24 VDC - Напряжение открытого контура. Для активации необходимо закрыть сухой контакт.
5	Белый		
6	Shield	Земля	Для обеспечения безопасности оборудования рекомендуется подсоединить вашу систему к точке заземления.
7	Красный	Vo (+)	Аппарат выполнит настройку выходного напряжения в соответствии с системой управления. Выполнит понижение выходного напряжения 20:1, 21.1:1, 30:1, 40:1, 50:1.
8	Черный	Vo (-)	
10	Серый	ModBus A	ModBUS-RTU / 19200bps / 8N1 (Эта особенность предусмотрена только для модели PX.)
11	Розовый	ModBus B	
12	Синий	ModBus GND	

5.2 Расходные материалы и запасные части ручной горелки



№	Описание	Код материала
1	Рукоятка горелки	Y542000019
2	Головка горелки	Y542000016
3	Уплотнительное кольцо	Y542000018
4	Вихревое кольцо	7042220947
5	Электрод	7042E00001
6	Сопло	7042220930
7	Защитная крышка	7042220854
8	Защитный кожух	7042220955
9	Защитный кожух	7042220931
10	Вихревое кольцо (стандартное)	7042220857
11	Сопло	7042220819
12	Защитный кожух	7042220818
13	Сопло	70422208NG
14	Защитный кожух	70422209SG

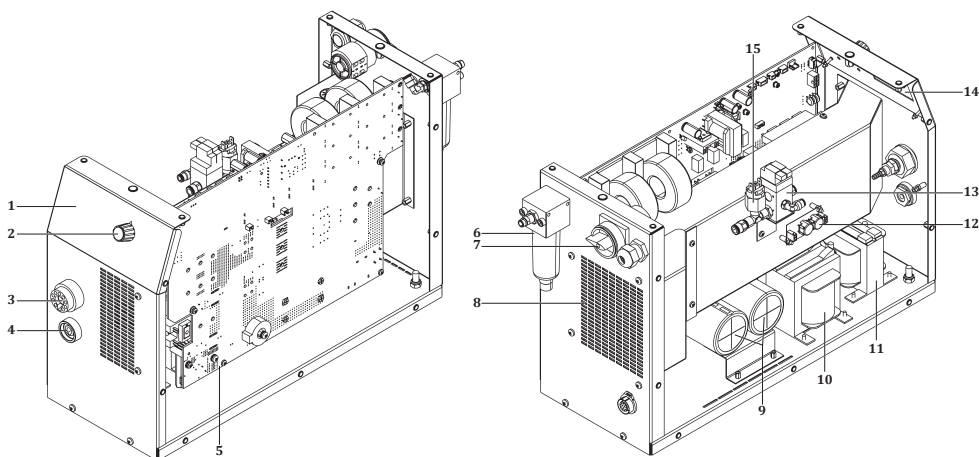
5.3 Расходные материалы и запасные части механизированной горелки



№	Описание	Код материала
1	Уплотнительное кольцо	Y542000018
2	Головка горелки	Y542000017
3	Элемент позиционирования горелки (стандартное)	Y542000020
4	Элемент позиционирования горелки	7942000010
5	Вихревое кольцо (стандартное)	7042220857
6	Электрод	7042E00001
7	Сопло	7042220930
8	Защитная крышка	7042220854
9	Защитный кожух	7042220948
10	Сопло	7042220819
11	Защитный кожух	7042220817
12	Сопло	7042220953

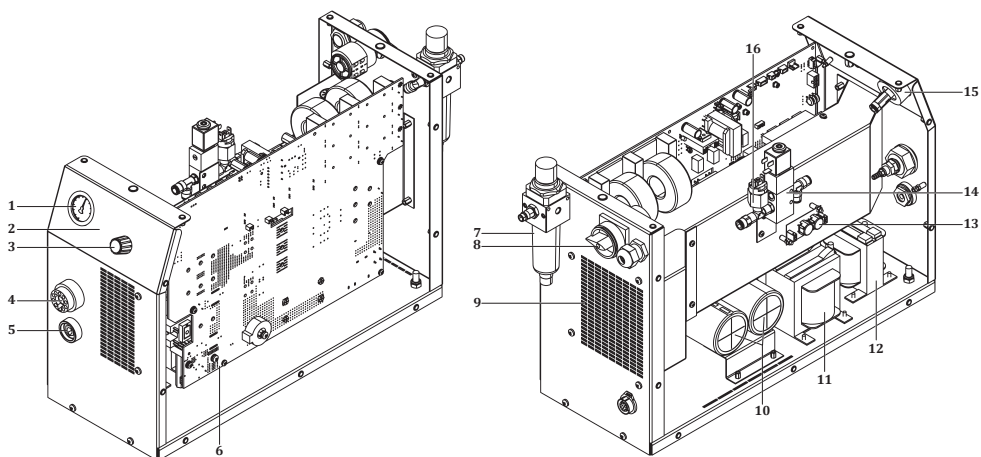
5.4 Список запасных частей аппарата плазменной резки

ID 65 PX



№	Описание	ID 65 PX
1	Этикетка мембраны	K109900170
2	Ручка потенциометра	A229500001
3	Коннектор плазменной горелки	K309000033
4	Гнездо сварочного кабеля	A377900103
5	Электронная плата E230A-1 V2.3	K405000330
6	Фильтр	A256001242
7	Переключатель фаз	A308000017
8	Вентилятор	A250001141
9	Электролитический конденсатор	A420200016
10	Силовой трансформатор	A366000034
11	Катушка индуктивности	A421050007
12	Электронная плата E230A-4 V1.0	K405000327
13	Вентиль	A253003050
14	Электронная плата E230A-2 V1.3	K405000329
15	Переключатель давления	A253001150

ID 65 P

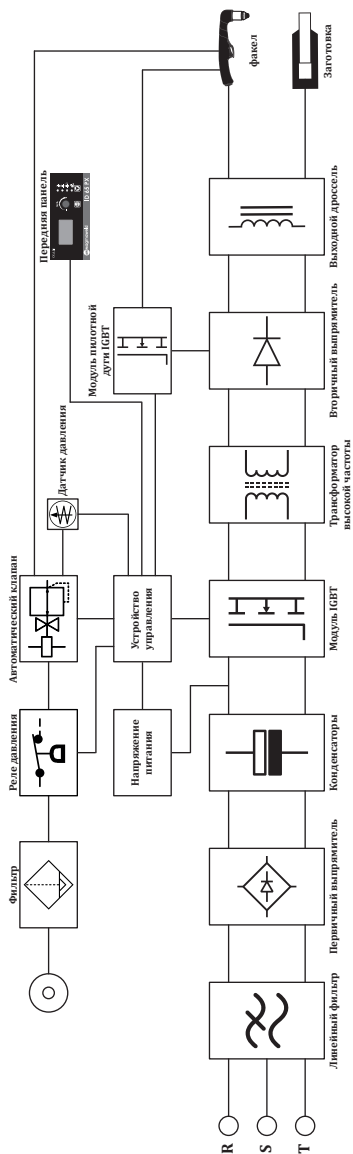


RU

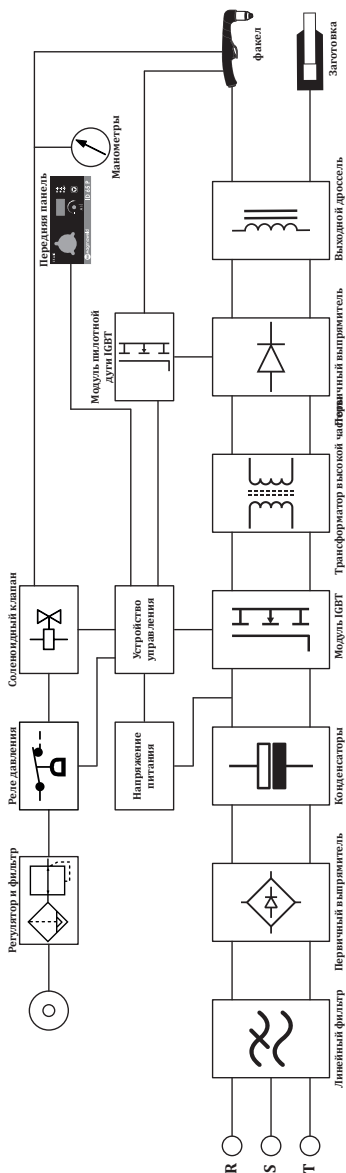
№	Описание	ID 65 P
1	Манометр	A827000017
2	Этикетка мембраны	K109900171
3	Ручка потенциометра	A229500001
4	Коннектор плазменной горелки	K309000033
5	Гнездо сварочного кабеля	A377900103
6	Электронная плата E230A-1 V2.3	K405000330
7	Фильтр	A256001240
8	Переключатель фаз	A308000017
9	Вентилятор	A250001141
10	Электrolитический конденсатор	A420200016
11	Силовой трансформатор	A366000034
12	Катушка индуктивности	A421050007
13	Электронная плата E230A-4 V1.0	K405000327
14	Вентиль	A253001151
15	Электронная плата E230A-1 V1.1	K405000328
16	Переключатель давления	A253001150

5.5 Схемы подключения

Блок-схема ID 65 PX



ID 65 P

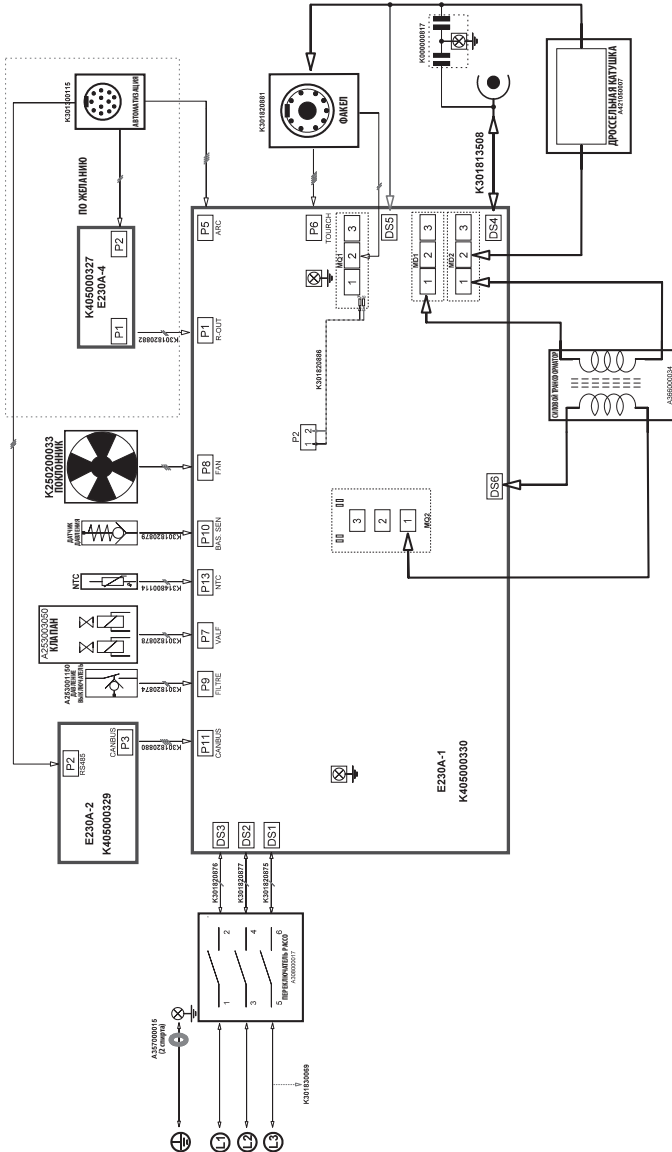


RU

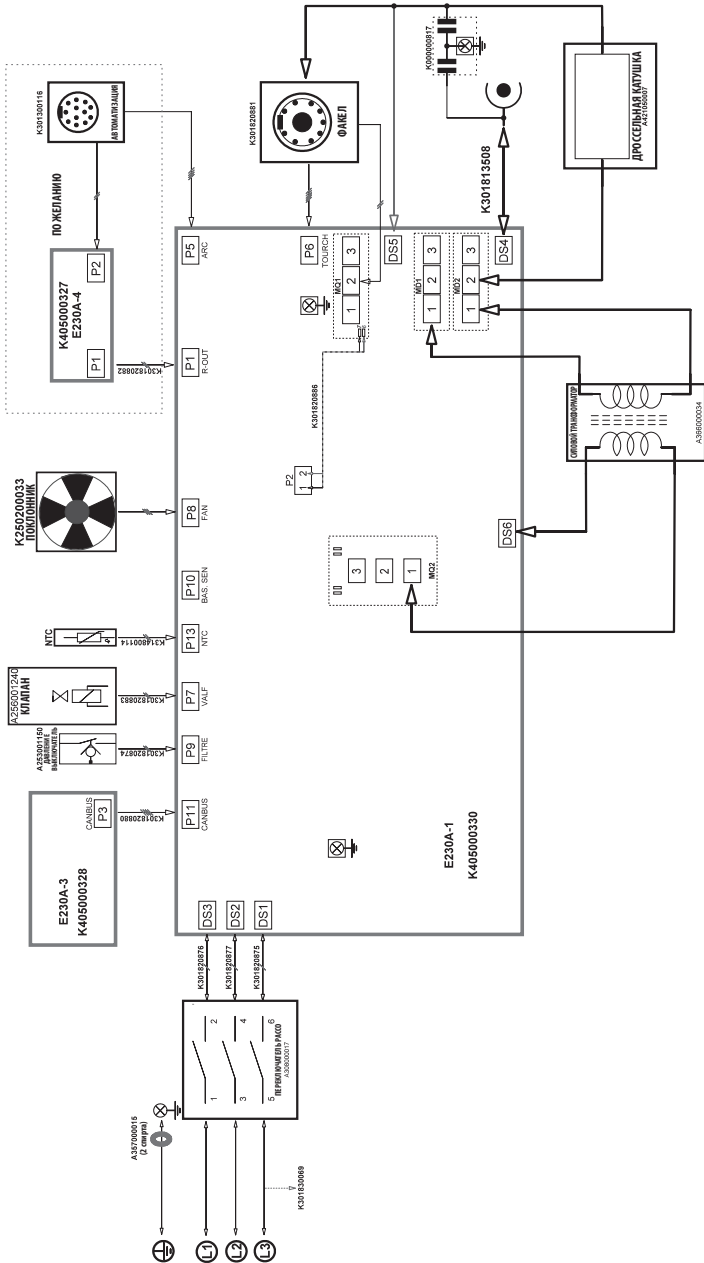
Электрическая схема

ID 65 PX

RU



ID 65 P



RU

ИНФОРМАЦИЯ О ТОВАРЕ

Модель	
Серийный номер	

ПРОИЗВОДИТЕЛЬ

Имя	MAGMA MEKATRONİK MAKİNE SANAYİ VE TİCARET A.Ş.
Адрес	Organize Sanayi Bölgesi 5. Kısım MANİSA
Телефон / Электронная почта	+90 236 226 27 00 / info@magmaweld.com

ИНФОРМАЦИЯ О ПОКУПКЕ

Имя дилера	
Город / Страна	
Телефон / Электронная почта	
Дата покупки	

ИНФОРМАЦИЯ О КЛИЕНТЕ

Название компании	
Город / Страна	
Телефон / Электронная почта	
Имя контакта	

СЕРВИСНАЯ ИНФОРМАЦИЯ (если применимо)

Название компании	
Имя техника	
Дата сдачи (дата начала гарантии)	



Пожалуйста, посетите наш веб-сайт www.magmaweld.ru/условия-гарантии/wt чтобы ознакомиться с условиями гарантии.

 **CONTEÚDO**

	PRECAUÇÕES DE SEGURANÇA	166
1	INFORMAÇÃO TÉCNICA	
1.1	Informações gerais	172
1.2	Componentes da máquina	172
1.3	Placa de identificação do produto	174
1.4	Dados técnicos	175
1.5	Acessórios	175
2	INSTALAÇÃO	
2.1	Verificação da entrega	176
2.2	Recomendações de instalação e operação	176
2.3	Ligação da ficha de rede	177
2.4	Ligação à alimentação principal	177
2.5	Ligações para corte por plasma	177
2.5.1	Ligação da garrafa de gás	177
2.5.2	Ligações de grampos de ligação à terra	177
2.5.3	Ligações da tocha	178
2.6	Instalação de consumíveis	178
2.7	Arco piloto	179
2.8	Comando à distância	179
3	OPERAÇÃO	
3.1	Interface do utilizador	182
3.2	Utilização da tocha	186
4	MANUTENÇÃO E REPARAÇÃO	
4.1	Manutenção	187
4.2	Resolução de problemas	188
4.3	Códigos de erro	190
5	ANEXO	
5.1	Diagrama de ligação de corte por plasma	193
5.2	Consumíveis e peças de substituição da tocha manual	194
5.3	Consumíveis e peças de substituição da tocha mecânica	195
5.4	Lista de peças de substituição da máquina de corte por plasma	196
5.5	Diagramas de Conexão	198

PRECAUÇÕES DE SEGURANÇA

Certifique-se de que cumpre todas as regras de segurança indicadas neste manual!

Explicação sobre instruções de segurança



- Os símbolos de segurança apresentados no manual identificam potenciais perigos.
- A existência de um símbolo de segurança neste manual indica que existe perigo de ferimento e que as instruções de segurança seguintes devem ser lidas atentamente de modo a evitar potenciais perigos.
- O proprietário da máquina é responsável por evitar o acesso ao equipamento por parte de pessoas não autorizadas.
- As pessoas que utilizam esta máquina devem possuir experiência ou formação em soldadura/corte, devem ter lido o manual do utilizador antes da operação e cumprir as instruções de segurança.

Explicação sobre símbolos de segurança



ATENÇÃO

Indica uma situação de perigo potencial que pode resultar em ferimento ou danos. Caso não sejam adotadas precauções, pode resultar em ferimentos ou perdas/danos materiais.



IMPORTANTE

Especifica notificações e alertas sobre a operação da máquina.



PERIGO

Indica um perigo grave. Caso não seja evitado, podem ocorrer ferimentos graves ou fatais.

Compreender precauções de segurança



- Leia atentamente o manual do utilizador, a etiqueta na máquina e as instruções de segurança.
- Certifique-se de que as etiquetas de aviso presentes na máquina estão em bom estado. Substitua etiquetas em falta e danificadas.
- Aprenda a utilizar adequadamente a máquina e a proceder corretamente a verificações.
- Utilize a sua máquina em ambientes de trabalho adequados.
- As alterações indevidas efetuadas na sua máquina afetarão negativamente a segurança do funcionamento e a durabilidade da mesma.
- O fabricante não se responsabiliza pelas consequências decorrentes da operação do dispositivo em condições que não as previstas.

Os choques elétricos podem ser fatais



Certifique-se de que os procedimentos de instalação cumprem as normas elétricas nacionais e demais normas relevantes e garanta que a máquina é instalada por pessoas autorizadas.

- Use luvas secas e resistentes e um avental de trabalho. Nunca use luvas e aventais de trabalho molhados ou danificados.
- Contra o risco de queimaduras, use vestuário de proteção à prova de fogo. O vestuário usado pelo operador deve proteger contra faíscas, salpicos e radiação do arco.
- Não trabalhe sozinho. Em caso de perigo, certifique-se de que pode pedir ajuda a alguém no seu local de trabalho.
- Não toque no eletrodo com as mãos desprotegidas. Não permita que o suporte do eletrodo ou o eletrodo entrem em contacto com outra pessoa ou objeto com ligação à terra.
- Nunca toque em peças com carga elétrica.
- Nunca toque no eletrodo quando se encontra em contacto com o eletrodo ligado à superfície de trabalho, o chão ou outra máquina.
- Ao isolar-se da superfície de trabalho e do chão, estará a proteger-se de possíveis choques elétricos. Use material isolante não inflamável, isolado, seco, não danificado e com largura suficiente para interromper o contacto do utilizador com a superfície de trabalho.
- Não ligue mais do que um eletrodo ao suporte do eletrodo.
- Fixe o cabo de trabalho com contacto metal/metal adequado à peça de trabalho ou à mesa de trabalho, o mais próximo da soldadura possível.
- Verifique a tocha, antes de operar a máquina. Certifique-se de que a tocha e respetivos cabos estão em boas condições. Substitua a tocha sempre que apresente danos e/ou desgaste.
- Não toque em suportes de eletrodo ligados a duas máquinas em simultâneo, pois estará presente dupla tensão de circuito aberto.
- Mantenha a máquina desligada e desligue os cabos quando esta não estiver a ser utilizada.

- Antes de reparar a máquina, remova todas as ligações de energia e/ou fichas de ligação ou desligue a máquina.
- Mantenha-se atento aquando da utilização de cabo principal longo.
- Certifique-se de que todas as ligações estão firmes, limpas e secas.
- Mantenha os cabos secos, sem óleo e gordura, e protegidos contra metal seco e faíscas.
- Os cabos descarnados podem ser fatais. Verifique frequentemente todos os cabos quanto a possíveis danos. Caso detete um cabo danificado ou não isolado, repare-o ou substitua-o de imediato.
- Isole o grampo de trabalho quando este não esteja ligado à peça de trabalho, a fim de evitar o contacto com objetos metálicos.
- Certifique-se do aterramento adequado da linha de alimentação.
- Não utilize saída de soldadura AC em espaços húmidos, molhados ou confinados ou caso exista perigo de queda.
- Utilize a saída AC APENAS se necessário para o processo de soldadura.
- Caso seja necessária a saída AC, utilize o comando à distância de saída, se disponível na unidade.

São necessárias precauções de segurança adicionais, caso se verifique qualquer uma das seguintes de risco elétrico:

- em locais húmidos ou durante a utilização de vestuário molhado,
- em estruturas metálicas, tais como pisos, grades ou andaimes,
- em posições limitadoras, tais como sentado, ajoelhado ou deitado,
- quando existe o risco de contacto inevitável ou accidental com a peça de trabalho ou o chão.

Nestas condições, utilize o seguinte equipamento pela ordem apresentada:

- Máquina de soldar MIG semiautomática tensão constante DC (CV)
- Máquina de soldar MMA manual DC,
- Máquina de soldar DC ou AC com tensão reduzida em circuito aberto (VRD), se disponível.

Procedimentos em caso de choque elétrico



- Desligue a energia elétrica.
- Use material não condutor, por exemplo, madeira seca, para libertar a vítima do contacto com peças ou cabos sob tensão.
- Ligue para o serviço de emergência.

Caso possua formação em primeiros socorros;

- Caso a vítima não esteja a respirar, depois de interromper o contacto com a fonte elétrica, proceda de imediato à ressuscitação cardiopulmonar (RCP). Prossiga com a RCP (massagem cardíaca) até que a respiração seja retomada ou até à chegada de ajuda.
- Caso esteja disponível um desfibrilador eletrónico automático (DEA), utilize-o de acordo com as instruções.
- Trate as queimaduras elétricas como queimaduras térmicas, aplicando compressas esterilizadas e frias (geladas). Previna a contaminação e aplique um meio de cobertura limpo e seco.

As peças móveis podem causar ferimentos



- Mantenha-se afastado de peças em movimento.
- Mantenha todos os dispositivos de proteção, tais como coberturas, painéis, abas, etc., da máquina e do equipamento fechados e bloqueados.
- Use calçado com biqueira de aço para efeitos da possível queda de objetos pesados sobre os pés.

Os fumos e os gases podem ser prejudiciais para a sua saúde



A inalação prolongada de fumos e gases de soldadura/corte é muito perigosa.

- A sensação de queimadura e a irritação dos olhos, do nariz e da garganta são sintomas de ventilação inadequada. Neste caso, aumente de imediato a ventilação da área de trabalho e, caso o problema persista, interrompa o processo de soldadura/corte imediatamente.
- Instale um sistema de ventilação natural ou forçada na área de trabalho.
- Use um sistema de extração de fumos adequado nas zonas em que são executados trabalhos de soldadura/corte. Se necessário, instale um sistema capaz de expelir os fumos e os gases acumulados em toda a área de trabalho. Use um sistema de filtração adequado para evitar a poluição ambiental durante a descarga.
- Se estiver a trabalhar em espaços confinados ou se estiver a soldar chumbo, berílio, cádmio, zinco, materiais revestidos ou pintados, use máscaras que forneçam ar fresco em complemento às precauções indicadas.
- Caso as garrafas de gás estejam agrupadas numa zona separada, certifique-se de que estão bem ventiladas, mantenha as válvulas principais fechadas em caso de não utilização e atente a possíveis fugas de gás.
- Os gases de proteção como o argón são mais densos do que o ar e podem ser inalados se utilizados em espaços confinados. Tal também constitui perigo para a sua saúde.

- Não execute operações de soldadura/corte na presença de vapores de hidrocarboneto clorado libertados durante as operações de lubrificação ou pintura.
- Certas peças soldadas/cortadas requerem ventilação especial. As regras de segurança dos produtos que requerem ventilação especial devem ser lidas atentamente. Deve ser utilizada uma máscara antigás adequada, quando necessário.

A luz do arco pode ferir os olhos e a pele



- Use uma máscara protetora comum e um filtro de vidro adequado para proteger os olhos e o rosto.
- Proteja destes raios outras partes expostas do seu corpo (braços, pescoço, ouvidos, etc.) com vestuário de proteção adequado.
- Isole a sua zona de trabalho com telas à prova de fogo dobráveis e afixe sinais de aviso ao nível dos olhos, evitando que as pessoas ao seu redor sofram ferimentos provocados pelos raios do arco e pelos metais quentes.
- Esta máquina não é utilizada para o aquecimento de tubos gelados. Esta operação, quando efetuada com a máquina de soldar/corte, provoca explosão, incêndio ou danos nas suas instalações.

As faíscas e os salpicos podem entrar nos olhos e ferir



- A execução de tarefas como soldadura/corte, desbaste e escorvamento provoca faíscas e salpicos de partículas metálicas. Sob a máscara de soldadura, use óculos de proteção aprovados com abas para prevenir possíveis ferimentos.

As peças quentes podem provocar queimaduras graves



- Não toque nas peças quentes com as mãos desprotegidas.
- Antes de tocar nas peças, aguarde o tempo previsto para o arrefecimento da máquina.
- Se for necessário segurar em peças quentes, use as ferramentas adequadas, luvas de soldadura/corte com isolamento térmico elevado e vestuário à prova de fogo.

O ruído pode prejudicar a sua capacidade auditiva



- O ruído gerado por certos equipamentos e durante certas operações pode prejudicar a sua capacidade auditiva.
- Caso o nível de ruído seja elevado, use a proteção de ouvidos adequada.

Os fios de soldar podem provocar ferimentos



- Quando do desenrolamento do fio de soldar/corte, não aponte a tocha na direção do corpo, de outras pessoas ou de qualquer metal.
- Quando do desenrolamento manual do fio de soldar, especialmente com diâmetros reduzidos, o fio pode saltar da sua mão, como uma mola, ferindo-o ou a pessoas ao seu redor; assim, deve proteger os seus olhos e rosto.

As operações de soldadura podem provocar fogo e explosão



- Nunca proceda a operações de soldadura/corte em locais próximos de materiais inflamáveis. Podem ocorrer incêndios ou explosões.
- Antes de começar a soldar/cortar, remova estes materiais ou cubra-os com coberturas de proteção para evitar combustões.
- Neste contexto, aplicam-se normas específicas nacionais e internacionais.
- Não proceda a soldadura/corte em depósitos ou tubos totalmente fechados.
- Antes de soldar depósitos e recipientes fechados, abra-os, esvazie-os totalmente e limpe-os. Preste toda a atenção possível às operações de soldadura/corte a realizar nestes espaços.
- Não proceda à soldadura em depósitos e tubos que, anteriormente, possam ter contido substâncias suscetíveis de provocar explosões, incêndios ou outras reações.
- O equipamento de soldadura/corte aquece. Por este motivo, não o coloque sobre superfícies que possam aquecer/queimar ou danificar-se facilmente!
- As faíscas e os salpicos de peças podem provocar incêndio. Por este motivo, mantenha materiais como extintores, água e areia em locais facilmente acessíveis.
- Utilize válvulas de segurança, reguladores e válvulas de gás em circuitos de gás inflamáveis, explosivos e comprimidos. Certifique-se de que estes são periodicamente inspecionados e que funcionam de forma fiável.

A manutenção de máquinas e aparelhos efetuada por pessoas não autorizadas pode originar ferimentos



- Os equipamentos elétricos não devem ser reparados por pessoas não autorizadas. Os erros ocorridos por incumprimento desta regra podem resultar em ferimento grave ou morte aquando da utilização do equipamento.
- Os elementos do circuito de gás funcionam sob pressão; aquando da realização de serviços por pessoas não autorizadas, podem ocorrer explosões e os utilizadores podem sofrer ferimentos graves.
- Recomenda-se a realização da manutenção técnica da máquina e das respetivas unidades auxiliares, no mínimo, anualmente.

Soldar/cortar em espaços pequenos e confinados



- Em espaços pequenos e confinados, certifique-se de que executa as operações de soldadura/corte acompanhado por outra pessoa.
- Evite, tanto quanto possível, soldar/cortar em espaços fechados.

A inobservância das precauções durante o transporte pode causar acidentes



- Adote todas as precauções necessárias ao movimentar a máquina. As áreas para onde a máquina será transportada, as peças a usar no transporte e as condições físicas e de saúde da pessoa responsável pelo transporte devem ser adequadas ao processo em causa.
- Certas máquinas são extremamente pesadas; assim, aquando da movimentação das mesmas, certifique-se de que são adotadas as medidas de segurança necessárias.
- Se a máquina de soldar for utilizada numa plataforma, é necessário verificar se esta possui os limites de carga adequados.
- Em caso de transporte da máquina através de veículo (carro de transporte, empilhadora, etc.), certifique-se da resistência do mesmo e dos pontos de conexão (suspensores de carga, cintas, parafusos, porcas, rodas, etc.) que ligam a máquina ao veículo.
- Em caso de transporte manual da máquina, certifique-se da resistência dos elementos da mesma (suspensores de carga, cintas, etc.) e conexões.
- Cumpra as normas da Organização Internacional do Trabalho relativas a pesos e regras de transporte em vigor no seu país, de modo a assegurar as condições de transporte necessárias.
- Para movimentar fontes de alimentação de energia, utilize sempre cabos ou olhais de transporte. Nunca puxe por tochas, cabos ou tubos. Certifique-se de que transporta as garrafas de gás em separado.
- Antes de transportar o equipamento de soldar/cortar, remova todas as interligações separadamente, eleve e transporte os mais pequenos pelos cabos e os maiores pelos olhais ou utilizando o equipamento de transporte adequado, tal como empilhadoras.

A queda de peças pode causar ferimentos



O posicionamento incorreto de fontes de alimentação ou de outro equipamento pode causar ferimentos graves às pessoas ou danificar objetos.

- Posicione a sua máquina sobre o chão e plataformas com uma inclinação máxima de 10°, de modo a que não caia nem deslize. Opte por espaços que não interfiram com o fluxo dos materiais e onde não exista risco de tropeçar em cabos e mangueiras; não obstante, estas áreas devem ser espaçosas, de fácil ventilação e sem poeiras. Para prevenir a queda das garrafas de gás, fixe-as à respetiva plataforma, caso se trate de máquinas em que esta esteja disponível; em caso de utilização estática, fixe-as à parede com uma corrente, de modo a que não caiam.
- Permita o fácil acesso às configurações e conexões da máquina por parte dos utilizadores.

O uso prolongado da máquina provoca sobreaquecimento



- Permita que a máquina arrefeça, de acordo com os níveis do ciclo de operação.
- Reduza a corrente ou o nível do ciclo de operação antes de retomar a soldadura/corte.
- Não obstrua as entradas de ar da máquina.
- Nas entradas de ventilação da máquina, não coloque filtros que não possuam aprovação do fabricante.

O uso prolongado da máquina provoca sobreaquecimento



- De acordo com os testes de compatibilidade eletromagnética, este dispositivo possui classificação grupo 2, classe A, nos termos da norma TS EN 55011.
- Este dispositivo de classe A não se destina a ser utilizado em áreas domésticas com alimentação elétrica de baixa tensão. Podem verificar-se potenciais dificuldades em termos de compatibilidade eletromagnética devido à interferência por radiofrequência transmitida e emitida nesses locais.



Este dispositivo não é compatível nos termos da norma IEC 61000-3-12. Caso pretenda ligar a máquina à rede de baixa tensão utilizada em ambiente doméstico, o instalador responsável pela ligação elétrica ou a pessoa que utilizará a máquina deve ter conhecimento de que a mesma foi ligada naqueles termos; neste caso, a responsabilidade incumbe totalmente ao utilizador.

- Certifique-se de que a área de trabalho cumpre a compatibilidade eletromagnética (CEM). As interferências eletromagnéticas durante as operações de soldadura/corte podem causar efeitos indesejados nos seus dispositivos e redes eletrónicos. Estes efeitos são da responsabilidade do utilizador.
- Em caso de tais interferências, a fim de garantir a conformidade, devem ser adotadas medidas extraordinárias, tais como a utilização de cabos curtos, de cabos blindados, mudança de localização da máquina de soldar, remoção dos cabos do dispositivo e/ou área afetados, utilização de filtros ou proteção da área de trabalho em termos de CEM.
- De modo a evitar possíveis danos resultantes da CEM, proceda à soldadura em local o mais afastado possível (100 metros) de equipamentos eletrónicos sensíveis.
- Certifique-se de que a sua máquina de soldar e/ou de corte foi instalada e está situada nas condições previstas no manual do utilizador.

PT

Avaliação de compatibilidade eletromagnética da área de trabalho



De acordo com o Art.º 5.2 da IEC 60974-9;

Antes de instalar o equipamento de soldar/corte, o responsável pela operação e/ou o utilizador devem proceder à verificação da existência de possível interferência eletromagnética. Devem ser observados os seguintes aspetos:

- a) Outros cabos de alimentação, cabos de controlo, cabos de sinal e de telefone por cima e por baixo da máquina de soldar/corte e respetivo equipamento,
- b) Transmissores e recetores de rádio e televisão,
- c) Computadores e outros equipamentos de controlo,
- d) Equipamento crítico de segurança, tal como proteção de equipamento industrial,
- e) Dispositivos médicos pessoais, tais como pacemakers e aparelhos auditivos,
- f) Equipamento utilizado para medição ou calibração,
- g) A imunidade de outros equipamentos circundantes. O utilizador deve assegurar a compatibilidade de outros equipamentos circundantes. Tal pode significar medidas de proteção adicionais;
- h) Atendendo ao período durante o qual as operações de soldadura/corte ou outras atividades ocorrem durante o dia, os limites das áreas podem ser aumentados de acordo com a dimensão do edifício, a sua estrutura e outras atividades que sejam realizadas no mesmo.

Para além da avaliação do espaço, pode também ser necessária a avaliação das instalações de dispositivos para prevenir o efeito de interferência. Caso se considere necessário, podem também ser aplicadas medições para confirmar a eficácia das medidas de redução aplicadas.

(Fonte: IEC 60974-9).

Métodos de redução da interferência eletromagnética



- O dispositivo deve ser ligado à fonte de alimentação elétrica por pessoa competente e conforme recomendado. Em caso de interferência, é possível adotar medidas adicionais, tais com o filtro da rede. A utilização de equipamento de soldadura por arco fixo deve ocorrer com tubo metálico ou com um cabo blindado afim. O alojamento da alimentação de energia deve estar ligado e, entre ambas as estruturas, deve existir um bom contacto elétrico.
- Deve ser executada a manutenção de rotina recomendada do equipamento. Todas as coberturas da máquina devem estar fechadas e/ou bloqueadas aquando da utilização do dispositivo. Estão interditas quaisquer alterações às configurações padrão sem o consentimento prévio por escrito do fabricante. Caso tais alterações sejam efetuadas, o utilizador é responsável pelas possíveis consequências.
- Os cabos de soldar/cortar devem manter-se o mais curtos possível. Devem ser dispostos no chão e alinhados lado a lado no chão da área de trabalho. Os cabos de soldar/cortar não devem emaranhar-se.
- Durante a soldadura/corte, é gerado um campo magnético na máquina. Tal pode fazer com que a máquina atraia peças metálicas. Para evitar esta situação, certifique-se de que os materiais metálicos estão a uma distância segura ou fixos. O operador deve encontrar-se isolado quanto a todos os objetos metálicos interligados.

- Nos casos que não seja possível o aterramento da peça de trabalho devido à segurança elétrica ou à sua dimensão e posição (por exemplo, na construção de navios ou na produção para construção em aço), a ligação entre a peça de trabalho e a ligação à terra pode, em certos casos, reduzir as emissões. Note-se que o aterramento da peça de trabalho pode resultar em ferimentos no utilizador ou em avaria do equipamento elétrico circundante. Se necessário, é possível proceder ao aterramento da peça de trabalho na forma de ligação direta. Nos países em que a mesma não é permitida, é possível proceder à ligação utilizando os elementos com a capacidade adequada, de acordo com as normas e legislação locais.
- A proteção e blindagem de outros dispositivos e cabos na área de trabalho evita efeitos de “aliasing”. Para aplicações específicas, é possível adotar a proteção com tela de toda a área de soldadura/corte.

Campo eletromagnético (CEM)



A corrente elétrica que passa por um condutor é passível de formar campos eletromagnéticos (EMF) a nível local.

Todos os operadores devem cumprir os seguintes procedimentos, a fim de minimizar o risco de exposição ao CEM:

- Para reduzir o campo eletromagnético, é necessário instalar e fixar os cabos de soldadura/corte o mais afastados possível dos materiais de união (fita, uniões de cabo, etc.).
- O corpo e cabeça do operador devem estar o mais afastados possível da máquina de soldar/cortar e dos cabos,
- Os cabos de soldar/cortar não devem embrulhar-se ao corpo nem à máquina,
- Os cabos de soldar/cortar não devem ser embrulhar-se à estrutura da máquina. Os cabos de alimentação devem manter-se afastados da estrutura da máquina e colocados lado a lado,
- O cabo de retorno deve estar ligado à peça de trabalho o mais próximo possível da área a soldar,
- A máquina de soldar/cortar não deve estar encostada, integrada ou demasiado próxima da fonte de alimentação,
- As operações de soldadura/corte não devem ser executadas aquando do transporte da unidade de alimentação do fio de soldar ou da fonte de alimentação.

Os EMF podem também interferir com o funcionamento de implantes médicos (materiais no interior do corpo humano), tais como pacemakers. Na presença de portadores de tais dispositivos médicos, devem ser implementadas medidas preventivas. Por exemplo, limitações de acesso para terceiros ou avaliações de risco individual para operadores. Devem ser realizadas avaliações de riscos e prestado aconselhamento por especialistas médicos a portadores de dispositivos médicos.

Proteção



- Não exponha a máquina à chuva e proteja-a quanto a água e vapores pressurizados.

Eficiência energética



- Selecione o método e a máquina de soldar/cortar para a soldura que pretende executar.
- Selecione a corrente e/ou tensão de soldadura/corte correspondente ao material e espessura que vai soldar.
- Se necessitar de aguardar muito tempo antes de começar a soldar/cortar, desligue a máquina depois de a ventoinha a ter arrefecido. As nossas máquinas com controlo inteligente da ventoinha desligam-se automaticamente.

Eliminação



- Este dispositivo não deve ser eliminado com os resíduos domésticos. Deve ser encaminhado para reciclagem nos termos da diretiva europeia e da legislação nacional.
- Informe-se junto do seu revendedor e pessoas autorizadas sobre a gestão de resíduos das suas máquinas usadas.

FORMULÁRIO DE GARANTIA



Para consultar o formulário de garantia, visite a nossa página
www.magmaweld.com/warranty-form/wr.

INFORMAÇÃO TÉCNICA

1.1 Informações gerais

A ID 65 PX e a ID 65 P são máquinas de corte por plasma de alto desempenho concebidas para aplicações de corte e de chanfro. Com uma construção compacta, são leves e portáteis. Oferecem um excelente desempenho de corte e de chanfro. No modelo ID 65 PX, a pressão de gás necessária durante o corte é automaticamente ajustada em função do modo de corte e da tocha utilizada. No modelo ID 65 P, é necessário ajustar manualmente a pressão de gás necessária.

1.2 Componentes da máquina

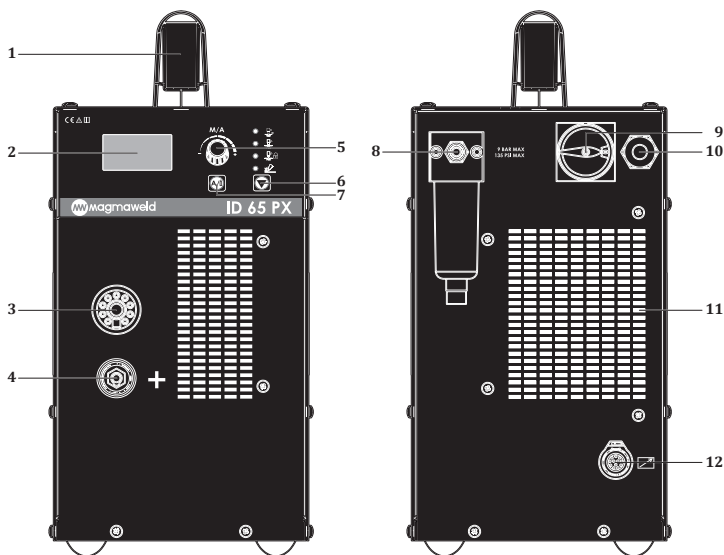


Figura 1 : ID 65 PX - vista frontal e vista traseira

- | | |
|-----------------------------|-------------------------------------|
| 1- Manípulo | 7- Seletor de corrente/corte |
| 2- Ecrã digital | 8- Filtro de ar |
| 3- Conector da tocha | 9- Interruptor On/Off |
| 4- Ligação à terra (+) | 10- Ligação de alimentação |
| 5- Botão de ajuste | 11- Ventoinha |
| 6- Seletor de modo de corte | 12- Conector de comando à distância |

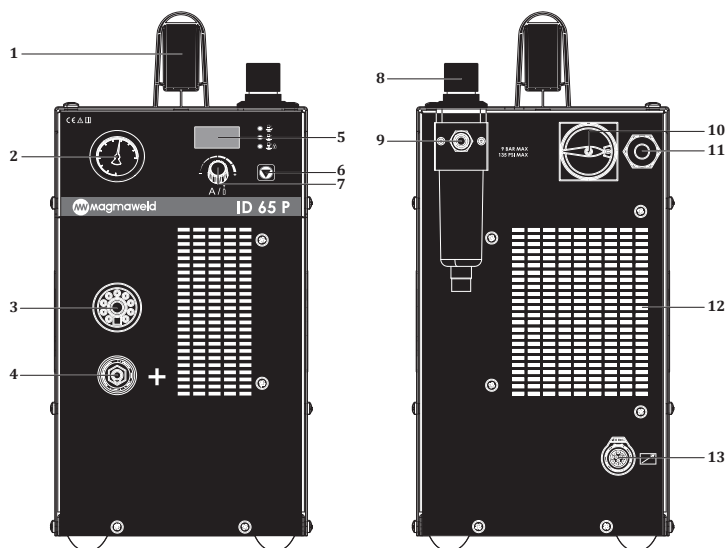


Figura 2 : ID 65 P - vista frontal e vista traseira


- | | |
|----------------------------------|--------------------------------------|
| 1- Manípulo | 8- Botão de ajuste de pressão de gás |
| 2- Ecrã de pressão de gás manual | 9- Filtro de ar |
| 3- Conector da tocha | 10- Interruptor On/Off |
| 4- Ligação à terra (+) | 11- Ligação de alimentação |
| 5- Botão de ajuste | 12- Ventoinha |
| 6- Seletor de modo de corte | 13- Conector de comando à distância |
| 7- Seletor de corrente/corte | |


PT


1.3 Placa de identificação do produto


MAGMA MEKATRONİK MAKİNE SAN. VE TİC. A.Ş. Organize Sanayi Bölgesi 5.Kısım Manisa-TÜRKİYE	
ID 65 PX	S/N:
	EN 60974-1/-10 Cl. A

MAGMA MEKATRONİK MAKİNE SAN. VE TİC. A.Ş. Organize Sanayi Bölgesi 5.Kısım Manisa-TÜRKİYE	
ID 65 P	S/N:
	EN 60974-1/-10 Cl. A

	---	20A / 88V - 65A / 106V			
		X ^(40°C)	50%	60%	100%
S	U ₀ =280V	I ₂	65A	59A	46A
		U ₂	106V	103.7V	98.4V

	---	20A / 88V - 65A / 106V			
		X ^(40°C)	50%	60%	100%
S	U ₀ =280V	I ₂	65A	59A	46A
		U ₂	106V	103.7V	98.4V

	U _i =400V	I _{1max} = 17.8A	I _{1eff} = 12.61A
3-50-60Hz			

	U _i =400V	I _{1max} = 17.8A	I _{1eff} = 12.61A
3-50-60Hz			

IP21S	CE	EAC	UK CA
-------	----	-----	----------

IP21S	CE	EAC	UK CA
-------	----	-----	----------

 Transformador retificador trifásico

X Fator de marcha

 Característica vertical

U₀ Tensão em circuito aberto

 Corrente contínua


U₁ Tensão de rede e frequência

 Corte por plasma

U₂ Tensão nominal de soldadura

 Corrente alternada trifásica de entrada

I₁ Corrente de rede nominal

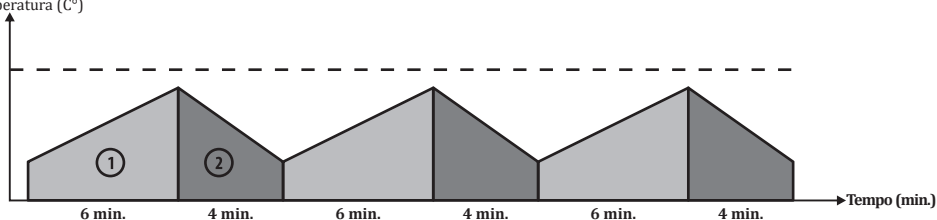
 Adequada para operação em ambientes perigosos

I₂ Corrente nominal de soldadura

S₁ Potência nominal

IP21 Classe de proteção

Fator de marcha
Temperatura (C°)



Como definido na norma EN 60974-1, o nível do fator de marcha inclui um período de 10 minutos. Por exemplo, se uma máquina de 100 A a 60% for operada a 100 A, a máquina pode soldar/cortar sem interrupção nos primeiros 6 minutos do período de 10 minutos (zona 1). Contudo, os 4 minutos seguintes devem manter-se inativos, para que a máquina arrefeça (zona 2).

1.4 Dados técnicos

DADOS TÉCNICOS	UNIDADE	ID 65 PX	ID 65 P
Tensão de rede (trifásica, 50-60 Hz)	V	400	400
Potência nominal	kVA	12,3	12,3
Amplitude da corrente de soldadura	ADC	20 - 65	20 - 65
Corrente nominal de soldadura	ADC	65	65
Tensão em circuito aberto	VDC	270	270
Espessura de corte recomendada (todos os metais)	mm	22 (500 mm/s)	22 (500mm/s)
Espessura de corte máxima (todos os metais)	mm	28 (250 mm/s)	28 (250 mm/s)
Espessura de rutura (todos os metais)	mm	35 (125 mm/s)	35 (125 mm/s)
Chanfro (3,5 mm D x 6,6 mm G)	kg	5 (1 hora)	5 (1 hora)
Dimensões (c x l x a)	mm	628.1 x 219.3 x 453.7	628.1 x 219.3 x 453.7
Peso	kg	26	26
Classe de proteção		IP21S	IP21S

As velocidades de corte indicadas na tabela resultam de ensaios laboratoriais da Magmaweld. Podem variar em função de diferentes aplicações de corte e condições ambientais.

1.5 Acessórios

ACESSÓRIOS PADRÃO	QUANT.	CÓDIGO DO PRODUTO
Grampo da peça de trabalho e cabo	1	K301100343
Tocha (manual) *	1	7142H10506
Tocha (mecânica) *	1	7142M10512

* A verificar durante a encomenda.

INSTALAÇÃO

2.1 Verificação da entrega

Verifique se foram recebidos todos os materiais encomendados. Em caso de falta ou danificação de material, contacte imediatamente o ponto de venda.

A caixa padrão inclui:

- Máquina de corte e cabo principal ligado
- Tocha e consumíveis
- Grampo da peça de trabalho e cabo
- Certificado de garantia
- Manual do Utilizador

Em caso de entrega com danos, registo um relatório, fotografe os danos e envie à transportadora em conjunto com uma cópia da guia de remessa. Caso o problema persista, contacte o serviço de apoio ao cliente.

Símbolos e seu significado no dispositivo



O corte e/ou a soldadura podem ser perigosos. Devem estar previstas as condições de trabalho adequadas e as precauções necessárias. Os especialistas são responsáveis pela máquina e devem dispor do equipamento necessário. Os demais devem manter-se afastados da área de corte/soldadura.



Este dispositivo não é compatível nos termos da norma IEC 61000-3-12. Caso pretenda ligar à rede de baixa tensão utilizada nos meios domésticos, é essencial que o instalador ou a pessoa que operará a máquina execute a ligação elétrica e possua informação sobre a conectividade da mesma. Neste caso, a responsabilidade será assumida pela pessoa que realizará a instalação ou pelo operador.



Os símbolos de segurança e as notas de aviso no dispositivo e nas instruções de operação devem ser cumpridos. As etiquetas não devem ser removidas.



As grelhas destinam-se à ventilação. As aberturas devem manter-se descobertas, a fim de permitir a refrigeração adequada e a impedir a entrada de objetos estranhos.

2.2 Recomendações de instalação e operação

- Anéis de elevação ou empilhadeiras devem ser usados para movimentar a máquina. Não levante a máquina com o cilindro de gás. Ao transportar manualmente máquinas de solda portáteis, ações devem ser tomadas de acordo com os regulamentos de Saúde e Segurança Ocupacional. As providências necessárias devem ser tomadas no local de trabalho para garantir que o processo de transporte seja realizado de acordo com as condições de saúde e segurança, tanto quanto possível. As precauções devem ser tomadas de acordo com as características do ambiente de trabalho e os requisitos do trabalho. Coloque a máquina sobre uma superfície dura, nivelada e lisa, onde ela não caia ou tombe
- Caso a temperatura ambiente seja superior a 40 °C, opere a máquina com uma corrente inferior ou um ciclo de operação inferior:
- Evite cortar no exterior, em circunstâncias de vento ou chuva. Caso seja necessário cortar em tais circunstâncias, proteja a área de corte e a máquina de corte com uma cortina e capota.
- Ao posicionar a máquina, certifique-se de que o acesso aos controlos e conexões da máquina não é dificultado por materiais como paredes, cortinas, placas.
- Em caso de corte no interior, use um sistema de extração de fumos adequado. Use um aparelho de respiração, caso, em espaços confinados, exista o risco de inalação de fumos de corte e gás.
- Cumpra os níveis do ciclo de operação previstos na etiqueta do produto. A suspensão dos níveis do ciclo de operação podem danificar a máquina e, por sua vez, anular a garantia.
- O cabo de alimentação deve respeitar o valor do fusível especificado.
- A alimentação elétrica deve possuir ligação à terra, de acordo com as normas elétricas locais e nacionais.
- Garanta que as ligações de alimentação elétrica estão corretas. Caso a fonte de gás esteja comprimida em garrafa, fixe a garrafa de gás para que não tombe.

2.3 Ligação da ficha de rede



Para sua segurança, nunca utilize o cabo principal da máquina sem uma ficha. Proteja o equipamento com fusível de ação retardada adequado ao sistema e com interruptor de emergência que, em casos urgentes, desligue imediatamente a entrada de eletricidade.

- Utilize o cabo de ligação à terra adequado à fonte de alimentação. Insira o conector do chassi no conector na fonte de alimentação e encaixe. Certifique-se de que a ligação fica bem apertada.
- As tarefas de ligação elétrica devem ser realizadas por um electricista qualificado, de acordo as regulamentações locais e nacionais.

2.4 Ligação à alimentação principal



Ao ligar a ficha à tomada, certifique-se de que o interruptor está na posição "0".

- Antes de ligar a máquina à alimentação principal, verifique as 3 fases com um voltímetro. Depois de verificar cada fase, introduza a ficha na tomada.
- Ligue a máquina através do interruptor On/Off.
- Depois de surgir o símbolo MW no ecrã, a máquina está pronta a utilizar. (ID 65 PX)
- Para desligar a máquina, rode o interruptor para a posição "0".

2.5 Ligações para corte por plasma



Durante o processo de corte, mantenha-se atento e use o vestuário de proteção adequado, bem como luvas.

2.5.1 Ligação da garrafa de gás

- Caso a fonte de gás se encontre na área de trabalho ou em garrafa de gás, deve ser utilizado um regulador do gás com capacidade para fornecer gás à entrada de ar da máquina.
- Caso seja utilizada uma garrafa de gás, para prevenir a queda da mesma, fixe-a.
- Para um trabalho seguro e para alcançar os melhores resultados, utilize um regulador normalizado e certifique-se de que a qualidade da alimentação do gás cumpre as normas. A qualidade de alimentação do gás afetará a performance de corte e qualidade do consumo.
- Proteja a linha de gás contra contaminantes, tais como óleo, pó, etc.
- Mantenha a válvula da garrafa de gás aberta durante algum tempo, permitindo a descarga de possíveis sedimentos e partículas.
- Ligue o regulador à garrafa de gás. Certifique-se que a rosca na saída da garrafa de gás e a porca do regulador combinam.
- Ligue uma extremidade da mangueira ao regulador do gás e a outra extremidade à entrada de gás, na parte de trás da máquina, e abra a válvula da garrafa de gás.
- Ajuste o fluxo de gás através da válvula de regulação da pressão.
- Certifique-se da inexistência de fugas nas ligações.
- Caso o limite superior da pressão de entrada do gás seja ultrapassado, o filtro de ar pode sofrer danos.

Fonte de gás	Ar limpo, seco, sem óleo ou nitrogénio
Pressão/nível de fluxo de entrada de gás recomendados	Corte: 185 l/m a 5,5 bar. Chanfro: 208 l/m a 4,6 bar

2.5.2 Ligações de grampos de ligação à terra

- Introduza a ficha do grampo de ligação à terra na tomada de ligação à terra na máquina e aperte rodando para a direita. Certifique-se de que a ligação foi executada.
- Para melhorar a qualidade de corte, fixe o grampo de ligação à terra à peça de trabalho o mais próximo possível da área a cortar.

- Certifique-se de que existe bom contacto metal-metal. Nunca ligue o grampo de ligação à terra à peça cadente do metal.



A fonte de alimentação deve possuir ligação à terra, de acordo com as regulamentações elétricas nacionais e locais, a fim de assegurar a segurança pessoal, reduzir a interferência eletromagnética e criar condições de operação adequadas.

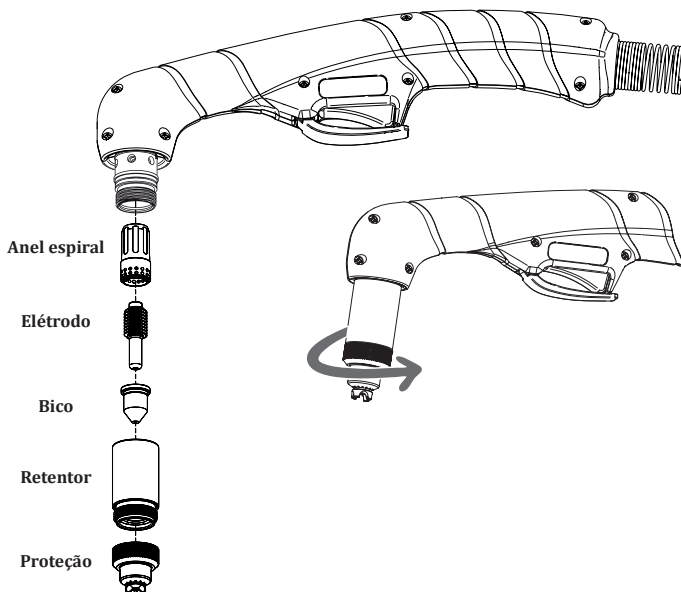
2.5.3 Ligações da tocha

- Devem ser utilizadas tochas de corte por plasma da marca Magmaweld, em função do método de corte a utilizar com a fonte de alimentação.
- Uma tocha manual é utilizada para o corte manual e uma tocha mecânica é utilizada para o corte mecânico.
- Para ligação da tocha, introduza o conector da tocha no respetivo conector na fonte de alimentação e rode para a direita. Certifique-se de que a ligação foi executada.”
- Enquanto liga a tocha, mantenha a alimentação desligada.
- Consulte a secção 5.1, para informações mais detalhadas sobre as tochas.



2.6 Instalação de consumíveis

- Os materiais utilizados para tochas de corte por plasma manuais e mecânicas diferem entre si.
- Primeiro, é necessário preparar os consumíveis da tocha.
- É necessário selecionar os consumíveis adequados, em função do tipo de tocha e do método utilizado.
- Os consumíveis devem ser instalados pela ordem indicada.



- A durabilidade dos consumíveis depende do material a cortar, espessura de corte, comprimento de corte, método de corte, distância adequada ao material, qualidade do ar e frequência de disparo. Caso a frequência de disparo seja elevada, o desgaste do consumível será mais rápido.
- Durante o corte, ao trabalhar com consumíveis protegidos, a ponta da tocha pode tocar no metal a cortar. Ao trabalhar com consumíveis não protegidos, deve ser mantida uma distância de 2-3 mm entre a parte a cortar e a tocha.”
- Consulte a secção 5.1, para informações mais detalhadas sobre consumíveis.



***O arco de plasma forma-se imediatamente ao premir o gatilho da tocha.
Ao substituir consumíveis para plasma, certifique-se de que desliga a fonte de alimentação.***

2.7 Arco piloto

No processo de corte por plasma, é utilizado gás ionizado com elevada condutividade elétrica. Aquando do acionamento da tocha de plasma, é ativada a tensão DC e, em pouco tempo, inicia o fluxo rápido de gás na tocha. Esta tensão DC ioniza o gás na tocha e forma-se o arco. Este arco é diminuído e intensificado pela tocha e designa-se arco piloto.

O arco piloto é expelido pela ponta da tocha através de gases de velocidade elevada. Quando entra em contacto com o metal a cortar, a corrente principal forma-se e inicia-se o corte. O processo de corte continua através do movimento da tocha.

2.8 Comando à distância

O comando à distância será ativado apenas aquando da utilização de tocha mecânica. Na parte de trás da máquina, existe um conector para o comando à distância. Aquando da ligação ao conector na parte de trás da fonte de alimentação, é possível aceder à tensão do arco e é emitido um sinal de transferência do arco e de início do plasma. Consulte a secção 5.2, para informações detalhadas sobre diagrama de cablagem.

Configuração do redutor de tensão

A fonte de alimentação possui um redutor de tensão com cinco posições. A informação da tensão é alterada por meio do redutor de tensão. Por definição, o redutor de tensão está ajustado para 20:1. A tabela seguinte indica a localização dos interruptores DIP para configurações do redutor de tensão.



20:1



20.1:1



30:1



40:1



50:1



: Indica que o interruptor está acima.

Existem 2 tipos de interface de automação - comunicação digital e analógica - utilizados pela máquina de corte por plasma ID 65 PX. A máquina de corte por plasma ID 65 P possui apenas interface de comunicação analógica.

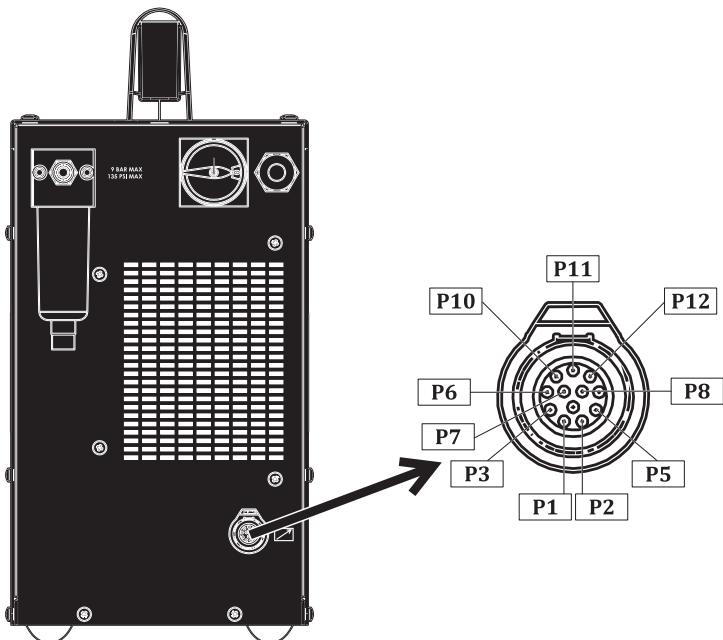
1) Comunicação digital

A máquina inclui uma tomada e uma placa adicionais. A comunicação digital ocorre por meio de Modbus. Para além da comunicação analógica;

- É possível ajustar remotamente a corrente da máquina.
- É possível ajustar remotamente a corrente de corte e a pressão do gás, em função dos materiais a cortar.
- É possível alterar remotamente os modos da máquina.
- Todos os códigos de erros na máquina podem ser apresentados na interface. Neste caso, ocorre a imobilização da mesa ou o aviso ao operador.

A imagem seguinte ilustra os pinos conectores para sinais a utilizar no cabo de interface da máquina. A tabela inclui informações sobre os sinais. A tabela seguinte deve ser respeitada, quando é necessário ligar a fonte de alimentação à mesa de CNC ou o controlador de altura da tocha ao cabo de interface da máquina:

PT

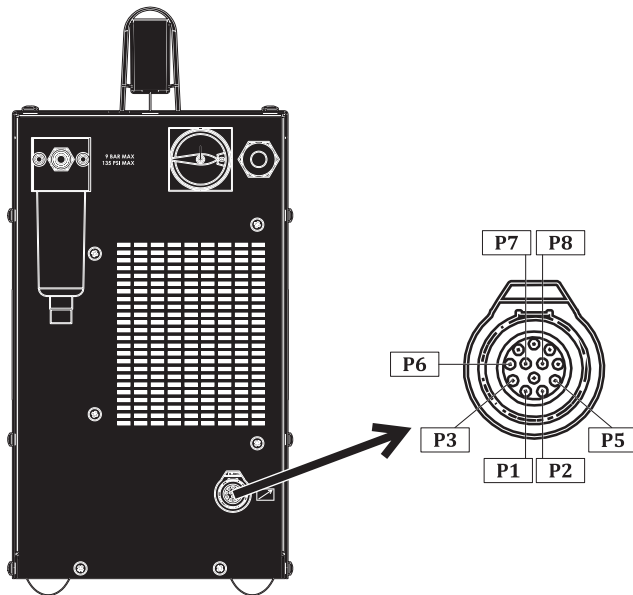


Nome da ligação	Pino conector	Explicação
Iniciar (gatilho)	P5, P2	Possui tensão em circuito aberto de 24 VDC. Requer contacto seco para ativar.
Aprovação de arco	P1, P3	Normalmente, contacto aberto. Aquando da formação do arco de plasma, o contacto desliga-se. (máx. : 220 VDC 2A)
Comunicação	P10 (A) P11 (B) P12 (GND)	ModBus
Redutor de tensão	P7 (+) P8 (-)	A máquina adapta a tensão de saída ao sistema de controlo. As saídas estão divididas em 20:1, 21.1:1, 30:1, 40:1, 50:1.
Terra	P6	Para segurança do equipamento, recomenda-se a ligação do mesmo ao ponto de ligação à terra do seu sistema.

2) Comunicação analógica

Funciona com estrutura de contacto seco. A unidade de automação envia um aviso à máquina de plasma para operar através do contacto seco e o plasma gera um arco piloto. Depois de gerar um arco piloto, a máquina de plasma envia um aviso à unidade de automação com a estrutura de contacto seco. Quando a máquina inicia o processo de corte, comunica a tensão do ar de plasma para que a interface de automação ajuste a altura.

A imagem seguinte ilustra os pinos conectores para sinais a utilizar no cabo de interface da máquina. A tabela inclui informações sobre os sinais. A tabela seguinte deve ser respeitada, quando é necessário ligar a fonte de alimentação à mesa de CNC ou o controlador de altura da tocha ao cabo de interface da máquina:



Nome da ligação	Pino conector	Explicação
Iniciar (gatilho)	P5, P2	Possui tensão em circuito aberto de 24 VDC. Requer contacto seco para ativar.
Aprovação de arco	P1, P3	Normalmente, contacto aberto. Aquando da formação do arco de plasma, o contacto desliga-se. (máx. : 220 VDC 2A)
Redutor de tensão	P7 (+) P8 (-)	A máquina adapta a tensão de saída ao sistema de controlo. As saída estão divididas em 20:1, 21.1:1, 30:1, 40:1, 50:1.
Terra	P6	Para segurança do equipamento, recomenda-se a ligação do mesmo ao ponto de ligação à terra do seu sistema.

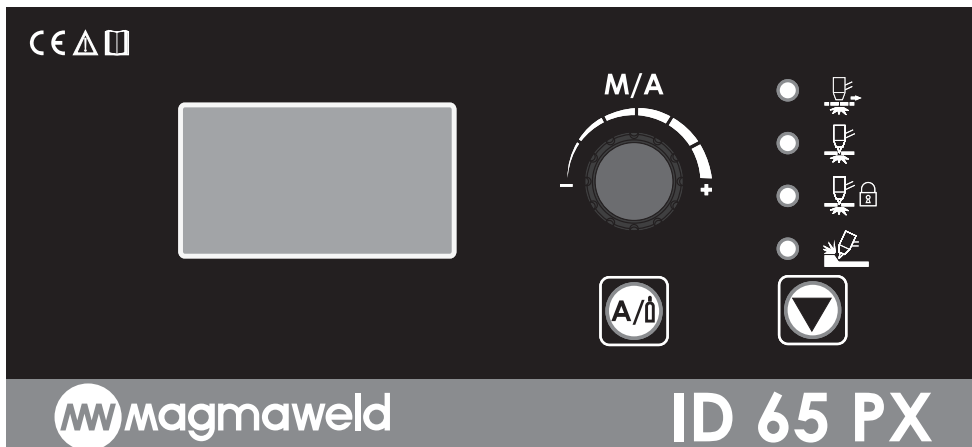


A instalação do cabo de interface da máquina e da unidade de placa/redutor de tensão deve ser realizada por um serviço de assistência autorizado.

Caso a cobertura no conector de interface na parte de trás da máquina não seja utilizada, deve manter-se fechada para evitar a formação de pó e de humidade.

OPERAÇÃO

3.1 Interface do utilizador



MAGMAWELD

ID 65 PX

Ecrã digital

No ecrã digital, é possível monitorizar visualmente a corrente de soldadura ajustada, os valores de pressão, gráfico de pressão e códigos de erro.

Modos de corte



Corte em grelha

Utilizado para cortar materiais formados por metal e espaços vazios, tais como grelhas. Caso este modo não seja utilizado para cortar materiais com espaços vazios, tais como grelhas, o corte do material começa aquando do início do arco piloto e este termina assim que encontra um espaço vazio. Quando alcança a parte metálica após o espaço vazio, é necessário voltar a premir e a libertar o gatilho e iniciar o arco piloto para continuar o corte. O modo de corte em grelha foi concebido para ser utilizado em materiais do tipo grelha. No corte em grelha, assim que prime o gatilho da tocha, forma-se um arco piloto e o material é cortado. O arco piloto é interrompido ao alcançar o espaço vazio e volta a ser ativado quando alcança a parte metálica. Este ciclo repete-se até que liberte o gatilho. O processo de corte termina assim que libertar o gatilho.





Corte normal





No modo de corte normal, assim que premir o gatilho, forma-se um arco piloto e inicia-se o processo de corte. Mesmo que, ao concluir a peça de trabalho, não liberte o gatilho, o arco desaparece e pode libertar o gatilho. Se libertar o gatilho a meio do material, o arco voltará a desaparecer. O arco piloto reaparece quando voltar a premir o gatilho para retomar o processo.

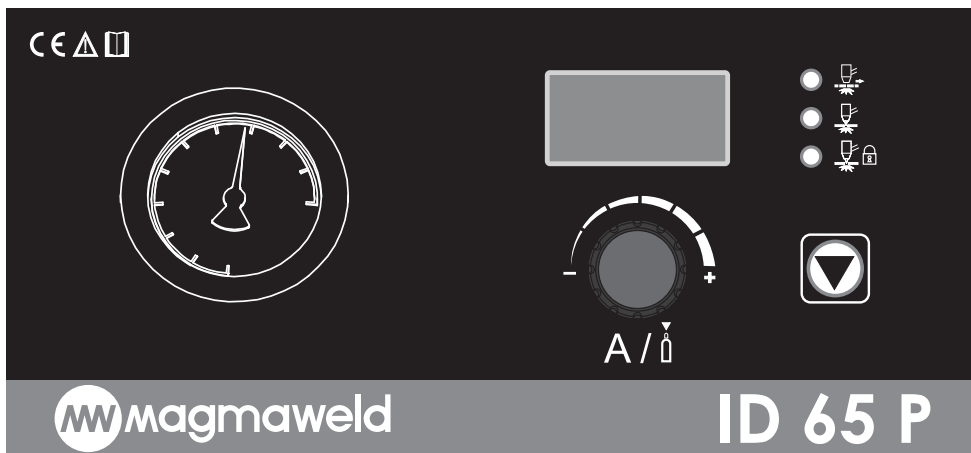


Bloqueio do gatilho da tocha






Neste modo, o arco piloto forma-se assim que premir o gatilho. Depois de iniciar o processo de corte, pode retirar a mão do gatilho e prosseguir aquele. Assim que concluir a peça de trabalho (quando o espaço vazio fica visível), o arco piloto desaparecerá e o modo será desativado. O modo será ativado quando voltar a premir

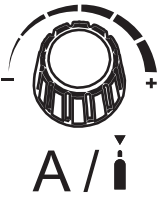



	<p>o gatilho e começar a cortar a peça de trabalho. Este modo facilita o corte, especialmente em peças de trabalho mais compridas. O corte pode ser realizado sem manter continuamente o dedo no gatilho.</p>
	<p> Chanfro</p> <p>Ao seleccionar o método de chanfro no modo automático, o nível de fluxo de gás será automaticamente ajustado pela máquina. Aqui, os consumíveis da tocha devem ser substituídos de acordo com o método de chanfro. O arco piloto forma-se assim que premir o gatilho. O corte é realizado ao longo da peça de trabalho e o arco piloto desaparece assim que concluir a peça de trabalho ou o espaço vazio visível. Então, pode remover o dedo do gatilho.</p>
	<p>Botão de ajuste (M/A: modo manual/automático)</p> <p>Quando é ligada, a máquina inicia no modo automático e não é visível nenhum gráfico de pressão no ecrã. O botão de ajuste é utilizado apenas para ajustar a corrente no modo automático. Rodando o botão para a esquerda e para a direita, é possível ajustar o valor de corrente pretendido dentro de um determinado intervalo. No modo automático, a fonte de alimentação ajusta o gás em função do tipo e do comprimento da tocha. Ajusta, ainda, automaticamente a pressão do gás ideal. O ajuste da pressão do gás pela fonte de alimentação é conveniente e impede a ocorrência de erros pelos utilizadores ao configurar a pressão do gás. Prima o botão de ajuste uma vez para passar para o modo manual e o gráfico de pressão é apresentado no ecrã. Os ajustes da corrente e de pressão do gás são realizados com o botão de ajuste no modo manual.</p> <p> Prima o seletor de corrente/gás e mude para o separador de ajuste de corrente ou de gás. Quando chegar ao separador da corrente, este é indicado por uma seta. Para ajustar a corrente, rode o botão de ajuste para a direita e para a esquerda até ao valor pretendido dentro de determinadas tolerâncias. Caso as setas estejam no centro do gráfico de pressão do gás, esta está definida para o valor ideal sugerido pela máquina.</p> <div data-bbox="266 855 568 1023"> </div> <p> Ao premir o seletor de corrente/gás e passar para o separador de ajuste do gás, este será indicado por uma seta. A fonte de alimentação ajusta automaticamente a pressão do gás. Contudo, o utilizador pode ajustá-la dentro de um determinado intervalo. Ao rodar o botão de ajuste para a direita, a pressão do gás aumentará e o gráfico de pressão do gás move-se para a direita. Ao rodar o botão de ajuste para a esquerda, a pressão do gás diminuirá e o gráfico de pressão do gás move-se para a esquerda. A configuração de pressão do gás ideal conforme o fluxo ajustado corresponde ao valor indicado no centro do gráfico.</p> <div data-bbox="266 1238 568 1406"> </div>

	<p>Diagrama de pressão do gás Apresenta graficamente o valor de pressão do gás.</p> <p>Caso esteja vazio, é selecionada a pressão do gás ideal definida pela fonte de alimentação. O centro do gráfico apresenta a pressão do gás ideal (4,8 BAR/70 PSI). A pressão do gás aumentará, se, ao ajustá-la, rodar o botão para a direita. A área direita do gráfico começa a encher. O valor máximo de pressão do gás é 5,5 BAR (80 PSI).</p> <p>A pressão do gás diminuirá, se, ao ajustá-la, rodar o botão para a esquerda. A área esquerda do gráfico começa a encher. O valor mínimo de pressão do gás é 4,4 BAR (64 PSI).</p>
	<p>Seletor de corrente/gás Permite alternar entre os valores de corrente e de pressão do gás, no modo manual. Os ajustes são executados através do botão de ajuste.</p>
	<p>Código de erro Apresenta o ícone de erro e respetivo código.</p>
	<p>Ligação remota Indica que a ligação remota está ativa.</p>



PT

	<p>Ecrã digital No ecrã digital, é possível monitorizar visualmente a corrente de soldadura ajustada, os valores de pressão, gráfico de pressão e códigos de erro.</p>
	<p>Modos de corte</p> <p> Corte em grelha</p> <p>Utilizado para cortar materiais formados por metal e espaços vazios, tais como grelhas. Caso este modo não seja utilizado para cortar materiais com espaços vazios, tais como grelhas, o corte do material começa aquando do início do arco piloto e este termina assim que encontra um espaço vazio. Quando alcança a parte metálica após o espaço vazio, é necessário voltar a premir e a libertar o gatilho e iniciar o arco piloto para continuar o corte. O modo de corte em grelha foi concebido para ser utilizado em materiais do tipo grelha. No corte em grelha, assim que prime o gatilho da tocha, forma-se um arco piloto e o material é cortado. O arco piloto é interrompido ao alcançar o espaço vazio e volta a ser ativado quando alcança a parte metálica. Este ciclo repete-se até que liberte o gatilho. O processo de corte termina assim que libertar o gatilho.</p> <p> Corte normal</p> <p>No modo de corte normal, assim que premir o gatilho, forma-se um arco piloto e inicia-se o processo de corte. Mesmo que, ao concluir a peça de trabalho, não liberte o gatilho, o arco desaparece e pode libertar o gatilho. Se libertar o gatilho a meio do material, o arco voltará a desaparecer. O arco piloto reaparece quando voltar a premir o gatilho para retomar o processo.</p> <p> Bloqueio do gatilho da tocha</p> <p>Neste modo, o arco piloto forma-se assim que premir o gatilho. Depois de iniciar o processo de corte, pode retirar a mão do gatilho e prosseguir aquele. Assim que concluir a peça de trabalho (quando o espaço vazio fica visível), o arco piloto desaparecerá e o modo será desativado. O modo será ativado quando voltar a premir o gatilho e começar a cortar a peça de trabalho. Este modo facilita o corte, especialmente em peças de trabalho mais compridas. O corte pode ser realizado sem manter continuamente o dedo no gatilho.</p>

	<p>Botão de ajuste A: Ajuste de corrente / i Ajuste de gás Para ajustar a corrente, rode o botão de ajuste para a esquerda ou para a direita para definir o valor da corrente para determinado intervalo.</p>  <p>Prima o botão de ajuste uma vez, para passar para o ajuste do gás. A máquina passa para o modo de gás livre, o ecrã de pressão  apresenta cerca de 4,2 bar. Ao puxar o botão de ajuste de pressão do gás no filtro de ar para cima e colocando-o na posição livre, pode aumentar/reduzir a pressão, rodando-o para a direita/esquerda.</p>
	<p>Indicador de pressão Apresenta a pressão no interior da tocha.</p>

3.2 Utilização da tocha

Prima o gatilho da tocha, empurrando a capa protetora no mesmo para a frente aquando do início do processo de corte. O arco de plasma forma-se assim que premir o gatilho da tocha. Para garantir um corte uniforme, a ponta da tocha deve ser lentamente empurrada para a frente ao longo do material a cortar. Caso esteja ligada a tocha automática, a máquina deteta a mesma e aguarda o sinal do interface de automação. Este envia os dados necessários à interface de automação. Consulte a secção 5.1, para informações mais detalhadas sobre as tochas.



O gatilho da tocha está ativo quando a fonte de alimentação está ligada. Certifique-se de que não coloca as mãos no percurso de maquinaria.

Não segure a peça de trabalho com as mãos nem aponte a tocha para si ou para outros.



MANUTENÇÃO E REPARAÇÃO

- A manutenção e reparação da máquina devem ser realizadas por pessoas qualificadas para o efeito. A nossa empresa não se responsabiliza por quaisquer acidentes que possam ocorrer na sequência de intervenções não autorizadas.
- É possível adquirir as peças a utilizar durante a reparação junto dos nossos serviços autorizados. A utilização de peças de substituição originais prolongará a durabilidade da sua máquina e evitará perdas de desempenho.
- Contacte sempre o fabricante ou um serviço autorizado especificado pelo fabricante.
- Nunca proceda a intervenções por si próprio. Caso o faça, a garantia do fabricante perde a validade.
- Durante a manutenção e reparação, cumpra sempre todas as normas de segurança aplicáveis.
- Antes de efetuar qualquer reparação na máquina, desligue a ficha de alimentação da mesma e aguarde durante 10 segundos pela descarga dos condensadores.

PT

4.1 Manutenção



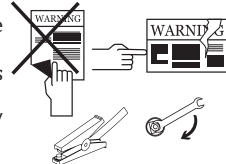
Manutenção diária

- Os consumíveis da tocha devem ser verificados regularmente e substituídos, caso apresentem desgaste ou danos. Para uma utilização duradoura e elevado desempenho, certifique-se de que estes são produtos originais.



A cada 3 meses

- Não remova as etiquetas de aviso do dispositivo. Substitua as etiquetas usadas/danificadas por etiquetas novas. É possível adquirir etiquetas junto do serviço de assistência autorizado.
- Verifique os grampos e os cabos. Preste atenção às ligações e à resistência das peças.
- Substitua as peças danificadas/avariadas por peças novas. Nunca acrescente/repare os cabos.
- Garanta o espaço adequado para ventilação.



A cada 6 meses

- Limpe e aperte elementos de fixação, tais como parafusos e porcas. Verifique o grampo da peça de trabalho e cabos. Abra as coberturas laterais da máquina e limpe com ar seco. Não utilize ar comprimido muito próximo em componentes eletrónicos.
- Certifique-se de que o filtro de ar está limpo. Em caso de sujidade, substitua por um novo.



NOTA: os intervalos acima indicados são os períodos máximos a aplicar caso não sejam detetados problemas no seu dispositivo. Dependendo da carga de trabalho e da contaminação do seu ambiente de trabalho, é possível repetir os processos com maior frequência.



A operação da máquina de corte por plasma nunca deve ocorrer com coberturas abertas.

4.2 Resolução de problemas

As tabelas seguintes indicam erros possíveis e respetivas soluções.

Falha	Motivo	Solução
A máquina não funciona	<ul style="list-style-type: none"> • Problema na ligação elétrica da máquina 	<ul style="list-style-type: none"> • Certifique-se de que a máquina está ligada à eletricidade • Caso o problema persista, contacte o serviço de assistência autorizado
	<ul style="list-style-type: none"> • Ligações à rede incorretas 	<ul style="list-style-type: none"> • O interruptor on/off não funciona corretamente • Caso o problema persista, contacte o serviço de assistência autorizado
	<ul style="list-style-type: none"> • O fusível da alimentação principal apresenta falha ou o cabo principal está danificado 	<ul style="list-style-type: none"> • Verifique o fusível da alimentação principal, cabo principal e ficha • Caso o problema persista, contacte o serviço de assistência autorizado
	<ul style="list-style-type: none"> • O interruptor on/off não funciona corretamente 	<ul style="list-style-type: none"> • Verifique o interruptor on/off • Caso o problema persista, contacte o serviço de assistência autorizado
A máquina está a funcionar, mas não corta	<ul style="list-style-type: none"> • A pressão e o fluxo de ar podem não ser adequados 	<ul style="list-style-type: none"> • Verifique a pressão do ar e a qualidade do ar e certifique-se de que o nível de fluxo é adequado e de que o ar está seco e limpo • Caso o problema persista, contacte o serviço de assistência autorizado
	<ul style="list-style-type: none"> • A tensão principal pode não ser adequada 	<ul style="list-style-type: none"> • Certifique-se de que a tensão principal à máquina é adequada • Caso o problema persista, contacte o serviço de assistência autorizado
	<ul style="list-style-type: none"> • Os grampos de ligação à terra podem não estar fixados à peça ou à máquina 	<ul style="list-style-type: none"> • Certifique-se de que os grampos de ligação à terra estão ligados à peça de trabalho e à máquina. Limpe a área de contacto entre os grampos de ligação à terra e a peça de trabalho • Certifique-se de que os grampos de ligação à terra não apresentam danos • Caso o problema persista, contacte o serviço de assistência autorizado
	<ul style="list-style-type: none"> • A tocha e/ou os consumíveis podem apresentar desgaste ou danos 	<ul style="list-style-type: none"> • Certifique-se de que a tocha e/ou os consumíveis não apresentam desgaste ou danos e substitua-os, se necessário • Caso o problema persista, contacte o serviço de assistência autorizado
	<ul style="list-style-type: none"> • Não existe transferência do arco à peça de trabalho 	<ul style="list-style-type: none"> • Certifique-se de que a superfície da peça de trabalho não está pintada e está limpa • Certifique-se de que a tocha está a uma distância adequada da peça de trabalho • Caso o problema persista, contacte o serviço de assistência autorizado

Falha	Motivo	Solução
A máquina está a funcionar, mas não corta	<ul style="list-style-type: none"> A pressão e o fluxo de ar podem não ser adequados, possível sujidade nos elementos de filtro de ar 	<ul style="list-style-type: none"> Verifique a pressão do ar e a qualidade do ar. Certifique-se de que a pressão do ar e o nível de fluxo são adequados e de que o ar está seco e limpo Caso o problema persista, contacte o serviço de assistência autorizado
	<ul style="list-style-type: none"> A tocha e/ou os consumíveis podem apresentar desgaste ou danos 	<ul style="list-style-type: none"> Certifique-se de que a tocha e/ou os consumíveis não apresentam desgaste ou danos e substitua-os, se necessário Caso o problema persista, contacte o serviço de assistência autorizado
	<ul style="list-style-type: none"> A tocha e/ou os consumíveis podem não estar corretamente selecionados ou instalados 	<ul style="list-style-type: none"> Certifique-se de que a tocha e/ou os consumíveis são utilizados e instalados corretamente Caso o problema persista, contacte o serviço de assistência autorizado
	<ul style="list-style-type: none"> O modo de corte pode estar incorretamente selecionado 	<ul style="list-style-type: none"> Certifique-se de que o modo de corte é o correto Caso o problema persista, contacte o serviço de assistência autorizado
	<ul style="list-style-type: none"> O valor de amperagem da corrente pode ter sido incorretamente selecionado 	<ul style="list-style-type: none"> O valor da corrente deve ser selecionado em função do material a cortar (espessura e tipo de material) Caso o problema persista, contacte o serviço de assistência autorizado
	<ul style="list-style-type: none"> A velocidade e a espessura de corte adequadas para o desempenho da máquina podem ter sido ultrapassadas 	<ul style="list-style-type: none"> Certifique-se de que a velocidade e a espessura de corte são adequadas Caso o problema persista, contacte o serviço de assistência autorizado
	<ul style="list-style-type: none"> A altura ou o ângulo da tocha em relação à peça de trabalho podem ser incorretos 	<ul style="list-style-type: none"> Certifique-se de que a altura e o ângulo da tocha em relação à peça de trabalho são corretos Caso o problema persista, contacte o serviço de assistência autorizado
	<ul style="list-style-type: none"> A direção de corte pode ser incorreta 	<ul style="list-style-type: none"> Certifique-se de que a direção de corte é a correta Caso o problema persista, contacte o serviço de assistência autorizado

4.4 Códigos de erro

A lista seguinte inclui todos os códigos de erro das máquinas de soldar. Considere os códigos de erro relacionados com a sua máquina.

Código de erro	Erro	Causa	Solução
E01	Proteção térmica (primária)	<ul style="list-style-type: none"> O tempo de funcionamento da sua máquina foi excedido 	<ul style="list-style-type: none"> Permita o arrefecimento da máquina, aguardando um pouco. Caso a falha desapareça, tente ligar a máquina com valores de amperagem mais baixos Caso o problema persista, contacte o serviço de assistência autorizado
		<ul style="list-style-type: none"> A ventoinha pode não estar a funcionar 	<ul style="list-style-type: none"> Verifique visualmente se a ventoinha está a funcionar Caso o problema persista, contacte o serviço de assistência autorizado
		<ul style="list-style-type: none"> Possível obstrução da frente das condutas de entrada/saída de ar 	<ul style="list-style-type: none"> Abra a frente das condutas de ar Caso o problema persista, contacte o serviço de assistência autorizado
		<ul style="list-style-type: none"> Possível sobreaquecimento do ambiente de trabalho da máquina 	<ul style="list-style-type: none"> Certifique-se de que o ambiente de trabalho da máquina não está demasiado quente ou mal ventilado Caso o problema persista, contacte o serviço de assistência autorizado
E02	Tensão de rede reduzida	<ul style="list-style-type: none"> Possível redução da tensão de rede 	<ul style="list-style-type: none"> Verifique os cabos de ligação à rede e tensão. Certifique-se de que está disponível a tensão correta de entrada. Caso a tensão de rede esteja normal, contacte o serviço de assistência autorizado
E03	Tensão de rede elevada	<ul style="list-style-type: none"> Possível aumento da tensão de rede 	<ul style="list-style-type: none"> Verifique os cabos de ligação à rede e tensão. Certifique-se de que está disponível a tensão correta de entrada. Caso a tensão de rede esteja normal, contacte o serviço de assistência autorizado
E04	Erro de leitura de corrente/ tensão	<ul style="list-style-type: none"> Possível erro de hardware 	<ul style="list-style-type: none"> Contacte o serviço de assistência autorizado
E05	Erro de leitura do sensor térmico	<ul style="list-style-type: none"> Possível erro de hardware 	<ul style="list-style-type: none"> Contacte o serviço de assistência autorizado
E06	Erro da unidade de refrigeração a água	<ul style="list-style-type: none"> Possível erro na unidade de refrigeração a água 	<ul style="list-style-type: none"> Verifique o conector da unidade de refrigeração a água e as entradas/saídas da tocha Certifique-se de que existe circulação de água Caso o problema persista, contacte o serviço de assistência autorizado
E07	Erro de Sistema	<ul style="list-style-type: none"> Possível erro de hardware 	<ul style="list-style-type: none"> Contacte o serviço de assistência autorizado
E08			
E09			
E10	Erro de ligação da tocha	<ul style="list-style-type: none"> Possível falha da tocha ou das ligações da tocha 	<ul style="list-style-type: none"> Verifique a tocha e as ligações da tocha Caso o problema persista, contacte o serviço de assistência autorizado

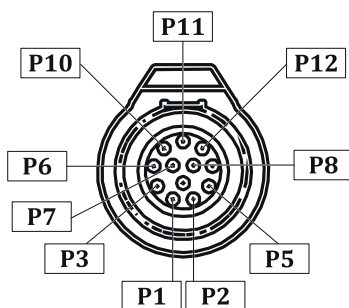
Código de erro	Erro	Causa	Solução
E11	Erro de Sistema	• Possível erro de hardware	• Contacte o serviço de assistência autorizado
E12			
E13	Erro do a limentador de fio	• Possível erro na alimentação de fio	<ul style="list-style-type: none"> • Verifique o compartimento do fio, o carreto, a pressão do carreto e as ligações da tocha • Caso o problema persista, contacte o serviço de assistência autorizado
E14	Erro de Sistema	• Possível erro de hardware	• Contacte o serviço de assistência autorizado
E15	Erro de comunicação do comando à distância	• Possível erro nas ligações do comando à distância	<ul style="list-style-type: none"> • Verifique as ligações do comando à distância • Caso o problema persista, contacte o serviço de assistência autorizado
E16	Erro de Sistema	• Possível erro de hardware	• Contacte o serviço de assistência autorizado
E17			
E18			
E19	Proteção térmica (secundária)	• O tempo de funcionamento da sua máquina foi excedido	<ul style="list-style-type: none"> • Permita o arrefecimento da máquina, aguardando um pouco. Caso a falha desapareça, tente ligar a máquina com valores de amperagem mais baixos • Caso o problema persista, contacte o serviço de assistência autorizado
		• A ventoinha pode não estar a funcionar	<ul style="list-style-type: none"> • Verifique visualmente o funcionamento da ventoinha • Caso o problema persista, contacte o serviço de assistência autorizado
		• Possível obstrução da frente das condutas de entrada/saída de ar	<ul style="list-style-type: none"> • Desobstrua a frente das condutas de ar • Caso o problema persista, contacte o serviço de assistência autorizado
		• Possível sobreaquecimento do ambiente de trabalho da máquina	<ul style="list-style-type: none"> • Certifique-se de que o ambiente de trabalho da máquina não está demasiado quente ou mal ventilado • Caso o problema persista, contacte o serviço de assistência autorizado
E20	Erro de Sistema	• Possível erro de hardware	• Contacte o serviço de assistência autorizado
E21			
E22			
E23			
E26	Pressão de entrada reduzida	• A pressão de entrada pode ser reduzida	• Verifique as ligações de ar/gás; certifique-se de que a pressão de entrada é adequada. Caso a tensão de rede esteja normal, contacte o serviço de assistência autorizado
E27	Proteção da tocha não instalada	• A proteção da tocha pode não estar instalada ou corretamente encaixada	<ul style="list-style-type: none"> • Certifique-se de que a proteção da tocha está corretamente encaixada na máquina • Caso o problema persista, contacte o serviço de assistência autorizado

Código de erro	Erro	Causa	Solução
E28	Erro de Sistema	<ul style="list-style-type: none">• Possível erro de hardware	<ul style="list-style-type: none">• Contacte o serviço de assistência autorizado
E29	Tensão de barramento DC reduzida	<ul style="list-style-type: none">• Possível redução da tensão de rede	<ul style="list-style-type: none">• Verifique os cabos de ligação à rede e tensão. Certifique-se de que está disponível a tensão correta de entrada. Caso a tensão de rede esteja normal, contacte o serviço de assistência autorizado
E30	Tensão de barramento DC elevada	<ul style="list-style-type: none">• Possível aumento da tensão de rede	<ul style="list-style-type: none">• Verifique os cabos de ligação à rede e tensão. Certifique-se de que está disponível a tensão correta de entrada. Caso a tensão de rede esteja normal, contacte o serviço de assistência autorizado
E31	Erro de Sistema	<ul style="list-style-type: none">• Possível erro de hardware	<ul style="list-style-type: none">• Contacte o serviço de assistência autorizado

PT

ANEXO

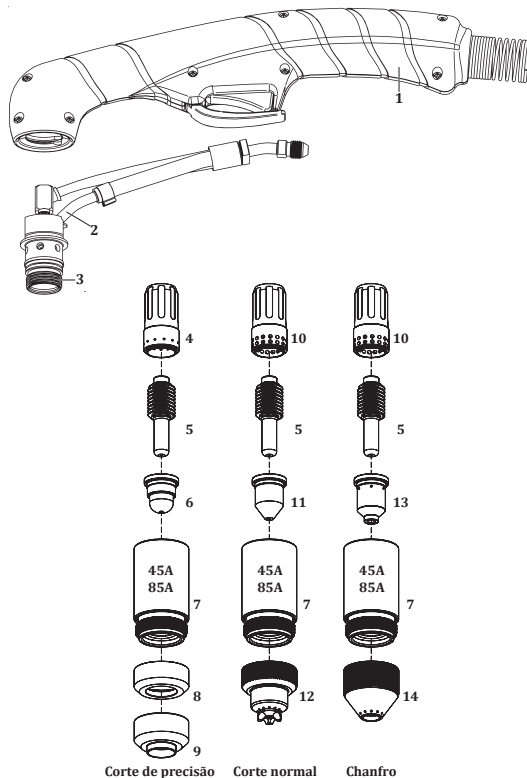
5.1 Diagrama de ligação de corte por plasma



Vista frontal

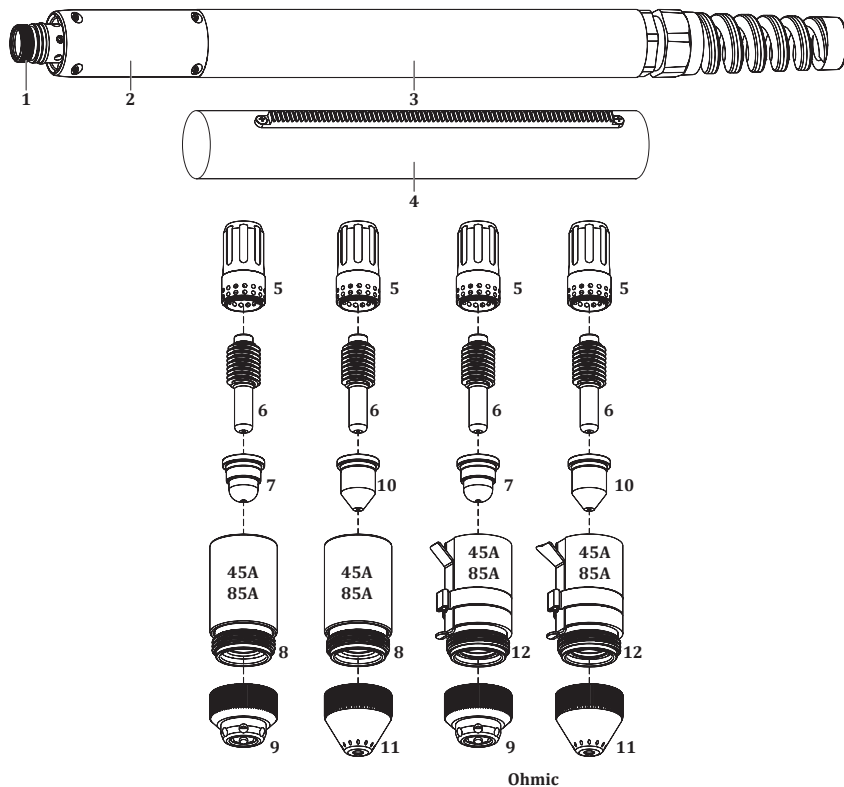
N.º PINO	CABO	NOME DA LIGAÇÃO	EXPLICAÇÃO
1	Amarelo	Aprovação de arco	Normalmente, contacto aberto. Aquando da formação do arco de plasma, o contacto desliga-se. (Máx. : 220 VDC 2A)
3	Castanho		
2	Verde	Iniciar (gatilho)	Possui tensão em circuito aberto de 24 VDC. Requer contacto seco para ativar.
5	Branco		
6	Proteção	Terra	Para segurança do equipamento, recomenda-se a ligação do mesmo ao ponto de ligação à terra do seu sistema.
7	Vermelho	Vo (+)	A máquina adapta a tensão de saída ao sistema de controlo. As saída estão divididas em 20:1, 21.1:1, 30:1, 40:1, 50:1.
8	Preto	Vo (-)	
10	Cinzento	ModBus A	ModBUS-RTU/19200 bps/8N1 (Apenas disponível no modelo PCA.)
11	Rosa	ModBus B	
12	Azul	ModBus GND	

5.2 Consumíveis e peças de substituição da tocha manual



N.º	DEFINIÇÃO	CÓDIGO MATERIAL
1	Manípulo da tocha	Y542000019
2	Cabeça da tocha	Y542000016
3	O-Ring	Y542000018
4	Anel espiral	7042220947
5	Eléctrodo	7042E00001
6	Bico	7042220930
7	Retentor	7042220854
8	Proteção	7042220955
9	Proteção	7042220931
10	Anel espiral (padrão)	7042220857
11	Bico	7042220819
12	Proteção	7042220818
13	Bico	70422208NG
14	Proteção	70422209SG

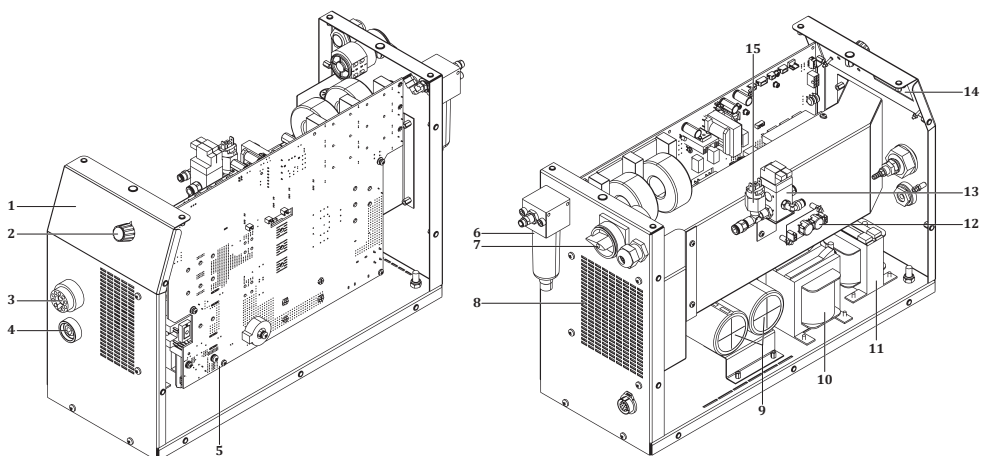
5.3 Consumíveis e peças de substituição da tocha mecânica



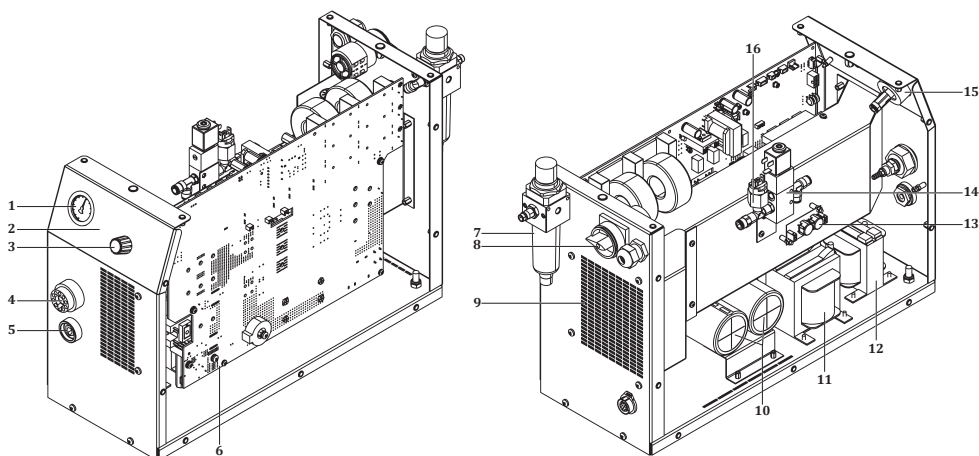
N.º	DEFINIÇÃO	CÓDIGO MATERIAL
1	O-Ring	Y542000018
2	Cabeça da tocha	Y542000017
3	Posicionador de tocha (padrão)	Y542000020
4	Posicionador de tocha	7942000010
5	Anel espiral (padrão)	7042220857
6	Eléctrodo	7042E00001
7	Bico	7042220930
8	Retentor	7042220854
9	Proteção	7042220948
10	Bico	7042220819
11	Proteção	7042220817
12	Bico	7042220953

5.4 Lista de peças de substituição da máquina de corte por plasma

ID 65 PX



N.º	DEFINIÇÃO	ID 65 PX
1	Etiqueta da Membrana	K109900170
2	Potenciómetro	A229500001
3	Conector da tocha plasma	K309000033
4	Tomada de soldadura	A377900103
5	Placa eletrónica E230A-1 V2.3	K405000330
6	Filtro	A256001242
7	Interruptor Pacco	A308000017
8	Ventoinha	A250001141
9	Condensador eletrolítico	A420200016
10	Transformador de alimentação	A366000034
11	Bobina	A421050007
12	Placa eletrónica E230A-4 V1.0	K405000327
13	Válvula	A253003050
14	Placa eletrónica E230A-2 V1.3	K405000329
15	Pressóstato	A253001150

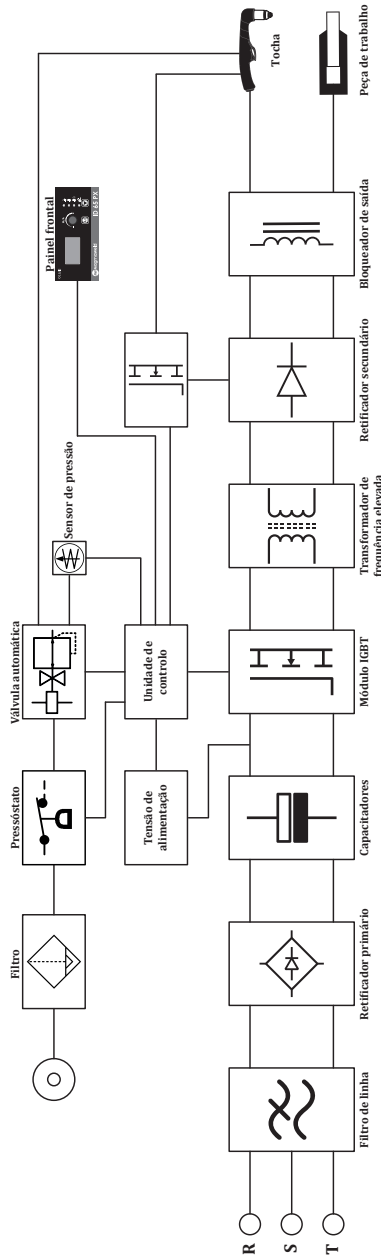
ID 65 P

N.º	DEFINIÇÃO	ID 65 P
1	Manómetro	A827000017
2	Etiqueta da Membrana	K109900171
3	Potenciómetro	A229500001
4	Conector da tocha plasma	K309000033
5	Tomada de soldadura	A377900103
6	Placa eletrónica E230A-1 V2.3	K405000330
7	Filtro	A256001240
8	Interruptor Pacco	A308000017
9	Ventoinha	A250001141
10	Condensador eletrolítico	A420200016
11	Transformador de alimentação	A366000034
12	Bobina	A421050007
13	Placa eletrónica E230A-4 V1.0	K405000327
14	Válvula	A253001151
15	Placa eletrónica E230A-1 V1.1	K405000328
16	Pressóstato	A253001150

PT

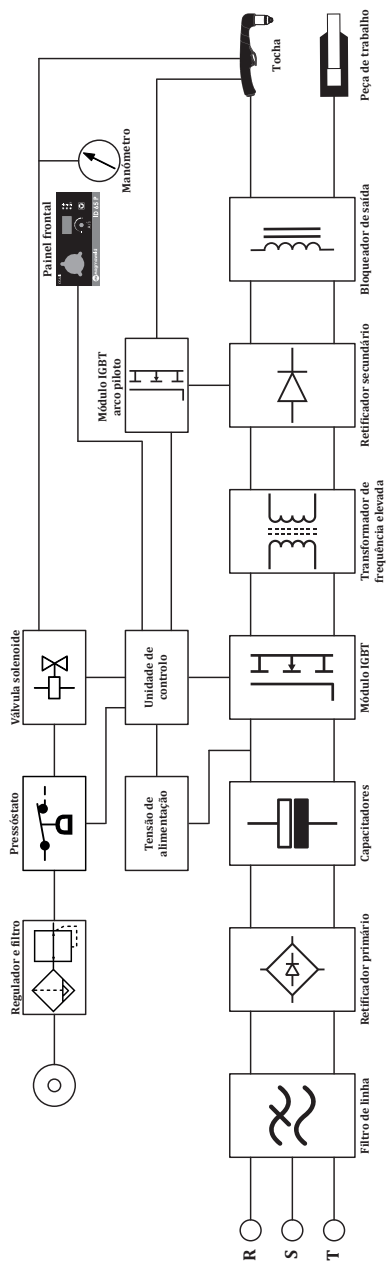
5.5 Diagramas de Conexão

Diagrama de blocos ID 65 PX



PT

ID 65 P

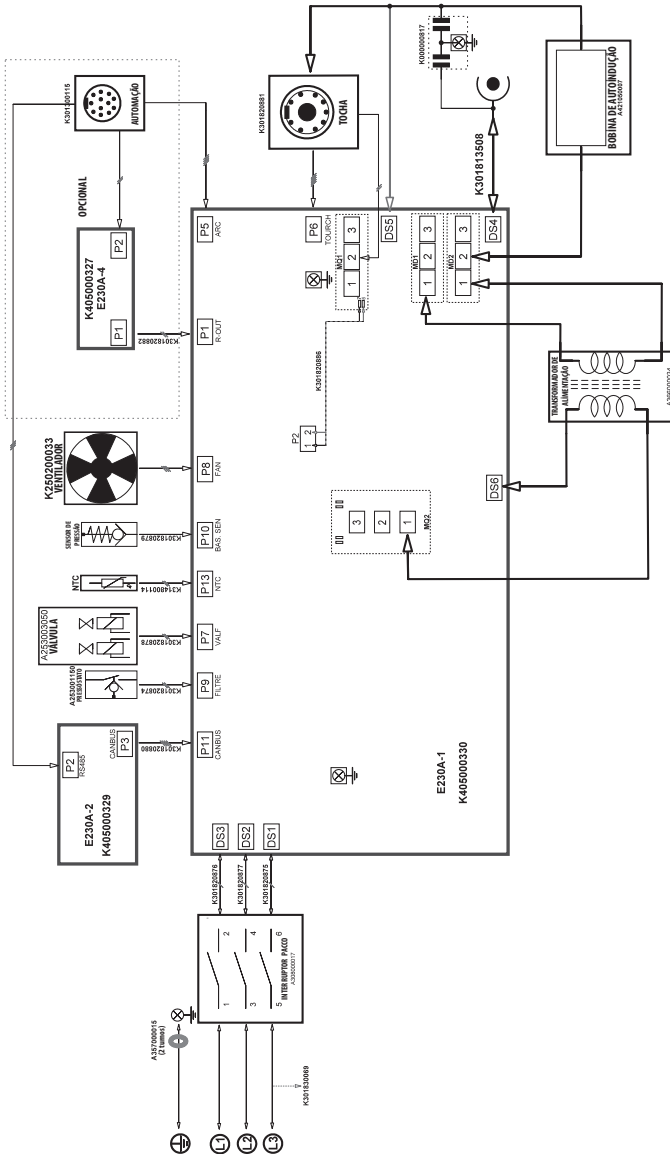


PT

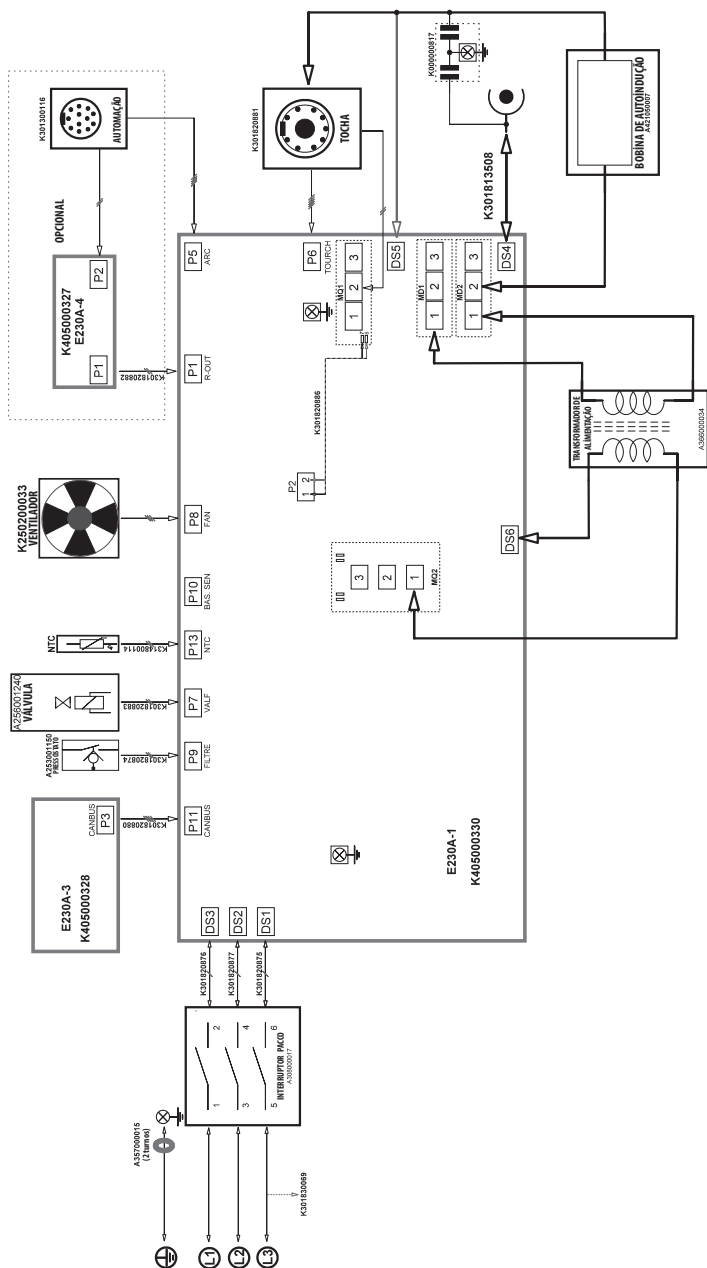
Diagramas de Circuitos

ID 65 PX

PT



ID 65 P



PT

INFORMAÇÃO DO PRODUTO**Modelo****Número de série****FABRICANTE****Nome**

MAGMA MEKATRONİK MAKİNE SANAYİ VE TİCARET A.Ş.

Morada

Organize Sanayi Bölgesi 5. Kısım MANİSA

Telefone/e-mail

+90 236 226 27 00 / info@magmaweld.com

DADOS DA AQUISIÇÃO**Nome do distribuidor****Cidade/país****Telefone/e-mail****Data de aquisição****DADOS DO CLIENTE****Nome da empresa****Cidade/país****Telefone/e-mail****Nome de contacto****DADOS DE ASSISTÊNCIA (se aplicável)****Nome da empresa****Nome do técnico****Data de entrada em funcionamento**
(data de início da garantia)

Para consultar os termos da garantia, visite a nossa página
www.magmaweld.com/warranty-terms/wt.


ÍNDICE

	NORMAS DE SEGURIDAD	206
1	INFORMACIÓN TÉCNICA	
1.1	Descripciones generales	212
1.2	Componentes de la máquina	212
1.3	Etiqueta del producto	214
1.4	Especificaciones técnicas	215
1.5	Accesorios	215
2	INSTALACIÓN	
2.1	Consideraciones al recibir	216
2.2	Recomendaciones de instalación y funcionamiento	216
2.3	Conexión del enchufe eléctrico	217
2.4	Conexión de red	217
2.5	Conexiones para corte por plasma	217
2.5.1	Conexiones de gas	217
2.5.2	Conexiones de pinzas de puesta a tierra	217
2.5.3	Conexiones de antorcha	218
2.6	Ubicación de consumibles	218
2.7	Arco Piloto	219
2.8	Mando remoto	219
3	INFORMACIÓN DE USO	
3.1	Interfaz de usuario	222
3.2	Uso de la antorcha	226
4	MANTENIMIENTO Y FALLAS	
4.1	Mantenimiento	227
4.2	Reparación de averías	228
4.3	Códigos de error	230
5	ANEXOS	
5.1	Diagrama de cableado de automatización de corte por plasma	233
5.2	Consumibles y repuestos de la antorcha manual	234
5.3	Mekanize Torç Sarfları ve Yedek Parçaları	235
5.4	Lista de piezas de repuesto de la máquina de corte por plasma	236
5.5	Diagramas de conexión	238

NORMAS DE SEGURIDAD

Siga todas las normas de seguridad incluidas en el manual!

Definición de información de seguridad



- Los símbolos de seguridad del manual se utilizan para identificar peligros potenciales.
- Cuando aparezca cualquier símbolo de seguridad en este manual, debe entenderse que existe un riesgo de lesiones y los peligros potenciales deben evitarse leyendo atentamente las siguientes explicaciones.
- El propietario de la máquina es responsable de evitar que personas no autorizadas accedan al equipo.
- Las personas que utilizan la máquina tienen experiencia o están completamente capacitadas en soldadura/corte, debe leer el manual del usuario y seguir las advertencias de seguridad antes de comenzar el trabajo.

Definición de símbolos de seguridad



ATENCIÓN

Indica una situación potencialmente peligrosa que podría provocar lesiones o daños. En caso de no tomar precauciones, se pueden producir lesiones o pérdidas/daños materiales.



IMPORTANTE

Indica información y advertencias de uso.



PELIGRO

Indica peligro grave. Cuando no proceda, puede provocar la muerte o lesiones graves.

Comprender las advertencias de seguridad



- Lea atentamente el manual de usuario, las etiquetas y las advertencias de seguridad de la máquina.
- Asegúrese de que las etiquetas de advertencia de la máquina estén en buen estado. Reemplace las etiquetas faltantes o dañadas.
- Aprenda cómo se opera la máquina y cómo hacer debidamente los controles.
- Utilice la máquina en entornos de trabajo adecuados.
- Los cambios inapropiados que se puedan realizar en su máquina afectarán negativamente la operación segura y la vida útil de su máquina.
- El fabricante no asume responsabilidad de las consecuencias de operar el dispositivo fuera de las condiciones especificadas.

Peligro de muerte por descarga eléctrica!



Asegúrese de que los procedimientos de instalación cumplan con los estándares eléctricos nacionales y otras regulaciones pertinentes, y haga que personas autorizadas instalen la máquina.

- Use guantes y delantales secos y bien aislados. Nunca use guantes y delantales mojados o dañados.
- Lleve ropa protectora ignífuga contra el riesgo de quemaduras. La ropa utilizada por el operario debe ser protectora contra chispas, salpicaduras y radiación de arco.
- No trabaje solo. En caso de peligro, asegúrese de que haya alguien en su entorno que pueda informarle.
- No toque el electrodo con las manos desprotegidas. Evite que los alicates o electrodos del electrodo entren en contacto con cualquier persona u objeto conectado a tierra.
- Nunca toque partes con acumulación de cargas eléctricas.
- Si está en contacto con un electrodo conectado a la superficie de trabajo, piso u otra máquina, nunca toque el electrodo.
- Puede protegerse de posibles descargas eléctricas aislándose de la superficie de trabajo y del suelo. Utilice un material aislante no inflamable, eléctricamente aislante, seco y sin daños lo suficientemente grande como para eliminar el contacto entre la superficie de trabajo y el operario.
- No conecte más de un electrodo al portaelectrodos.
- Fije las pinzas de puesta a tierra a la pieza de trabajo o a la mesa de trabajo lo más cerca posible para garantizar un buen contacto de metal con metal.
- Verifique la antorcha antes de operar la máquina. Asegúrese de que la antorcha y sus cables estén en buenas condiciones. Asegúrese de reemplazar una antorcha dañada y desgastada.
- No toque los portaelectrodos conectados a 2 máquinas diferentes al mismo tiempo ya que habrá doble tensión de circuito abierto.
- Mantenga la máquina apagada cuando no esté en uso y desconecte los cables.
- Desconecte todas las conexiones de alimentación y/o enchufes o apague la máquina antes de repararla.

- Tenga cuidado al utilizar un cable de red largo.
- Asegúrese de que todas las conexiones estén apretadas, limpias y secas.
- Asegúrese de que los cables estén secos, limpios y sin aceite. Proteja de piezas de metal calientes y chispas.
- Los cables pelados sin aislamiento representan un peligro mortal. Compruebe con frecuencia todos los cables para detectar posibles daños. Si detecte un cable dañado o sin aislamiento, repárelo o reemplácelo de inmediato.
- Si las pinzas de puesta a tierra no están conectadas a la pieza de trabajo, aíslela para evitar el contacto con cualquier objeto metálico.
- Asegúrese de que la conexión a tierra de la línea eléctrica se realice correctamente.
- No use la salida de soldadura de CA en áreas mojadas, húmedas o congestionadas y donde haya peligro de caída.
- Use la salida de CA solo cuando sea necesario para el proceso de soldadura.
- Cuando se requiera salida de CA, use la unidad de control remoto si está disponible en su máquina.

cuando exista una de las siguientes situaciones eléctricamente peligrosas, tome precauciones de seguridad adicionales;

- Cuando esté en lugares húmedos o con ropa mojada,
- Cuando se encuentre en pisos de metal, estructuras de rejilla o andamios,
- Cuando esté en posiciones estrechas, como sentarse, arrodillarse o acostarse,
- Cuando el riesgo de contacto con la pieza o el suelo sea alto o inevitable.

Se pueden utilizar los siguientes equipos:

- Máquina de soldadura MIG de tensión constante (CV) CC semiautomática,
- Máquina de soldadura MMA manual de CC,
- Máquina de soldar CC o CA con bajo tensión de circuito abierto (VRD), si corresponde.

Cosas que hacer en caso de descarga eléctrica



- Apague la eléctrica.
- Utilice materiales no conductores, como madera seca, para liberar a la víctima de la descarga eléctrica de cables o piezas con corriente.
- Llame a los servicios de emergencia.

Si tiene formación en primeros auxilios;

- Si la víctima no respira, realice la RCP inmediatamente después de perder el contacto con la fuente eléctrica. Continúe con la RCP hasta que comience a respirar o llegue la ayuda.
- Utilícelo según las indicaciones cuando haya disponible un desfibrilador electrónico automático (DEA).
- Trate una quemadura eléctrica, por ej. una quemadura térmica, por medio de compresa fría. Prevenga la infección y cubra con un paño limpio y seco.

Las piezas móviles pueden causar lesiones



- Manténgase alejado de los objetos en movimiento.
- Mantenga todas las cubiertas, paneles, puertas, etc. de la máquina y los dispositivos cerrados y bloqueados.
- Use zapatos con punta de metal con el fin de evitar la posibilidad de que se caigan objetos pesados.

El humo y los gases pueden ser perjudiciales para la salud



Es muy peligroso respirar el humo y el gas que se liberan durante la soldadura y el corte durante mucho tiempo.

- Sensaciones de ardor e irritación en ojos, nariz y garganta señalan una ventilación insuficiente. En tal caso, aumente inmediatamente la ventilación; si el problema persiste, pare de soldar/cortar.
- Cree un sistema de ventilación natural o artificial en el área de trabajo.
- Utilice un sistema de extracción de humos adecuado en los puntos de soldadura/corte. Si es necesario, instale un sistema que pueda expulsar los humos y gases acumulados en todo el taller. Durante la descarga, utilice un sistema de filtración adecuado para evitar contaminar el medio ambiente.
- En espacios confinados o soldando plomo, berilio, cadmio, zinc, materiales revestidos o pintados, además de las precauciones anteriores, use respiradores que proporcionen aire fresco.
- Si los cilindros de gas están agrupados en un área separado, asegure una buena ventilación de estas áreas, mantenga las válvulas principales cerradas cuando los cilindros de gas no estén en uso, preste atención a las fugas de gas.
- Los gases protectores como el argón son más densos que el aire y existe la posibilidad de inhalarlos en lugar de aire en espacios confinados.

- No realice operaciones de soldadura/corte en presencia de vapores de hidrocarburos clorados liberados durante los procesos de lubricación o pintura.
- Algunas piezas soldadas/cortadas requieren ventilación particular. Se deben leer con atención las normas de seguridad de los productos que requieran una ventilación particular. En los casos en que se requiera, se debe usar una máscara antigás adecuada.

Las salpicaduras y la luz del arco pueden dañar los ojos y la piel



- Use una máscara protectora estándar y un filtro de vidrio adecuado para proteger sus ojos y su cara.
- Proteja demás partes expuestas de su cuerpo (brazos, cuello, orejas, etc.) de salpicaduras y rayos de arco con ropa protectora adecuada.
- Rodee su área de trabajo con pantallas a prueba de llamas más altas que el nivel de los ojos y cuelgue carteles de advertencia para que las personas a su alrededor no sufran daños por los rayos del arco y los metales calientes.
- No se utiliza para calentar tuberías heladas. Operar con una máquina de soldar/cortar provocará una explosión, un incendio o daños en su instalación.

Las chispas y las piezas que salpican pueden dañar sus ojos



- Operaciones como soldadura/corte, esmerilado de superficies, cepillado provocan chispas y salpicaduras de partículas metálicas. Para evitar posibles lesiones, use gafas de seguridad aprobadas con protectores laterales debajo de la máscara protectora.

Las piezas calientes pueden causar quemaduras graves



- No toque las piezas calientes con las manos desprotegidas.
- Antes de trabajar en las piezas de la máquina deje que se enfríen.
- Cuando necesite manipular piezas calientes, utilice herramientas adecuadas, guantes de soldadura/corte con alto aislamiento térmico y ropa ignífuga.

El ruido puede dañar su audición



- El ruido generado por algunos equipos y procesos puede afectar su audición.
- Si el nivel de ruido es alto, use protectores auditivos aprobados.

El alambre de soldadura puede causar lesiones



- No apunte el soplete a ninguna parte del cuerpo, a otras personas ni a ningún metal mientras desenrolla el alambre de soldadura.
- Cuando desenrolle manualmente el alambre de soldadura, el alambre delgado puede saltar de su mano como un resorte y dañar a usted o a otras personas a su alrededor. Al hacer esto, protéjase los ojos y la cara.

La soldadura/corte puede provocar incendios y explosiones



- Nunca suelde/corte cerca de materiales inflamables. Puede haber incendio o explosiones.
- Antes de comenzar el proceso de soldadura/corte, retire estos materiales del ambiente o cúbralos con fundas protectoras para evitar que se quemen y escalden.
- En estas áreas se aplican normas particulares nacionales e internacionales.

- No suelde/corte tubos o tuberías completamente cerrados.
- Antes de soldar/cortar tubos y recipientes cerrados, ábralos, vacíelos completamente, ventílelos y límpielos. Tenga el mayor cuidado posible cuando suelde/corte en tales lugares.
- No suelde/corte tubos o tuberías que contengan sustancias que puedan causar explosión, incendio u otras reacciones, incluso si están vacíos.
- Se producen altas temperaturas durante el proceso de soldadura/corte. ¡Debido a esto, no se debe colocar sobre superficies inflamables o dañadas.

- Las chispas y salpicaduras pueden provocar un incendio. Mantenga materiales como tubos de extintores, agua y arena al alcance de la mano.
- Utilice válvulas de retención, reguladores de gas y válvulas en circuitos de gases inflamables, explosivos y válvulas de gas. Asegúrese de que se revisen periódicamente y de que funcionen de una manera correcta.

El mantenimiento de maquinaria y la tensión por parte de personas no autorizadas puede causar lesiones



- Los dispositivos eléctricos no deben ser reparados por personas no autorizadas. Los errores cometidos aquí pueden provocar lesiones graves o la muerte durante el uso.
- Los elementos del circuito de gas funcionan bajo presión; los servicios por personas no autorizadas pueden resultar con explosiones y lesiones graves de los usuarios.
- Se recomienda realizar el mantenimiento técnico de la máquina y sus periféricos al menos una vez al año.

Soldadura/Corte en Espacios Confinados de Pequeño Volumen



- Asegúrese de realizar operaciones de soldadura/corte con otra persona en pequeños volúmenes y áreas cerradas.
- Evite en la medida de lo posible las operaciones de soldadura/corte en lugares tan cerrados.

No tomar las precauciones requeridas durante el transporte puede causar accidentes



- Tome todas las precauciones requeridas durante el transporte de la máquina. Las áreas a transportar, las partes que se utilizarán en el transporte y las condiciones físicas y de salud de la persona que realizará el transporte deben ser adecuadas para el proceso de transporte.
- Algunas máquinas son extremadamente pesadas, por lo que al trasladarlas se debe asegurarse de que se toman las precauciones de seguridad ambiental requeridas.
- Si la máquina se utilizará en una plataforma, se debe verificar que ésta soporta los límites de carga adecuados.
- En caso de transportar con el medio de un vehículo (carro de transporte, carretilla elevadora, etc.), asegúrese de que el vehículo y los puntos de conexión que conectan la máquina a eso (gancho de transporte, correa, tornillo, tuerca, rueda, etc.) están intactos.
- Si se va a realizar un transporte manual, asegúrese de que los la tensiones de la máquina (correa de transporte, cinturón, etc.) y las conexiones estén intactos.
- Para garantizar las condiciones de transporte necesarias, respetad las normas de la Organización Internacional del Trabajo relativas al peso de transporte y las normas de transporte de su país.
- Utilice siempre las asas o las agarraderas de transporte en el momento de reubicar la fuente de alimentación. Nunca tire de sopletes, cables o mangueras. Lleve siempre los cilindros de gas por separado.
- Antes de transportar el equipo de soldadura/corte, retire todas las interconexiones, levante y transporte las pequeñas por sus asas, las más grandes por las agarraderas de transporte o utilizando equipos de elevación adecuados, como carretillas elevadoras.

Las piezas que caen pueden causar lesiones



La colocación incorrecta de la fuente de alimentación u otro equipo puede provocar lesiones graves a las personas y daños materiales a otros objetos.

- Coloque su máquina sobre pisos y plataformas con una pendiente máxima de 10° para que no se caiga ni vuelque. Prefiera áreas libres de polvo, bien ventiladas, anchas, inmóviles, en los que no interferirá con el flujo de material, no se producirá el riesgo de engancharse en cables y mangueras. Para evitar que las botellas de gas vuelquen, fijelas a la plataforma en máquinas con plataforma de gas adecuada para la botella, y a la pared con una cadena para que no vuelquen en usos estacionarios.
- Proporcione a los operarios un fácil acceso a las configuraciones y conexiones en la máquina.

El uso excesivo provoca el sobrecalentamiento de la máquina



- Deje que la máquina se enfríe de acuerdo con los ciclos de trabajo.
- Disminuya la relación del ciclo de trabajo o corriente antes de comenzar a soldar/cortar nuevamente.
- No bloquee las aberturas de ventilación de la máquina.
- No coloque filtros en las entradas de ventilación de la máquina sin la aprobación del fabricante.

La soldadura por arco puede causar interferencias electromagnéticas



- Este dispositivo es del grupo 55011 clase A en las pruebas de EMC según la norma TS EN 2,
- Este dispositivo de clase A no está diseñado para usarse en áreas residenciales donde la energía eléctrica proviene de una red de bajo tensión. En tales lugares, puede haber dificultades potenciales para garantizar la compatibilidad electromagnética debido a la interferencia de radiofrecuencia transmitida y radiada.



Este dispositivoV no cumple con IEC 61000 -3 - 12 Si se desea conectarse a la red de baja tensión que se utiliza en el hogar, el instalador que realizará la conexión eléctrica o la persona que utilizará la máquina debe tener conocimiento de la conectividad de la máquina, en este caso es bajo la responsabilidad del usuario .ir.

- Asegúrese de que el área de operación cumpla con la compatibilidad electromagnética (EMC). Las interferencias electromagnéticas que pueden ocurrir durante el proceso de soldadura/corte pueden causar efectos no deseados en sus dispositivos electrónicos y en su red. Cualquier efecto causado por estas interferencias durante el funcionamiento es bajo la responsabilidad del usuario.
- En caso de alguna interferencia, para garantizar el cumplimiento; se pueden tomar medidas adicionales, como usar cables cortos, usar cables blindados, reubicar la máquina, quitar cables del dispositivo y/o área afectada, usar un filtro o proteger el área de trabajo en términos de EMC.
- Realice sus operaciones de soldadura/corte lo más lejos posible (100 m) de sus dispositivos electrónicos sensibles para evitar posibles daños EMC.
- Asegúrese de que su máquina esté instalada y colocada de acuerdo con el manual de instrucciones.

Evaluación de la Compatibilidad Electromagnética del Área de Estudio Según IEC 60974-9 cláusula 5.2

Evaluación de la Compatibilidad Electromagnética del Área de Estudio



Antes de instalar equipos de soldadura/corte, el operario y/o el usuario deben realizar una investigación de posibles interferencias electromagnéticas en el entorno. Deben tenerse en cuenta las siguientes situaciones:

- Otros cables de alimentación, cables de control, cables de señal y telefónicos arriba, abajo y junto a la máquina de soldar/cortar y sus equipos;
- Transmisores y receptores de radio y televisión;
- Ordenadores y otros equipos de control;
- Equipos críticos de seguridad, por ejemplo, la protección de equipos industriales;
- la tensiones médicos de personas cercanas, por ejemplo, marcapasos y audífonos;
- Equipos utilizados para la medición o calibración;
- Inmunidad de otro equipo en el entorno. El usuario debe asegurarse de que otros equipos que se utilicen en el entorno sean compatibles. Esto puede requerir medidas de protección suplementarias,
- Los límites del área de estudio se pueden ampliar de acuerdo con el tamaño del entorno, la estructura del edificio y otras actividades que se llevan a cabo en el edificio, teniendo en cuenta el tiempo de la operación de soldadura/corte a lo largo del día.

Además de la evaluación del área, también puede exigirse la evaluación de las instalaciones del dispositivo para resolver el solapamiento. Cuando sea necesario, las mediciones in situ también se pueden utilizar con el fin de confirmar la eficiencia de las medidas de mitigación.

(Fuente: IEC 60974-9).

Métodos de reducción de ruidoV



- El dispositivo debe ser conectado a la red eléctrica según las recomendaciones y por una persona autorizada. En caso de interferencias, se pueden aplicar medidas adicionales, como filtrar la red. El suministro de equipos de soldadura por arco montados permanentemente debe ser a través de un conducto metálico o un cable blindado equivalente. El blindaje y la carcasa de la fuente de alimentación deben estar conectados y se debe mantener un buen contacto eléctrico entre las dos estructuras.
- Se debe realizar el mantenimiento periódico recomendado del dispositivo. Todas las escotillas deben estar cerradas y/o bloqueadas cuando el la tensión está en uso. No se pueden realizar cambios o modificaciones en el dispositivo que no sean sus configuraciones estándar; sin la aprobación por escrito del fabricante. En caso contrario, el usuario será responsable de toda la consecuencia que pudiera derivarse.
- Los cables de soldadura/corte deben mantenerse lo más cortos posible. Deben correr uno al lado del otro desde el piso del área de trabajo. Los cables de soldadura/corte no deben enrollarse.
- Se forma un campo magnético en la máquina durante la soldadura/corte. Esto puede hacer que la máquina tire de las piezas de metal sobre sí misma. Para evitar este disparo, asegúrese de que los materiales metálicos estén a una distancia segura o fijos. El operario debe estar aislado de todos estos materiales metálicos interconectados.
- En los casos en que la pieza de trabajo no esté conectada a tierra por motivos de seguridad eléctrica o debido a su tamaño y posición (p. ej., casco de barco o fabricación de construcciones de acero), una conexión entre la pieza de trabajo y tierra puede reducir las emisiones en algunos casos. Debe tenerse en cuenta que conectar a tierra la pieza de trabajo puede causar lesiones a los usuarios o el mal funcionamiento de otros equipos eléctricos en el entorno. Cuando sea necesario, la conexión a tierra y la pieza de trabajo se pueden realizar como una conexión directa, pero en algunos países donde la conexión directa no está permitida, la conexión se puede establecer utilizando elementos de capacidad adecuados de acuerdo con las normas y reglamentos locales.
- El blindaje y la protección de otros dispositivos y cables en el área de trabajo pueden evitar efectos disruptivos. Se puede considerar el blindaje de toda la zona de soldadura/corte para algunas aplicaciones específicas.

Campo electromagnético (CEM)

La corriente eléctrica que pasa a través de cualquier conductor crea campos eléctricos y magnéticos (CEM) locales.

Los operarios deben seguir los procedimientos a continuación con el fin de minimizar el riesgo que representa la exposición a CEM;

- Los cables de soldadura/corte deben juntarse y asegurarse con materiales de unión (cinta, bridas, etc.) tanto como sea posible, para reducir el campo magnético.
- El cuerpo y la cabeza del operario deben mantenerse lo más alejados posible de las máquinas de soldar/cortar y los cables;
- Los cables de soldadura/corte y eléctricos no deben enrollarse alrededor del cuerpo;
- El cuerpo no debe quedar atrapado entre los cables de soldadura/corte. Los cables de soldadura/corte deben mantenerse alejados del cuerpo, ambos uno al lado del otro;
- El cable de retorno debe conectarse a la pieza de trabajo lo más cerca posible del área de soldadura / corte;
- No debe apoyarse en la unidad de potencia, no debe sentirse ni trabajar muy cerca de esa;
- No se debe soldar/cortar mientras se transporta la unidad de potencia o el alimentador de alambre.

Los CEM también pueden afectar el funcionamiento de los implantes médicos (material implantado) como los marcapasos. Se deben tomar medidas de protección para las personas con implantes médicos. Por ejemplo, se puede restringir el acceso a los transeúntes o se pueden realizar evaluaciones de riesgo individuales para los operarios. Un profesional médico debe realizar una evaluación de riesgos y una recomendación para los usuarios con implantes médicos..

ES

- Protección** • No exponga la máquina a la lluvia, salpicaduras de agua o vapor a presión.

**Eficiencia Energética**

- Prefiera el método y la máquina adecuados para el proceso de soldadura/corte.
- Seleccione la corriente y/o tensión adecuado para el material y espesor que de soldadura/corte.
- Si el período de inactividad será largo, deje que el ventilador enfríe la máquina y apague. Las máquinas con control inteligente de ventiladores se detendrán automáticamente.

Procedimiento de Residuos

- Este dispositivo no es basura doméstica. Debe estar dirigido al reciclaje según la legislación nacional con la directiva de la Unión Europea.
- Obtenga información de su distribuidor y personas autorizadas sobre la gestión de residuos de su máquina.

FORMULARIO DE GARANTÍA

Para obtener el formulario de garantía, visite nuestro sitio web
www.magmaweld.com/warranty-form/wr.

INFORMACIÓN TÉCNICA

1.1 Descripciones generales

ID 65 PX e ID 65 P son máquinas de corte por plasma de alto rendimiento diseñadas para aplicaciones de corte y ranurado.. Tiene un diseño compacto, ligero y portátil. Ofrece un excelente rendimiento de corte y ranurado.. En el modelo ID 65 PX, la presión de gas requerida durante el corte se ajusta automáticamente según el modo de corte y la antorcha utilizada.. En el modelo ID 65 P, se debe ajustar manualmente la presión de gas requerida.

1.2 Componentes de la máquina

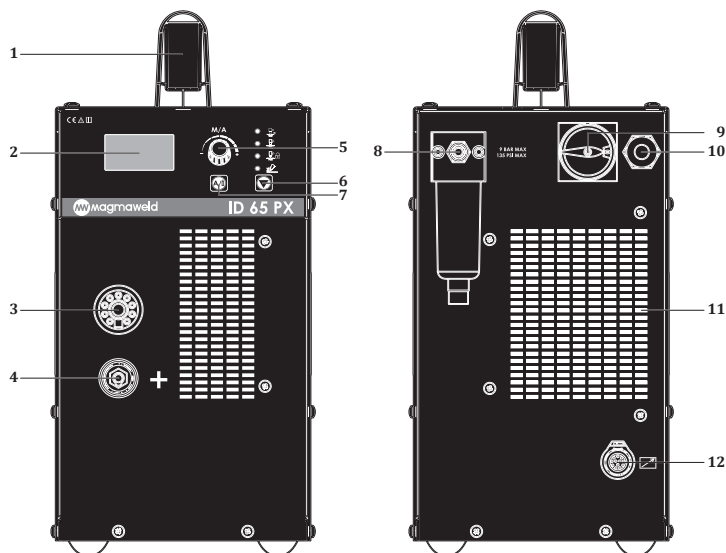


Figura 1 : Vista frontal y trasera del ID 65 PX

- | | |
|---|--|
| 1- Asa | 7- Botón de selección de corriente/gas |
| 2- Pantalla digital | 8- Filtro de aire |
| 3- Conector antorcha | 9- Interruptor de encendido/apagado |
| 4- Conexión a tierra (+) | 10- Conexión de alimentación |
| 5- Potenciómetro | 11- Ventilador |
| 6- Botón de selección del modo de corte | 12- Conector de control remoto |

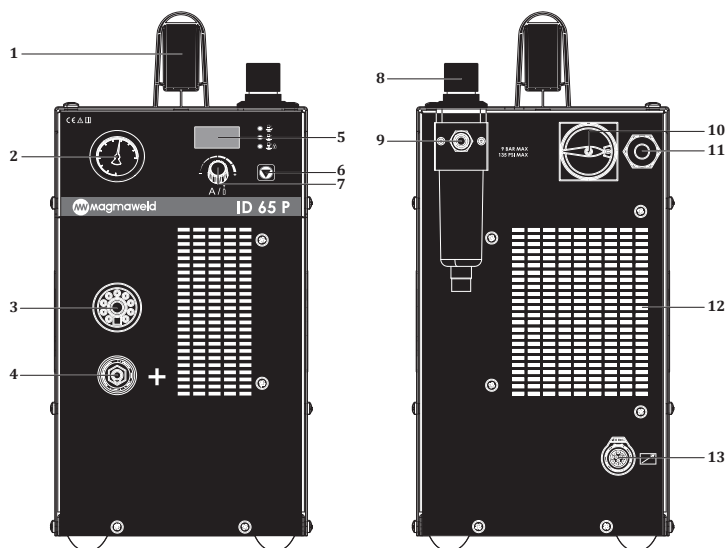







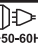
Figura 2 : Vista frontal y trasera del ID 65 P

- | | |
|---|--|
| 1- Asa | 8- Potenciómetro de ajuste de presión de gas |
| 2- Manómetro manual de presión de gas | 9- Filtro de aire |
| 3- Conector antorcha | 10- Interruptor de encendido/apagado |
| 4- Conexión a tierra (+) | 11- Conexión de alimentación |
| 5- Pantalla digital | 12- Ventilador |
| 6- Botón de selección del modo de corte | 13- Conector de control remoto |
| 7- Potenciómetro | |

ES

1.3 Etiqueta del producto

MAGMA MEKATRONİK MAKİNE SAN. VE TİC. A.Ş. Organize Sanayi Bölgesi 5.Kısım Manisa-TÜRKİYE				
ID 65 PX		S/N:		
		EN 60974-1/-10 Cl. A		
	20A / 88V - 65A / 106V			
S	$X^{(40^{\circ}\text{C})}$	50%	60%	100%
	I_2	65A	59A	46A
	U_2	106V	103.7V	98.4V
	$U_i=400\text{V}$	$I_{1\text{max}} = 17.8\text{A}$	$I_{1\text{eff}} = 12.61\text{A}$	
IP21S		CE	EAC	UK CA

MAGMA MEKATRONİK MAKİNE SAN. VE TİC. A.Ş. Organize Sanayi Bölgesi 5.Kısım Manisa-TÜRKİYE				
ID 65 P		S/N:		
		EN 60974-1/-10 Cl. A		
	20A / 88V - 65A / 106V			
S	$X^{(40^{\circ}\text{C})}$	50%	60%	100%
	I_2	65A	59A	46A
	U_2	106V	103.7V	98.4V
	$U_i=400\text{V}$	$I_{1\text{max}} = 17.8\text{A}$	$I_{1\text{eff}} = 12.61\text{A}$	
IP21S		CE	EAC	UK CA

 Rectificador de transformador trifásico

 Característica vertical

 Corriente directa

 Corte por plasma

 Entrada de red-3 fase de corriente alterna

 Adecuado para trabajar en entornos peligrosos

X Ciclo de trabajo

U_0 Tensión de funcionamiento inactivo

U_1 Tensión y frecuencia de red

U_2 Tensión de fuente nominal

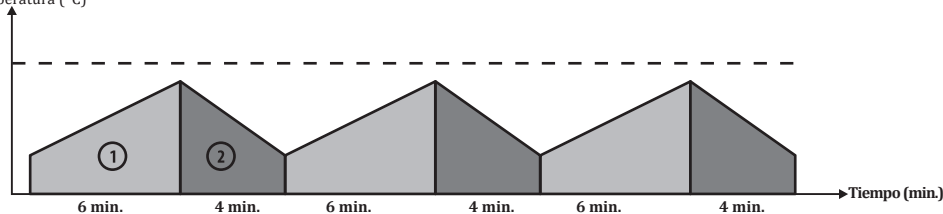
I_1 Corriente nominal extraída de la red

I_2 Corriente de soldadura nominal

S_1 Potencia extraída de la red eléctrica

IP21 Clase de Protección

Ciclo de trabajo
Temperatura ($^{\circ}\text{C}$)



Tal como se define en la norma EN 60974-1 el ciclo de trabajo incluye un período de 10 minutos. Por ejemplo, si se desea operar a 100A en una máquina especificada como %60A / 100A, la máquina puede cortar sin parar en los primeros 10 minutos del tiempo de 6 minutos (zona 1).. No obstante, la máquina debe dejarse inactiva durante los siguientes 4 minutos para que se enfríe (zona 2)..

1.4 Especificaciones técnicas

ESPECIFICACIONES TÉCNICAS	UNIDAD	ID 65 PX	ID 65 P
Tensión de red (trifásica - 3 Hz)	V	400	400
Potencia extraída de la red eléctrica	kVA	12,3	12,3
Rango de configuración corriente	ADC	20 - 65	20 - 65
Corriente nominal	ADC	65	65
Abra el circuito de tensión	VDC	270	270
Espesor de corte recomendado (todos los metales)	mm	22 (500 mm/min.)	22 (500 mm/min.)
Espesor máximo de corte (todos los metales)	mm	28 (250 mm/min.)	28 (250 mm/min.)
Espesor de rotura (todos los metales)	mm	35 (125 mm/min.)	35 (125 mm/min.)
Ranurado (3,5 mm de profundidad x 6,6 mm de ancho)	kg	5 (En 1 hora)	5 (En 1 hora)
Tamaños (LxAnxAl)	mm	628.1 x 219.3 x 453.7	628.1 x 219.3 x 453.7
Peso	kg	26	26
Clase de Protección		IP21S	IP21S

Las velocidades de corte de la tabla corresponden a los resultados de las pruebas de laboratorio de Magmaweld. Pueden variar según las diferentes aplicaciones de corte y las condiciones ambientales.

1.5 Accesorios

ACCESORIOS ESTÁNDAR	CANTIDAD	CÓDIGO DE PRODUCTO
Alicates y cable de puesta a tierra	1	K301100343
Antorcha (Manual) *	1	7142H10506
Antorcha (Mecanizada) *	1	7142M10512

* Debe especificarse al realizar el pedido.

INSTALACIÓN

2.1 Consideraciones al recibir

Asegúrese de que hayan llegado todos los materiales pedidos. Si falta algún material o está dañado, comuníquese con el punto de venta de inmediato.

La caja estándar debe contener;

- La máquina principal y cable de red conectado a esa
- Antorchas y consumibles
- Alicates y cable de puesta a tierra
- Certificado de garantía
- Manual de usuario

En caso de entrega dañada, lleve un registro, tome una fotografía del daño y notifique a la compañía de envío con una fotocopia de la hoja de ruta. En el caso de que el problema persista, póngase en contacto con el servicio de atención al cliente.

Símbolos en el dispositivo y sus significados;



El corte/soldadura por plasma es peligroso. Deben proporcionarse condiciones de trabajo apropiadas y deben tomarse las medidas necesarias. Los expertos son responsables de la máquina y deben proporcionar el equipo requerido. Las personas no relacionadas deben mantenerse alejadas del área de trabajo.



Este dispositivo no cumple con IEC 61000-3-12 Si se desea conectarse a la red de baja tensión que se utiliza en el hogar; el instalador que realizará la conexión eléctrica o la persona que utilizará la máquina debe tener conocimiento de la conectividad de la máquina, en este caso es bajo la responsabilidad del usuario.



Se debe prestar atención a los símbolos de seguridad y las notas de advertencia en el dispositivo y en el manual del usuario, y no se deben quitar las etiquetas.



Las parrillas son para la ventilación. Para garantizar un buen enfriamiento, las aberturas no deben cubrirse y no se deben insertar objetos.

2.2 Recomendaciones de instalación y funcionamiento

- Para mover la máquina se deben utilizar anillas de elevación o carretillas elevadoras. No levante la máquina con la bombona de gas. Cuando se transporten manualmente máquinas de soldar portátiles, se debe actuar de acuerdo con las normas de Seguridad y Salud Ocupacional. Se deben tomar las medidas necesarias en el lugar de trabajo para garantizar que el proceso de transporte se lleve a cabo de acuerdo con las condiciones de salud y seguridad en la medida de lo posible. Se deben tomar precauciones de acuerdo con las características del entorno de trabajo y los requisitos del puesto. Coloque la máquina sobre una superficie dura, nivelada y lisa donde no se caiga ni se vuelque.
- En los casos en que la temperatura ambiente supere los 40 °C, opere la máquina a una corriente más baja o a una velocidad de ciclo más alta.
- Evite cortar plasma cuando haya viento y lluvia al aire libre. Si se debe realizar el corte por plasma en tales casos, proteja el área de la operación y la máquina de corte por plasma con una cortina resistente al fuego y un toldon.
- Al colocar la máquina, asegúrese de que los materiales como paredes, cortinas y paneles no interfieran con el fácil acceso a los controles y conexiones de la máquina.
- Si está cortando plasma en el interior, utilice un sistema de extracción de humo adecuado. El proceso de corte por plasma provoca la liberación de polvo de piezas cortadas, humo y gases que son perjudiciales para la salud. Si existe el riesgo de inhalar humo, polvo y gas en espacios cerrados, use la tensión de respiración.
- Cumplase con las tasas de ciclo de operación indicadas en la etiqueta. La superación frecuente de las tasas del ciclo de funcionamiento puede dañar la máquina, lo que puede anular la garantía.
- Se debe utilizar un cable de alimentación adecuado para el valor de seguro especificado.
- El suministro de energía debe estar conectado a tierra de acuerdo con la legislación eléctrica local y nacional.
- Asegúrese de que las conexiones de suministro de gas se realizan correctamente. Si la fuente de gas está comprimida en el cilindro, fije el cilindro de gas para que no se caiga.

2.3 Conexión del enchufe eléctrico



Por motivos de seguridad, nunca utilice el cable de alimentación de la máquina sin enchufe. Resgarse el equipo con fusibles retardados apropiados para el sistema y un botón de emergencia para apagar rápidamente la energía entrante en caso de emergencia.

- Utilice el cable de chasis adecuado para su fuente de alimentación. Empuje el conector del chasis en la ranura de la fuente de alimentación y colóquelo en la ranura, asegurándose de que la conexión esté bien apretada.
- Las operaciones de conexión eléctrica deben ser realizadas por un electricista autorizado según la legislación local y nacional.

2.4 Conexión de red



Al enchufar el enchufe, asegúrese de que el interruptor de encendido/apagado de la máquina esté en la posición "0".

- Compruebe las 3 fases con un voltímetro antes de conectar la máquina a la red eléctrica. Una vez que haya determinado que cada fase es correcta, enchufe la toma de corriente.
- Arranque la máquina con el interruptor de encendido/apagado.
- Después de ver el símbolo MW en la pantalla, la máquina está lista para arrancar. (ID 65 PX)
- Apague la máquina moviendo el interruptor de nuevo a la posición "0".

2.5 Conexiones para corte por plasma



Se debe tener cuidado al cortar, se debe llevar ropa protectora y guantes adecuados.

2.5.1 Conexiones de gas

- Si la fuente de gas está en el taller o en el cilindro de gas, se debe utilizar un regulador de gas y éste debe ser capaz de suministrar gas a la entrada de aire de la máquina.
- Para los casos en que se utiliza un cilindro de gas, asegure el cilindro de gas para que no se vuelque.
- Para trabajar con seguridad y lograr los mejores resultados, utilice un regulador que cumpla con las normas y asegúrese de que la calidad del suministro de gas cumpla con esas. El rendimiento del corte y la calidad de los consumibles serán afectados por la calidad del suministro de gas.
- Asegúrese de que la protección de la línea de gas de contaminantes como aceite o polvo.
- Mantenga la válvula del cilindro de gas abierta un rato para que se descarguen los sedimentos y partículas.
- Conecte el regulador de gas al cilindro de gas; asegúrese de que la rosca en la salida de gas del cilindro de gas y la tuerca del regulador coincidan.
- Conecte un extremo de la manguera del cilindro al regulador de gas y el otro extremo a la entrada de gas en la parte trasera de la máquina y abra la válvula del cilindro de gas.
- Ajuste el caudal de gas con la válvula reguladora de presión.
- Asegúrese de que no haya fugas en las conexiones.
- Si se excede el límite superior de la presión del gas de entrada, el filtro de aire puede dañarse.

Fuente de gas	Aire o nitrógeno limpio, seco y sin aceite
Caudal/presión de entrada de gas recomendados	Corte: 5,5 l/min a 185 bar. Ranurado: 4,6 l/min a 208 bar.

2.5.2 Conexiones de pinzas de puesta a tierra

- Inserte el enchufe del cable de los alicates de conexión a tierra en el enchufe de conexión a tierra de la máquina y apriételo girándolo hacia la derecha. Asegúrese de que la conexión esté hecha.
- Para mejorar la calidad del corte, sujete firmemente las pinzas de conexión a tierra a la pieza de trabajo lo más cerca posible del local del corte.

- Asegúrese de que haya un buen contacto de metal a metal. Nunca conecte los alicates de conexión a tierra a la parte del metal que cae.



Para garantizar la protección personal, la fuente de alimentación debe estar conectada a tierra de acuerdo con los códigos eléctricos nacionales y locales para reducir la interferencia electromagnética y crear las condiciones de funcionamiento adecuadas.

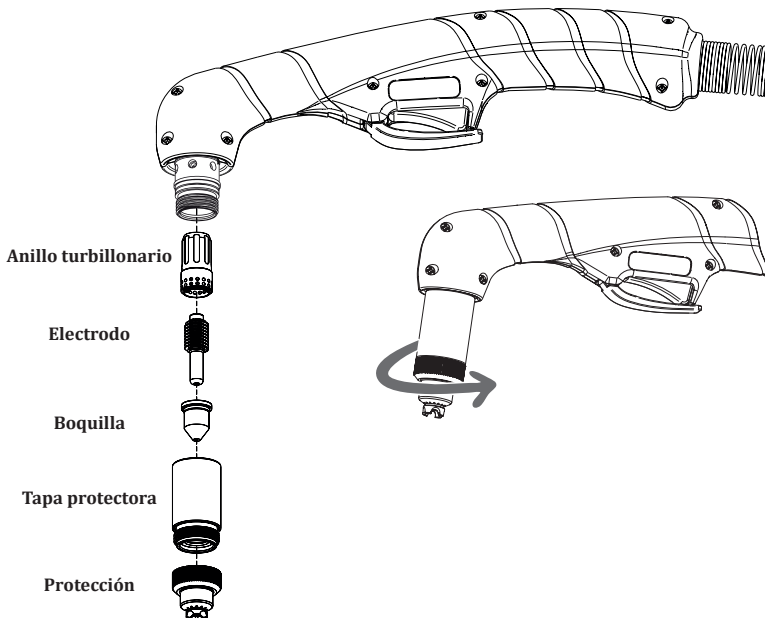
2.5.3 Conexiones de antorcha

- El soplete de corte por plasma de la marca Magmaweld debe usarse de acuerdo con el método de corte que se usará con la fuente de alimentación.
- El soplete manual se usa para el corte manual y el soplete mecanizado se usa para el corte mecanizado.
- Para la conexión de la antorcha, inserte el conector de la antorcha en su ranura en la fuente de alimentación y gírelo hacia la derecha. Asegúrese de que la conexión esté completa.
- Mientras conectar la antorcha, mantenga la fuente de alimentación apagada.
- Véase 5.1 para obtener información detallada sobre las antorchas.



2.6 Ubicación de consumibles

- Los materiales utilizados para los sopletes de corte por plasma manuales y mecanizados son diferentes entre sí.
- En primer lugar, se deben preparar los consumibles de la antorcha.
- Deben seleccionarse los consumibles adecuados al tipo de soplete y el método utilizado.
- Los consumibles deben instalarse en el orden especificado.



- La vida útil de los consumibles depende del material a cortar, el grosor del corte, la longitud del corte, el método de corte, la distancia adecuada al material, la calidad del aire y la frecuencia del chorro. Si la frecuencia de voladura es mayor, el consumible se desgastará más rápidamente.
- Cuando se trabaja con consumibles protegidos, la punta de la antorcha puede tocar el metal que se va a cortar durante el corte. Cuando se trabaja con consumibles sin protección, debe haber una distancia de 2 mm entre la pieza a cortar y la antorcha.
- Ver 5.1 para obtener información detallada sobre los consumibles.



Quando se presiona el gatillo de la antorcha el arco de plasma se crea de inmediato. Asegúrese de que la fuente de alimentación esté apagada en el momento de reemplazar los consumibles de plasma.

2.7 Arco Piloto

En el proceso de corte por plasma se utiliza gas ionizado con alta conductividad eléctrica. En el momento en que se activa el soplete de plasma, se activa la alimentación de CC y en poco tiempo, comienza un rápido flujo de gas dentro del soplete. Esta potencia de CC ioniza el gas en la antorcha y se produce un arco. Este se llama el arco piloto trasero, que se estrecha e intensifica por la antorcha.

El arco piloto es forzado a salir de la boquilla del soplete por los gases a alta velocidad. Cuando entra en contacto con el metal a cortar, se forma la corriente principal y comienza el corte. El proceso de corte continúa moviendo la antorcha.

2.8 Mando remoto

El mando remoto solo estará activo cuando se utilice una antorcha mecanizada. Hay un enchufe para control remoto en la parte posterior de la máquina. Cuando se realiza la conexión necesaria al enchufe en la parte posterior de la fuente de alimentación, proporciona acceso al tensión del arco, y señales para la transferencia del arco y el comienzo del plasma. Ver 5.2 para obtener información detallada sobre el diagrama de cableado de la automatización.

Ajuste del potenciómetro

La fuente de alimentación tiene un potenciómetro de cinco posiciones.

La información de tensión se cambia con la ayuda del potenciómetro. El ajuste de fábrica del potenciómetro es 20:1.

La siguiente tabla muestra la ubicación de los interruptores DIP para el ajuste del potenciómetro.



20:1



20.1:1



30:1



40:1



50:1



: Indica que el interruptor está arriba.

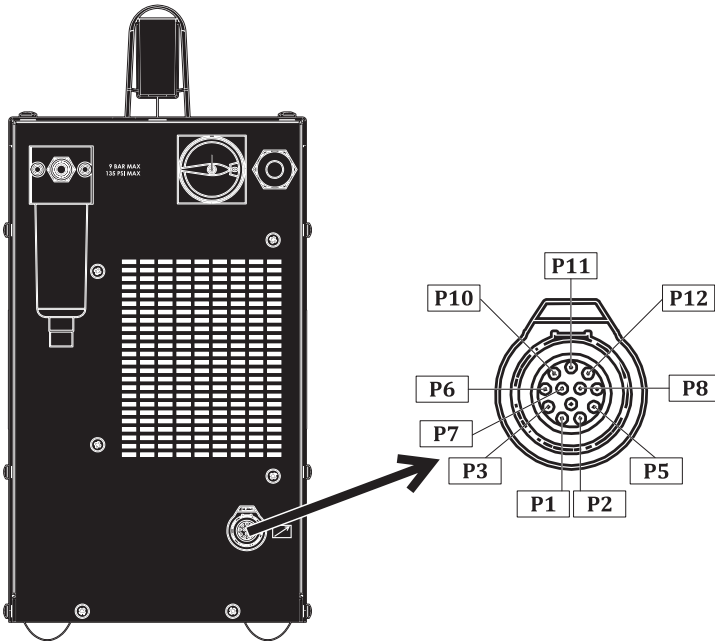
Hay 2 tipos de interfaces de automatización, comunicación digital y analógica, utilizadas por la máquina de corte por plasma ID65 PX. La máquina de corte por plasma ID65 P solo tiene una interfaz de automatización de comunicación analógica.

1) Comunicación Digital

Se incorporan un zócalo y una tarjeta suplementarios a la máquina. Por medio de éstos se realiza la comunicación digital a través de Modbus. Además de la comunicación analógica;

- La corriente de la máquina se puede ajustar de forma remota.
- La corriente de corte y la presión del gas se pueden ajustar de forma remota según los materiales a cortar.
- El cambio de modo de la máquina se puede realizar de forma remota.
- Todos los códigos de error de la máquina se pueden enviar a la interfaz de automatización. De esta manera, se asegura que la máquina se detiene o se advierte al operario.

En la figura siguiente se muestran los enchufes del conector para las señales que se utilizarán a lo largo del cable de interfaz de la máquina. En la tabla hay la información sobre las señales. En los casos en que la fuente de alimentación se vaya a conectar a la máquina CNC o al controlador de altura de la antorcha con el cable de interfaz de la máquina, se debe considerar la siguiente tabla:

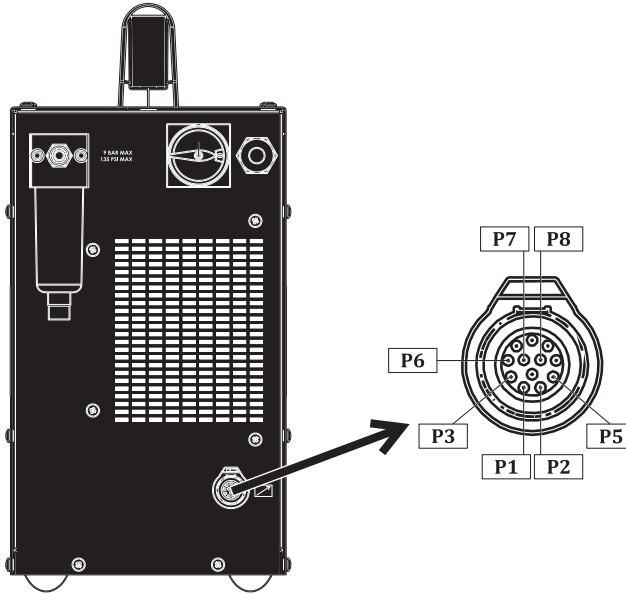


Conexión	Zócalo del conector	Descripción
Iniciar (Gatillo)	P5, P2	Tiene tensión de circuito abierto de 24 VDC. Requiere cierre de contacto seco para activarse.
Confirmación de arco	P1, P3	Contacto normalmente abierto. Cuando se produce el arco de plasma, el contacto cambia al estado cerrado. (Máx.: 220 VCC 2A)
Comunicación	P10 (A) P11 (B) P12 (GND)	ModBus
Potenciómetro	P7 (+) P8 (-)	La máquina adapta la tensión de salida al sistema de control. 20:1, 21.1:1, 30:1, 40:1, 50:1 proporcionan salida dividida.
Tierra	P6	Para la seguridad del equipo, se recomienda conectarlo al punto de puesta a tierra de su sistema.

2) Comunicación analógica

Funciona con estructura de contacto seco. La unidad de automatización envía una advertencia a la máquina de plasma para operar con un contacto seco, el plasma crea un arco piloto. Después de que la máquina de plasma crea un arco piloto, envía una advertencia a la unidad de automatización con su estructura de contacto seco. Cuando la máquina inicia el proceso de corte, informa la tensión del arco de plasma para que la interfaz de automatización pueda ajustar la altura.

En la figura siguiente se muestran los enchufes del conector para las señales que se utilizarán a lo largo del cable de interfaz de la máquina. En la tabla hay la información sobre las señales. En los casos en que la fuente de alimentación se vaya a conectar a la máquina CNC o al controlador de altura de la antorcha con el cable de interfaz de la máquina, se debe considerar la siguiente tabla:



Conexión	Zócalo del conector	Descripción
Iniciar (Gatillo)	P5, P2	Tiene tensión de circuito abierto de 24 VDC. Requiere cierre de contacto seco para activarse.
Confirmación de arco	P1, P3	Contacto normalmente abierto. Cuando se produce el arco de plasma, el contacto cambia al estado cerrado. (Máx.: 220 VCC 2A)
Potenciómetro	P7 (+) P8 (-)	La máquina adapta la tensión de salida al sistema de control. 20:1, 21.1:1, 30:1, 40:1, 50:1 proporcionan salida dividida.
Tierra	P6	Para la seguridad del equipo, se recomienda conectarlo al punto de puesta a tierra de su sistema.

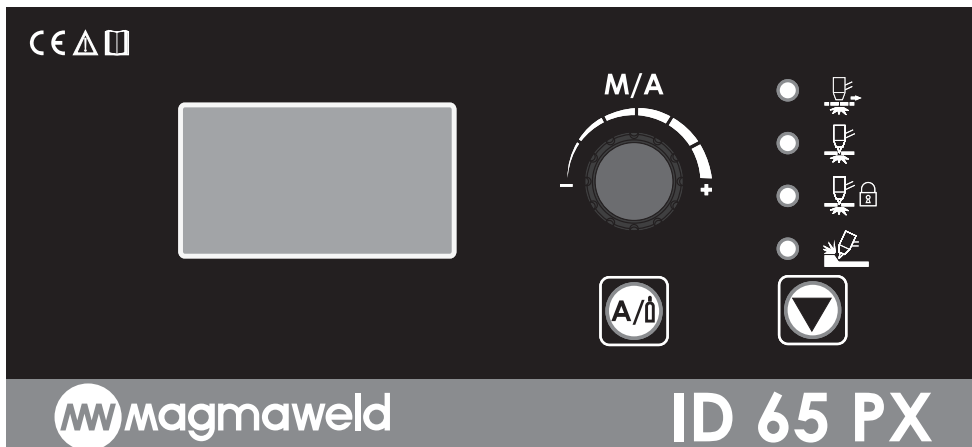


La instalación del cable de interfaz de la máquina y el potenciómetro debe ser realizada por un servicio autorizado.

Cuando no se utilice la cubierta de la ranura de interfaz en la parte posterior de la máquina, debe mantenerse cerrada contra el polvo y la humedad.

INFORMACIÓN DE USO

3.1 Interfaz de usuario



MAGMAWELD

ID 65 PX

Pantalla digital

La corriente de soldadura ajustada, los valores de presión, el gráfico de presión y los códigos de error se pueden monitorear visualmente po medio de la pantalla digital.

Modos de corte

Corte de rejilla

Se utiliza para cortar materiales que consisten en metal y cavidades, como rejillas, respectivamente. Si este modo no se usa cuando se cortan materiales perforados como rejillas, el corte de material comienza cuando comienza el arco piloto, pero el arco piloto termina en el primer espacio que ve. Al llegar a la parte metálica después del hueco, se requiere soltar y presionar nuevamente el gatillo e iniciar el arco piloto para poder continuar cortando. Para eliminar esta carga de trabajo, se ha creado el modo de corte de cuadrícula para usarse en materiales de tipo cuadrícula. En el modo de corte de rejilla, tan pronto como presiona el gatillo de la antorcha, se produce un arco piloto y se corta el material, el piloto corta el arco cuando se alcanza el espacio y activa otra vez el arco piloto cuando llega a la parte del material. Este ciclo continúa hasta que suelta el gatillo. El proceso de corte termina tan pronto como suelta el gatillo.



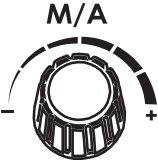

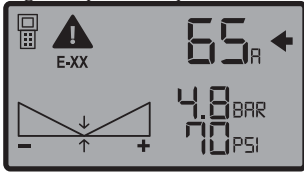










Corte regular

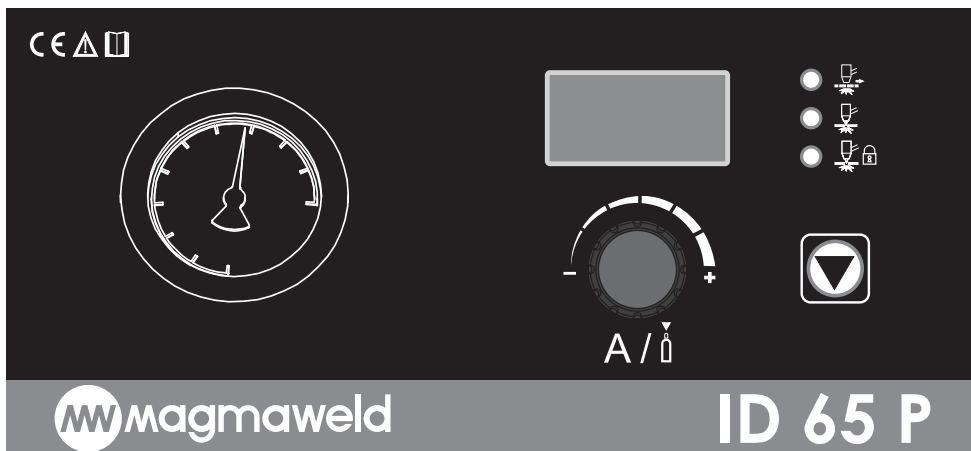
Tan pronto como presiona el gatillo en el modo de corte regular, se produce un arco piloto y comienza el proceso de corte. Incluso si no suelta el gatillo cuando la pieza de trabajo está terminada, el arco se apaga, puede soltar el gatillo. Si suelta el gatillo en el medio del material, el arco se apagará de nuevo. Cuando presiona el gatillo nuevamente para continuar con la operación, el arco piloto reaparece..

Bloqueo del gatillo de la antorcha






En este modo, el arco piloto se produce cuando presiona el gatillo. Después de iniciar el proceso de corte, puede quitar la mano del gatillo y continuar con el proceso de corte. Tan pronto como la pieza de trabajo esté terminada (cuando vea un espacio), el arco piloto se apagará y el modo se desactivará.

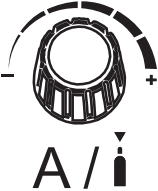





	<p>El modo estará activo cuando vuelva a presionar el gatillo y comience a cortar la pieza de trabajo. Este modo facilita el corte de piezas de trabajo especialmente largas, se puede cortar sin mantener pulsado el dedo en el gatillo.</p>
	<p> Ranurado</p> <p>La máquina ajustará automáticamente el caudal de gas cuando se seleccione el método de ranurado en modo automático. En el método de ranurado, los consumibles de la antorcha deben cambiarse de acuerdo con el método de ranurado. Se produce un arco piloto en el momento de presionar el gatillo. El corte se realiza a lo largo de la pieza de trabajo; tan pronto como la pieza de trabajo está terminada o se ve un espacio, el arco piloto se apaga, así puede soltar el dedo del gatillo.</p>
	<p>Potenciómetro de ajuste (M/A: modo manual/automático)</p> <p>Cuando la máquina está encendida, arranca en modo automático, no se ve ningún gráfico de presión de gas en la pantalla. En modo automático, el potenciómetro de ajuste solo se utiliza para el ajuste de corriente. Al girar el potenciómetro hacia la izquierda y hacia la derecha, el valor de corriente deseado se ajusta dentro de ciertos rangos de tolerancia.</p> <p>En modo automático, la fuente de alimentación ajusta el gas según el tipo y la longitud de la antorcha. Ajusta automáticamente la presión de gas óptima. Ajuste de la presión del gas por fuente de alimentación; proporciona comodidad y evita que los usuarios cometan errores en el ajuste de la presión del gas.</p> <p>Para cambiar a modo manual, se debe presionar una vez el potenciómetro de ajuste; el gráfico de presión de gas se ve en la pantalla. En el modo manual, los ajustes de corriente y presión de gas se realizan con el potenciómetro.</p> <p> Para cambiar a la pestaña de ajuste de corriente o gas se pulsa el botón de selección Corriente/Gas. Cuando llegue a la pestaña actual, se verá una flecha junto a ella. Para ajustar la corriente, el valor de corriente deseado se ajusta dentro de ciertos rangos de tolerancia girando el potenciómetro de ajuste hacia la izquierda y hacia la derecha. Si las flechas están en el medio del gráfico de presión de gas, se establece el valor óptimo sugerido por la máquina.</p> <div data-bbox="266 916 568 1088">  </div> <p> Cuando presione el botón de selección Corriente/Gas y cambie a la pestaña de ajuste de gas, aparecerá una flecha junto a ésta. La fuente de alimentación ajusta automáticamente la presión del gas. Sin embargo, el usuario se ajusta dentro de un cierto rango de tolerancia. Cuando el potenciómetro de ajuste se gira hacia la derecha, la presión del gas aumentará y el gráfico de presión del gas avanzará hacia la derecha. Cuando el potenciómetro de ajuste se gira hacia la izquierda, la presión del gas disminuirá y el gráfico de presión del gas se moverá hacia la izquierda. El ajuste de presión de gas más óptimo de acuerdo con el flujo ajustado es el valor en el medio del gráfico.</p> <div data-bbox="266 1292 568 1465">  </div>

	<p>Gráfico de presión de gas Muestra el valor de la presión del gas gráficamente.</p> <p>Si el gráfico es vacío, se selecciona la presión de gas óptima establecida por la fuente de alimentación. El centro del gráfico muestra la presión de gas óptima (4.8 BAR / 70 PSI). En el ajuste de la presión del gas, si el potenciómetro de ajuste se gira hacia la derecha, la presión del gas aumentará. El área derecha del gráfico comienza a llenarse. El ajuste máximo de presión de gas es de 5.5 BAR (80 PSI).</p>  <p>En el ajuste de la presión del gas, si el potenciómetro de ajuste se gira hacia la izquierda, la presión del gas disminuirá. El área izquierda del gráfico comienza a llenarse. El ajuste mínimo de presión de gas es de 4.4 BAR (64 PSI).</p> 
	<p>Botón de selección de corriente/gas Proporciona cambio a valores de presión de gas y corriente en modo manual. Los ajustes se realizan en estas pestañas con el potenciómetro de ajuste.</p>
	<p>Código de Error Indica el icono y el código de error.</p>
	<p>Conexión remota Indica que la conexión remota está activa</p>



ES

	<p>Pantalla digital La corriente de soldadura ajustada, los valores de presión, el gráfico de presión y los códigos de error se pueden monitorear visualmente po medio de la pantalla digital.</p>
	<p>Modos de corte</p> <p> Corte de rejilla</p> <p>Se utiliza para cortar materiales que consisten en metal y cavidades, como rejillas, respectivamente. Si este modo no se usa cuando se cortan materiales perforados como rejillas, el corte de material comienza cuando comienza el arco piloto, pero el arco piloto termina en el primer espacio que ve. Al llegar a la parte metálica después del hueco, se requiere soltar y presionar nuevamente el gatillo e iniciar el arco piloto para poder continuar cortando. Para eliminar esta carga de trabajo, se ha creado el modo de corte de cuadrícula para usarse en materiales de tipo cuadrícula. En el modo de corte de rejilla, tan pronto como presiona el gatillo de la antorcha, se produce un arco piloto y se corta el material, el piloto corta el arco cuando se alcanza el espacio y activa otra vez el arco piloto cuando llega a la parte del material. Este ciclo continúa hasta que suelta el gatillo. El proceso de corte termina tan pronto como suelta el gatillo.</p> <p> Corte regular</p> <p>Tan pronto como presiona el gatillo en el modo de corte regular, se produce un arco piloto y comienza el proceso de corte. Incluso si no suelta el gatillo cuando la pieza de trabajo está terminada, el arco se apaga, puede soltar el gatillo. Si suelta el gatillo en el medio del material, el arco se apagará de nuevo. Cuando presiona el gatillo nuevamente para continuar con la operación, el arco piloto reaparece..</p> <p> Bloqueo del gatillo de la antorcha</p> <p>En este modo, el arco piloto se produce cuando presiona el gatillo. Después de iniciar el proceso de corte, puede quitar la mano del gatillo y continuar con el proceso de corte. Tan pronto como la pieza de trabajo esté terminada (cuando vea un espacio), el arco piloto se apagará y el modo se desactivará. El modo estará activo cuando vuelva a presionar el gatillo y comience a cortar la pieza de trabajo. Este modo facilita el corte de piezas de trabajo especialmente largas, se puede cortar sin mantener pulsado el dedo en el gatillo.</p>

	<p>Potenciómetro de ajuste </p> <p>A: Ajuste de corriente /  Ajuste de gas</p> <p>Para ajustar la corriente, el valor de corriente deseado se ajusta dentro de ciertos rangos de tolerancia girando el potenciómetro de ajuste hacia la izquierda y hacia la derecha.</p>  <p>Para cambiar al ajuste de gas, se debe presionar el potenciómetro de ajuste una vez. La máquina cambia al modo de gas libre, el manómetro indica  aproximadamente 4.2 bar. Cuando tira de la olla de ajuste de presión de gas en el filtro de aire hacia arriba y la coloca en la posición libre, puede aumentar/disminuir la presión girándola hacia la derecha/izquierda.</p>
	<p>Indicador de Presión</p> <p>Indica la presión dentro de la antorcha.</p>

3.2 Uso de la antorcha

Al cortar, presione el gatillo de la antorcha empujando la tapa protectora en el gatillo de la antorcha hacia adelante. El arco de plasma ocurrirá tan pronto como presione el gatillo de la antorcha. Para hacer un corte uniforme, la punta del soplete debe avanzar lentamente a través del material que se va a cortar. Cuando la antorcha de automatización está conectada, la máquina detecta la antorcha de automatización y espera un disparo desde la interfaz de automatización. Envía los datos requeridos a la interfaz de automatización. Véase 5.1 para obtener información detallada sobre las antorchas.



El gatillo de la antorcha está activo cuando la fuente de alimentación está encendida. Debe asegurarse de que su mano no entre en la ruta de corte. No debe sostener la pieza de trabajo en la mano ni apuntar la antorcha hacia usted ni hacia nadie más.



MANTENIMIENTO Y FALLAS

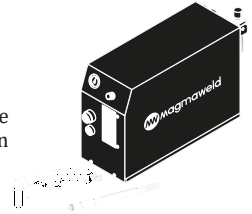
- El mantenimiento y las reparaciones de la máquina deben ser realizados por personas competentes. La compañía no asume responsabilidad de los accidentes que puedan ocurrir como consecuencia de intervenciones de personas no autorizadas.
- Puede obtener las piezas que se utilizarán durante la reparación de nuestros servicios autorizados. El uso de repuestos originales prolongará la vida útil de su máquina y evitará pérdidas de rendimiento..
- Consulte siempre al fabricante oa un centro de servicio autorizado especificado por el fabricante.
- Cualquier interposición no autorizada por el fabricante queda fuera de la garantía.
- Asegúrese de cumplir con las normas de seguridad vigentes durante las operaciones de mantenimiento y reparación.
- Antes de realizar cualquier acción en la máquina para su reparación, desconecte el enchufe de red de la máquina y espere 10 segundos para que se descarguen los condensadores..

4.1 Mantenimiento



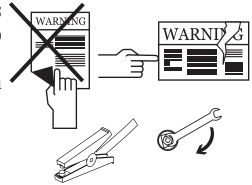
Mantenimiento diario

- Los consumibles de la antorcha deben revisarse periódicamente y reemplazarse si están desgastados o dañados. Asegúrese de que estos materiales sean productos originales para uso a largo plazo y alto rendimiento.



Cada 3 meses

- No retire las etiquetas de advertencia del dispositivo. Reemplace las etiquetas gastadas o rotas por otras nuevas. Puede obtener las etiquetas en el servicio autorizado.
- Verifique los alicates y los cables. Preste atención a las conexiones y la durabilidad de las partes.
- Reemplace las piezas dañadas o defectuosas por nuevas. Nunca agregue/repare cables.
- Asegúrese de que haya suficiente espacio para la ventilación.



Cada 6 meses

- Limpie y apriete las piezas de conexión como pernos y tuercas. Compruebe los cables de las pinzas de puesta a tierra. Abra las cubiertas laterales de la máquina y límpiela con aire seco a baja presión o una herramienta de vacío. No aplique aire comprimido desde una distancia cercana a los componentes electrónicos.
- Asegúrese de que el filtro de aire esté limpio. Si está sucio, reemplácelo por un nuevo.



NOTA: Los períodos mencionados son los períodos máximos que deben aplicarse si su dispositivo no presenta ningún problema.. Puede repetir las operaciones mencionadas con más frecuencia, dependiendo de la intensidad y la contaminación de su entorno de trabajo..



Nunca corte con las puertas de la máquina de corte por plasma abiertas.

4.2 Reparación de averías

Las siguientes tablas contienen las posibles fallas y sus soluciones.

Falla	Causa	Resolución
La maquina no funciona	<ul style="list-style-type: none"> • La conexión eléctrica de la máquina es problemática 	<ul style="list-style-type: none"> • Asegúrese de que la máquina esté conectada a la electricidad • Si el problema persiste, contacte con el servicio autorizado
	<ul style="list-style-type: none"> • Conexiones de red incorrectas 	<ul style="list-style-type: none"> • Compruebe que las conexiones a la red son correctas • Si el problema persiste, contacte con el servicio autorizado
	<ul style="list-style-type: none"> • Fusible de red defectuoso o cable de red dañado 	<ul style="list-style-type: none"> • Compruebe los fusibles de alimentación de red, el cable de red y el enchufe • Si el problema persiste, contacte con el servicio autorizado
	<ul style="list-style-type: none"> • El interruptor de encendido/apagado no funciona correctamente 	<ul style="list-style-type: none"> • Compruebe el interruptor de encendido/apagado • Si el problema persiste, contacte con el servicio autorizado
La máquina funciona pero no corta	<ul style="list-style-type: none"> • La presión y el flujo de aire pueden no ser adecuados 	<ul style="list-style-type: none"> • Compruebe la presión del aire y la calidad del aire. Asegúrese de que la presión y el caudal de aire sean los adecuados, que el aire esté seco y limpio • Si el problema persiste, contacte con el servicio autorizado.
	<ul style="list-style-type: none"> • La tensión de red puede no ser adecuada 	<ul style="list-style-type: none"> • Asegúrese de que la tensión de red que llega a la máquina sea la adecuada • Si el problema persiste, contacte con el servicio autorizado
	<ul style="list-style-type: none"> • Los alicates de puesta a tierra no deben estar sujetos a la pieza de trabajo ni a la máquina 	<ul style="list-style-type: none"> • Asegúrese de que las pinzas de puesta a tierra estén conectadas a la pieza de trabajo ya la máquina. Limpie el área donde los alicates de puesta a tierra hacen contacto con la pieza de trabajo • Asegúrese de que las pinzas de puesta a tierra no estén dañadas. • Si el problema persiste, contacte con el servicio autorizado
	<ul style="list-style-type: none"> • La antorcha y/o los consumibles pueden estar desgastados o dañados 	<ul style="list-style-type: none"> • Asegúrese de que la antorcha y/o los consumibles no estén desgastados o dañados, replácelos si es necesario • Si el problema persiste, contacte con el servicio autorizado

Falla	Causa	Resolución
La máquina funciona pero no corta	<ul style="list-style-type: none"> El arco no se transfiere a la pieza de trabajo 	<ul style="list-style-type: none"> Asegúrese de que la superficie de la pieza de trabajo no esté pintada y limpia Asegúrese de que la antorcha esté a la distancia adecuada de la pieza de trabajo Si el problema persiste, contacte con el servicio autorizado.
	<ul style="list-style-type: none"> La presión y el flujo de aire pueden no ser adecuados, los elementos del filtro de aire pueden estar sucios 	<ul style="list-style-type: none"> Compruebe la presión del aire y la calidad del aire. Asegúrese de que la presión y el caudal de aire sean los adecuados, que el aire esté seco y limpio Si el problema persiste, contacte con el servicio autorizado
	<ul style="list-style-type: none"> La antorcha y/o los consumibles pueden estar desgastados o dañados 	<ul style="list-style-type: none"> Asegúrese de que la antorcha y/o los consumibles no estén desgastados o dañados, reemplácelos si es necesario Si el problema persiste, contacte con el servicio autorizado
	<ul style="list-style-type: none"> La antorcha y/o los consumibles pueden no estar seleccionados o instalados correctamente 	<ul style="list-style-type: none"> Asegúrese de que la antorcha y/o los consumibles se utilicen e instalen de una manera correcta Si el problema persiste, contacte con el servicio autorizado
	<ul style="list-style-type: none"> Es posible que se haya seleccionado incorrectamente el modo de corte 	<ul style="list-style-type: none"> Asegúrese de que el modo de corte sea el correcto Si el problema persiste, contacte con el servicio autorizado
	<ul style="list-style-type: none"> El valor de amperaje utilizado puede haber sido seleccionado incorrectamente 	<ul style="list-style-type: none"> Se debe seleccionar el valor de amperaje adecuado (grosor y tipo de material) para el material que se va a cortar Si el problema persiste, contacte con el servicio autorizado
	<ul style="list-style-type: none"> Es posible que se exceda la velocidad de corte y el espesor adecuado para el rendimiento de la máquina 	<ul style="list-style-type: none"> Asegúrese de que la velocidad de corte y el grosor de corte sean los adecuados Si el problema persiste, contacte con el servicio autorizado
	<ul style="list-style-type: none"> La altura o el ángulo de la antorcha con respecto a la pieza de trabajo pueden ser incorrectos 	<ul style="list-style-type: none"> Asegúrese de que la altura y el ángulo de la antorcha con respecto a la pieza de trabajo sean correctos Si el problema persiste, contacte con el servicio autorizado
	<ul style="list-style-type: none"> La dirección de corte puede ser incorrecta 	<ul style="list-style-type: none"> Asegúrese de que la dirección de corte sea la correcta Si el problema persiste, contacte con el servicio autorizado

4.3 Códigos de error

A continuación se indican todos los códigos de error para todas las máquinas. Tenga en cuenta los códigos de error relacionados con su propia máquina.

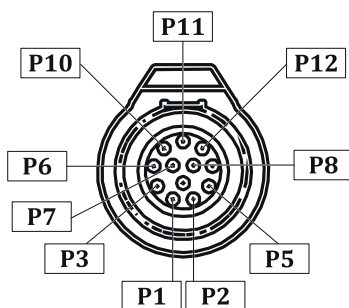
Código de Error	Error	Causa	Resolución
E01	Protección térmica (Primaria)	<ul style="list-style-type: none"> Es posible que se haya excedido el tiempo de actividad de su máquina 	<ul style="list-style-type: none"> Deje que la máquina se enfríe esperando un momento. Si la falla desaparece, trate de usarlo en valores de amperaje más bajos Si el problema persiste, contacte con el servicio autorizado
		<ul style="list-style-type: none"> Es posible que el ventilador no esté funcionando 	<ul style="list-style-type: none"> Compruebe visualmente si el ventilador funciona Si el problema persiste, contacte con el servicio autorizado
		<ul style="list-style-type: none"> La parte delantera de los canales de entrada y salida de aire puede estar bloqueada 	<ul style="list-style-type: none"> Abra los conductos de aire Si el problema persiste, contacte con el servicio autorizado
		<ul style="list-style-type: none"> El ambiente de trabajo de la máquina puede ser muy caluroso o sin ventilación 	<ul style="list-style-type: none"> Asegúrese de que el entorno de trabajo de la máquina no sea muy caluroso ni con poca ventilación Si el problema persiste, contacte con el servicio autorizado
E02	Tensión de red bajo	<ul style="list-style-type: none"> Es posible que haya caído la tensión de red 	<ul style="list-style-type: none"> Compruebe los cables de conexión a la red y la tensión. Asegúrese de que se proporcione la entrada de tensión correcta. Si la tensión de red es normal, contactar con el servicio autorizado
E03	Tensión de red alta	<ul style="list-style-type: none"> La tensión de red puede haber aumentado 	<ul style="list-style-type: none"> Compruebe los cables de conexión a la red y la tensión. Asegúrese de que se proporcione la entrada de voltaje correcta. Si la tensión de red es normal, contactar con el servicio autorizado
E04	Error de lectura de corriente/tensión	<ul style="list-style-type: none"> Puede haber un error de hardware 	<ul style="list-style-type: none"> Póngase en contacto con el servicio autorizado
E05	Error de lectura del sensor de temperatura	<ul style="list-style-type: none"> Puede haber un error de hardware 	<ul style="list-style-type: none"> Póngase en contacto con el servicio autorizado
E06	Error de la unidad de refrigeración por agua	<ul style="list-style-type: none"> Puede haber un error en la unidad de refrigeración por agua 	<ul style="list-style-type: none"> Revise el conector del grupo enfriador de agua y las entradas/salidas de la antorcha Asegúrese de que haya circulación de agua Si el problema persiste, contacte con el servicio autorizado
E07	Error del sistema	<ul style="list-style-type: none"> Puede haber un error de hardware 	<ul style="list-style-type: none"> Póngase en contacto con el servicio autorizado
E08			
E09			
E10	Error de conexión de antorcha	<ul style="list-style-type: none"> La antorcha y las conexiones de la antorcha pueden estar defectuosas 	<ul style="list-style-type: none"> Revise la antorcha y las conexiones de la antorcha Si el problema persiste, contacte con el servicio autorizado

Código de Error	Error	Causa	Resolución
E11	Error del sistema	<ul style="list-style-type: none"> • Puede haber un error de hardware 	<ul style="list-style-type: none"> • Póngase en contacto con el servicio autorizado
E12			
E13	Error del alimentador de alambre	<ul style="list-style-type: none"> • Puede haber un error en la alimentación del alambre 	<ul style="list-style-type: none"> • Verifique las conexiones de la cesta de alambre, el carrete/la prensa de carrete y la antorcha • Si el problema persiste, contacte con el servicio autorizado
E14	Error del sistema	<ul style="list-style-type: none"> • Puede haber un error de hardware 	<ul style="list-style-type: none"> • Póngase en contacto con el servicio autorizado
E15	Error de comunicación del mando remoto	<ul style="list-style-type: none"> • Puede haber un error en las conexiones del mando remoto 	<ul style="list-style-type: none"> • Verifique las conexiones del mando remoto • Si el problema persiste, contacte con el servicio autorizado
E16	Error del sistema	<ul style="list-style-type: none"> • Puede haber un error de hardware 	<ul style="list-style-type: none"> • Póngase en contacto con el servicio autorizado
E17			
E18			
E19	Protección Térmica (Secundario)	<ul style="list-style-type: none"> • Es posible que se haya excedido el tiempo de actividad de su máquina 	<ul style="list-style-type: none"> • Deje que la máquina se enfríe esperando un momento. Si la falla desaparece, trate de usarlo en valores de amperaje más bajos. • Si el problema persiste, contacte con el servicio autorizado
		<ul style="list-style-type: none"> • Es posible que el ventilador no esté funcionando 	<ul style="list-style-type: none"> • Compruebe visualmente si el ventilador funciona. • Si el problema persiste, contacte con el servicio autorizado
		<ul style="list-style-type: none"> • La parte frontal de los canales de entrada - salida de aire puede estar bloqueada 	<ul style="list-style-type: none"> • Abra los conductos de aire • Si el problema persiste, contacte con el servicio autorizado
		<ul style="list-style-type: none"> • El ambiente de trabajo de la máquina puede ser muy caluroso o sin ventilación 	<ul style="list-style-type: none"> • Asegúrese de que el entorno de trabajo de la máquina no sea muy caluroso ni con poca ventilación. • Si el problema persiste, contacte con el servicio autorizado
E20	Error del sistema	<ul style="list-style-type: none"> • Puede haber un error de hardware 	<ul style="list-style-type: none"> • Póngase en contacto con el servicio autorizado
E21			
E22			
E23			
E26	Presión de entrada baja	<ul style="list-style-type: none"> • La presión de entrada puede ser baja 	<ul style="list-style-type: none"> • Verifique sus conexiones de aire/gas, asegúrese de que la presión de entrada sea la adecuada, si la presión de entrada es normal, comuníquese con el servicio autorizado
E27	Carcasa de la antorcha no instalada	<ul style="list-style-type: none"> • Es posible que la protección de la antorcha no ha sido instalado ni asentado bien 	<ul style="list-style-type: none"> • Asegúrese de que el protector de la antorcha esté instalado correctamente • Si el problema persiste, contacte con el servicio autorizado
E28	Error del sistema	<ul style="list-style-type: none"> • Puede haber un error de hardware 	<ul style="list-style-type: none"> • Póngase en contacto con el servicio autorizado

Código de Error	Error	Causa	Resolución
E29	Voltaje de bus de CC bajo	<ul style="list-style-type: none"> Es posible que haya caído la tensión de red 	<ul style="list-style-type: none"> Compruebe los cables de conexión a la red y la tensión. Asegúrese de que se proporcione la entrada de tensión correcta. Si la tensión de red es normal, contactar con el servicio autorizado
E30	Voltaje de bus de CC alto	<ul style="list-style-type: none"> La tensión de red puede haber aumentado 	<ul style="list-style-type: none"> Compruebe los cables de conexión a la red y la tensión. Asegúrese de que se proporcione la entrada de tensión correcta. Si la tensión de red es normal, contactar con el servicio autorizado
E31	Error del sistema	<ul style="list-style-type: none"> Puede haber un error de hardware 	<ul style="list-style-type: none"> Póngase en contacto con el servicio autorizado

ANEXOS

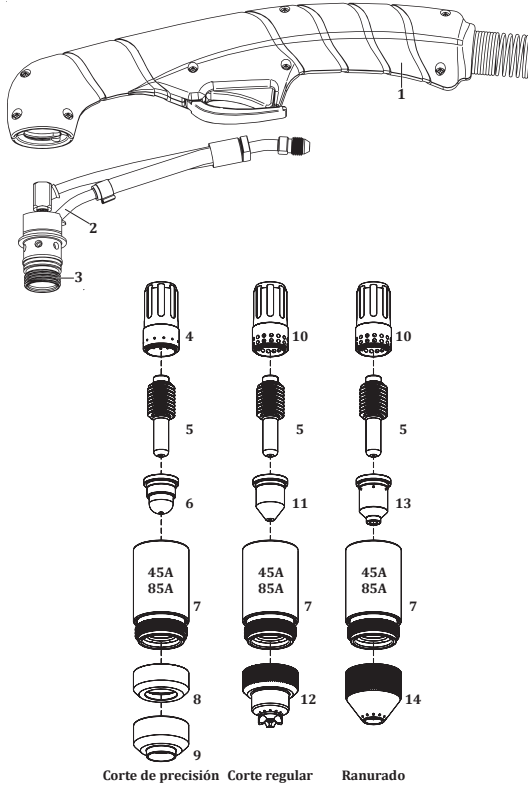
5.1 Diagrama de cableado de automatización de corte por plasma



Vista frontal

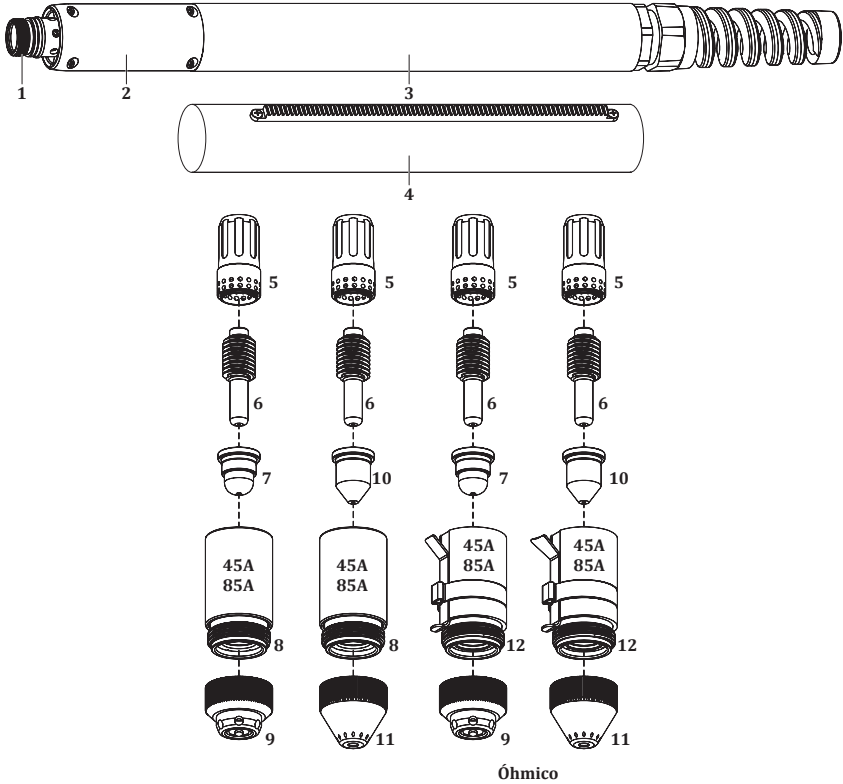
Número PIN	CABLE	CONEXIÓN	DESCRIPCIÓN
1	Amarillo	Confirmación de arco	Contacto normalmente abierto. Cuando se produce el arco de plasma, el contacto cambia al estado cerrado. (Máx.: 220 VCC 2A)
3	Marrón		
2	Verde	Iniciar (Gatillo)	Tiene tensión de circuito abierto de 24 VDC. Requiere cierre de contacto seco para activarse.
5	Blanco		
6	Escudo	Tierra	Para la seguridad del equipo, se recomienda conectarlo al punto de puesta a tierra de su sistema.
7	Rojo	Vo (+)	La máquina adapta la tensión de salida al sistema de control. 20:1, 21.1:1, 30:1, 40:1, 50:1 proporcionan salida dividida.
8	Negro	Vo (-)	
10	Gris	ModBus A	ModBUS-RTU / 19200bps / 8N1 (Esta función solo está disponible para el modelo PCA).
11	Rosa	ModBus B	
12	Azúl	ModBus GND	

5.2 Consumibles y repuestos de la antorcha manual



NÚMERO	DESCRIPCIÓN	CÓDIGO MATERIAL
1	Sujeción de antorcha	Y542000019
2	Cabeza de antorcha	Y542000016
3	Junta tórica	Y542000018
4	Anillo turbillonario	7042220947
5	Electrodo	7042E00001
6	Boquilla	7042220930
7	Tapa protectora	7042220854
8	Protección	7042220955
9	Protección	7042220931
10	Anillo turbillonario (estándar)	7042220857
11	Boquilla	7042220819
12	Protección	7042220818
13	Boquilla	70422208NG
14	Protección	70422209SG

5.3 Mekanize Torç Sarfları ve Yedek Parçaları

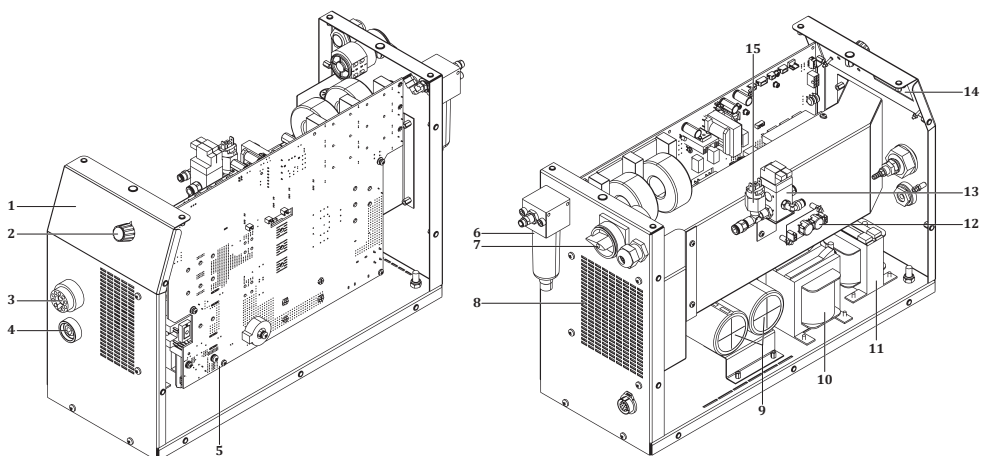


Óhmico

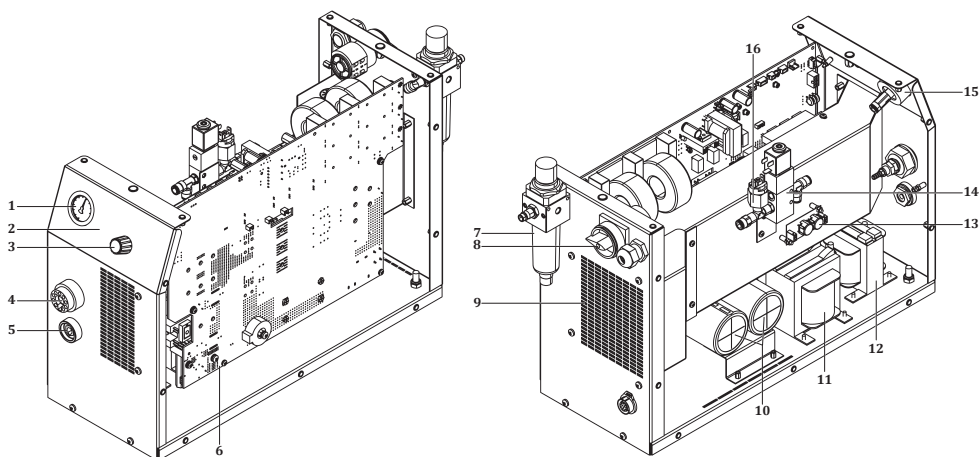
NÚMERO	DESCRIPCIÓN	CÓDIGO MATERIAL
1	Junta tórica	Y542000018
2	Cabeza de antorcha	Y542000017
3	Pieza de posicionamiento de la antorcha (estándar)	Y542000020
4	Pieza de posicionamiento de la antorcha	7942000010
5	Anillo turbillonario (estándar)	7042220857
6	Electrodo	7042E00001
7	Boquilla	7042220930
8	Tapa protectora	7042220854
9	Protección	7042220948
10	Boquilla	7042220819
11	Protección	7042220817
12	Boquilla	7042220953

5.4 Lista de piezas de repuesto de la máquina de corte por plasma

ID 65 PX



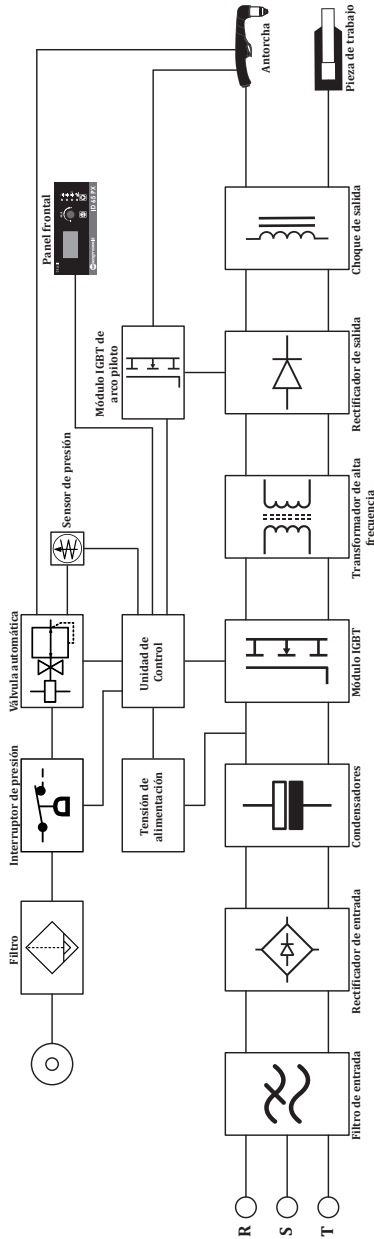
NÚMERO	DESCRIPCIÓN	ID 65 PX
1	Etiqueta de membrana	K109900170
2	Botón de potencia	A229500001
3	Conector de antorcha de plasma	K309000033
4	Zócalo de soldadura	A377900103
5	Placa Electrónica E230A-1 V2.3	K405000330
6	Filtro	A256001242
7	Interruptor Pako	A308000017
8	Ventilador	A250001141
9	Condensador electrolítico	A420200016
10	Transformador	A366000034
11	Bobina de choque	A421050007
12	Placa Electrónica E230A-4 V1.0	K405000327
13	Válvula	A253003050
14	Placa Electrónica E230A-2 V1.3	K405000329
15	Interruptor de presión	A253001150

ID 65 P

NÚMERO	DESCRIPCIÓN	ID 65 P
1	Manómetro	A827000017
2	Etiqueta de membrana	K109900171
3	Botón de potencia	A229500001
4	Conector de antorcha de plasma	K309000033
5	Zócalo de soldadura	A377900103
6	Placa Electrónica E230A-1 V2.3	K405000330
7	Filtro	A256001240
8	Interruptor Pako	A308000017
9	Ventilador	A250001141
10	Condensador electrolítico	A420200016
11	Transformador	A366000034
12	Bobina de choque	A421050007
13	Placa Electrónica E230A-4 V1.0	K405000327
14	Válvula	A253001151
15	Placa Electrónica E230A-1 V1.1	K405000328
16	Interruptor de presión	A253001150

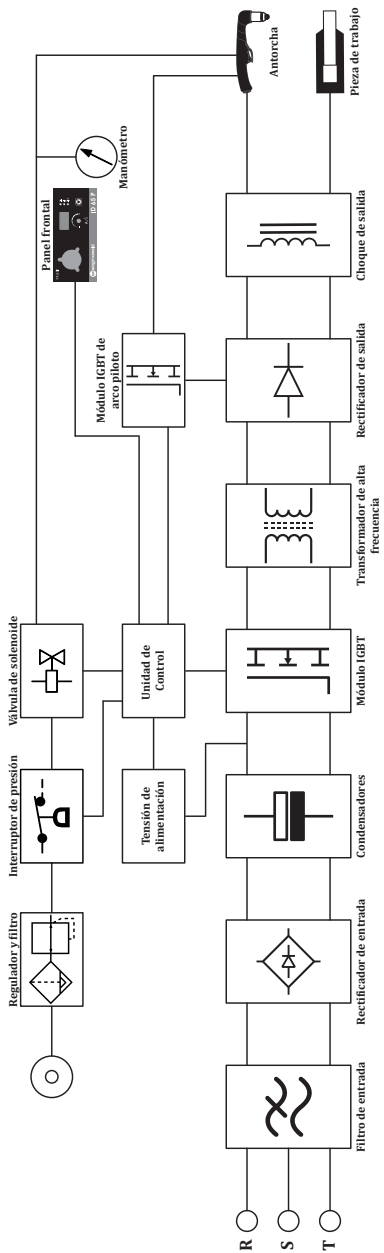
5.5 Diagramas de conexión

Diagrama de bloques ID 65 PX



ES

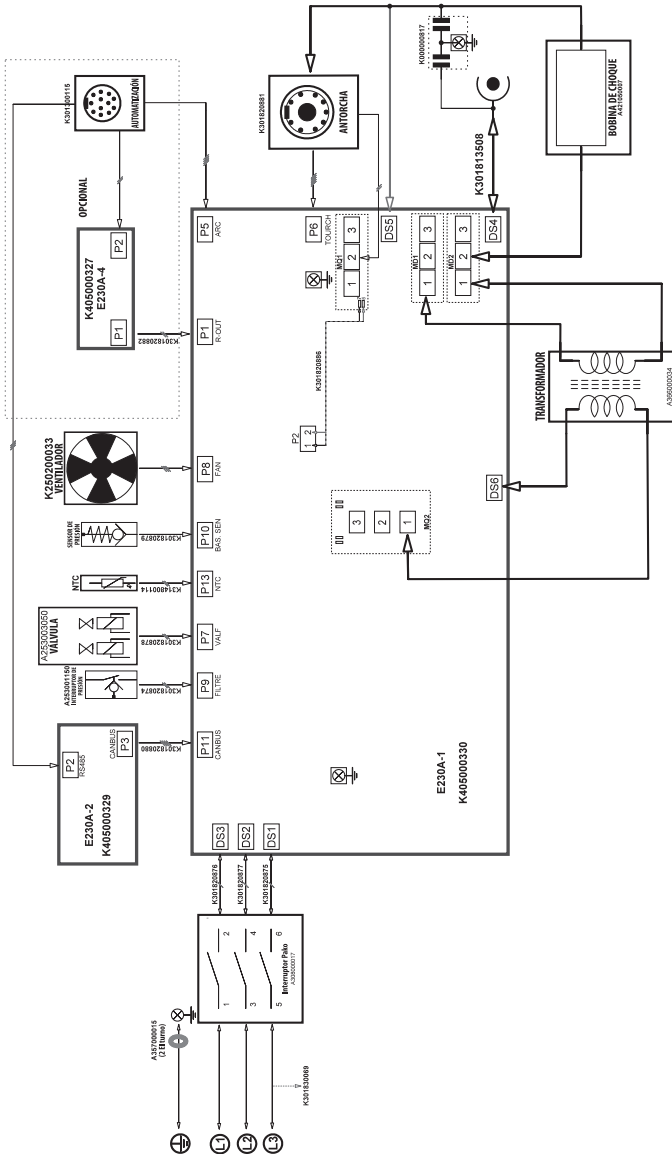
ID 65 P



ES

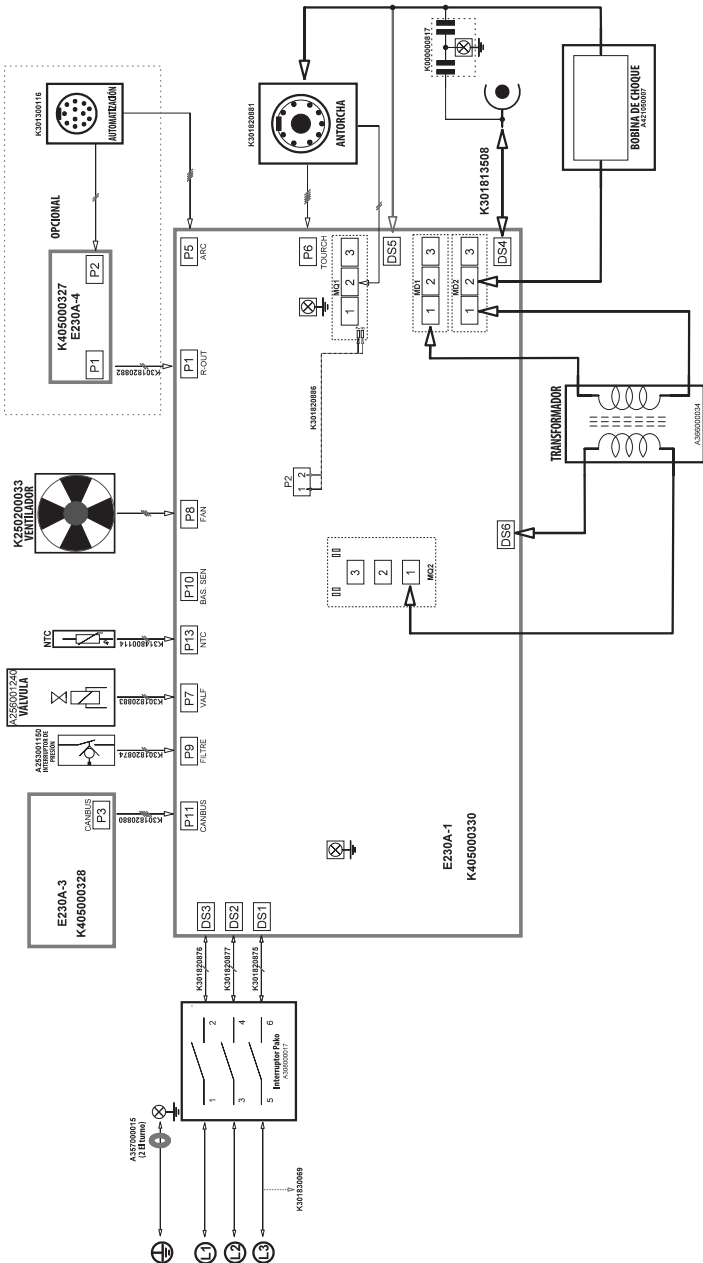
Diagramas de circuito

ID 65 PX



ES

ID 65 P



ES

PRODUCTO**Modelo****Número de serie****MANUFACTURERO****Título**

MAGMA MEKATRONİK MAKİNE SANAYİ VE TİCARET A.Ş.

Dirección

Organize Sanayi Bölgesi 5. Kısım MANİSA

Teléfono / E-mail

+90 236 226 27 00 / info@magmaweld.com

INFORMACIÓN DE COMPRA**Título****Ciudad / País****Teléfono / E-mail****Fecha y número de factura****INFORMACIÓN DEL CLIENTE****Título****Ciudad / País****Teléfono / E-mail****Nombre y Apellidos del Destinatario****INFORMACIÓN DE SERVICIO (si aplica)****Título****Nombre y Apellido del Técnico****Fecha de puesta en servicio**
(Fecha de inicio de la garantía)

Para conocer las condiciones de la garantía, visite nuestro sitio web
www.magmaweld.com/warranty-terms/wt.

 **INHOUD**

VEILIGHEIDSVOORSCHRIFTEN	246
1 TECHNISCHE GEGEVENS	
1.1 Algemene verklaringen	252
1.2 Onderdelen van het apparaat	252
1.3 Productlabel	254
1.4 Technische specificaties	255
1.5 Accessoires	255
2 INSTALLATIE-INFORMATIE	
2.1 Aandachtspunten bij ontvangst	256
2.2 Aanbevelingen voor installatie en gebruik	256
2.3 Elektrische aansluiting	257
2.4 Op het net aansluiten	257
2.5 Aansluitingen voor plasmasnijden	257
2.5.1 Gasaansluitingen	257
2.5.2 Aardklemverbindingen	257
2.5.3 Toortsaansluitingen	258
2.6 Het aanbrengen van verbruiksmaterialen	258
2.7 Overgedragen boog	259
2.8 Afstandsbediening	259
3 GEBRUIKSAANWIJZIGEN	
3.1 Gebruikersinterface	262
3.2 Gebruik van de toorts	266
4 ONDERHOUDS- EN STORINGSINFORMATIE	
4.1 Onderhoud	267
4.2 Problemen oplossen	268
4.3 Foutcodes	270
5 BIJLAGEN	
5.1 Aansluitschema voor geautomatiseerd plasmasnijden	273
5.2 Verbruiksmaterialen en reserveonderdelen voor handbranders	274
5.3 Verbruiksmaterialen en reserveonderdelen voor gemechaniseerde toorts	275
5.4 Lijst met reserveonderdelen voor plasmasnijmachines	276
5.5 Bedradingsschema's	278

✓ VEILIGHEIDSVOORSCHRIFTEN

Volg alle veiligheidsvoorschriften in de handleiding!

Aannames voor de beveiligingsinformatie



- De veiligheidssymbolen in de handleiding worden gebruikt om potentiële gevaren te identificeren.
- Telkens wanneer er een veiligheidssymbool in deze handleiding voorkomt, moet worden erkend dat er een risico op letsel bestaat en moet de volgende uitleg aandachtig worden gelezen om mogelijke gevaren te voorkomen.
- De eigenaar van het apparaat is verantwoordelijk voor het voorkomen dat onbevoegden toegang krijgen tot de apparatuur.
- Personen die het apparaat gebruiken, moeten ervaren of volledig getraind zijn in lassen/snijden en moeten de bedieningshandleiding lezen voordat zij aan het werk gaan en moeten de veiligheidswaarschuwingen in acht nemen.

Toelichting op de veiligheidssymbolen



LET OP

Duidt op een potentieel gevaarlijke situatie die letsel of schade kan veroorzaken. Het niet nemen van voorzorgsmaatregelen kan leiden tot persoonlijk letsel of verlies/beschadiging van materiaal.



BELANGRIJK

Verwijst naar gebruiksinstructies en waarschuwingen.



GEVAAR

Geeft aan dat er ernstig gevaar dreigt. Het niet opvolgen van deze instructie kan tot de dood of ernstig letsel leiden.

Begrijpen van de veiligheidswaarschuwingen



- Lees de gebruiksaanwijzing, labels en veiligheidswaarschuwingen op het apparaat zorgvuldig door.
- Controleer of de waarschuwingslabels op het apparaat in goede staat zijn. Vervang ontbrekende of beschadigde labels.
- Leer hoe u het apparaat bedient en hoe u de controles correct uitvoert.
- Gebruik uw apparaat in een geschikte werkomgeving.
- Ongepaste wijzigingen aan uw apparaat kunnen de veilige werking en de levensduur van uw apparaat negatief beïnvloeden.
- De fabrikant is niet verantwoordelijk voor de gevolgen van het gebruik van het apparaat anders dan de aangegeven omstandigheden.

Elektrische schokken kunnen levensgevaarlijk zijn



Zorg ervoor dat de installatieprocedures voldoen aan de nationale elektrische normen en andere relevante voorschriften. Zorg ervoor dat het apparaat door deskundige personen wordt geïnstalleerd.

- Draag droge en stevige geïsoleerde handschoenen en een werkschort. Gebruik nooit natte of beschadigde handschoenen en werkschorten.
- Draag vlambestendige beschermende kleding tegen het risico op brandwonden. De kleding van de gebruiker moet bescherming bieden tegen vonken, spatten en boogstraling.
- Werk nooit alleen. Zorg ervoor dat er in uw werkomgeving iemand is aan wie u een gevaar kunt melden.
- Raak de elektrode niet aan met blote handen. Zorg dat de elektrodeklem of elektrode niet in contact komt met personen of gearde voorwerpen.
- Raak nooit onderdelen onder spanning aan.
- Raak de elektrode nooit aan als u in contact bent met de elektrode die verbonden is met het werkoppervlak, de vloer of een andere machine.
- Bescherm uzelf tegen mogelijke elektrische schokken door uzelf te isoleren van het werkoppervlak en de vloer. Gebruik onbrandbaar, elektrisch isolerend, droog en onbeschadigd isolatiemateriaal dat groot genoeg is om te voorkomen dat de operator in contact komt met het werkoppervlak.
- Sluit niet meer dan één elektrode aan op de elektrodetang.
- Sluit de aardtang zo dicht mogelijk bij het werkstuk of de werktafel aan, zodat er een goed metaal-op-metaalcontact is.
- Controleer de toorts voordat u de machine start. Zorg ervoor dat de zaklamp en de kabels in goede staat zijn. Vervang een beschadigde, versleten toorts altijd.

- Raak de elektrodetang die op 2 verschillende machines is aangesloten niet tegelijkertijd aan, aangezien er dan een dubbele open circuitspanning ontstaat.
- Schakel het apparaat uit als u het niet gebruikt en ontkoppel de kabels.
- Koppel alle stroomaansluitingen en/of verbindingsstekkers los of schakel de machine uit voordat u de machine repareert.
- Wees voorzichtig wanneer u een lange netkabel gebruikt.
- Controleer of alle aansluitingen goed vastzitten, schoon en droog zijn.
- Zorg ervoor dat de kabels droog, schoon en vetvrij zijn. Bescherm tegen hete metalen onderdelen en vonken.
- Ongeïsoleerde, onbedekte kabels vormen een levensgevaarlijk gevaar. Controleer alle kabels regelmatig op mogelijke schade. Als u een beschadigde of ongeïsoleerde kabel aantreft, repareer of vervang deze dan onmiddellijk.
- Als de aardtang niet met het werkstuk verbonden is, isoleer deze dan om contact met een metalen voorwerp te voorkomen.
- Zorg ervoor dat de voedingskabel correct geaard is.
- Gebruik de AC lasuitgang niet in natte, vochtige of krappe ruimtes en op plaatsen waar valgevaar bestaat.
- Gebruik de wisselstroomuitgang alleen als deze nodig is voor het lasproces.
- Als AC-uitgang vereist is, gebruik dan de afstandsbediening als uw machine daarmee uitgerust is.

Neem extra veiligheidsmaatregelen als een van de volgende elektrisch gevaarlijke omstandigheden aanwezig is;

- Wanneer u op vochtige plaatsen bent of natte kleren draagt,
 - Op metalen vloeren, roosters of steigerconstructies,
 - Bij verkrampte posities zoals zitten, knielen of liggen,
 - Wanneer het risico van contact met het werkstuk of de vloer groot of onvermijdelijk is.
- De volgende apparatuur kan in deze gevallen worden gebruikt;
- Halfautomatische DC constante spanning (CV) MIG lasmachine,
 - DC handmatige beklede elektrode lasmachine,
 - DC- of AC-lasmachine met lage open circuitspanning (VRD), indien beschikbaar.

Wat te doen in geval van een elektrische schok



- Schakel de elektrische voeding uit.
- Gebruik niet-geleidende materialen, zoals droog hout, om het slachtoffer van een elektrische schok te bevrijden van stroomvoerende draden of onderdelen.
- Bel de hulpdiensten.

Als u een EHBO-training hebt gevolgd;

- Als het slachtoffer niet ademt, voer dan onmiddellijk reanimatie uit nadat het contact met de elektrische bron verbroken is. Ga door met reanimeren totdat de ademhaling op gang komt of hulp arriveert.
- Als er een automatische elektronische defibrillator (AED) beschikbaar is, gebruik deze dan zoals aangegeven.
- Behandel een elektrische brandwond als een thermische brandwond door een koud kompres aan te leggen. Voorkom infectie en dek af met een schone, droge doek.

Bewegende onderdelen kunnen letsel veroorzaken



- Blijf uit de buurt van bewegende voorwerpen.
- Houd alle afdekkingen, panelen, deuren, enz. van machines en apparaten gesloten en vergrendeld.
- Draag schoenen met metalen neuzen voor het geval er zware voorwerpen vallen.

Dampen en gassen kunnen schadelijk zijn voor uw gezondheid



Het is erg gevaarlijk om de rook en gassen die vrijkomen tijdens het lassen en snijden langdurig in te ademen.

- Een brandend gevoel en irritatie in de ogen, neus en keel zijn symptomen van slechte ventilatie. Verhoog in zo'n geval onmiddellijk de ventilatie, stop met lassen/snijden als het probleem aanhoudt.
- Zorg voor een natuurlijk of kunstmatig ventilatiesysteem in de werkruimte.
- Gebruik een geschikt dampafzuigsysteem op plaatsen waar gelast/gesneden wordt. Installeer indien nodig een systeem dat de dampen en gassen die zich in de hele werkplaats ophopen, kan afvoeren. Gebruik een geschikt filtratiesysteem om vervuiling van het milieu tijdens het lozen te voorkomen.

- Als u in besloten ruimtes werkt of als u lood-, beryllium-, cadmium-, zink-, gecoate of geveerde materialen last, gebruik dan naast de bovenstaande voorzorgsmaatregelen maskers die frisse lucht leveren.
- Als gascilinders in een aparte ruimte zijn gegroepeerd, zorg er dan voor dat deze ruimtes goed geventileerd zijn, houd de hoofdkranen gesloten als gascilinders niet in gebruik zijn, let op gaslekken.
- Beschermende gassen zoals argon zijn dichter dan lucht en kunnen worden ingeademd in plaats van lucht als ze in gesloten ruimten worden gebruikt. Dit is gevaarlijk voor uw gezondheid.
- Voer geen las- / snijwerkzaamheden uit in de aanwezigheid van gechloroerde koolwaterstofdampen afkomstig van smeer- of verfprocessen.
- Sommige gelaste/gesneden onderdelen vereisen speciale ventilatie. Lees aandachtig de veiligheidsregels voor producten die speciale ventilatie vereisen. Als een gasmasker vereist is, moet het juiste gasmasker worden gedragen.

Lasspatten en booglicht kunnen uw ogen en huid beschadigen



- Draag een gestandaardiseerd beschermingsmasker en een geschikt glasfilter om uw ogen en gezicht te beschermen.
- Bescherm andere blootgestelde lichaamsdelen (armen, nek, oren, enz.) tegen spatten en boogstralen met geschikte beschermende kleding.
- Omringel uw werkgebied met vlamwerende schermen boven ooghoogte en hang waarschuwingsborden op om de mensen om u heen te beschermen tegen boogstralen en hete metalen.
- Het wordt niet gebruikt voor het verwarmen van bevroren leidingen. Dit proces met een las/snijmachine kan explosie, brand of schade aan uw installatie veroorzaken.

Vonken en rondvliegende scherven kunnen uw ogen verwonden



- Handelingen zoals lassen/snijden, oppervlakteslijpen, borstelen enz. veroorzaken vonken en spatten van metaaldeeltjes. Draag een goedgekeurde veiligheidsbril met randbescherming onder het veiligheidsmasker om mogelijk letsel te voorkomen.

Hete onderdelen kunnen ernstige brandwonden veroorzaken



- Raak hete onderdelen niet met blote handen aan.
- Laat de apparaatonderdelen afkoelen voordat u eraan werkt.
- Als u hete onderdelen moet hanteren, gebruik dan geschikt gereedschap, las-/snijhandschoenen met hoge thermische isolatie en vuurvaste kleding

Lawaai kan uw gehoor beschadigen



- Het lawaai van sommige apparatuur en processen kan uw gehoor beschadigen.
- Draag goedgekeurde gehoorbescherming als het geluidsniveau hoog is.

Laskabel kan verwondingen veroorzaken



- Richt de toorts niet op lichaamsdelen, andere personen of metaal wanneer u de lasdraadspoel afrolt.
- Wanneer u de lasdraad met de hand van de spoel afrolt, vooral bij dunne diameters, kan de draad als een veer uit uw hand vliegen en u of andere personen in uw omgeving verwonden.

Lassen /snijden kan leiden tot brand en explosies



- Las/snij nooit in de buurt van brandbare materialen. Er kan brand of explosie ontstaan.
- Verwijder deze materialen uit de omgeving voordat u begint met lassen/snijden of bedek ze met beschermkappen om te voorkomen dat ze verbranden en ontbranden.
- Op deze gebieden zijn speciale nationale en internationale regels van toepassing.
- Las/snij geen volledig gesloten buizen of pijpen.
- Open buizen en gesloten houders vóór het lassen/snijden, maak ze volledig leeg, ventileer en reinig ze. Wees uiterst voorzichtig bij las- / snijwerkzaamheden op dergelijke plaatsen.
- Las/snij niet, zelfs niet als ze leeg zijn, op buizen en pijpen die eerder stoffen hebben bevat die explosie, brand of andere reacties kunnen veroorzaken.

- Tijdens het lassen/snijden wordt een hoge temperatuur gegenereerd. Plaats het daarom niet op oppervlakken die gemakkelijk kunnen verbranden of beschadigen!

- Vonken en rondvliegende scherven kunnen brand veroorzaken. Houd daarom materiaal zoals een brandblusserbuis, water en zand binnen handbereik.
- Gebruik terugslagkleppen, gasregelaars en afsluiters op circuits met ontvlambaar, explosief gas en gas onder druk. Zorg ervoor dat deze regelmatig gecontroleerd worden en goed functioneren.

Onderhoud van machines en apparaten door onbevoegden kan letsel veroorzaken



- Elektrische apparaten mogen niet door onbevoegden gerepareerd worden. Hier kunnen fouten ernstig letsel of de dood veroorzaken bij gebruik
- De gascircuitelementen werken onder druk; onderhoud door onbevoegden kan leiden tot explosies en ernstig letsel bij gebruikers.
- Het wordt aanbevolen om de machine en de bijbehorende eenheden minstens één keer per jaar technisch te onderhouden.

Lassen / snijden in kleine besloten ruimtes



- Voer las- / snijwerkzaamheden in kleine volumes en besloten ruimten altijd uit in het bijzijn van een andere persoon.
- Vermijd zoveel mogelijk las- / snijwerkzaamheden in dergelijke kleine ruimtes.

Het niet nemen van de nodige voorzorgsmaatregelen tijdens transport kan ongelukken veroorzaken



- Neem alle nodige voorzorgsmaatregelen bij het transporteren van de machine. De gebieden die vervoerd moeten worden, de onderdelen die bij het transport gebruikt moeten worden en de fysieke omstandigheden en gezondheid van de persoon die het transport uitvoert, moeten geschikt zijn voor het transportproces.
- Sommige apparaten zijn extreem zwaar, dus er moet voor worden gezorgd dat de nodige voorzorgsmaatregelen voor milieuveiligheid worden genomen bij het verplaatsen ervan.
- Als het apparaat vanaf een platform gebruikt moet worden, moet gecontroleerd worden of het platform geschikte belastingsgrenzen heeft.
- Als het apparaat met behulp van een voertuig (trolley, vorkheftruck, enz.) vervoerd moet worden, zorg er dan voor dat het voertuig en de verbindingpunten die het apparaat met het voertuig verbinden (draagriem, riem, bout, moer, wiel, enz.) sterk zijn.
- Als u het apparaat met de hand moet hanteren, zorg er dan voor dat het apparaat (draagriem, riem, enz.) en de aansluitingen goed vastzitten.
- Houd u aan de regels voor transportgewicht van de Internationale Arbeidsorganisatie en de transportvoorschriften die in uw land van toepassing zijn, om de noodzakelijke transportomstandigheden te garanderen.
- Gebruik altijd de handgrepen of draaglusen wanneer u de voeding verplaatst. Trek nooit aan de toorts, kabel of de slangen. Draag gasflessen altijd apart.
- Voordat u las-/snijapparatuur vervoert, moet u alle onderlinge verbindingen verwijderen, ze afzonderlijk optillen en vervoeren, kleine aan de handgrepen, grote aan de draagringen of met behulp van geschikte hefapparatuur zoals een vorkheftruck.

Vallende scherven kunnen letsel veroorzaken



Een onjuiste plaatsing van de voeding of andere apparatuur kan leiden tot ernstig persoonlijk letsel en materiële schade aan andere objecten.

- Plaats uw machine op vloeren en platforms met een maximale helling van 10°, zodat de machine niet kan vallen of kantelen. Geef de voorkeur aan ruimten die de materiaalstroom niet belemmeren, waar u niet over kabels en slangen kunt struikelen en waar geen beweging is, maar wel grote, goed geventileerde, stofvrije ruimten. Om te voorkomen dat de gascilinders omvallen, bevestig u ze op het plateau in machines met een gasplateau dat geschikt is voor de cilinder, en bevestig u ze aan de muur met een ketting zodat ze bij vast gebruik niet omvallen.
- Bied operators gemakkelijke toegang tot instellingen en aansluitingen op de machine.

Overmatig gebruik veroorzaakt oververhitting van de machine



- Laat de machine afkoelen volgens de gebruikscyclus.
- Verminder de stroomsterkte of de inschakelduur voordat u opnieuw begint te lassen/snijden.
- Blokkeer de ventilatieopeningen van de machine niet.
- Installeer geen filters in de ventilatieopeningen van de machine zonder toestemming van de fabrikant.

Booglassen kan elektromagnetische storing veroorzaken



- Dit apparaat is groep 2, klasse A in EMC-tests volgens de TS EN 55011 norm.
- Dit apparaat van klasse A is niet bedoeld voor gebruik in woonwijken waar de elektrische stroom wordt geleverd door het laagspanningsnet. Er kunnen problemen optreden bij het garanderen van elektromagnetische compatibiliteit door radiofrequentie-interferentie die op dergelijke locaties wordt uitgezonden en uitgestraald.



Dit apparaat voldoet niet aan IEC 61000 -3 - 12. Als het apparaat bedoeld is om aangesloten te worden op het laagspanningsnet dat in huishoudens gebruikt wordt, moet de installateur die de elektrische aansluiting zal maken of de persoon die het apparaat zal gebruiken, geïnformeerd worden over de connectiviteit van het apparaat, in welk geval de verantwoordelijkheid bij de gebruiker ligt.

- Zorg ervoor dat het werkgebied voldoet aan de elektromagnetische compatibiliteit (EMC). Elektromagnetische interferentie tijdens het lassen/snijden kan ongewenste effecten hebben op uw elektronische apparaten en het lichtnet. De gebruiker is verantwoordelijk voor de effecten die deze storingen tijdens het gebruik kunnen veroorzaken.
- Als er interferentie optreedt, kunnen extra maatregelen worden genomen om naleving te garanderen, zoals het gebruik van korte kabels, het gebruik van afgeschermde (gepantserde) kabels, verplaatsing van de machine, verwijdering van kabels uit het getroffen apparaat en/of gebied, gebruik van filters of EMC-bescherming van het werkgebied.
- Om mogelijke EMC-schade te voorkomen, dient u las- / snijwerkzaamheden zo ver mogelijk (100 m) van uw gevoelige elektronische apparaten uit te voeren.
- Zorg ervoor dat uw apparaat geïnstalleerd en geplaatst is in overeenstemming met de gebruiksaanwijzing.

NL

Beoordeling van elektromagnetische compatibiliteit van het werkgebied



Volgens IEC 60974-9 clausule 5.2;

Voordat las- / snijapparatuur wordt geïnstalleerd, moet de bedieningsinstantie en/of de gebruiker een onderzoek uitvoeren naar mogelijke elektromagnetische interferentie in de omgeving. De volgende voorwaarden moeten in acht worden genomen;

- Andere voedingskabels, besturingskabels, signaal- en telefoonkabels boven, onder en naast de las-/snijmachine en apparatuur,
- Radio- en televisiezenders en -ontvangers,
- Computer en andere regelapparatuur,
- Kritische veiligheidsapparatuur, bijv. bescherming van industriële apparatuur,
- Medische apparatuur van mensen in de buurt, bijv. pacemakers en gehoorapparaten,
- Apparatuur die voor meting of kalibratie wordt gebruikt,
- Immunititeit van andere apparatuur in de omgeving. De gebruiker moet ervoor zorgen dat andere apparatuur die in de omgeving wordt gebruikt, compatibel is. Hiervoor kunnen extra beschermingsmaatregelen nodig zijn,
- De grenzen van het inspectiegebied kunnen worden uitgebreid afhankelijk van de grootte van de omgeving, de structuur van het gebouw en andere activiteiten die in het gebouw worden uitgevoerd, rekening houdend met het tijdstip van de dag waarop het las- / snijproces zal worden uitgevoerd.

Naast de beoordeling van het gebied kan ook de evaluatie van de apparaatinstallaties nodig zijn om de storing op te lossen. Indien nodig kunnen metingen ter plaatse ook worden gebruikt om de efficiëntie van de beperkende maatregelen te bevestigen. (Bron: IEC 60974-9).

Methoden voor vermindering van storingen



- Het apparaat moet op de aanbevolen manier en door een bevoegd persoon op het lichtnet worden aangesloten. Als er interferentie optreedt, kunnen er extra maatregelen worden genomen, zoals het filteren van het lichtnet. De voeding van vast opgestelde booglasapparatuur moet via een metalen pijp of een gelijkwaardige afgeschermde kabel lopen. Het display en de behuizing van de voeding moeten met elkaar verbonden zijn en er moet een goed elektrisch contact zijn tussen de twee structuren.
- Het aanbevolen routineonderhoud van het apparaat moet worden uitgevoerd. Wanneer het apparaat in gebruik is, moeten alle luiken van de motorkap gesloten en/of vergrendeld zijn. Er mogen geen andere wijzigingen of aanpassingen aan het apparaat worden aangebracht dan de standaardinstellingen zonder schriftelijke toestemming van de fabrikant. Anders is de gebruiker verantwoordelijk voor eventuele gevolgen.
- Las- / snijkabels moeten zo kort mogelijk worden gehouden. Ze moeten naast elkaar over de vloer van het werkgebied bewegen. Las- / snijkabels mogen op geen enkele manier opgerold worden.
- Tijdens het lassen/snijden wordt er een magnetisch veld in de machine opgewekt. Hierdoor kan het apparaat metalen onderdelen naar zich toe trekken. Om deze aantrekkingskracht te voorkomen, moet u ervoor zorgen dat metalen materialen zich op een veilige afstand bevinden of beveiligd zijn. De operator moet geïsoleerd zijn van al deze onderling verbonden metalen materialen.

- Wanneer het werkstuk om elektrische veiligheidsredenen of vanwege de grootte en positie niet met de aarde verbonden is (bijv. bij de vervaardiging van scheepsrompen of staalconstructies), kan een verbinding tussen het werkstuk en de aarde in sommige gevallen de emissies verminderen. Houd er rekening mee dat aarding van het werkstuk letsel bij gebruikers of storingen in andere elektrische apparatuur in de omgeving kan veroorzaken. Indien nodig kan de verbinding tussen het werkstuk en de aarde worden gemaakt als een directe verbinding, maar in sommige landen waar een directe verbinding niet is toegestaan, kan de verbinding worden gemaakt met behulp van geschikte capaciteitselementen in overeenstemming met de plaatselijke regelgeving en voorschriften.
- Afscherming en afscherming van andere apparaten en kabels in het werkgebied kunnen helpen om interferentie te voorkomen. Afscherming van de gehele las-/snijzone kan overwogen worden voor sommige speciale toepassingen.

Elektron-magnetisch veld (EMF)



Elektrische stroom die door een geleider loopt, genereert gelokaliseerde elektrische en magnetische velden (EMF). Bedieners moeten de volgende procedures volgen om het risico van blootstelling aan EMF tot een minimum te beperken;

- Om het magnetische veld te verminderen, moeten las-/snijkabels zoveel mogelijk bij elkaar worden gebracht en worden vastgezet met verbindingmateriaal (tape, kabelbinders, enz.).
- Het bovenlichaam en het hoofd van de bediener moeten zo ver mogelijk uit de buurt van de las-/snijmachine en kabels worden gehouden,
- Lassen/snijden en elektrische kabels mogen op geen enkele manier om het lichaam gewikkeld worden,
- Het lichaam mag niet tussen de las- / snijkabels vast komen te zitten. Beide las- / snijkabels moeten naast elkaar uit de buurt van het lichaam worden gehouden,
- De retourkabel moet zo dicht mogelijk bij het las-/snijgebied op het werkstuk worden aangesloten,
- Leun niet tegen de voedingseenheid, ga er niet op zitten en werk er niet te dicht bij,
- Tijdens het transport van de voedingseenheid of draadaanvoereenheid mag er niet gelast/gesneden worden.

EMF kan ook de werking van medische implantaten (materiaal dat in het lichaam wordt geplaatst), zoals pacemakers, nadelig beïnvloeden. Er moeten beschermende maatregelen worden genomen voor mensen met medische implantaten. De toegang kan bijvoorbeeld worden beperkt voor voorbijgangers of er kunnen individuele risicobeoordelingen worden gemaakt voor operators. Voor gebruikers met medische implantaten moet een medische deskundige een risicobeoordeling uitvoeren en een aanbeveling doen.

Bescherming



- Stel het apparaat niet bloot aan regen, waterspatten of stoom onder druk.

Energie-efficiëntie



- Kies de methode en machine die geschikt zijn voor het las-/snijproces dat u gaat uitvoeren.
- Selecteer de stroom en/of spanning die geschikt is voor het materiaal en de dikte van het te lassen/snijden materiaal.
- Als u lange tijd wacht zonder te lassen/snijden, schakel de machine dan uit nadat de ventilator de machine heeft afgekoeld. Onze apparaten met intelligente ventilatorregeling stoppen vanzelf.

Afvalprocedure



- Dit apparaat is geen huishoudelijk afval. Het moet gericht zijn op recycling binnen het kader van de richtlijn van de Europese Unie en de nationale wetgeving.
- Vraag uw dealer en bevoegde personen om informatie over het afvalbeheer van uw gebruikte machine.

GARANTIEFORMULIER



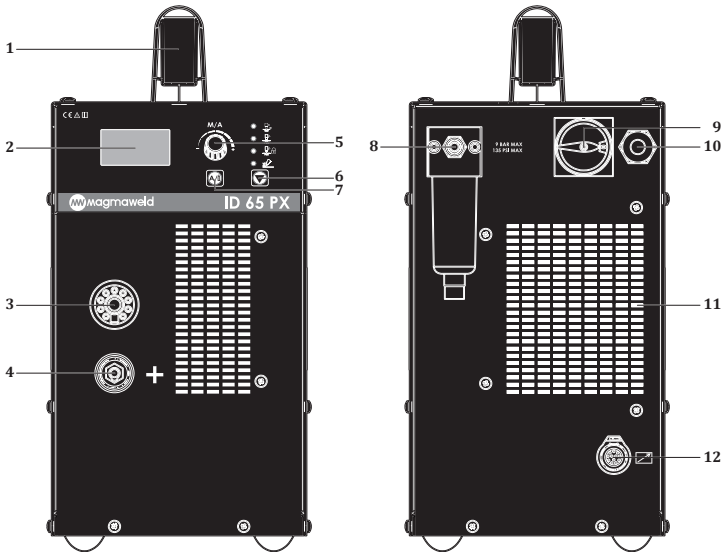
Ga naar onze website www.magmaweld.com/warranty-form/wr voor het garantieformulier.

TECHNISCHE GEGEVENS

1.1 Algemene verklaringen

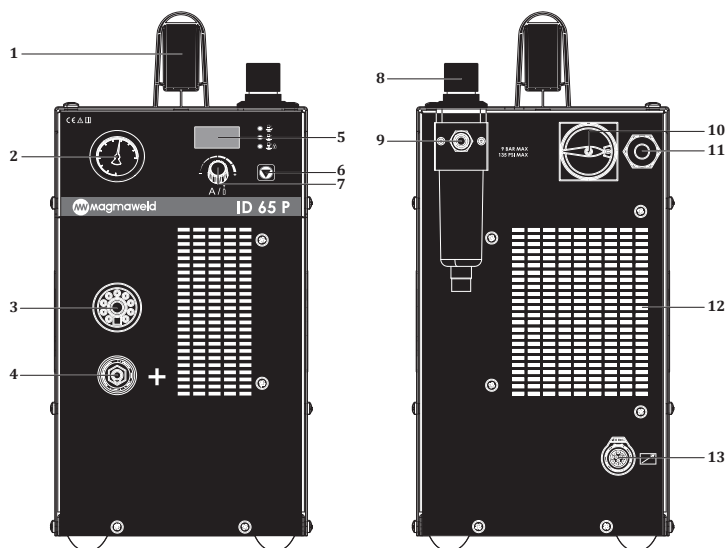
De ID 65 PX en ID 65 P zijn hoogwaardige plasmasnijmachines voor snij- en groeftoepassingen. Dankzij het compacte ontwerp is het licht en draagbaar. Het biedt uitstekende snij- en gutsprestaties. De gasdruk van het ID 65 PX-model wordt automatisch aangepast aan de snijmodus en de gebruikte toorts. Het ID 65 P-model moet handmatig worden afgesteld op de vereiste gasdruk.

1.2 Onderdelen van het apparaat



Figuur 1 : ID 65 PX voor- en achteraanzicht




- | | |
|-------------------------------------|--------------------------------------|
| 1- Handgreep | 7- Selectieknop stroom / gas |
| 2- Digitaal display | 8- Luchtfilter |
| 3- Aansluiting voor toorts | 9- Aan/uit-schakelaar |
| 4- Aardingsaansluiting (+) | 10- Stroomaansluiting |
| 5- Afstelknop | 11- Ventilator |
| 6- Knop voor selectie van snijmodus | 12- Connector voor afstandsbediening |






Figuur 2 : ID 65 P voor- en achteraanzicht

- | | |
|-------------------------------------|--------------------------------------|
| 1- Handgreep | 8- Regelknop gasdruk |
| 2- Handmatige gasdrukmeter | 9- Luchtfilter |
| 3- Aansluiting voor toorts | 10- Aan/uit-schakelaar |
| 4- Aardingsaansluiting (+) | 11- Stroomaansluiting |
| 5- Digitaal display | 12- Ventilator |
| 6- Knop voor selectie van snijmodus | 13- Connector voor afstandsbediening |
| 7- Afstelknop | |

1.3 Productlabel

MAGMA MEKATRONİK MAKİNE SAN. VE TİC. A.Ş. Organize Sanayi Bölgesi 5.Kısım Manisa-TÜRKİYE				
ID 65 PX		S/N:		
		EN 60974-1/-10 Cl. A		
	20A / 88V - 65A / 106V			
S	$X^{(40^{\circ}\text{C})}$	50%	60%	100%
	I_2	65A	59A	46A
	U_2	106V	103.7V	98.4V
	$U_1=400\text{V}$	$I_{1\text{max}} = 17.8\text{A}$	$I_{1\text{eff}} = 12.61\text{A}$	
IP21S		CE	EAC	UK CA

MAGMA MEKATRONİK MAKİNE SAN. VE TİC. A.Ş. Organize Sanayi Bölgesi 5.Kısım Manisa-TÜRKİYE				
ID 65 P		S/N:		
		EN 60974-1/-10 Cl. A		
	20A / 88V - 65A / 106V			
S	$X^{(40^{\circ}\text{C})}$	50%	60%	100%
	I_2	65A	59A	46A
	U_2	106V	103.7V	98.4V
	$U_1=400\text{V}$	$I_{1\text{max}} = 17.8\text{A}$	$I_{1\text{eff}} = 12.61\text{A}$	
IP21S		CE	EAC	UK CA

 Driefasige transformatorgelijkrichter

 Verticaal kenmerk

 Gelijkstroom

 Plasmasnijden

 Netingang-3-fase wisselstroom

 Geschikt voor werken in gevaarlijke omgevingen

X Werkingscyclus

U_0 Onbelast werkvoltage

U_1 Netspanning en -frequentie

U_2 Nominale bronspanning

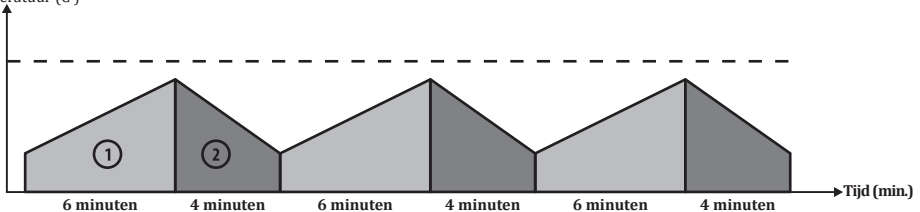
I_1 Nominale stroom uit het stopcontact

I_2 Nominale bronstroom

S_1 Inkomend stroom van het net

IP21 Beschermingsklasse

Werkingscyclus
Temperatuur (C)



Zoals gedefinieerd in EN 60974-1 omvat de bedrijfscyclus een tijdsperiode van 10 minuten. Als het bijvoorbeeld gewenst is om met 100 A te werken in een machine die gespecificeerd is als 100 A bij 60%, kan de machine snijden zonder te stoppen in de eerste 6 minuten van de tijdsperiode van 10 minuten (1 zone). De machine moet echter de volgende 4 minuten niet gebruikt worden om af te koelen (zone 2).

1.4 Technische specificaties

TECHNISCHE SPECIFICATIES	EENHEID	ID 65 PX	ID 65 P
Netspanning (3 Fasen 50-60 Hz)	V	400	400
Inkomend stroom van het net	kVA	12,3	12,3
Huidig instelbereik	ADC	20 - 65	20 - 65
Beoordeeld stroom	ADC	65	65
Open-circuit spanning	VDC	270	270
Aanbevolen snijdikte (alle metalen)	mm	22 (500 mm/min.)	22 (500 mm/min.)
Maximale snijdikte (alle metalen)	mm	28 (250 mm/min.)	28 (250 mm/min.)
Breekdikte (alle metalen)	mm	35 (125 mm/min.)	35 (125 mm/min.)
Groeven (3,5 mm D x 6,6 mm B)	kg	5 (in 1 uur)	5 (in 1 uur)
Afmetingen (lengte x breedte x diepte)	mm	628.1 x 219.3 x 453.7	628.1 x 219.3 x 453.7
Gewicht	kg	26	26
Beschermingsklasse		IP21S	IP21S

De snij snelheden in de tabel zijn gebaseerd op laboratoriumtests door Magmaweld. Deze waarden kunnen afhankelijk van de verschillende snijtoepassingen en omgevingsomstandigheden variëren.

1.5 Accessoires

STANDAARD ACCESSOIRES	AANTAL	PRODUCTCODE
Aardingstang en kabel	1	K301100343
Toorts (handmatig) *	1	7142H10506
Toorts (machinaal) *	1	7142M10512

* Moet worden opgegeven tijdens de bestelling.

INSTALLATIE-INFORMATIE

2.1 Aandachtspunten bij ontvangst

Controleer of alle onderdelen die u besteld hebt, aangekomen zijn. Als er materiaal ontbreekt of beschadigd is, neem dan onmiddellijk contact op met de plaats van aankoop.

De standaard doos bevat :

- Hoofdapparaat met bijbehorende netkabel
- Toorts en toebehoren
- Aardingstang en kabel
- Garantiecertificaat
- Gebruiksaanwijzing

Hasarlı teslimat halinde tutanak tutun, hasarın resmini çekin, irsaliyenin fotokopisi ile birlikte nakliyecı firmaya bildirin. Sorunun devam etmesi halinde müşteri hizmetleri ile irtibata geçin.

Symbolen op het apparaat en hun betekenis



Aan het plasmasnijden/lasproces zijn gevaren verbonden. Er moet worden gezorgd voor geschikte werkomstandigheden en de nodige voorzorgsmaatregelen moeten worden genomen. Gespecialiseerde personen zijn verantwoordelijk voor de machine en moeten voor de nodige uitrusting zorgen. Niet-verwante personen moeten uit de buurt van het brongebied worden gehouden.



Dit apparaat voldoet niet aan IEC 61000-3-12. Als het apparaat bedoeld is om aangesloten te worden op het laagspanningsnet dat in huishoudens gebruikt wordt, moet de installateur die de elektrische aansluiting zal maken of de persoon die het apparaat zal gebruiken, geïnformeerd worden over de connectiviteit van het apparaat, in welk geval de verantwoordelijkheid bij de gebruiker ligt.



Let op de veiligheidssymbolen en waarschuwingen op het apparaat en in de gebruikershandleiding en verwijder de labels niet.



Roosters zijn voor ventilatiedoeleinden. Openingen mogen niet afgedekt worden voor een goede koeling en er mogen geen vreemde voorwerpen in zitten.

2.2 Aanbevelingen voor installatie en gebruik

- Voor het verplaatsen van de machine moeten hijsringen of vorkheftrucks worden gebruikt. Til de machine niet op met de gasfles. Bij het handmatig dragen van draagbare lasapparaten moeten maatregelen worden genomen in overeenstemming met de Arbo-voorschriften. Op de werkplek moeten de nodige voorzieningen worden getroffen om ervoor te zorgen dat het transportproces zoveel mogelijk in overeenstemming met de gezondheids- en veiligheidsomstandigheden wordt uitgevoerd. Er moeten voorzorgsmaatregelen worden genomen in overeenstemming met de kenmerken van de werkomgeving en de vereisten van de taak. Plaats de machine op een harde, vlakke en gladde ondergrond waar deze niet kan vallen of kantelen
- Wanneer de omgevingstemperatuur hoger is dan 40 C, laat u de machine met een lagere stroomsterkte of met een lagere cyclussnelheid werken.
- Vermijd plasmasnijden in de buitenlucht bij wind en regen. Als in dergelijke gevallen plasmasnijden noodzakelijk is, bescherm het plasmasnijgebied en de plasmasnijmachine dan met brandwerende gordijnen en zonneschermen.
- Zorg er bij het plaatsen van het apparaat voor dat materialen zoals muren, gordijnen, panelen enz. de gemakkelijke toegang tot de bedieningselementen en aansluitingen van het apparaat niet belemmeren.
- Als u binnenshuis plasmasnijdt, gebruik dan een geschikt dampafzuigstelsysteem. Bij het plasmasnijproces ontstaan schadelijke stoffen, dampen en gassen. Gebruik ademhalingsapparatuur als er een risico bestaat op het inademen van dampen, stofdeeltjes en gassen in besloten ruimten.
- Houd u aan de gebruikscycli die op het productlabel staan aangegeven. Frequente overschrijding van de bedrijfscycli kan de machine beschadigen en de garantie ongeldig maken.
- De voedingskabel moet worden gebruikt in overeenstemming met de opgegeven waarde van de zekering.
- De voeding moet geaard zijn in overeenstemming met de plaatselijke en landelijke elektrische voorschriften.
- Controleer of de gastoevoeraansluitingen in orde zijn. Als de gasbron in de cilinder is samengeperst, zet de gascilinder dan zo vast dat hij niet kan omvallen.

2.3 Elektrische aansluiting



Gebruik voor uw veiligheid nooit het netsnoer van de machine zonder stekker. Bescherm de apparatuur met systeemgeschikte vertraagde zekeringen en een , noodschakelaar om de inkomende stroom in geval van nood snel uit te schakelen.

- Gebruik de juiste aardkabel voor uw voeding. Steek de chassisconnector in de aansluiting op de voeding en klik hem vast in de aansluiting. Controleer of de aansluiting goed vastzit.
- De elektrische aansluiting moet worden uitgevoerd door een erkende elektricien in overeenstemming met de lokale en nationale wetgeving.

2.4 Op het net aansluiten



Wanneer u de stekker in het stopcontact steekt, moet u ervoor zorgen dat de aan/uit-schakelaar van de machine in de stand "0" staat.

- Controleer de 3 fasen met een voltmeter voordat u de machine op het stroomnet aansluit. Steek de stekker in het stopcontact nadat u gecontroleerd hebt of alle stappen correct zijn uitgevoerd.
- Zet de machine aan met de aan/uit-schakelaar.
- Nadat u het MW-symbool op het display ziet, is de machine klaar voor gebruik. (ID 65 PX)
- Schakel de machine uit door de schakelaar weer op "0" te zetten.

2.5 Aansluitingen voor plasmasnijden



Bij het snijden moet voorzichtig te werk worden gegaan en moeten geschikte beschermende kleding en handschoenen worden gebruikt.

2.5.1 Gasaansluitingen

- Als de gasbron zich in de werkplaats of in de gasfles bevindt, moet er een gasregelaar worden gebruikt en deze regelaar moet gas kunnen leveren aan de luchtinlaat op de machine.
- Als er een gascilinder wordt gebruikt, zet deze dan zo vast dat hij niet kan omvallen.
- Voor een veilige werking en de beste resultaten gebruikt u een regulator die voldoet aan de standaard en zorgt u ervoor dat de kwaliteit van de gastoevoer in orde is. De kwaliteit van de gastoevoer beïnvloedt de snijprestaties en de kwaliteit van het materiaal.
- Zorg ervoor dat de gasleiding beschermd is tegen verontreinigingen zoals olie en stof.
- Houd de kraan van de gasfles een tijdje open zodat eventuele afzettingen en deeltjes afgevoerd kunnen worden.
- Sluit de gasregelaar aan op de gasfles, zorg ervoor dat de schroefdraad op de gasuitlaat van de gasfles en de moer van de regelaar samenvallen.
- Sluit één uiteinde van de cilinderslang aan op de gasregelaar en het andere uiteinde op de gasinlaat aan de achterkant van de machine en open de gaskraan.
- Regel de gasstroom met de drukregelklep.
- Controleer of er geen lekken in de koppelingen zitten.
- Als de inlaatgasdruk de bovengrens overschrijdt, kan het luchtfilter beschadigd raken.

Gaslassen	Zuivere, droge, olievrije lucht of stikstof
Aanbevolen gasinlaatdebiet / -druk	Snijden: 185 l/min bij 5,5 bar. Groeven: 208 l/min bij 4,6 bar.

2.5.2 Aardklemverbindingen

- Steek de stekker van de kabeltang in de aardingsbus op de machine en draai deze stevig vast door hem naar rechts te draaien. Controleer of de verbinding is gemaakt.
- Om de kwaliteit van de snede te verbeteren, bevestigt u de aardtang stevig op het werkstuk, zo dicht mogelijk bij het gebied dat moet worden gesneden.

- Zorg voor goed metaal-op-metaalcontact. Sluit de aardingstang nooit aan op het deel van het metaal dat zal vallen.



De voeding moet worden geaard in overeenstemming met de nationale en plaatselijke elektrische voorschriften om de persoonlijke veiligheid te waarborgen, elektromagnetische interferentie te verminderen en geschikte werkomstandigheden te creëren.

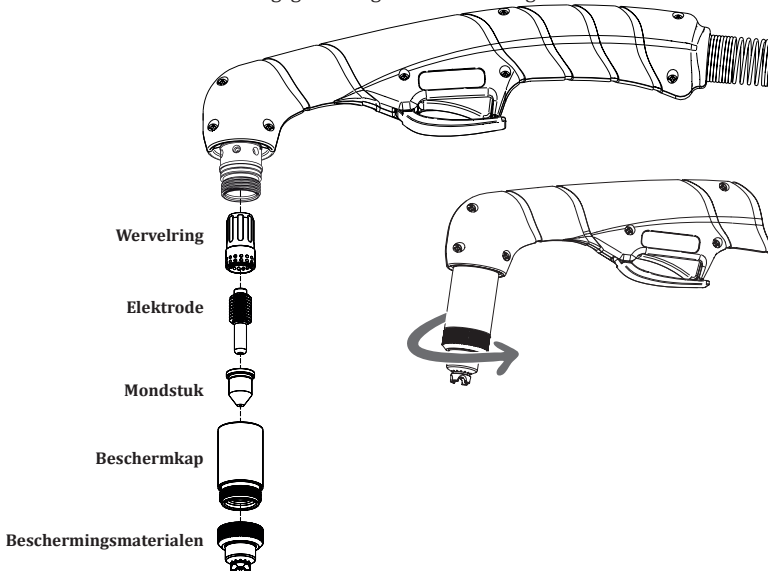
2.5.3 Toortsaansluitingen

- De plasmasnijtoorts van het merk Magmaweld moet gebruikt worden in overeenstemming met de snijmethode die met de voeding gebruikt moet worden.
- Handmatige toorts voor handmatig snijden en gemechaniseerde toorts voor gemechaniseerd snijden.
- Steek voor het aansluiten van de toorts de toortsconnector in de aansluiting op de voeding en draai deze naar rechts. Controleer of de verbinding helemaal gemaakt is.
- Schakel de voeding uit terwijl de toorts wordt aangesloten.
- Zie 5.1 voor gedetailleerde informatie over toortsen.



2.6 Het aanbrengen van verbruiksmaterialen

- De verbruiksmaterialen die gebruikt worden voor handmatige en gemechaniseerde plasmasnijtoortsen zijn verschillend.
- Ten eerste moeten de verbruiksmaterialen van de toorts worden voorbereid.
- Afhankelijk van het type toorts en de gebruikte methode moeten geschikte verbruiksmaterialen worden gekozen.
- De verbruiksmaterialen moeten in de aangegeven volgorde worden aangebracht.



- De levensduur van verbruiksmaterialen hangt af van het te snijden materiaal, de dikte van de snede, de lengte van de snede, de snijmethode, de juiste afstand tot het materiaal, de luchtkwaliteit en de ontstekingsfrequentie. Als de ontstekingsfrequentie hoog is, zal het verbruiksmateriaal sneller slijten.
- Bij het werken met beschermingsmateriaal kan de toortspunt tijdens het snijden het te snijden metaal raken. Bij het werken met verbruiksmaterialen zonder bescherming moet er een afstand van 2 - 3 mm zijn tussen het snijgedeelte en de toorts.
- Zie 5.1 voor gedetailleerde informatie over verbruiksmaterialen.



Wanneer de toortstrekker wordt ingedrukt, wordt de plasmaboog onmiddellijk gegenereerd. Zorg ervoor dat de voeding is uitgeschakeld wanneer u plasmaverbruiksartikelen vervangt.

2.7 Overgedragen boog

Tijdens het plasmasnijden wordt geïoniseerd gas met een hoge elektrische geleidbaarheid gebruikt. Zodra de plasmatoorts geactiveerd wordt, wordt de gelijkstroom geactiveerd en binnen korte tijd begint er een snelle gasstroom in de toorts. Deze gelijkstroom ioniseert het gas in de toorts en er wordt een vlamboog geproduceerd. Deze zogenaamde achterste overgedragen boog wordt door de toorts versmald en gecondenseerd.

De overgedragen boog wordt door gassen die met hoge snelheid stromen uit de toortsmond geperst. Wanneer deze in contact komt met het te snijden metaal, wordt er hoofdstroom opgewekt en begint het snijden. Het snijproces wordt voortgezet door de toorts te bewegen.

2.8 Afstandsbediening

De afstandsbediening is alleen actief bij gebruik van een gemechaniseerde toorts. Aan de achterkant van de machine bevindt zich een aansluiting voor de afstandsbediening. Zodra er een verbinding is gemaakt met de aansluiting aan de achterkant van de stroombron, komt er hoogspanning en een signaal voor boogoverdracht en plasmastart. Zie 5.2 voor gedetailleerde informatie over het automatiseringsaansluitschema.

Aanpassing spanningsdeler

De voeding heeft een spanningsdeler met vijf standen.

De spanningsinformatie wordt gewijzigd door middel van een spanningsdeler. De fabrieksinstelling van de spanningsdeler is 20:1.

De volgende tabel toont de stand van de DIP-schakelaars voor het instellen van de spanningsdeler:



20:1



20.1:1



30:1



40:1



50:1



: Geeft aan dat de schakelaar aan staat.

ID65 PX-plasmasnijmachine heeft 2 soorten automatiseringsinterfaces, digitale en analoge communicatie. De ID65 P-plasmasnijmachine heeft alleen een analoge communicatie-automatiseringsinterface.

1) Digitale communicatie

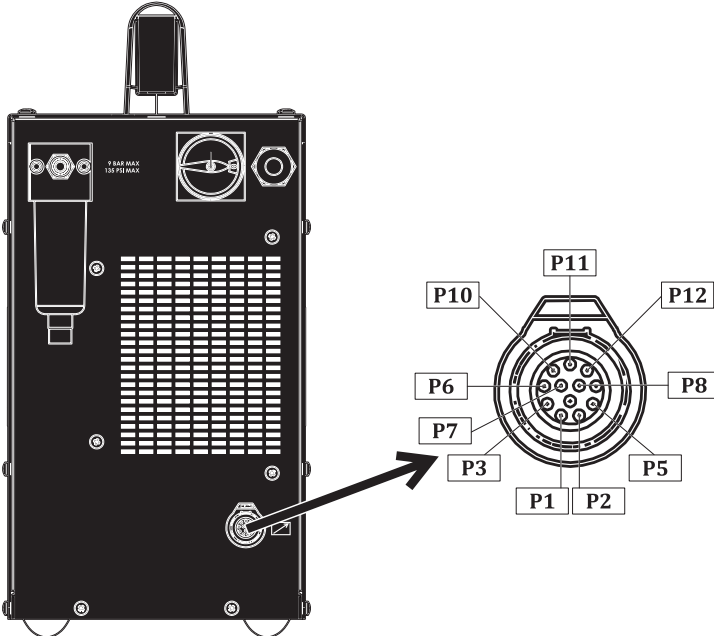
Er worden extra sockets en kaarten aan de machine toegevoegd. Hiermee wordt digitaal gecommuniceerd via Modbus.

In aanvulling op analoge communicatie;

- De stroom van de machine kan op afstand worden aangepast.
- De snijstroom en gasdruk kunnen op afstand worden aangepast aan de te snijden materialen.

- De machinemodus kan op afstand worden gewijzigd.
- Alle foutcodes op de machine kunnen naar de automatiseringsinterface worden verzonden. Hierdoor stopt de machine of wordt de operator gewaarschuwd.

De aansluitbussen voor de signalen die langs de interfacekabel van de machine moeten worden gebruikt, worden in de onderstaande afbeelding weergegeven. De tabel bevat informatie over de signalen. Als de voeding via de interfacekabel van de machine op de CNC-machine of toortshoogteregelaar moet worden aangesloten, moet de volgende tabel in acht worden genomen:

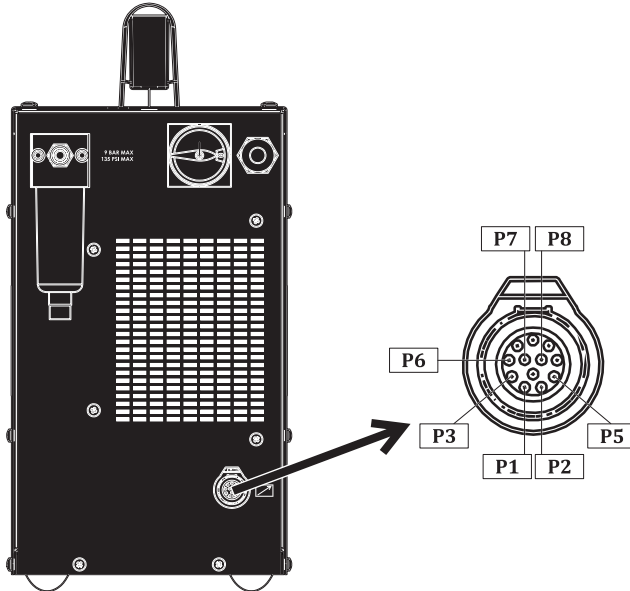


Naam aansluiting	Aansluitbus	Omschrijving
Starten (Trigger)	P5, P2	24 VDC open-circuit spanning is beschikbaar. Vereist een droog contact om te activeren.
Goedkeuring boog	P1, P3	Normaal geopend contact. Wanneer de plasmaboog tot stand komt, schakelt het contact over naar de gesloten stand. (Max : 220 VDC 2A)
Communiceren	P10 (A) P11 (B) P12 (GND)	ModBus
Spanningsdeler	P7 (+) P8 (-)	Maakt de uitgangsspanning van de machine geschikt voor het besturingssysteem. 20:1, 21.1:1, 30:1, 40:1, 50:1 gesplitste uitgang.
Aarde	P6	Voor de veiligheid van uw apparatuur is het aanbevolen om verbinding te maken met het aardingspunt van uw systeem.

2) Analoge communicatie

Werkt met een droge contactstructuur. De automatiseringseenheid stuurt een droog contact naar de plasmamachine om te werken, het plasma creëert een overgedragen boog. Nadat de plasmamachine de overgedragen boog heeft gecreëerd, stuurt deze een waarschuwing naar de automatiseringsunit met een droge contactstructuur. Zodra de machine begint te snijden, meldt de automatiseringsinterface de plasmaboogspanning voor hoogteaanpassing.

De aansluitbussen voor de signalen die langs de interfacekabel van de machine moeten worden gebruikt, worden in de onderstaande afbeelding weergegeven. De tabel bevat informatie over de signalen. Als de voeding via de interfacekabel van de machine op de CNC-machine of toortshoogteregelaar moet worden aangesloten, moet de volgende tabel in acht worden genomen:



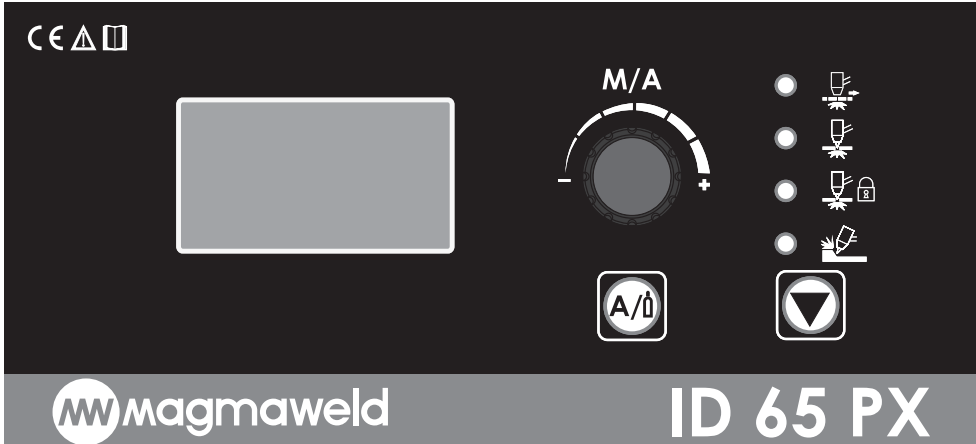
Naam aansluiting	Aansluitbus	Omschrijving
Starten (Trigger)	P5, P2	24 VDC open-circuit spanning is beschikbaar. Vereist een droog contact om te activeren.
Goedkeuring boog	P1, P3	Normaal geopend contact. Wanneer de plasmaboog tot stand komt, schakelt het contact over naar de gesloten stand. (Max : 220 VDC 2A)
Spanningsdeler	P7 (+) P8 (-)	Maakt de uitgangsspanning van de machine geschikt voor het besturingssysteem. 20:1, 21.1:1, 30:1, 40:1, 50:1 gesplitste uitgang.
Aarde	P6	Voor de veiligheid van uw apparatuur is het aanbevolen om verbinding te maken met het aardingspunt van uw systeem.



**De installatie van de interfacekabel voor de machine en de spanningsverdeler moet worden uitgevoerd door een erkend servicecentrum.
Het deksel over de interfacesleuf aan de achterkant van het apparaat moet gesloten blijven tegen stof en vocht wanneer het niet in gebruik is.**

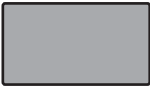




GEBRUIKSAANWIJZIGEN

3.1 Gebruikersinterface



MW magmaweld

ID 65 PX

	<p>Digitaal scherm De ingestelde lasroom, drukwaarden, drukgrafiek en foutcodes kunnen visueel worden gecontroleerd dankzij het digitale display.</p>
	<p>Snijmodi</p> <p> Rastersnijden</p> <p>Geschikt voor het snijden van materialen die respectievelijk uit metaal en onbewerkte stukken bestaan, zoals roosters. Als deze modus niet gebruikt wordt bij het snijden van geperforeerd materiaal zoals roosters, begint het snijden van het materiaal wanneer de geleidingsboog start, maar de geleidingsboog eindigt bij de eerste opening die het ziet. Wanneer de boog het metalen deel na de opening bereikt, dient de trekker losgelaten en nogmaals ingedrukt te worden zodat de boog verder kan gaan met snijden. Om deze werklast te elimineren, is er een rastersnijmodus gecreëerd die gebruikt kan worden in materialen van het rastertype. Wanneer u de toortstrekker indrukt in de rastersnijmodus, wordt de overgedragen boog gevormd en wordt het materiaal gesneden, de overgedragen boog wordt gesneden wanneer de opening wordt bereikt, en de overgedragen boog wordt geactiveerd wanneer het materiaal opnieuw wordt bereikt. Deze cyclus gaat door totdat u de trekker loslaat. Het snijproces eindigt wanneer u de trekker loslaat.</p> <p> Normaal snijden</p> <p>Wanneer u de trekker in de normale snijmodus indrukt, wordt de geleidingsboog gevormd en begint het snijproces. Zodra het werkstuk klaar is, gaat de vlamboog uit, zelfs als u de trekker niet loslaat. Als u de trekker midden in het materiaal loslaat, gaat de boog weer uit. Wanneer u de trekker opnieuw indrukt om verder te gaan met de bewerking, wordt de geleidingsboog hersteld.</p>
	<p>Toorts trekkerblokkering</p> <p>In deze modus wordt er de boog overgedragen zodra u de trekker indrukt. Na het starten van het snijproces kunt u uw hand van de trekker halen en doorgaan met het snijproces.</p>



Zodra het werkstuk klaar is (wanneer het een spleet ziet), gaat de vlamboog uit en wordt de modus gedeactiveerd. De modus wordt actief wanneer u de trekker opnieuw indrukt en begint met het snijden van het werkstuk. Deze modus maakt het bijzonder gemakkelijk om lange werkstukken te zagen zonder de vinger constant op de trekker te moeten houden.



Gutsen


Wanneer de gutsmethode in de automatische modus wordt geselecteerd, wordt de gasstroomsnelheid automatisch door de machine aangepast. Voor gutsen moeten de verbruiksmaterialen van de toorts worden vervangen in overeenstemming met de gutsmethode. Wanneer de trekker wordt ingedrukt, wordt de boog overgedragen. Het snijden gebeurt langs het werkstuk, wanneer het werkstuk klaar is of wanneer het een opening ziet, gaat de overgedragen boog uit en kunt u uw vinger van de trekker halen.

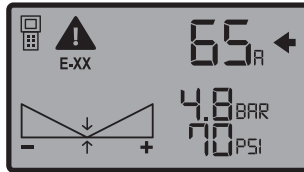
Instelpot (M/A: handmatige/automatische modus)


De machine start bij het inschakelen in de automatische modus, er wordt geen gasdrukgrafiek op het display weergegeven. In de automatische modus wordt de instelpot alleen gebruikt voor stroomafstelling. Door de pot naar links en rechts te draaien, wordt de gewenste stroomwaarde binnen bepaalde tolerantiebereiken ingesteld.

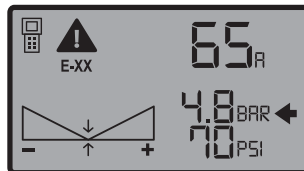
In de automatische modus past de voeding de gasinstelling zelf aan op basis van het toortstype en de lengte. Stelt automatisch de optimale gasdruk in. Het afstellen van de gasdruk door de voeding biedt zowel gemak als voorkomt dat gebruikers fouten maken bij het afstellen van de gasdruk.

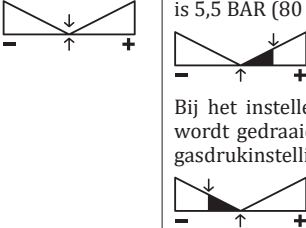



Om over te schakelen naar de handmatige modus drukt u 1 keer op de instelpot, op het display verschijnt de gasdrukgrafiek. In de handmatige modus worden stroom en gasdruk aangepast met de instelpot.

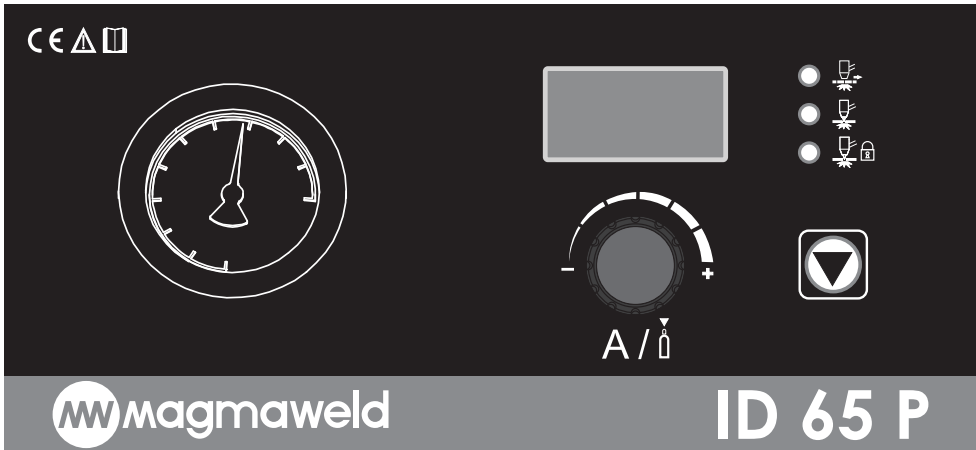
 Druk op de selectieknop Stroom / Gas en schakel over naar het tabblad Huidige instelling of Gasinstelling. Wanneer de stroomtab geselecteerd is, verschijnt er ernaast een pijl. Om de stroom in te stellen, wordt de gewenste stroomwaarde binnen bepaalde tolerantiebereiken ingesteld door de instelpot naar links en rechts te draaien. Als de pijlen in de gasdrukgrafiek in het midden staan, is de door de machine aanbevolen optimale waarde ingesteld.



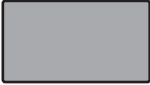




 Wanneer u op de knop Stroom / Gas drukt en naar het tabblad gasinstelling overschakelt, verschijnt er ernaast een pijl. De voeding past de gasdruk automatisch aan. De gebruiker kan dit echter binnen een bepaald tolerantiebereik aanpassen. Wanneer de instelpot naar rechts wordt gedraaid, zal de gasdruk toenemen en zal de gasdrukgrafiek naar rechts bewegen. Wanneer de instelpot naar links wordt gedraaid, zal de gasdruk afnemen en zal de gasdrukgrafiek naar links bewegen. De optimale instelling van de gasdruk volgens de ingestelde stroom is de waarde in het midden van de grafiek.



	<p>Gasdrukgrafiek Grafische weergave van gasdrukwaarde</p> <p>Als de grafiek leeg is, wordt de optimale gasdruk geselecteerd die door de voeding is ingesteld.</p> <p>Bij gasdrukregeling neemt de gasdruk toe als de instelpot naar rechts wordt gedraaid. Het rechter gebied in de grafiek begint zich te vullen. De maximale gasdrukinstelling is 5,5 BAR (80 PSI).</p> <p>Bij het instellen van de gasdruk neemt de gasdruk af als de instelpot naar links wordt gedraaid. Het linker gebied in de grafiek begint zich te vullen. De minimale gasdrukinstelling is 4,4 BAR (64 PSI).</p>
	<p>Knop voor stroom-/gasselectie Zorgt voor omschakeling naar stroom- en gasdrukwaarden in handmatige modus. Deze tabs worden aangepast met de instelpot.</p>
	<p>Foutcode Geeft foutsymbool en -code weer</p>
	<p>Op afstand verbinding maken Geeft aan dat de externe verbinding actief is</p>



NL

	<p>Digitaal scherm De ingestelde lasstroom, drukwaarden, drukgrafiek en foutcodes kunnen visueel worden gecontroleerd dankzij het digitale display.</p>
	<p>Snijmodi</p> <p> Rastersnijden Geschikt voor het snijden van materialen die respectievelijk uit metaal en onbewerkte stukken bestaan, zoals roosters. Als deze modus niet gebruikt wordt bij het snijden van geperforeerd materiaal zoals roosters, begint het snijden van het materiaal wanneer de geleidingsboog start, maar de geleidingsboog eindigt bij de eerste opening die het ziet. Wanneer de boog het metalen deel na de opening bereikt, dient de trekker losgelaten en nogmaals ingedrukt te worden zodat de boog verder kan gaan met snijden. Om deze werklust te elimineren, is er een rastersnijmodus gecreëerd die gebruikt kan worden in materialen van het rastertype. Wanneer u de toortstrekker indrukt in de rastersnijmodus, wordt de overgedragen boog gevormd en wordt het materiaal gesneden, de overgedragen boog wordt gesneden wanneer de opening wordt bereikt, en de overgedragen boog wordt geactiveerd wanneer het materiaal opnieuw wordt bereikt. Deze cyclus gaat door totdat u de trekker loslaat. Het snijproces eindigt wanneer u de trekker loslaat.</p> <p> Normaal snijden Wanneer u de trekker in de normale snijmodus indrukt, wordt de geleidingsboog gevormd en begint het snijproces. Zodra het werkstuk klaar is, gaat de vlamboog uit, zelfs als u de trekker niet loslaat. Als u de trekker midden in het materiaal loslaat, gaat de boog weer uit. Wanneer u de trekker opnieuw indrukt om verder te gaan met de bewerking, wordt de geleidingsboog hersteld.</p> <p> Toorts trekkerblokkering In deze modus wordt er de boog overgedragen zodra u de trekker indrukt. Na het starten van het snijproces kunt u uw hand van de trekker halen en doorgaan met het snijproces. Zodra het werkstuk klaar is (wanneer het een spleet ziet), gaat de vlamboog uit en wordt de modus gedeactiveerd. De modus wordt actief wanneer u de trekker opnieuw indrukt en begint met het snijden van het werkstuk. Deze modus maakt het bijzonder gemakkelijk om lange werkstukken te zagen zonder de vinger constant op de trekker te moeten houden.</p>

	<p>Instelpot AA: Stroomaanpassing / i Gasaanpassing</p> <p>Om de stroom in te stellen, wordt de gewenste stroomwaarde binnen bepaalde tolerantiebereiken ingesteld door de instelpot naar links en rechts te draaien.</p>  <p>Om over te schakelen naar de gasinstelling, drukt u 1 keer op de instelpot. De machine schakelt over naar de modus voor vrij gas, de manometer  geeft ongeveer 4,2 bar aan. Wanneer u de gasdrukregelpot bovenop het luchtfilter naar boven trekt en in de vrije stand draait, kunt u de druk verhogen/verlagen door deze naar rechts/links te draaien.</p>
	<p>Manometer</p> <p>Geeft de druk in de toorts aan.</p>

3.2 Gebruik van de toorts

Duw tijdens het snijden de beschermkap op de toortstrekker naar voren en druk de toortstrekker in. Zodra de trekker van de toorts wordt ingedrukt, wordt er een plasmaboog gegenereerd. De toortspunt moet langzaam langs het te snijden materiaal worden bewogen om een gladde snede te garanderen. Wanneer de automatiseringstoorts is aangesloten, detecteert de machine de automatiseringstoorts en wacht op een trigger van de automatiseringsinterface. Stuurt de benodigde gegevens naar de automatiseringsinterface. Zie 5.1 voor gedetailleerde informatie over toortsen.



De triggertrekker van de toorts is actief wanneer de voeding wordt ingeschakeld. U moet ervoor zorgen dat uw hand niet in de weg zit van de snijlijn.

Houd het werkstuk niet in uw hand en richt de toorts niet op uzelf of iemand anders.



ONDERHOUDS- EN STORINGSINFORMATIE

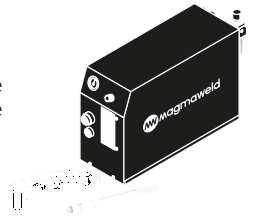
- Onderhoud en reparaties aan het apparaat moeten worden uitgevoerd door bevoegde personen. Ons bedrijf is niet verantwoordelijk voor ongevallen die veroorzaakt worden door ingrepen van onbevoegde personen.
- U kunt de onderdelen die u tijdens de reparatie gebruikt bij onze geautoriseerde diensten verkrijgen. Het gebruik van originele reserveonderdelen verlengt de levensduur van uw apparaat en voorkomt prestatieverlies.
- Neem altijd contact op met de fabrikant of een door de fabrikant aangegeven erkende werkplaats.
- Elke poging die tijdens de garantieperiode niet door de fabrikant is goedgekeurd, maakt alle garantiebepalingen ongeldig.
- Neem tijdens onderhouds- en reparatiewerkzaamheden altijd de geldende veiligheidsvoorschriften in acht.
- Voordat er reparatiewerkzaamheden aan de machine worden uitgevoerd, moet u de stekker uit het stopcontact trekken en 10 seconden wachten tot de condensatoren ontladen zijn.

4.1 Onderhoud



Dagelijks onderhoud

- Controleer de verbruiksmaterialen op de toorts regelmatig en vervang ze als ze versleten of beschadigd zijn. Zorg ervoor dat deze materialen originele producten zijn voor langdurig gebruik en hoge prestaties.

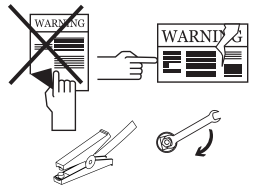


NL



Elke 3 maanden

- Verwijder de waarschuwingslabels op de machine niet. Vervang versleten/gescheurde labels door nieuwe. U kunt de labels bij de geautoriseerde service verkrijgen.
- Controleer uw tangen en kabels. Let op de verbindingen en de stabiliteit van de onderdelen.
- Vervang beschadigde/defecte onderdelen door nieuwe. Breng geen splitsingen/reparaties aan in de kabels.
- Zorg voor voldoende ventilatieruimte.



Elke 6 maanden

- Reinig verbindingsonderdelen zoals bouten en moeren en draai ze vast. Controleer de aardklemkabels. Open de zijkappen van de machine en reinig deze met droge lucht onder lage druk of een stofzuiger. Gebruik geen perslucht van dichtbij op elektronische onderdelen.
- Zorg ervoor dat het luchtfilter schoon is. Vervang door een nieuwe als deze vervuild is.



OPMERKING: De hierboven vermelde perioden zijn de maximale perioden die moeten worden toegepast als er zich geen problemen voordoen met uw apparaat. Afhankelijk van de intensiteit en vervuiling van uw werkomgeving kunt u de bovenstaande handelingen vaker herhalen.



Snijdt nooit met de kleppen van de plasmasnijder open.

4.2 Problemen oplossen

In de onderstaande tabellen worden mogelijke fouten en oplossingsuggesties vermeld.

Storing	Oorzaak	Oplossing
Machine werkt niet	<ul style="list-style-type: none"> • Probleem met de elektrische aansluiting van de machine 	<ul style="list-style-type: none"> • Controleer of de machine op het stroomnet is aangesloten • Als het probleem aanhoudt, neem dan contact op met de erkende serviceafdeling
	<ul style="list-style-type: none"> • Defecte netaansluitingen 	<ul style="list-style-type: none"> • Controleer of de aansluitingen op het stroomnet in orde zijn • Als het probleem aanhoudt, neem dan contact op met de erkende serviceafdeling
	<ul style="list-style-type: none"> • Netzekering defect of netkabel beschadigd 	<ul style="list-style-type: none"> • Controleer de zekeringen van de netvoeding, het netsnoer en de stekker • Als het probleem aanhoudt, neem dan contact op met de erkende serviceafdeling
	<ul style="list-style-type: none"> • Aan/uit-schakelaar werkt niet goed 	<ul style="list-style-type: none"> • Controleer de aan/uit-schakelaar • Als het probleem aanhoudt, neem dan contact op met de erkende serviceafdeling
De machine werkt, maar snijdt niet	<ul style="list-style-type: none"> • De luchtdruk en het debiet zijn mogelijk ongeschikt 	<ul style="list-style-type: none"> • Controleer de luchtdruk en de luchtkwaliteit. Zorg ervoor dat de luchtdruk en het debiet geschikt zijn en dat de lucht droog en schoon is • Als het probleem aanhoudt, neem dan contact op met de erkende serviceafdeling
	<ul style="list-style-type: none"> • De netspanning is mogelijk niet geschikt 	<ul style="list-style-type: none"> • Controleer of de netspanning die naar de machine wordt geleverd geschikt is • Als het probleem aanhoudt, neem dan contact op met de erkende serviceafdeling
	<ul style="list-style-type: none"> • De aardingstang mag niet worden aangesloten op het werkstuk of de machine 	<ul style="list-style-type: none"> • Zorg ervoor dat de aardtang is aangesloten op het werkstuk en de machine. Reinig het gebied waar de aardtang het werkstuk raakt • Controleer of de aardkleem niet beschadigd is • Als het probleem aanhoudt, neem dan contact op met de erkende serviceafdeling
	<ul style="list-style-type: none"> • De toorts en/of verbruiksmaterialen kunnen versleten of beschadigd zijn 	<ul style="list-style-type: none"> • Controleer of de toorts en/of verbruiksmaterialen niet versleten of beschadigd zijn, vervang deze indien nodig • Als het probleem aanhoudt, neem dan contact op met de erkende serviceafdeling

Storing	Oorzaak	Oplossing
De machine werkt, maar snijdt niet	<ul style="list-style-type: none"> • Boog wordt niet overgedragen op het werkstuk 	<ul style="list-style-type: none"> • Zorg ervoor dat het werkstukoppervlak schoon en vrij van verf is • Zorg ervoor dat de afstand van de toorts tot het werkstuk geschikt is • Als het probleem aanhoudt, neem dan contact op met de erkende serviceafdeling
	<ul style="list-style-type: none"> • Luchtdruk en debiet zijn mogelijk niet geschikt, luchtfilterelementen kunnen vervuild zijn 	<ul style="list-style-type: none"> • Controleer de luchtdruk en de luchtkwaliteit. Zorg ervoor dat de luchtdruk en het debiet geschikt zijn en dat de lucht droog en schoon is • Als het probleem aanhoudt, neem dan contact op met de erkende serviceafdeling
	<ul style="list-style-type: none"> • De toorts en/of verbruiksmaterialen kunnen versleten of beschadigd zijn 	<ul style="list-style-type: none"> • Controleer of de toorts en/of verbruiksmaterialen niet versleten of beschadigd zijn en vervang ze indien nodig • Als het probleem aanhoudt, neem dan contact op met de erkende serviceafdeling
	<ul style="list-style-type: none"> • De toorts en/of verbruiksmaterialen zijn mogelijk verkeerd of niet correct geplaatst 	<ul style="list-style-type: none"> • Controleer of de toorts en/of verbruiksmaterialen correct worden gebruikt en geïnstalleerd • Als het probleem aanhoudt, neem dan contact op met de erkende serviceafdeling
	<ul style="list-style-type: none"> • Mogelijk is de snijmodus onjuist geselecteerd 	<ul style="list-style-type: none"> • Controleer of de snijmodus juist is • Als het probleem aanhoudt, neem dan contact op met de erkende serviceafdeling
	<ul style="list-style-type: none"> • De gebruikte stroomsterkte is mogelijk onjuist geselecteerd 	<ul style="list-style-type: none"> • Selecteer de stroomsterkte die geschikt is voor het te snijden materiaal (materiaaldikte en -type) • Als het probleem aanhoudt, neem dan contact op met de erkende serviceafdeling
	<ul style="list-style-type: none"> • De snijsnelheid en dikte die geschikt zijn voor de prestaties van de machine kunnen overschreden zijn 	<ul style="list-style-type: none"> • Zorg ervoor dat de snijsnelheid en snijdikte geschikt zijn • Als het probleem aanhoudt, neem dan contact op met de erkende serviceafdeling
	<ul style="list-style-type: none"> • De hoogte of hoek van de toorts ten opzichte van het werkstuk kan onjuist zijn 	<ul style="list-style-type: none"> • Zorg ervoor dat de hoogte en de hoek van de toorts ten opzichte van het werkstuk correct zijn • Als het probleem aanhoudt, neem dan contact op met de erkende serviceafdeling
	<ul style="list-style-type: none"> • De snijrichting kan onjuist zijn 	<ul style="list-style-type: none"> • Controleer of de snijrichting juist is • Als het probleem aanhoudt, neem dan contact op met de erkende serviceafdeling

4.3 Foutcodes

Hieronder staan alle foutcodes voor alle machines. Let op de foutcodes voor uw machine.

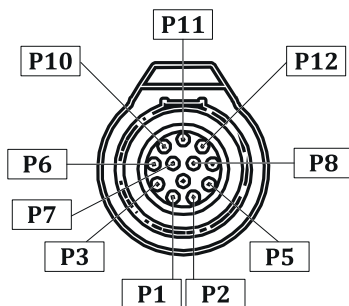
Foutcode	Fout	Oorzaak	Oplossing
E01	Thermische beveiliging (primaïr)	<ul style="list-style-type: none"> Uw machine heeft mogelijk de activeringsfrequentie overschreden 	<ul style="list-style-type: none"> Wacht even om de machine te laten afkoelen Als de storing verdwijnt, probeer dan lagere stroomsterktes te gebruiken Als het probleem aanhoudt, neem dan contact op met de erkende serviceafdeling
		<ul style="list-style-type: none"> Ventilator is mogelijk niet actief 	<ul style="list-style-type: none"> Controleer handmatig of de ventilator werkt of niet Als het probleem aanhoudt, neem dan contact op met de erkende serviceafdeling
		<ul style="list-style-type: none"> Luchtinlaat- en luchtuitlaatkanalen kunnen geblokkeerd zijn 	<ul style="list-style-type: none"> Open de voorkant van de ventilatiekanalen Als het probleem aanhoudt, neem dan contact op met de erkende serviceafdeling
		<ul style="list-style-type: none"> De werkomgeving van de machine kan te heet zijn of is niet goed geventileerd 	<ul style="list-style-type: none"> Zorg ervoor dat de werkomgeving van de machine niet te warm of onvoldoende geventileerd is Als het probleem aanhoudt, neem dan contact op met de erkende serviceafdeling
E02	Netspanning laag	<ul style="list-style-type: none"> De netspanning is mogelijk gedaald 	<ul style="list-style-type: none"> De netspanning is mogelijk gestegen Zorg voor een juiste spanningsingang Als de netspanning normaal is, neem dan contact op met de erkende serviceafdeling
E03	Netspanning hoog	<ul style="list-style-type: none"> De netspanning kan worden verhoogd 	<ul style="list-style-type: none"> De netspanning is mogelijk gestegen Zorg voor een juiste spanningsingang Als de netspanning normaal is, neem dan contact op met de erkende serviceafdeling
E04	Stroom-/spanningsfout	<ul style="list-style-type: none"> Er kan sprake zijn van storing in de hardware 	<ul style="list-style-type: none"> Neem contact op met de erkende service
E05	Fout bij het aflezen van de temperatuursensor	<ul style="list-style-type: none"> Er kan sprake zijn van storing in de hardware 	<ul style="list-style-type: none"> Neem contact op met de erkende service
E06	Fout in waterkoeleenheid	<ul style="list-style-type: none"> Waterkoeleenheid is mogelijk defect 	<ul style="list-style-type: none"> Controleer de connector van de waterkoeleenheid en de in- en uitgangen van de toorts Zorg voor watercirculatie Als het probleem aanhoudt, neem dan contact op met de erkende serviceafdeling
E07	Systeemfout	<ul style="list-style-type: none"> Er kan sprake zijn van storing in de hardware 	<ul style="list-style-type: none"> Neem contact op met de erkende service
E08			
E09			

Foutcode	Fout	Oorzaak	Oplossing
E10	Fout bij toortsverbinding	<ul style="list-style-type: none"> De toorts en toortsaansluitingen zijn mogelijk defect 	<ul style="list-style-type: none"> Controleer de toorts en toortsaansluitingen Als het probleem aanhoudt, neem dan contact op met de erkende serviceafdeling
E11	Systeemfout	<ul style="list-style-type: none"> Er kan sprake zijn van storing in de hardware 	<ul style="list-style-type: none"> Neem contact op met de erkende service
E12			
E13	Fout draadaandrijfheid	<ul style="list-style-type: none"> Er kan een fout zijn in de draadaandrijving 	<ul style="list-style-type: none"> Controleer de draadkorf, spoel/ spoeldruk en toortsaansluitingen Als het probleem aanhoudt, neem dan contact op met de erkende serviceafdeling
E14	Systeemfout	<ul style="list-style-type: none"> Er kan sprake zijn van storing in de hardware 	<ul style="list-style-type: none"> Neem contact op met de erkende service
E15	Communicatiefout afstandsbediening	<ul style="list-style-type: none"> De aansluitingen van de afstandsbediening zijn mogelijk defect 	<ul style="list-style-type: none"> Controleer de aansluitingen van de afstandsbediening Als het probleem aanhoudt, neem dan contact op met de erkende serviceafdeling
E16	Systeemfout	<ul style="list-style-type: none"> Er kan sprake zijn van storing in de hardware 	<ul style="list-style-type: none"> Neem contact op met de erkende service
E17			
E18			
E19	Thermische beveiliging (secundair)	<ul style="list-style-type: none"> Uw machine heeft mogelijk de activeringsfrequentie overschreden 	<ul style="list-style-type: none"> Wacht even om de machine te laten afkoelen. Als de storing verdwijnt, probeer dan lagere stroomsterktes te gebruiken Als het probleem aanhoudt, neem dan contact op met de erkende serviceafdeling
		<ul style="list-style-type: none"> Ventilator is mogelijk niet actief 	<ul style="list-style-type: none"> Controleer handmatig of de ventilator werkt of niet Als het probleem aanhoudt, neem dan contact op met de erkende serviceafdeling
		<ul style="list-style-type: none"> De luchttoevoer- en luchtafvoerkanalen kunnen geblokkeerd zijn 	<ul style="list-style-type: none"> Open de voorkant van de ventilatiekanalen Als het probleem aanhoudt, neem dan contact op met de erkende serviceafdeling
		<ul style="list-style-type: none"> De werkomgeving van de machine kan te heet zijn of is niet goed geventileerd 	<ul style="list-style-type: none"> Zorg ervoor dat de werkomgeving van de machine niet te warm of onvoldoende geventileerd is Als het probleem aanhoudt, neem dan contact op met de erkende serviceafdeling
E20	Systeemfout	<ul style="list-style-type: none"> Er kan sprake zijn van storing in de hardware 	<ul style="list-style-type: none"> Neem contact op met de erkende service
E21			
E22			
E23			

Foutcode	Fout	Oorzaak	Oplossing
E26	Toevoerdruk laag	<ul style="list-style-type: none"> De inlaatdruk kan laag zijn 	<ul style="list-style-type: none"> Controleer uw lucht-/ gasaansluitingen en zorg ervoor dat de inlaatdruk goed is. Als de inlaatdruk normaal is, neem dan contact op met de erkende serviceafdeling
E27	Toortsbehuizing niet geïnstalleerd	<ul style="list-style-type: none"> De toortsbescherming is mogelijk niet gemonteerd of niet goed bevestigd 	<ul style="list-style-type: none"> Controleer of de beschermkap van de toorts correct is aangebracht Als het probleem aanhoudt, neem dan contact op met de erkende serviceafdeling
E28	Systeemfout	<ul style="list-style-type: none"> Er kan sprake zijn van storing in de hardware 	<ul style="list-style-type: none"> Neem contact op met de erkende service
E29	DC-busspanning laag	<ul style="list-style-type: none"> De netspanning is mogelijk gedaald 	<ul style="list-style-type: none"> De netspanning is mogelijk gestegen Zorg voor de juiste spanningsingang Als de netspanning normaal is, neem dan contact op met de erkende serviceafdeling
E30	DC -busspanning hoog	<ul style="list-style-type: none"> De netspanning kan worden verhoogd 	<ul style="list-style-type: none"> De netspanning is mogelijk gestegen Zorg voor de juiste spanningsingang Als de netspanning normaal is, neem dan contact op met de erkende serviceafdeling
E31	Systeemfout	<ul style="list-style-type: none"> Er kan sprake zijn van storing in de hardware 	<ul style="list-style-type: none"> Neem contact op met de erkende service

BIJLAGEN

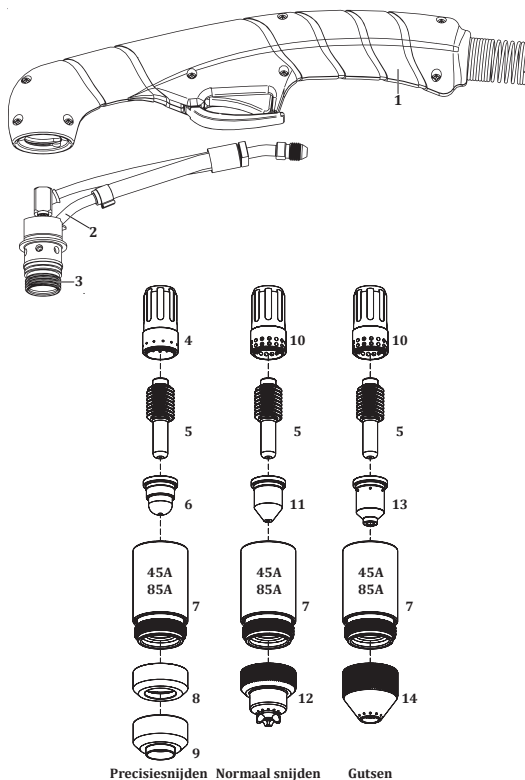
5.1 Aansluitschema voor geautomatiseerd plasmasnijden



Vooraanzicht

PIN NO	KABEL	NAAM VERBINDING	TOELICHTING
1	Geel	Goedkeuring boog	Normaal geopend contact. Wanneer de plasmaboog tot stand komt, schakelt het contact over naar de gesloten stand. (Max: 220 VDC 2A)
3	Bruin		
2	Groen	Starten (Trigger)	24 VDC open-circuit spanning is beschikbaar. Vereist een droog contact om te activeren.
5	Wit		
6	Schild	Aarde	Voor de veilige werking van uw apparatuur raden wij u aan deze aan te sluiten op het aardingspunt van uw systeem.
7	Rood	Vo (+)	Maakt de uitgangsspanning van de machine geschikt voor het besturingssysteem. 20:1, 21.1:1, 30:1, 40:1, 50:1 gesplitste uitgang.
8	Zwart	Vo (-)	
10	Grijs	ModBus A	ModBUS-RTU / 19200bps / 8N1 (deze functie is alleen geldig voor het PCA-model).
11	Roze	ModBus B	
12	Blauw	ModBus GND	

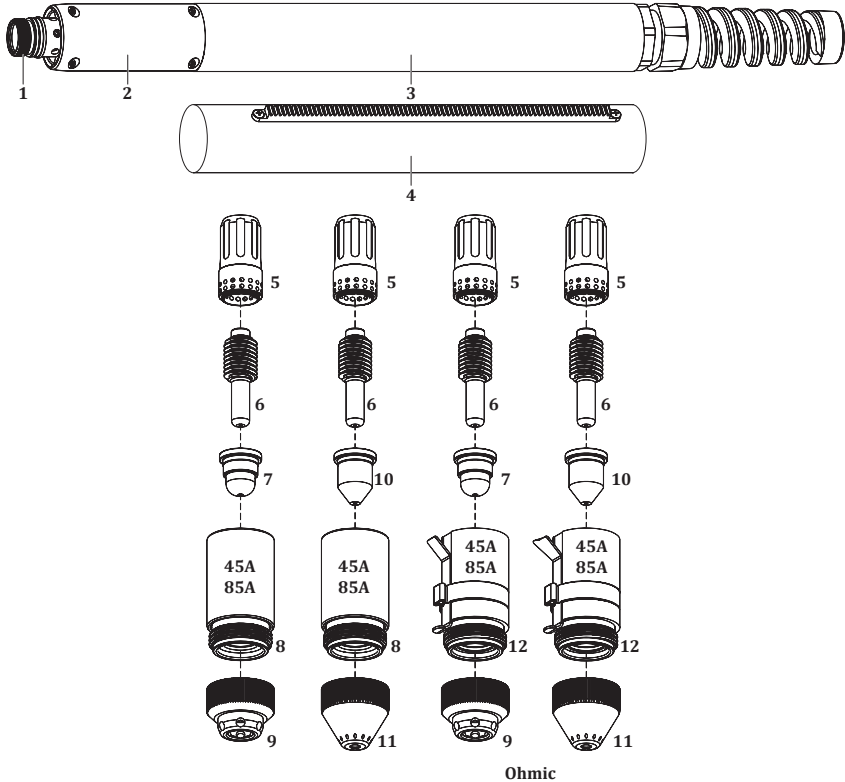
5.2 Verbruiksmaterialen en reserveonderdelen voor handbranders



Precisiesnijden Normaal snijden Gutsen

NO	BESCHRIJVING	MATERIAAL CODE
1	Handvat voor toorts	Y542000019
2	Toortskop	Y542000016
3	O-Ring	Y542000018
4	Werveling	7042220947
5	Elektrode	7042E00001
6	Mondstuk	7042220930
7	Beschermkap	7042220854
8	Beschermingsmaterialen	7042220955
9	Beschermingsmaterialen	7042220931
10	Werveling (standaard)	7042220857
11	Mondstuk	7042220819
12	Beschermingsmaterialen	7042220818
13	Mondstuk	70422208NG
14	Beschermingsmaterialen	70422209SG

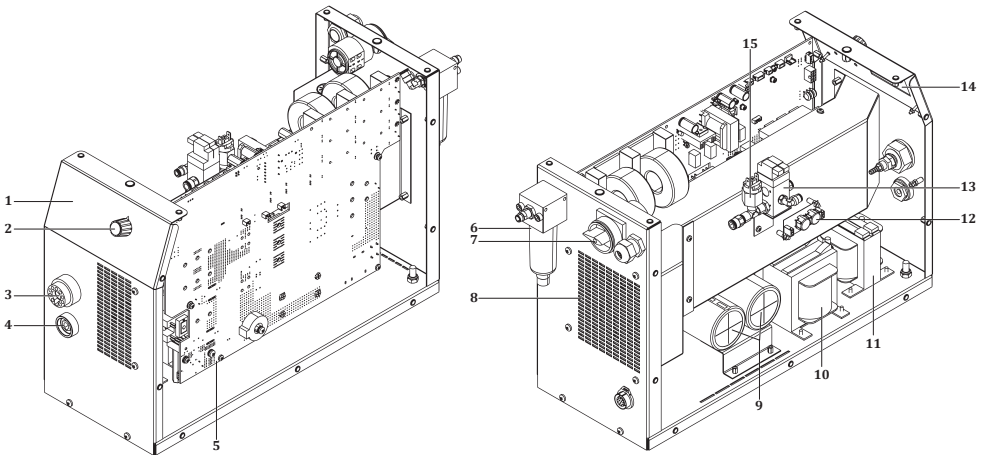
5.3 Verbruiksmaterialen en reserveonderdelen voor gemechaniseerde toorts



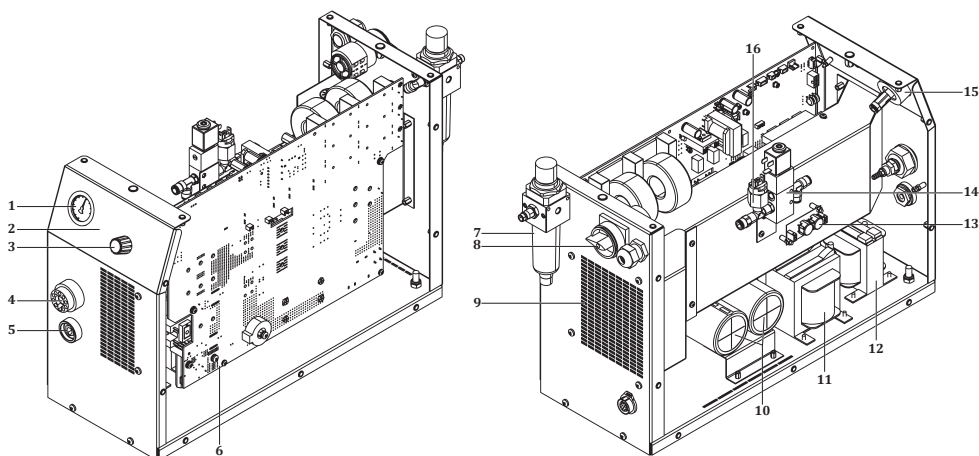
NO	BESCHRIJVING	MATERIAAL CODE
1	O-Ring	Y542000018
2	Toortskop	Y542000017
3	Onderdeel voor positionering van toorts (standaard)	Y542000020
4	Onderdeel voor positionering van toorts	7942000010
5	Wervelring (standaard)	7042220857
6	Elektrode	7042E00001
7	Mondstuk	7042220930
8	Beschermkap	7042220854
9	Beschermingsmaterialen	7042220948
10	Mondstuk	7042220819
11	Beschermingsmaterialen	7042220817
12	Mondstuk	7042220953

5.4 Lijst met reserveonderdelen voor plasmasnijmachines

ID 65 PX



NO	BESCHRIJVING	ID 65 PX
1	Membraan Label	K109900170
2	Potknop	A229500001
3	Aansluiting plasmatoorts	K309000033
4	Lasmof	A377900103
5	Elektronische printplaat E230A-1 V2.3	K405000330
6	Filter	A256001242
7	Pako-schakelaar	A308000017
8	Fan	A250001141
9	Elektrolytische condensator	A420200016
10	Stroomtransformator	A366000034
11	Schokspoel	A421050007
12	Elektronische printplaat E230A-4 V1.0	K405000327
13	Klep	A253003050
14	Elektronische printplaat E230A-2 V1.3	K405000329
15	Drukschakelaar	A253001150

ID 65 P

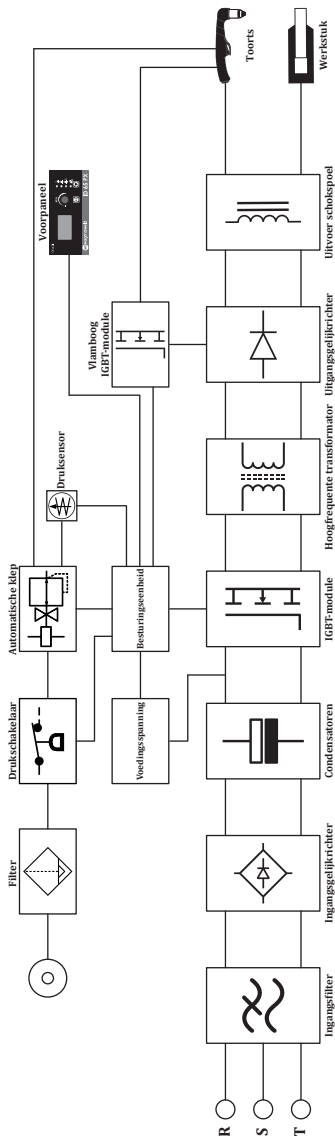
NL

NO	BESCHRIJVING	ID 65 P
1	Manometer	A827000017
2	Membraan Label	K109900171
3	Potknop	A229500001
4	Aansluiting plasmatoorts	K309000033
5	Lasmof	A377900103
6	Elektronische printplaat E230A-1 V2.3	K405000330
7	Filter	A256001240
8	Pako-schakelaar	A308000017
9	Fan	A250001141
10	Elektrolytische condensator	A420200016
11	Stroomtransformator	A366000034
12	Schokspoel	A421050007
13	Elektronische printplaat E230A-4 V1.0	K405000327
14	Klep	A253001151
15	Elektronische printplaat E230A-1 V1.1	K405000328
16	Drukschakelaar	A253001150

5.5 Bedradingschema's

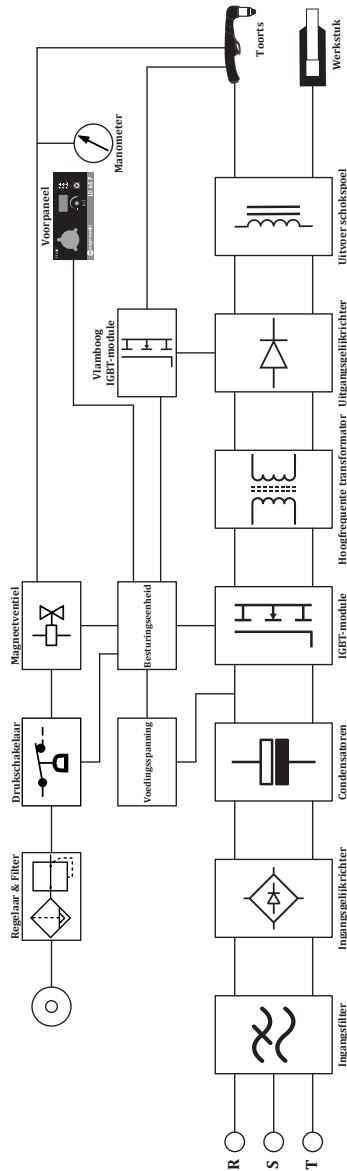
Blokdiagram

ID 65 PX



NL

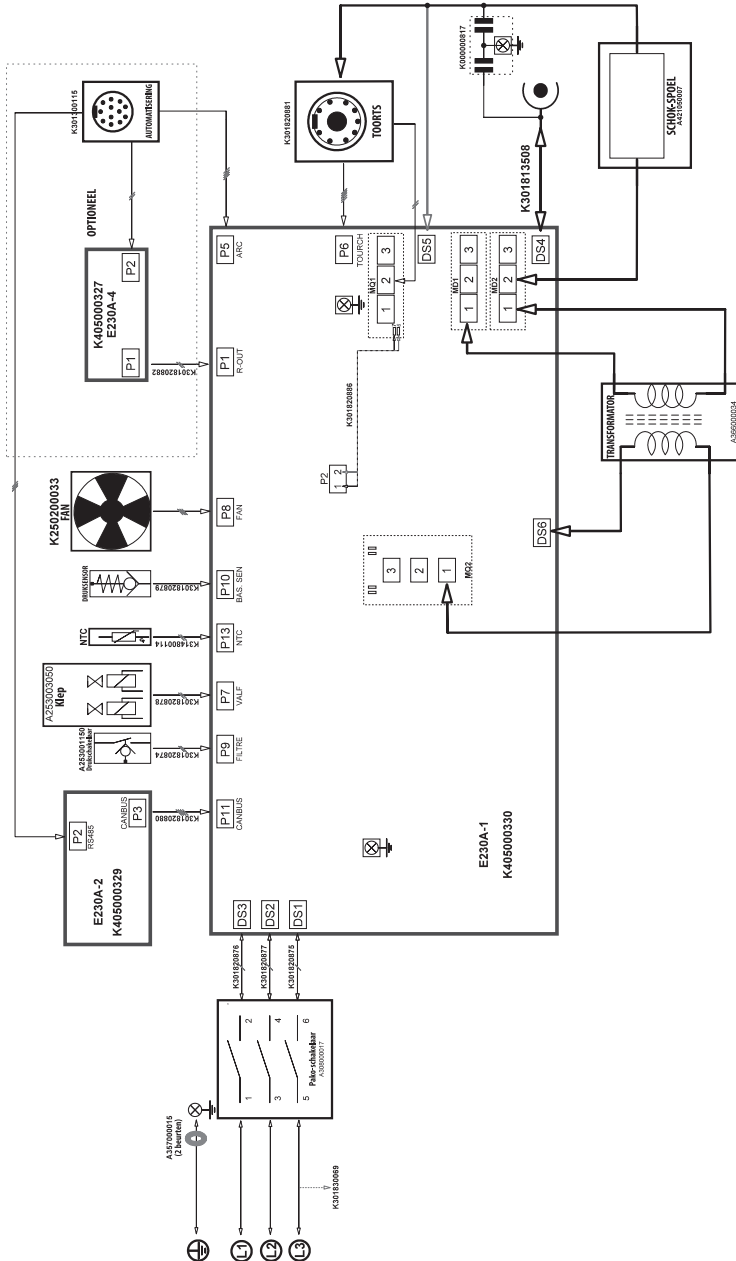
ID 65 P



NL

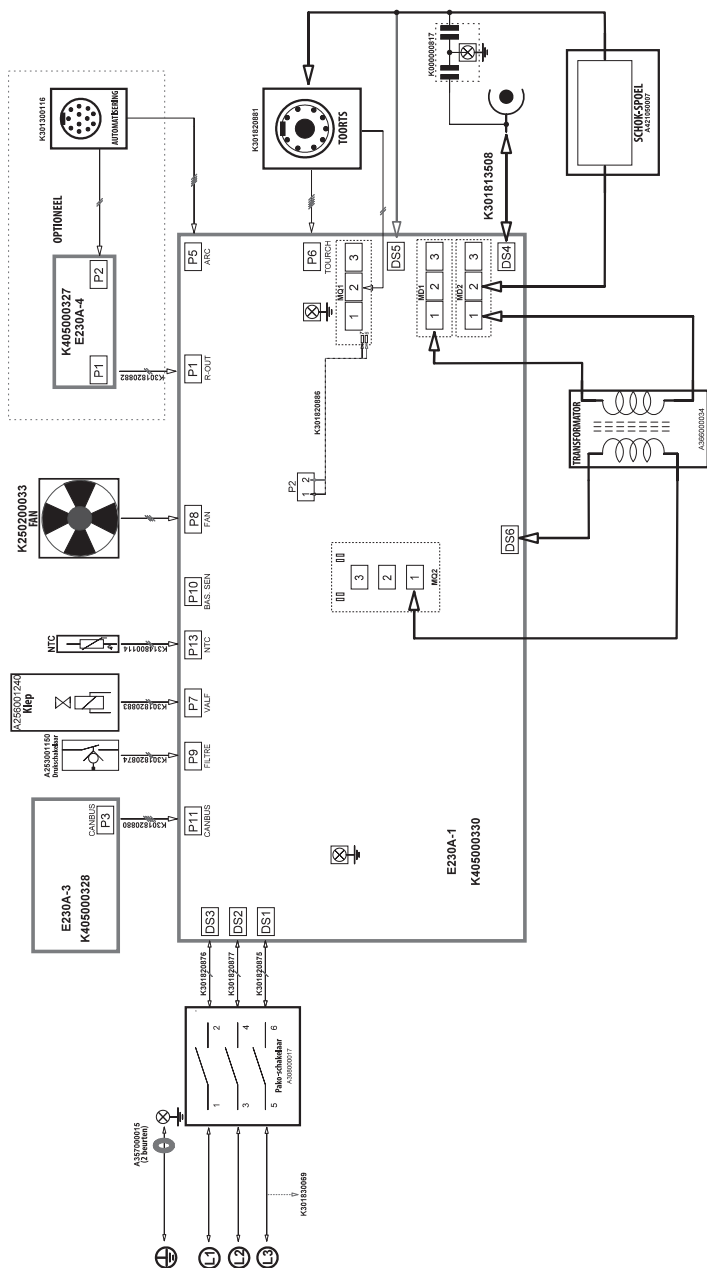
Schakelschema's

ID 65 PX



NL

ID 65 P



NL

PRODUCTINFORMATIE**Model****Serienummer****FABRIKANT****Naam**

MAGMA MEKATRONİK MAKİNE SANAYİ VE TİCARET A.Ş.

Adres

Organize Sanayi Bölgesi 5. Kısım MANİSA

Telefoon / E-mail

+90 236 226 27 00 / info@magmaweld.com

AANKOOPINFORMATIE**Naam dealer****Stad / Land****Telefoon / E-mail****Aankoopdatum****KLANTINFORMATIE****Bedrijfsnaam****Stad / Land****Telefoon / E-mail****Naam contactpersoon****DIENSTINFORMATIE (indien van toepassing)****Bedrijfsnaam****Naam technicus****Datum inbedrijfstelling**
(Startdatum garantie)

Bezoek onze website www.magmaweld.com/warranty-terms/wt voor
garantievoorwaarden.

المحتويات

246	قواعد السلامة	
	المعلومات التقنية	1
251	الأوصاف العامة	1.1
251	مكونات الآلة	1.2
253	ملصق المنتج	1.3
254	المواصفات الفنية	1.4
254	الملحقات	1.5
	معلومات التثبيت	2
255	الأمر التي يجب مراعاتها عند التسليم	2.1
255	توصيات التثبيت والتشغيل	2.2
256	توصيل قابس الكهرباء	2.3
256	التوصيل بالتيار الكهربائي	2.4
256	وصلات لقطع البلازما	2.5
256	توصيلات الغاز	2.5.1
256	وصلات كمامة التآريض	2.5.2
257	وصلات الشعلة	2.5.3
257	وضع المواد الاستهلاكية	2.6
258	القوس الطيار	2.7
258	جهاز التحكم عن بعد	2.8
	معلومات الإستخدام	3
261	واجهة المستخدم	3.1
265	استخدام الشعلة	3.2
	معلومات الصيانة والأعطال	4
266	الصيانة	4.1
267	استكشاف الأخطاء وإصلاحها	4.2
269	رموز الأخطاء	4.3
	المرفقات	5
272	مخطط توصيلات التشغيل الآلي لقطع البلازما	5.1
273	مستهلكات الشعلة اليدوية وقطع الغيار	5.2
274	مستهلكات الشعلة الآلية وقطع الغيار	5.3
275	قائمة قطع غيار ماكينة قطع البلازما	5.4
277	مخططات التوصيل	5.5

قواعد السلامة



اتبع جميع قواعد السلامة المدرجة في الدليل!

- التعرف بمعلومات السلامة
- تُستخدم رموز السلامة في الدليل لتحديد المخاطر المحتملة.
- عند ظهور أي رمز سلامة في هذا الدليل، يجب أن يكون مفهوماً أنَّ هناك خطر حدوث إصابة ويجب تجنب المخاطر المحتملة من خلال قراءة التفسيرات التالية بعناية.
- يكون مالك الآلة مسؤولاً عن منع الأشخاص غير المصرح لهم من الوصول إلى الجهاز.
- يجب أن يكون الأشخاص الذين يستخدمون الآلة من ذوي الخبرة أو مدربين تدريباً كاملاً في اللحام / القطع. يجب قراءة دليل المستخدم واتباع تحذيرات السلامة قبل العمل.



التعريف برموز السلامة

- **احذر** يشير إلى موقف يحتمل أن يكون خطيراً قد يؤدي إلى إصابة أو تلف. إذا لم يتم اتخاذ أي إجراء، فقد يتسبب ذلك في إصابة أو خسارة / ضرر مادي.
- **هام** يشير إلى معلومات وتحذيرات الاستخدام.
- **خطر** يشير إلى خطر جسيم. إذا لم يتم تجنبه، فقد يؤدي ذلك إلى الوفاة أو إصابة خطيرة.

- فهم تحذيرات السلامة اقرأ دليل المستخدم والملصقات وتحذيرات السلامة الموجودة على الجهاز بعناية. تأكد من أنَّ ملصقات التحذير الموجودة على الجهاز في حالة جيدة. استبدل الملصقات المفقودة أو التالفة. تعرف على كيفية تشغيل الجهاز وكيفية عمل الضوابط بشكل صحيح. استخدم جهازك في بيئات عمل مناسبة. ستؤثر التغييرات غير الملائمة التي يمكن إجراؤها على جهازك سلبيًا من ناحية التشغيل الآمن للجهاز وعمره. الشركة المصنعة غير مسؤولة عن عواقب تشغيل الجهاز خارج الشروط المحددة.

يمكن للصدّات الكهربائية أن تسبب الموت



- تأكد من أنَّ إجراءات التثبيت تتوافق مع المعايير الكهربائية الوطنية واللوائح الأخرى ذات الصلة، وقم بتثبيت الجهاز بواسطة أشخاص معتمدين.
- إرتدي قفازات ومريول عمل جاف ومعزول جيدًا. لا تستخدم أبدًا قفازات ومريول عمل مبللة أو تالفة.
- إرتد ملابس واقية مقاومة للهب ضد مخاطر الاحتراق. يجب أن تكون الملابس التي يستخدمها المشغل واقية من الشرر والتناثر وإشعاع القوس.
- لا تعمل مفردك. في حالة وجود خطر، تأكد من وجود شخص ما في المنطقة التي تعمل معها للإبلاغ عن أي حادث.
- لا تلمس القطب الكهربائي بيديك. لا تسمح لحامل القطب الكهربائي أو القطب الكهربائي بالتلامس مع أي شخص أو جسم مؤرض.
- لا تلمس أبدًا الأجزاء الناقلة للكهرباء.
- إذا كنت على اتصال بقطب كهربائي متصل بسطح عمل أو بأرضية أو بألة أخرى، فلا تلمس القطب الكهربائي مطلقاً.
- يمكنك حماية نفسك من الصدمات الكهربائية المحتملة عن طريق عزل نفسك عن سطح العمل والأرضية. استخدم مادة عازلة غير قابلة للاحتراق، عازلة كهربائيًا، جافة، غير تالفة، وكبيرة بما يكفي لقطع اتصال المشغل بسطح العمل.
- لا تقم بتوصيل أكثر من قطب كهربائي واحد بحامل القطب.
- قم بتوصيل كمامة التاريز بقطعة العمل أو طاولة العمل في أقرب وقت ممكن لضمان اتصال جيد بين المعدن إلى المعدن.
- افحص الشعلة قبل تشغيل الجهاز. تأكد من أن الشعلة وكابلاتها في حالة جيدة. تأكد من استبدال الشعلة التالفة أو البالية.
- لا تلمس حوامل الأقطاب الكهربائية المتصلة بجهازين مختلفين في نفس الوقت حيث سيكون هناك جهد دائري مزدوج مفتوح.
- احتفظ بالجهاز مغلّقًا وافصل الكابلات في حالة عدم استخدامها.
- افصل جميع توصيلات الطاقة و / أو المقابس أو قم بإيقاف تشغيل الجهاز قبل إصلاح الجهاز.
- كن حذرًا عند استخدام كابل التيار الكهربائي الطويل.
- تأكد من أن جميع التوصيلات محكمة ونظيفة وجافة.
- تأكد من أن الكابلات جافة ونظيفة وغير مزينة. يجب الحماية من الأجزاء المعدنية الساخنة والشرر.
- تشكل الأسلاك العارية غير المعزولة خطرًا مميتًا. تحقق بشكل متكرر من جميع الكابلات بحثًا عن أي تلف محتمل. في حالة اكتشاف كابل تالف أو غير معزول، قم بإصلاحه أو استبداله على الفور.
- إذا لم تكن كمامة التاريز متصلة بقطعة العمل، فقم بعزلها لتجنب ملامستها لأي أجسام معدنية.
- تأكد من أن تاريز خط الطاقة يتم بشكل صحيح.
- لا تستخدم مخرج لحام التيار المتردد في المناطق المبللة أو الرطبة أو الضيقة وحيث يوجد خطر السقوط.
- استخدم مخرج التيار المتردد فقط عند الضرورة لعملية اللحام.

- عندما يكون خرج التيار المتردد مطلوبًا، استخدم وحدة التحكم عن بعد إذا كانت متوفرة على ألتك.
- اتخذ احتياطات أمان إضافية عند وجود أحد المخاطر الكهربائية التالية؛
- عندما تكون في أماكن رطبة أو ترتدي ملابس مبللة،
- أثناء تواجدك على الأرضيات المعدنية أو الشبكات أو هياكل السقالات،
- عندما تكون في أوضاع ضيقة مثل الجلوس أو الركوع أو الاستلقاء،
- عندما يكون خطر التلامس مع قطعة العمل أو الأرض مرتفعًا أو لا مفر منه.
- في هذه الحالات، يمكن استخدام المعدات التالية؛
- آلة لحام قوسي معدني محجب بغاز حامل بجهد ثابت شبه أوتوماتيكي ذات تيار مباشر ،
- آلة لحام قوسي كهربائي محجب يدوية ذات تيار مباشر ،
- إذا تواجدت آلة لحام تيار مباشر أو تيار متردد بجهد كهربائي منخفض ذو الدائرة المفتوحة (VRD).

- أشياء يجب القيام بها في حالة الصدمة الكهربائية.
- أفضل الطاقة الكهربائية.
- استخدم مواد غير موصلة للكهرباء، مثل الخشب الجاف، لتحرير المصاب بالصدمة من الأسلاك أو الأجزاء الناقلة للكهرباء.



- اتصل بخدمات الطوارئ.
- إذا كان لديك تدريب على الإسعافات الأولية؛
- إذا كان المصاب لا يتنفس، فقم بإجراء الإنعاش القلبي الرئوي على الفور بعد قطع الاتصال بالمصدر الكهربائي. استمر في الإنعاش القلبي الرئوي حتى يبدأ التنفس أو تصل المساعدة.
- استخدم جهاز إزالة رجفان القلب الإلكتروني (AED) وفقًا للتوجيهات عند توفره.
- عالج الحروق الكهربائية، مثل الحروق الحرارية، عن طريق وضع الكمادات الباردة.
- منع العدوى وتغطيتها بقطعة قماش جافة ونظيفة.

AR

- يمكن أن تتسبب الأجزاء المتحركة.
- احرص على أن تكون جميع الأغطية والألواح والأبواب وما إلى ذلك لآلة والأجهزة مغلقة ومقفلة.
- ارتدِ أحذية ذات أصابع معدنية ضد احتمال سقوط أشياء ثقيلة.



من الخطير جدًا استنشاق الدخان والغاز المنبعث أثناء عملية اللحام والقطع لفترة طويلة.

- الإحساس بالحرقان والتهيج في العين والأنف والحلق هي علامات على عدم كفاية التهوية. في مثل هذه الحالة، قم بزيادة التهوية على الفور، إذا استمرت المشكلة، توقف عن اللحام / القطع.
- قم بإنشاء نظام تهوية طبيعي أو اصطناعي في منطقة العمل.
- استخدم نظام شفط دخان مناسب حيث يتم اللحام / القطع.
- إذا لزم الأمر، قم بتثبيت نظام يمكنه طرد الأبخرة والغازات المتراكمة في ورشة العمل بأكملها. استخدم نظام ترشيح مناسب لتجنب تلوث البيئة أثناء التفريغ.
- إذا كنت تعمل في أماكن ضيقة ومغلقة أو إذا كنت تقوم بلحام الرصاص أو البريليوم أو الكاديوم أو الزنك أو المواد المخلفة أو المطيعة، فاستخدم أجهزة التنفس التي توفر الهواء النقي بالإضافة إلى الاحتياطات المذكورة أعلاه.
- إذا تم تجميع أسطوانات الغاز في منطقة منفصلة، فتأكد من وجود تهوية جيدة في هذه المناطق، وحافظ على الصمامات الرئيسية مغلقة عندما لا تكون أسطوانات الغاز قيد الاستخدام، واحترس من تسرب الغاز.
- الغازات الواقية مثل الأرجون أكثر كثافة من الهواء ويمكن استنشاقها بدلاً من الهواء إذا تم استخدامها في الداخل. هذا يشكل خطر على صحتك.
- لا تقم بإجراء عمليات اللحام / القطع في وجود أبخرة هيدروكربونية مكثورة تنطلق أثناء عمليات التشحيم أو الطلاء.
- تتطلب بعض الأجزاء الملموسة / المقطوعة تهوية خاصة. يجب قراءة قواعد السلامة الخاصة بالمنتجات التي تتطلب تهوية خاصة بعناية. يجب ارتداء قناع غاز مناسب في الحالات التي يتوجب فيها ارتداء قناع الغاز.

يمكن أن يكون الدخان والغازات ضارة بصحتك



- يمكن أن يضر ضوء القوس والتناثرعينيك وجلدك
- لحماية عينيك ووجهك، استخدم قناع واقى قياسي وفلتر زجاجي مناسب.
- احص الأجزاء المكتشفة الأخرى من جسمك (الذراعين والرقبة والأذنين، إلخ) من القوس والتناثر باستخدام ملابس واقية مناسبة.
- قم بإحاطة منطقة عملك بنشاطات مقاومة للاشتعال أعلى من مستوى العين وقيم بتعليق علامات التحذير حتى لا يتضرر الأشخاص من حولك من أشعة القوس والمعادن الساخنة.
- لا تقم باستخدام الآلة لتسخين الأنابيب المجمدة. ستؤدي هذه العملية باستخدام آلة لحام / قطع إلى حدوث انفجار أو حريق أو تلف المعدات الخاص بك.



يمكن للشراشات والتناثر أن • تسبب العمليات مثل اللحام / القطع وصلل الأسطح والتنظيف بالفرشاة في حدوث شرر وتناثر جزيئات معدنية. ارتد نظارات أمان تؤذي عينيك مع دروع جانبية تحت القناع الواقي لمنع الإصابة المحتملة.



يمكن أن تسبب الأجزاء الساخنة • لا تلمس الأجزاء الساخنة بيديك. أعط أجزاء الآلة الوقت لتبرد قبل العمل عليها. عندما تحتاج إلى التعامل مع الأجزاء الساخنة، استخدم الأدوات المناسبة وقفازات اللحام / القطع ذات العزل الحراري العالي والملابس المقاومة للحريق.



يمكن للضوضاء أن تضر • يمكن أن تسبب الضوضاء الناتجة عن بعض المعدات والعمليات الضعيف لسمعك. إذا كان مستوى الضوضاء مرتفعاً، قم بارتداء واقيات الأذن المعتمدة.



يمكن أن يتسبب سلك • لا توجه الشعلة إلى أي جزء من الجسم أو الأشخاص الآخرين أو أي معدن أثناء فك سلك اللحام. احم عينيك ووجهك أثناء القيام بعملية فك سلك اللحام يدوياً، خاصة بأقطار رقيقة، قد يقفز السلك من يدك مثل النابض، قد يؤديك أو يضر الآخرين من حولك.



يمكن أن تسبب عملية • لا تقم أبداً باللحام / القطع بالقرب من المواد القابلة للاشتعال. قد يؤدي ذلك إلى نشوب حرائق وانفجارات. اللحام / القطع في نشوب • قبل البدء في عملية اللحام / القطع، قم بإزالة هذه المواد من الوسط المحيط أو قم بتغطيتها بأغطية واقية لمنعها من الاحتراق وحرائق وانفجارات الاشتعال. تطبيق القواعد الخاصة الوطنية والدولية في هذه المجالات.



لا تقم بعملية لحام / قطع الأنابيب أو المواسير المغلقة تمامًا. • قبل لحام / قطع الأنابيب والحاويات المغلقة، افتحها وفرغها بالكامل وقم بتهوئتها ونظفها. تولى أقصى قدر من العناية الممكنة عند اللحام / القطع في مثل هذه الأماكن. لا تقم بلحام / قطع الأنابيب أو المواسير التي تحتوي على مواد قد تسبب انفجاراً أو حريقاً أو تفاعلات أخرى ، حتى لو كانت فارغة. يتم إنتاج درجة حرارة عالية أثناء عملية اللحام / القطع. لذلك، لا تقم بتطبيقه على الأسطح القابلة للاشتعال أو التالفة بسهولة! يمكن أن تسبب الشرر والقطع المتناثرة في نشوب حريق. لهذا السبب، احتفظ بملوود مثل أنابيب مظافة الحريق والمياه والرمل في متناول اليد. استخدم صمامات الفحص ومنظمات الغاز والصمامات في دوائر الغاز القابلة للاشتعال والانفجار والمضغوطة. تأكد من فحصها بشكل دوري وأنها تعمل بشكل صحيح.

قد تسبب صيانة الآلات • يجب عدم إصلاح الأجهزة الكهربائية بواسطة أشخاص غير مصرح لهم بذلك. يمكن أن تؤدي الأخطاء التي يتم ارتكابها هنا إلى إصابة والأجهزة من قبل أشخاص خطيرة أو الوفاة أثناء الاستخدام. غير مصرح لهم في حدوث • تعمل عناصر دارة الغاز تحت الضغط؛ قد تحدث الانفجارات نتيجة للخدمات التي يقدمها أشخاص غير مصرح لهم، يمكن أن يصاب المستخدمون بجروح خطيرة. يوصى بإجراء الصيانة الفنية للآلة ووحداتها الطرفية مرة واحدة على الأقل في السنة.



اللحام / القطع في الأماكن • تأكد من إجراء عمليات اللحام / القطع برفقة شخص آخر في الأماكن ذات الحجم الصغير والمغلقة. تجنب عمليات اللحام / القطع في مثل هذه الأماكن المغلقة قدر الإمكان.



قد يؤدي عدم اتخاذ • اتخذ جميع الاحتياطات اللازمة أثناء نقل الآلة. يجب أن تكون المناطق المراد نقلها والظروف المادية وصحة الأجزاء التي سيتم الاحتياطات اللازمة أثناء استخدامها في النقل والشخص الذي سينفذ النقل مناسبة لعملية النقل. بعض الآلات ثقيلة للغاية ، لذلك ، يجب التأكد من اتخاذ تدابير السلامة البيئية اللازمة أثناء تغيير الأماكن. النقل إلى وقوع حوادث • في حالة استخدام الآلة على منصة، يجب التحقق من أن هذه المنصة لها حدود مناسبة لتحميل الحمولة.



- إذا كان سيتم نقلها بمساعدة مركبة (عربة نقل، رافعة شوكية، وما إلى ذلك)، فتأكد من أن السيارة ونقاط الاتصال التي تربط الآلة بالمركبة (عجلة الحمل، الحزام، المزلاج، الصمولة، العجلة، إلخ) سليمة.
- في حالة إجراء النقل اليدوي، تأكد من أن أجزاء الآلة (علاقة الحمل والحزام وما إلى ذلك) والتوصيلات سليمة.
- يرجى مراعاة قواعد منظمة العمل الدولية فيما يتعلق بوزن النقل وأنظمة النقل في بلدك من أجل ضمان ظروف النقل الضرورية.
- استخدم دائماً المقابض أو حلقات الحمل عند تغيير مكان مصدر الطاقة. لا تسحب أبداً بواسطة المشاعل أو الكابلات أو الخراطيم.
- احمل دائماً أسطوانات الغاز بشكل منفصل.
- قم بإزالة جميع الوصلات اليبينية قبل نقل معدات اللحام / القطع، وبشكل منفصل قم بنقل وتحريك الأصغر من السفينان، والأكبر من حلقات الحمل أو باستخدام معدات الرفع المناسبة مثل الرافعة الشوكية.

يمكن أن يتسبب الأجزاء المتساقطة في حدوث إصابات



- يمكن أن يؤدي الوضع غير الصحيح لمصدر الطاقة أو أي معدات أخرى إلى حدوث إصابات خطيرة للأشخاص وإحراق الأضرار بالممتلكات للأشياء الأخرى.
- ضع ألتك على أرضيات ومنصات ذات ميل أقصى يبلغ 10 درجات حتى لا تسقط أو تتقلب. اختر مناطق لا تعيق تدفق المواد، لا تشكل احتمالية خطر من التزق في الكابلات والخراطيم، غير قابلة للحركة؛ لكن أن تكون مناطق كبيرة وسهلة التهوية وخالية من الغبار.
- قم بتثبيتها على منصة بالنسبة الآلات التي تحتوي على منصة غاز مناسبة للأسطوانات، وفي الاستخدامات الثابتة، قم بتثبيتها على الحائط بسلسلة حتى لا تسقط وذلك لمنع أسطوانات الغاز من الانقلاب.
- تزويد المشغلين بوصول سهل إلى الإعدادات والتوصيلات في الآلة.

يؤدي الاستخدام المفرط إلى ارتفاع درجة حرارة الآلة



- اترك الآلة لتبرد وفقاً للمعدلات دورة العمل.
- قم بتقليل نسبة دورة التشغيل أو التبار قبل بدء عملية اللحام / القطع مرة أخرى.
- لا تسد مداخل تهوية الآلة.
- لا تضع مرشحات في مداخل تهوية الآلة دون موافقة الشركة المصنعة.

AR

يمكن أن يتسبب لحام القوس الكهربائي في حدوث تداخل كهرومغناطيسي



- إن هذه الآلة من المجموعة 2، الفئة أ في اختبارات التوافق الكهرومغناطيسي وفقاً لمعيار TS EN 55011.
- هذه الآلة من الفئة "3" غير مخصصة للاستخدام في المناطق السكنية حيث يتم توفير الطاقة الكهربائية من تيار الجهد المنخفض.
- قد تكون هناك صعوبات محتملة في ضمان التوافق الكهرومغناطيسي بسبب تداخل الترددات الراديوية المرسل والمستمع في مثل هذه المواقع.



هذه الآلة غير متوافقة مع IEC 61000-3-12. يجب أن يكون المثبت الذي سُجري التوصيل الكهربائي أو الشخص الذي سيستخدم الآلة على علم باتصال الآلة، في حالة الرغبة في الاتصال بشبكة الجهد المنخفض المستخدمة في المنازل، في هذه الحالة، تقع المسؤولية على عاتق المستخدم.

- تأكد من توافق منطقة التشغيل مع التوافق الكهرومغناطيسي (EMC). قد تسبب التداخلات الكهرومغناطيسية التي قد تحدث أثناء عملية اللحام / القطع تأثيرات غير مرغوب فيها على أجهزتك الإلكترونية وتيارك الكهربائي. أي آثار ناتجة عن هذه التداخلات أثناء التشغيل هي من مسؤولية المستخدم.
- في حالة حدوث أي تداخل، لضمان الامتثال؛ يمكن اتخاذ احتياطات إضافية، مثل استخدام الكابلات القصيرة، أو استخدام الكابلات المحمية (المدرعة)، أو نقل الآلة إلى مكان آخر، أو إزالة الكابلات من الجهاز و / أو المنطقة المتضررة، أو استخدام مرشح، أو حماية منطقة العمل من حيث التوافق الكهرومغناطيسي.
- قم بإجراء عمليات اللحام / القطع لأبعد مسافة ممكنة (100 متر) من أجهزتك الإلكترونية الحساسة لتجنب أي تلف محتمل في التوافق الكهرومغناطيسي.
- تأكد من تثبيت ألتك ووضعها وفقاً لدليل التعليمات.

وفقاً لـ IEC 60974-9 بند 5.2؛

قبل تركيب معدات اللحام / القطع، يجب على المشغل و / أو المستخدم إجراء تحقيق في التداخل الكهرومغناطيسي المحتمل في البيئة. يجب مراعاة المواقف التالية؛

- أ) كابلات الإمداد الأخرى وكابلات الإشارة وكابلات الهاتف أعلى وأسفل ويجوار آلة اللحام / القطع ومعداتها،
 - ب) أجهزة الإرسال والاستقبال الإذاعية والتلفزيونية،
 - ج) الكمبيوتر ومعدات التحكم الأخرى،
 - د) معدات السلامة الحرجة، مثل حماية المعدات الصناعية،
 - هـ) الأجهزة الطبية للأشخاص حولها، على سبيل المثال أجهزة تنظيم ضربات القلب والأجهزة المساعدة على السمع،
 - و) المعدات المستخدمة للقياس أو المعايرة.
 - ز) حضانة الأجهزة الأخرى في بيئة العمل. يجب على المستخدم التأكد من أن المعدات الأخرى المستخدمة في البيئة متوافقة. قد يتطلب هذا تدابير حماية إضافية،
 - ح) يمكن توسيع حدود منطقة الدراسة وفقاً لحجم البيئة وهيكل المبنى والأنشطة الأخرى التي يتم تنفيذها في المبنى، مع مراعاة وقت عملية اللحام / القطع خلال اليوم.
- بالإضافة إلى التقييم الميداني، قد يكون تقييم تركيبات الجهاز ضرورياً أيضاً لحل الاضطراب. عند الضرورة، يمكن أيضاً استخدام القياسات في الموقع لتأكيد كفاءة تدابير التخفيف. (المصدر: IEC 60974-9).



- طرق تقليل الضوضاء**
- يجب توصيل الآلة بالتيار الكهربائي على النحو الموصى به ومن قبل شخص مخول. في حالة حدوث تداخل ، يمكن تطبيق تدابير إضافية ، مثل تصفية التيار. يجب أن يتم توريد معدات اللحام القوسي المركب بشكل دائم من خلال قناة معدنية أو كابل محمي مكافئ.
 - يجب توصيل شاشة العرض وغطاء مصدر الطاقة ويجب الحفاظ على اتصال كهربائي جيد بين هذين الهيكلين.
 - ينبغي إجراء الصيانة الروتينية الموصى بها للآلة. يجب إغلاق و / أو قفل جميع أغلفة الهيكل عندما تكون الآلة قيد الاستخدام. لا يمكن إجراء أي تعديلات أو تعديلات على الآلة بخلاف الإعدادات القياسية دون موافقة خطية من الشركة المصنعة. خلاف ذلك ، يكون المستخدم مسؤولاً عن أي عواقب قد تحدث.
 - يجب أن تكون كابلات اللحام / القطع قصيرة قدر الإمكان. يجب أن يتم تمديدتها جنباً إلى جنب من أرضية منطقة العمل. يجب عدم لف كابلات اللحام / القطع بأي شكل من الأشكال.
 - يتم إنشاء مجال مغناطيسي في الآلة أثناء اللحام / القطع. قد يتسبب ذلك في قيام الآلة بسحب الأجزاء المعدنية عليها. تأكد من أن المواد المعدنية على مسافة آمنة أو ثابتة لمنع هذا السحب. يجب عزل المشغل عن كل هذه المواد المعدنية المترابطة.
 - يمكن أن يؤدي الارتباط بين قطعة العمل والأرض إلى تقليل الانبعاثات في بعض الحالات التي لا يتم فيها توصيل قطعة العمل بالأرض من أجل السلامة الكهربائية أو بسبب حجمها وموقعها (على سبيل المثال ، هيكل السفينة أو تصنيع الإنشاءات الفولاذية). وتجدد الإشارة إلى أن تأريض قطعة العمل قد يتسبب في إصابة المستخدمين أو حدوث خلل في المعدات الكهربائية الأخرى في البيئة. عند الضرورة ، يمكن إجراء اتصال الأرض بقطعة العمل في شكل اتصال مباشر ، ومع ذلك ، في بعض البلدان التي لا يُسمح فيها بالاتصال المباشر ، يمكن إنشاء الاتصال باستخدام عناصر السعة المناسبة وفقاً للأنظمة واللوائح المحلية.
 - يمكن أن يؤدي تدريع وحماية الأجهزة والكابلات الأخرى في منطقة العمل إلى منع التأثيرات التخريبية. يمكن تقييم حماية منطقة اللحام / القطع بأكملها لبعض التطبيقات المحددة.



- المجال الكهرومغناطيسي (EMF)**
- التيار الكهربائي الذي يمر عبر أي موصل يخلق مجالات كهربائية ومغناطيسية محلية (EMF). يجب على المشغلين اتباع الإجراءات أدناه لتقليل المخاطر التي يشكلها التعرض للمجالات الكهرومغناطيسية :
- يجب تجميع كابلات اللحام / القطع معاً لتقليل المجال المغناطيسي ، ويجب تأمينها بمواد ربط (شريط لاصق ، ربطه كبل ، إلخ) قدر الإمكان.



- يجب إبقاء جسم المشغل ورأسه بعيداً عن آلات اللحام / القطع والكابلات قدر الإمكان ،
 - يجب عدم لف أسلاك اللحام / القطع والكابلات الكهربائية حول الجسم بأي شكل من الأشكال.
 - يجب ألا يكون الجسم محاصراً بين كابلات اللحام / القطع. يجب إبقاء كابلات اللحام / القطع بعيدة عن الجسم، وبجانب بعضها.
 - يجب توصيل كابل الإرجاع بقطعة العمل في أقرب مكان ممكن من منطقة اللحام / القطع ،
 - لا تتكئ على وحدة الطاقة أو تجلس عليها أو تعمل بالقرب منها ،
 - يجب عدم القيام بعملية اللحام / القطع أثناء نقل وحدة الطاقة أو وحدة مغذي الأسلاك.
- يمكن أن تضعف المجالات الكهرومغناطيسية أيضاً تشغيل الفرسات الطبية (مادة توضع داخل الجسم) مثل أجهزة تنظيم ضربات القلب. يجب اتخاذ تدابير وقائية للأشخاص الذين لديهم غرسات طبية. على سبيل المثال ، يمكن وضع قيود وصول للمارة أو تقييمات المخاطر الفردية للمشغلين. يجب إجراء تقييم للمخاطر وتوصية بأخصائي طبي للمستخدمين الذين لديهم غرسات طبية.

- الحماية
- لا تعرض الجهاز للمطر أو رذاذ الماء أو البخار المضغوط.



- كفاءة الطاقة**
- اختر الطريقة والآلة المناسبة لعملية اللحام / القطع التي ستقوم بها.
 - حدد التيار و / أو الجهد المناسب للمادة والسماكة التي ستلحمها / تقطعها.
 - في حالة الانتظار لفترة طويلة بدون لحام / قطع ، قم بإيقاف تشغيل الآلة بعد أن تبرد مروحة الجهاز. ستتوقف آلاتنا ذات التحكم الذاتي بالمروحة من تلقاء نفسها.



- إجراء التخلص من النفايات
- إن هذه الآلة ليس نفايات منزلية. يجب أن يتم توجيهها لإعادة التدوير في إطار القانون الوطني مع توجيهات الاتحاد الأوروبي. احصل على معلومات من الوكيل والأشخاص المعتمدين حول إدارة نفايات آتلك المستعملة.



نموذج الضمان

يرجى زيارة موقعنا على الإنترنت www.magmaweld.com/warranty-form/wr للحصول على نموذج الضمان.

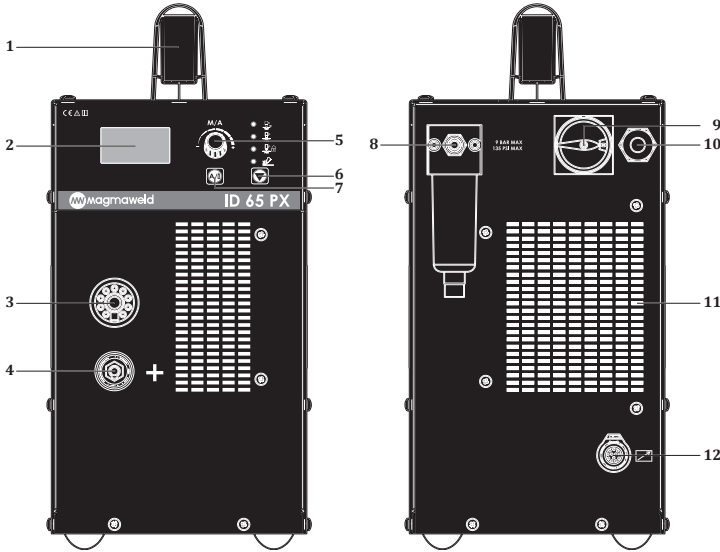


المعلومات التقنية 

1.1 الأوصاف العامة

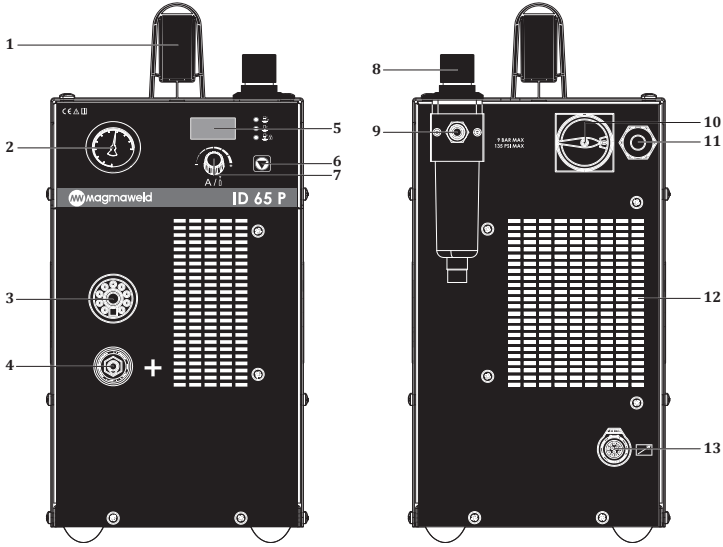
تعد ID 65 P و ID 65 PX من آلات القطع بالبلازما عالية الأداء المصممة لتطبيقات القطع والشق. إنه خفيف الوزن ومحمول بتصميمه المضغوط. إنه يوفر أداء قص وشق ممتاز. يتم ضبط ضغط الغاز المطلوب أثناء القطع تلقائيًا في نموذج ID 65 PX ، وفقًا لوضع القطع والشعلة المستخدمة. يجب إجراء تعديل ضغط الغاز المطلوب يدويًا في نموذج ID 65 P.

1.2 مكونات الآلة



الشكل 1: معرف PX 65 منظر أمامي وخلفي

- | | |
|------------------------|-----------------------------|
| 1- مقبض | 7- زر اختيار التيار / الغاز |
| 2- شاشة رقمية | 8- مصفاة الهواء |
| 3- موصل الشعلة | 9- مفتاح تشغيل / إيقاف |
| 4- وصلة التأريض (+) | 10- موصل الطاقة |
| 5- وعاء الضبط | 11- مروحة |
| 6- زر اختيار وضع القطع | 12- وصلة وحدة التحكم عن بعد |



الشكل 2: معرف P 65 منظر أمامي وخلفي

- | | |
|---------------------------|-----------------------------|
| 1- مقبض | 8- وعاء ضبط ضغط الغاز |
| 2- مقياس ضغط الغاز اليدوي | 9- مصفاة الهواء |
| 3- موصل الشعلة | 10- مفتاح تشغيل / إيقاف |
| 4- وصلة التآريض (+) | 11- موصل الطاقة |
| 5- شاشة رقمية | 12- مروحة |
| 6- زر اختيار وضع القطع | 13- وصلة وحدة التحكم عن بعد |
| 7- وعاء الضبط | |

I.3 ملصق المنتج

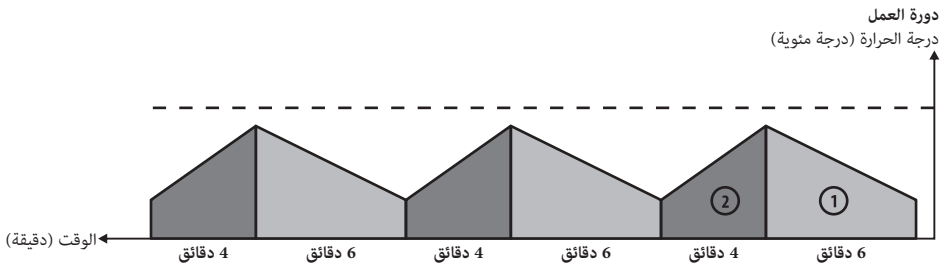
MAGMA MEKATRONİK MAKİNE SAN. VE TİC. A.Ş. Organize Sanayi Bölgesi 5.Kısım Manisa-TÜRKİYE			
ID 65 PX		S/N:	
		EN 60974-1/-10 Cl. A	
		20A / 88V - 65A / 106V	
	$U_0=280V$	$X^{(40^\circ C)}$	50% 60% 100%
		I_2	65A 59A 46A
		U_2	106V 103.7V 98.4V
	$U_1=400V$	$I_{1max} = 17.8A$	$I_{1eff} = 12.61A$
3-50-60Hz			
IP21S	CE	EAC	UK CA

MAGMA MEKATRONİK MAKİNE SAN. VE TİC. A.Ş. Organize Sanayi Bölgesi 5.Kısım Manisa-TÜRKİYE			
ID 65 P		S/N:	
		EN 60974-1/-10 Cl. A	
		20A / 88V - 65A / 106V	
	$U_0=280V$	$X^{(40^\circ C)}$	50% 60% 100%
		I_2	65A 59A 46A
		U_2	106V 103.7V 98.4V
	$U_1=400V$	$I_{1max} = 17.8A$	$I_{1eff} = 12.61A$
3-50-60Hz			
IP21S	CE	EAC	UK CA

دورة العمل	X
جهد التشغيل الخامل	U_0
جهد وتردد التيار الكهربائي	U_1
تصنيف جهد اللحام	U_2
تصنيف التيار المسحوب من التيار الكهربائي	I_1
تصنيف تيار اللحام	I_2
القوة المسحوبة من التيار الكهربائي	S_1
فئة الحماية	IP21S

مقوم محول ثلاثي الطور	
الخاصية العمودية	
التيار المباشر	
قطع البلازما	
مدخلات التيار الكهربائي - تيار متردد ثلاثي الطور	
مناسب للعمل في البيئات الخطرة	

AR



كما هو محدد في معيار EN 60974-1، فإن معدل دورة العمل يشمل فترة زمنية مدتها 10 دقائق. على سبيل المثال، إذا كنت تريد العمل على 100 أمبير على جهاز محدد بـ 100 أمبير عند 60%، يمكن للآلة القيام باللحام / القطع دون توقف في أول 6 دقائق من فترة 10 دقائق (المنطقة 1). ومع ذلك، يجب ترك الآلة في وضع الخمول لمدة 4 دقائق قادمة حتى تبرد (المنطقة 2).

1.4 المواصفات الفنية

ID 65 P	ID 65 PX	الوحدة	المواصفات الفنية
400	400	فولت	مدخل التيار الكهربائي (3 فاز 50-60 هرتز)
12,3	12,3	كيلو فولت أمبير	القوة المسحوبة من التيار الكهربائي
20 - 65	20 - 65	أمبير التيار المباشر	نطاق الإعداد الحالي
65	65	أمبير التيار المباشر	التصنيف الحالي
270	270	فولت التيار المباشر	جهد الدارة المفتوحة
22 (500 مم / دقيقة)	22 (500 مم / دقيقة)	مم	سماكة القطع الموصى بها (جميع المعادن)
28 (250 مم / دقيقة)	28 (250 مم / دقيقة)	مم	أقصى سمك للقطع (جميع المعادن)
35 (125 مم / دقيقة)	35 (125 مم / دقيقة)	مم	سماكة الاختراق (جميع المعادن)
5 (في ساعة واحدة)	5 (في ساعة واحدة)	كغ	الشق (3.5 مم عمق × 6.6 مم عرض)
628.1 x 219.3 x 453.7	628.1 x 219.3 x 453.7	مم	الأبعاد (الطول × العرض × الارتفاع)
26	26	كغ	الوزن
IP21S	IP21S		فئة الحماية

سرعات القطع في الجدول هي نتائج الفحوصات المخبرية لـ Magmaweld. ويمكن أن تتفاوت وفقاً لتطبيقات القطع المختلفة والظروف البيئية.

1.5 الملحقات

كود المنتج	العدد	الملحقات القياسية
K301100343	1	كماشة التأريض والكابلات
7142H10506	1	الشعلة (يدوي) *
7142M10512	1	شعلة (ميكانيكية) *

* يجب تحديده عند الطلب.

معلومات التثبيت

2.1 الأمور التي يجب مراعاتها عند التسليم

تأكد من وصول جميع العناصر التي طلبتها. إذا كانت أي مادة مفقودة أو تالفة ، فاتصل بمكان الشراء على الفور. يحتوي الصندوق القياسي على:

- الآلة الرئيسية وكابلات التيار الكهربائي المتصل بها
- شهادة الضمان
- كمامة التأريض والكابلات
- الشعلة والمواد الاستهلاكية

في حالة التسليم التالف ، احتفظ بمحضر ، التقط صورة للضرر ، قم بإخطار شركة الشحن بصورة بوليصة الشحن. إذا استمرت المشكلة ، فاتصل بخدمة العملاء.

الرموز الموجودة على الآلة ومعانيها

إن عملية القطع / اللحام بالبلازما تحتوي على خطر. يجب توفير ظروف العمل المناسبة واتخاذ الاحتياطات اللازمة. إن الخبراء مسؤولون عن الماكينة ويجب عليهم توفير المعدات اللازمة. يجب إبعاد الأشخاص غير المعنيين عن منطقة العمل.



هذا الجهاز غير متوافق مع IEC 61000-3-12. في حالة الرغبة في الاتصال بتيار الجهد المنخفض المستخدمة في المنازل ، يجب أن يكون المثبت الذي سيجري التوصيل الكهربائي أو الشخص الذي سيستخدم الآلة على علم باتصال الآلة، في هذه الحالة ، تقع المسؤولية على عاتق المستخدم.



يجب الانتباه إلى رموز الأمان وملاحظات التحذير الموجودة على الآلة وفي دليل المستخدم، ويجب عدم إزالة الملصقات.



الشبكات تهدف للتهوية. يجب عدم تغطية الفتحات لتوفير تبريد جيد ويجب عدم إدخال أجسام غريبة.



2.2 توصيات التثبيت والتشغيل

- اتخاذ الإجراءات اللازمة وفق معايير الصحة والسلامة المهنية. ويجب اتخاذ الترتيبات اللازمة في مكان العمل للتأكد من أن عملية النقل تتم وفق شروط الصحة والسلامة قدر الإمكان. ويجب اتخاذ الاحتياطات اللازمة بما يتناسب مع خصائص بيئة العمل ومتطلبات الوظيفة. ضع الجهاز على سطح صلب ومستوي وأملس بحيث لا يسقط أو يتقلب
- في الحالات التي تتجاوز فيها درجة الحرارة المحيطة 40 درجة مئوية ، قم بتشغيل الآلة بتبريد أقل أو بمعدل دورة أعلى.
- تجنب قطع البلازما عندما تكون هناك رياح وأمطار بالخارج. قم بحماية المنطقة المراد قطعها بالبلازما وماكينه القطع بالبلازما بستائر ومظلات مقاومة للحريق إذا كان من الضروري إجراء قطع بالبلازما في مثل هذه الحالات.
- تأكد من أن المواد مثل الجدران والستائر والألواح لا تمنح سهولة الوصول إلى أدوات التحكم والتوصيلات في الماكينة عند وضع الجهاز.
- استخدم نظامًا مناسبًا لاستخراج الدخان إذا كنت تقوم بقطع البلازما في الداخل. تنتج عملية القطع بالبلازما غازًا جزئيًا وأبخرة وغازات غير صحية. استخدم أجهزة التنفس إذا كان هناك خطر من استنشاق الأبخرة والغبار والغازات في الأماكن المغلقة.
- اتبع معدلات دورة العمل المحددة على ملصق المنتج. يمكن أن يؤدي تجاوز معدلات دورة العمل بشكل متكرر إلى تلف الآلة وهذا قد يبطل الضمان.
- يجب استخدام كبل مغذي مناسب لقيمة التأمين المحددة.
- يجب تأريض مصدر الطاقة وفقًا للقوانين الكهربائية المحلية والوطنية.
- تأكد من أن توصيلات إمداد الغاز تمت بشكل صحيح. إذا كان مصدر الغاز مغموطًا في الأسطوانة ، فقم بتثبيت أسطوانة الغاز حتى لا تتقلب.

2.3 توصيل قابس الكهرباء



لا تستخدم أبدًا كبل التيار الكهربائي الخاص بالجهاز بدون قابس وذلك من أجل سلامتك.

قم بحماية المعدات باستخدام صمامات التأخير المناسبة للنظام ومفتاح الطوارئ الذي سيوقف الكهرباء الواردة بسرعة في حالة الطوارئ.

- استخدم كابل العمل المناسب لمصدر الطاقة لديك. ادفع الموصل الأرضي في المقبس الموجود بمصدر الطاقة وقم بتثبيتته في المقبس، مع التأكد من إحكام التوصيل.
- يجب أن يتم تنفيذ أعمال التوصيلات الكهربائية بواسطة كهربائي معتمد وفقًا للوائح المحلية والوطنية.

2.4 التوصيل بالتيار الكهربائي



تأكد من أن مفتاح التشغيل / الإيقاف الخاص بالجهاز في وضع "0" أثناء توصيله بالمقبس.

- تحقق من التيار ثلاثي الطور باستخدام مقياس الفولتميتر قبل توصيل الجهاز بالتيار الكهربائي. أدخل القابس في المنفذ بعد التأكد من صحة كل طور.
- ابدأ تشغيل الجهاز باستخدام مفتاح التشغيل / الإيقاف.
- يكون الجهاز جاهزًا لبدء التشغيل بعد رؤية رمز MW على الشاشة. (ID 65 PX)
- قم بإيقاف تشغيل الجهاز عن طريق إعادة المفتاح إلى الوضع "0".

2.5 وصلات لقطع البلازما



يجب توخي الحذر أثناء القطع واستخدام الملابس الواقية والقفازات المناسبة.

2.5.1 توصيلات الغاز

- يجب استخدام منظم الغاز إذا كان مصدر الغاز في الورشة أو في اسطوانة الغاز ويجب أن يكون هذا المنظم قادرًا على إمداد الغاز إلى مدخل الهواء في الماكينة."
- قم بتثبيت اسطوانة الغاز بحيث لا تتقلب وذلك في الحالات التي يتم فيها استخدام اسطوانة غاز.
- استخدم منظمًا يتوافق مع المعايير وتأكد من أن جودة إمدادات الغاز تفي بالمعايير وذلك للعمل بأمان وتحقيق أفضل النتائج. ستؤثر جودة إمدادات الغاز على أداء القطع وجودة الاستهلاك."
- انتبه إلى حماية خط الغاز من الملوثات مثل الزيت والغبار.
- احتفظ بصمام أسطوانة الغاز مفتوحًا لبعض الوقت حتى يتم تفريغ الرواسب والجزيئات المحتملة.
- قم بتوصيل منظم الغاز بأسطوانة الغاز ، وتأكد من تداخل الخيط الموجود عند مخرج الغاز لأسطوانة الغاز وصامولة المنظم.
- قم بتوصيل أحد طرفي خرطوم الأسطوانة بمنظم الغاز والطرف الآخر بمدخل الغاز في الجزء الخلفي من الماكينة وافتح صمام أسطوانة الغاز.
- قم بضبط تدفق الغاز مع صمام تنظيم الضغط.
- تأكد من عدم وجود تسريبات في التوصيلات.
- قد تتلف مصفاة الهواء إذا تم تجاوز الحد الأعلى لضغط الغاز الداخل.

مصدر الغاز	هواء أو نيتروجين نظيف وجاف وخالي من الزيت
معدل التدفق / الضغط الموصى به لمدخل الغاز	"القطع: 185 لتر / دقيقة عند 5.5 بار الشق: 208 لتر / دقيقة عند 4.6 بار"

2.5.2 وصلات كمامة التآريض

- أدخل قابس كابيل كمامة التآريض في مقبس التآريض بالماكينة واربطة بتدويره إلى اليمين. تأكد من إتمام التوصيل.
- قم بتوصيل كمامة التآريض بإحكام بقطعة العمل في أقرب مكان ممكن من المنطقة المراد قطعها وذلك لتحسين جودة القطع.
- تأكد من وجود اتصال جيد بين المعدن إلى المعدن. لا تقم أبدًا بتوصيل كمامة التآريض بالجزء الذي سيقع من المعدن.

يجب تأريض مصدر الطاقة وفقاً للقوانين الكهربائية الوطنية والمحلية لضمان السلامة الشخصية وتقليل التداخل الكهرومغناطيسي وتهينة ظروف العمل المناسبة.



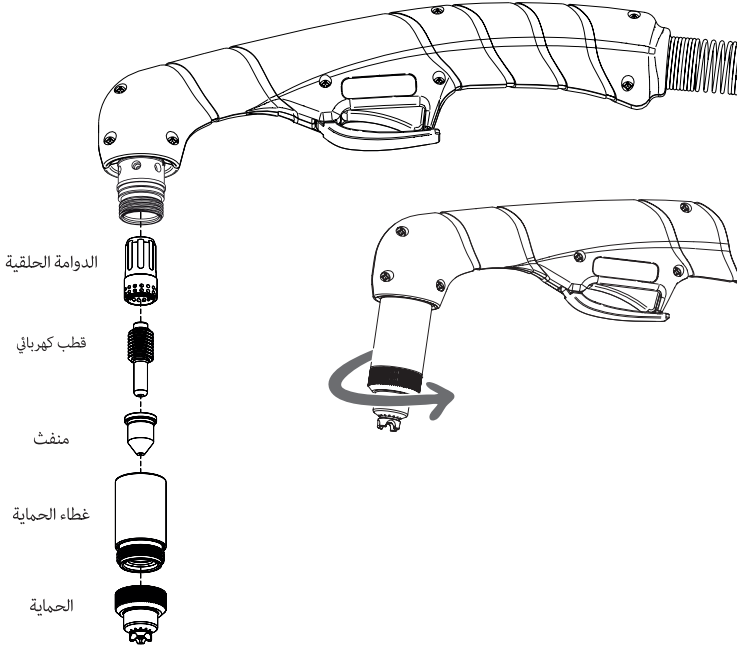
2.5.3 وصلات الشعلة



- يجب استخدام شعلة القطع بالبلازما ماركة Magmaweld وفقاً لطريقة القطع المستخدمة مع مصدر الطاقة.
- يتم استخدام شعلة يدوية للقطع اليدوي ، وشعلة ميكانيكية للقطع الآلي.
- أدخل موصل الشعلة في الفتحة الخاصة به على مصدر الطاقة وأدره إلى اليمين لتوصيل الشعلة. تأكد من إتمام التوصيل.
- حافظ على انقطاع التيار الكهربائي أثناء توصيل الشعلة.
- انظر إلى 5.1 للحصول على معلومات مفصلة حول المشاعل.

2.6 وضع المواد الاستهلاكية

- تختلف المواد المستخدمة في مشاعل القطع بالبلازما اليدوية والميكانيكية عن بعضها البعض.
- بادئ ذي بدء ، يجب تحضير المواد الاستهلاكية للشعلة.
- يجب اختيار المواد الاستهلاكية المناسبة وفقاً لنوع الشعلة والطريقة المستخدمة.
- يجب تركيب المواد الاستهلاكية بالترتيب المحدد.



- يعتمد عمر المواد الاستهلاكية على المادة المراد قطعها وسماكة القطع وطول القطع وطريقة القطع والمسافة المناسبة للمادة وجودة الهواء وتردد الانفجار. إذا كان تردد الانفجار مرتفعًا، فسوف تبلى المواد الاستهلاكية بسرعة أكبر.
- قد يلمس طرف الشعلة المعدن المراد قطعه أثناء القطع عند العمل باستخدام المواد الاستهلاكية المحمية.
- يجب أن تكون هناك مسافة 2-3 مم بين الجزء المراد قطعه والشعلة عند العمل مع المواد الاستهلاكية غير المحمية.
- انظر إلى 5.1 للحصول على معلومات مفصلة حول المواد الاستهلاكية.

يتم إنشاء قوس البلازما على الفور عند الضغط على مشغل الشعلة.
تأكد من إيقاف تشغيل مصدر الطاقة عند استبدال مستهلكات البلازما.



2.7 القوس الطيار

يستخدم الغاز المؤين ذو الموصلية الكهربائية العالية في عملية قطع البلازما. يتم تنشيط طاقة التيار المستمر ويبدأ التدفق السريع للغاز في الشعلة في غضون فترة زمنية قصيرة في اللحظة التي يتم فيها تشغيل شعلة البلازما. تعمل طاقة التيار المستمر هذه على تأين الغاز الموجود في الشعلة ويحدث القوس. يسمى هذا القوس الطيار الخلفي، الذي يتكثف بالتضييق بواسطة الشعلة. يُجبر القوس الطيار على الخروج من فوهة الشعلة بواسطة غازات عالية السرعة. يتشكل التيار الرئيسي ويبدأ القطع عندما يتلامس مع المعدن المراد قطعه. تستمر عملية القطع عن طريق تحريك الشعلة.

2.8 جهاز التحكم عن بعد

لن يكون جهاز التحكم عن بعد نشطًا إلا عند استخدام شعلة ميكانيكية. يوجد مقبس للتحكم عن بعد في الجزء الخلفي من الجهاز. عند إجراء التوصيل اللازم للمقبس الموجود في الجزء الخلفي من مصدر الطاقة، فإنه يوفر الوصول إلى جهد القوس وإشارات نقل القوس وبدء البلازما. انظر إلى 5.2 للحصول على معلومات مفصلة حول مخطط توصيلات التشغيل الآلي (الأمثلة).

ضبط مقسم الجهد

”إن مصدر الطاقة يحتوي على مقسم جهد بخمسة مواضع. يتم تغيير معلومات الجهد الكهربائي بمساعدة مقسم الجهد. تم ضبط مقسم الجهد في إعدادات المصنع على 20:1. يوضح الجدول أدناه موقع مفاتيح DIP لضبط مقسم الجهد.“



20:1



20.1:1



30:1



40:1



50:1

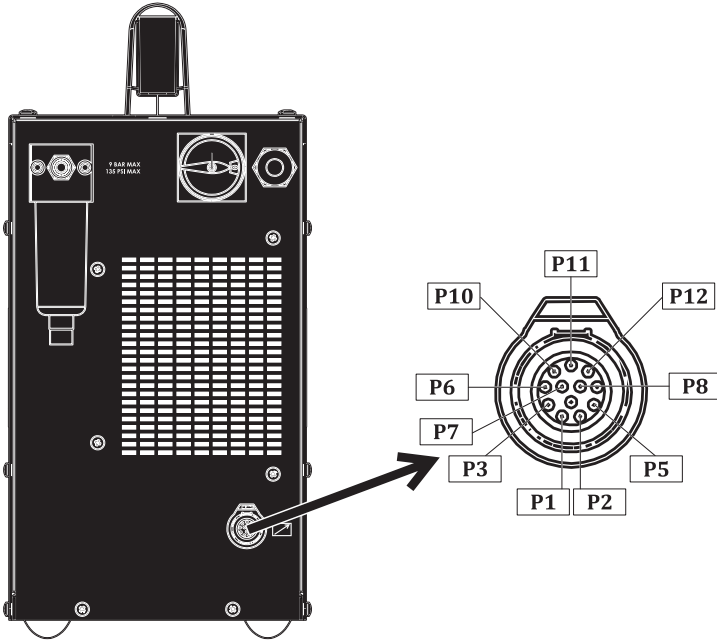
: يشير إلى أن المفتاح في الأعلى.



هناك نوعان من واجهات التشغيل الآلي، الاتصالات الرقمية والتناظرية، المستخدمة بواسطة ماكينة قطع البلازما ID 65 PX. إن ماكينة قطع البلازما ID 65 P لديها واجهة أمثلة الاتصالات التناظرية فقط.

1) الاتصال الرقمي

- تم إضافة مقبس وبطاقة إضافية إلى الجهاز. يتم الاتصال الرقمي عبر Modbus باستخدامهم. بالإضافة إلى أن الاتصال التناظري؛
- يمكن تعديل تيار الماكينة عن بعد.
- يمكن ضبط تيار القطع وضغط الغاز عن بعد حسب المواد المراد قطعها.
- يمكن تغيير وضع الماكينة عن بُعد.
- يمكن إرسال جميع رموز الأخطاء الموجودة على الجهاز إلى واجهة التشغيل الآلي. بهذه الطريقة، يتم التأكد من توقف الآلة أو تحذير المشغل.
- إن مآخذ الموصل للإشارات التي سيتم استخدامها على طول كابل واجهة الجهاز موضحة في الشكل أدناه. يحتوي الجدول على معلومات حول الإشارات. في الحالات التي يتم فيها توصيل مصدر الطاقة بآلة CNC أو جهاز التحكم في ارتفاع الشعلة باستخدام كابل واجهة الماكينة يجب مراعاة الجدول التالي:



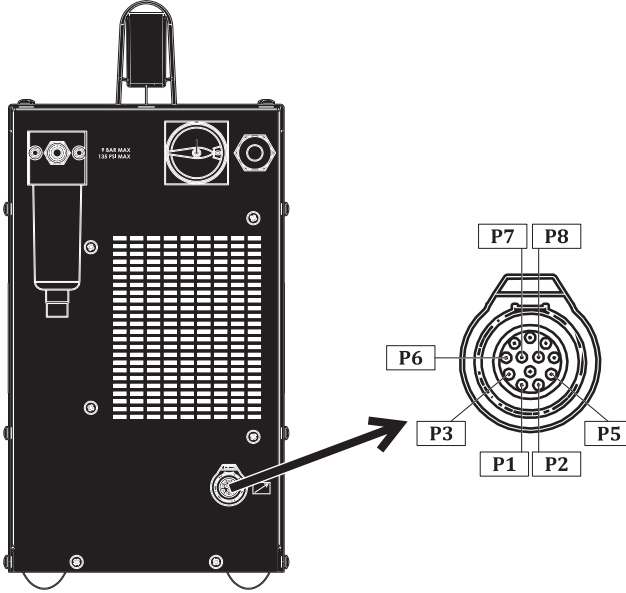
AR

الوصف	مقبس الموصل	اسم الوصلة
هناك جهد دائرة مفتوحة يبلغ 24 فولت تيار مستمر. يتطلب إغلاق الملابس الجاف للتفعيل.	P5, P2	إبدء (الزناد)
الوضع الطبيعي ملابس مفتوح. يتحول الملابس إلى الحالة المغلقة عندما يحدث قوس البلازما. (الحد الأقصى: 220 فولت تيار مستمر 2 أمبير)	P1, P3	تأكيد القوس
ModBus	P10 (A) P11 (B) P12 (GND)	الاتصال
”الماكينة تجعل جهد المخرج متوافق مع نظام التحكم. إنه يعطي مخرجا منقسماً بنسبة 20:1 ، 21.1:1 ، 30:1 ، 40:1 ، 50:1 ”	P7 (+) P8 (-)	مقسم الجهد
يوصى بتوصيله بنقطة تأريض نظامك لسلامة المعدات.	P6	التربة

2) الاتصال التناظري

يعمل ملامس جاف بفضل الهيكل الخاص به، ترسل وحدة الأتمتة تحذيرًا إلى ماكينة البلازما للعمل مع ملامس جاف، والبلازما تخلق قوسًا طيارًا. بعد أن تخلق ماكينة البلازما قوسًا طيارًا، فإنها ترسل تحذيرًا إلى وحدة الأتمتة بهيكل الملامس الجاف. عندما تبدأ الآلة في عملية القطع، فإنها تُبلغ عن جهد قوس البلازما بحيث يمكن لواجهة الأتمتة ضبط الارتفاع.

إن مأخذ الموصل للإشارات التي سيتم استخدامها على طول كابل واجهة الجهاز موضحة في الشكل أدناه. يحتوي الجدول على معلومات حول الإشارات. في الحالات التي يتم فيها توصيل مصدر الطاقة بآلة CNC أو جهاز التحكم في ارتفاع الشعلة باستخدام كابل واجهة الماكينة يجب مراعاة الجدول التالي:



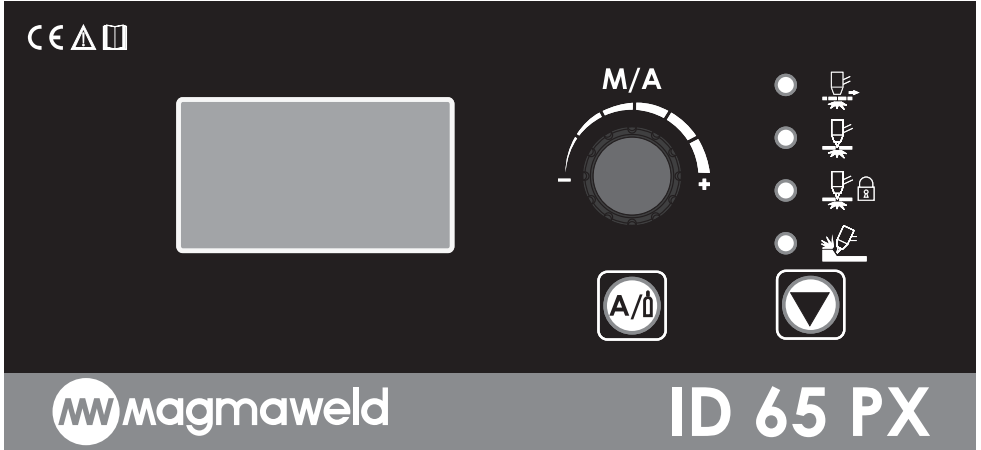
الوصف	مقبس الموصل	اسم الوصلة
هناك جهد دائرة مفتوحة يبلغ 24 فولت تيار مستمر. يتطلب إغلاق الملامس الجاف للتفعيل.	P5, P2	إبدء (الزناد)
الوضع الطبيعي ملامس مفتوح. يتحول الملامس إلى الحالة المغلقة عندما يحدث قوس البلازما. (الحد الأقصى: 220 فولت تيار مستمر 2 أمبير)	P1, P3	تأكيد القوس
"الماكينة تجعل جهد المخرج متوافق مع نظام التحكم. إنه يعطي مخرجًا منقسمًا بنسبة 20:1، 21.1:1، 30:1، 40:1، 50:1."	P7 (+) P8 (-)	مقسم الجهد
يوصى بتوصيله بنقطة تأريض نظامك لسلامة المعدات.	P6	التربة

يجب أن يتم تركيب كبل واجهة الآلة ولوحة مقسم الجهد بواسطة الخدمة المعتمدة. في حالة عدم استخدام غطاء فتحة الواجهة الموجودة في الجزء الخلفي من الماكينة، فيجب إبقاؤه مغلقًا ضد الأتربة والرطوبة.



معلومات الاستخدام

3.1 واجهة المستخدم



AR

<p>الشاشة الرقمية يمكن مراقبة تيار اللحام المعدل وقيم الضغط ومخطط الضغط وأكواد الخطأ بصرياً بفضل الشاشة الرقمية.</p>	
<p>أوضاع القطع قطع شبكي</p> <p>يتم استخدامه لقطع المواد التي تتكون من المعدن والفجوات على التوالي، مثل الشبكات. إذا لم يتم استخدام هذا الوضع عند قطع المواد المثقبة مثل الشبكة، يبدأ قطع المواد عند بدء القوس الطيار، ولكن ينتهي القوس الطيار عند الفجوة الأولى التي يراها. عندما يأتي الجزء المعدني بعد الفجوة عندما يتعلق الأمر بالجزء المعدني بعد الفجوة، فمن الضروري تحرير الزناد والضغط عليه مرة أخرى وبدء القوس الطيار لمواصلة القطع. تم إنشاء وضع القطع الشبكي لاستخدامها في مواد من نوع الشبكة لإزالة عبء العمل هذا. بمجرد الضغط على زناد الشعلة في وضع القطع الشبكي، يتم تشكيل قوس طيار ويتم قطع المادة، في اللحظة التي يتم فيها الوصول إلى الفجوة، يقطع الطيار القوس، وعندما يتعلق الأمر بالجزء المادي مرة أخرى، يقوم الطيار بتنشيط القوس. تستمر هذه الدورة حتى تترك الزناد. تنتهي عملية القطع بمجرد تحرير الزناد.</p>	
<p>القطع العادي</p> <p>القطع العادي ”في اللحظة التي تضغط فيها على الزناد في وضع القطع العادي، يحدث القوس الطيار وتبدأ عملية القطع. حتى إذا لم تقم بتحرير الزناد عند الانتهاء من قطعة العمل فإن القوس ينطفئ، يمكنك تحرير الزناد. إذا قمت بتحرير الزناد في منتصف المادة، فسيتنطفئ القوس مرة أخرى. يظهر القوس الطيار من جديد عند الضغط على الزناد مرة أخرى لمواصلة العملية.”</p>	
<p>قفل زناد الشعلة</p> <p>في هذا الوضع، يحدث القوس الطيار عندما تضغط على الزناد. بعد بدء عملية القطع، يمكنك رفع يدك عن الزناد ومتابعة عملية القطع. بمجرد الانتهاء من قطعة العمل (عندما يرى فجوة)، سينطفئ القوس الطيار وسيتم إلغاء تنشيط الوضع. سيكون الوضع نشطاً عندما تضغط على الزناد مرة أخرى وتبدأ في قطع قطعة العمل. يوفر هذا الوضع سهولة القطع خاصة لقطع العمل الطويلة، ويمكن قطعها دون إبقاء الإصبع على الزناد باستمرار.</p>	



”عند تحديد طريقة الشق في الوضع التلقائي سيتم ضبط معدل تدفق الغاز تلقائيًا بواسطة الجهاز. في طريقة الشق ، يجب تغيير المواد الاستهلاكية للشعلة وفقًا لطريقة الشق. يحدث القوس الطيار عند الضغط على الزناد. يتم إجراء القطع على طول قطعة العمل ، بمجرد نفاد قطعة العمل أو رؤية فجوة ، يخرج القوس الطيار ، ويمكنك تحرير إصبعك من الزناد.“

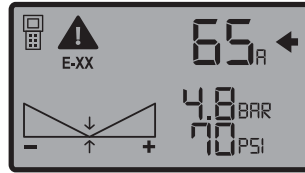


وعاء الضغط

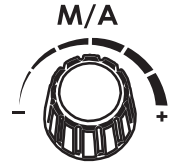
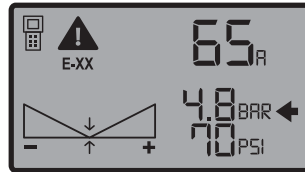
(M/A: وضع يدوي / تلقائي)







”عند تشغيل الجهاز ، يبدأ في الوضع التلقائي ، ولا يظهر رسم بياني لضغط الغاز على الشاشة. في الوضع التلقائي ، يتم استخدام وعاء الضغط فقط لضبط التيار. من خلال تدوير الوعاء إلى اليسار واليمين ، يتم ضبط القيمة الحالية المطلوبة ضمن نطاقات تفاوت معينة. في الوضع التلقائي ، يقوم مزود الطاقة بضبط الغاز نفسه وفقًا لنوع الشعلة وطولها. يقوم تلقائيًا بضبط ضغط الغاز الأمثل. يوفر ضبط ضغط الغاز بواسطة مزود الطاقة الراحة ويمنع المستخدمين من ارتكاب أخطاء في ضبط ضغط الغاز. للتبديل إلى الوضع اليدوي ، من الضروري الضغط على وعاء الضغط مرة واحدة ، يظهر رسم ضغط الغاز على الشاشة. في الوضع اليدوي ، يتم إجراء تعديلات على ضغط الغاز والتيار باستخدام وعاء الضغط.“

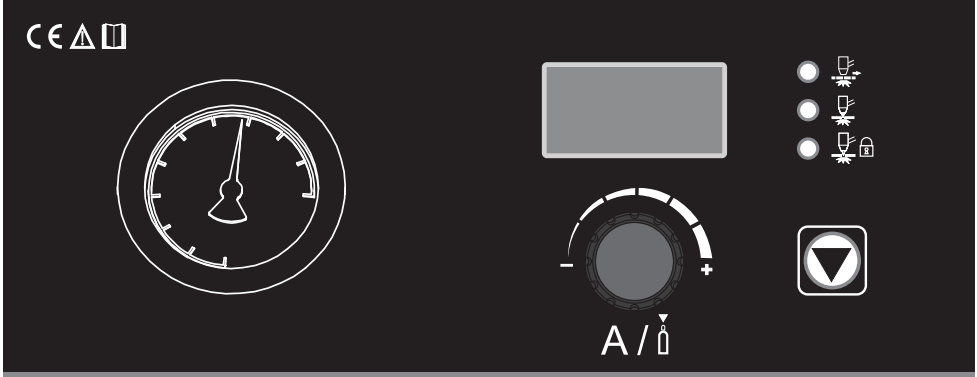
(A/0) اضغط على زر اختيار التيار / الغاز وانتقل إلى علامة تبويب ضبط التيار أو الغاز. عندما تصل إلى علامة تبويب التيار ، سيظهر سهم بجوارها. من أجل ضبط التيار ، يتم ضبط قيمة التيار المطلوبة ضمن نطاقات تفاوت معينة عن طريق تدوير وعاء الضغط إلى اليسار واليمين. إذا كانت الأسهم في منتصف الرسم البياني لضغط الغاز ، يتم تعيين القيمة المثلى التي تقرنها الماكينة.



(A/0) عند الضغط على زر اختيار التيار / الغاز والانتقال إلى علامة تبويب ضبط الغاز ، سيظهر سهم بجواره. يقوم مزود الطاقة تلقائيًا بضبط ضغط الغاز. ومع ذلك ، يتم ضبط المستخدم ضمن نطاق تفاوت معين. عندما يتم تدوير وعاء الضغط إلى اليمين ، سيزداد ضغط الغاز وسيتحرك الرسم البياني لضغط الغاز إلى اليمين. عندما يتم تدوير وعاء الضغط إلى اليسار ، سينخفض ضغط الغاز وسيتحرك الرسم البياني لضغط الغاز إلى اليسار. أفضل إعداد لضغط الغاز وفقًا للتيار المحدد هو القيمة الموجودة في منتصف الرسم البياني.



<p>الرسم البياني لضغط الغاز يُظهر قيمة ضغط الغاز بيانياً</p> <p>إذا كان الرسم البياني أجوفاً ، فسيتم تحديد ضغط الغاز الأمثل الذي تم تعيينه بواسطة مصدر الطاقة. يوضح منتصف الرسم البياني ضغط الغاز الأمثل (4.8 بار / 70 رطل لكل بوصة مربعة). في ضبط ضغط الغاز ، إذا تم تدوير وعاء الضبط جهة اليمين ، سيزداد ضغط الغاز. تبدأ المنطقة اليمنى من الرسم البياني بالإمتلاء. الحد الأقصى لضغط الغاز هو 5.5 بار (80 رطل لكل بوصة مربعة).</p>  <p>في تعديل ضغط الغاز ، إذا تم تدوير وعاء الضبط جهة اليسار ، سينخفض ضغط الغاز. تبدأ المنطقة اليسرى على الرسم البياني بالإمتلاء. إعداد الحد الأدنى لضغط الغاز هو 4.4 بار (64 رطل لكل بوصة مربعة).</p> 	
<p>زر اختيار التيار / الغاز يوفر التبديل إلى قيم التيار وضغط الغاز في الوضع اليدوي. يتم إجراء التعديلات في علامات التنويب هذه باستخدام وعاء الضبط.</p>	
<p>كود الخطأ يظهر أيقونة ورمز الخطأ</p>	
<p>الاتصال عن بعد يشير إلى أن الاتصال عن بعد نشط</p>	



MW magmaweld

ID 65 P

الشاشة الرقمية

يمكن مراقبة تيار اللحام المعدل وقيم الضغط ومخطط الضغط وأكواد الخطأ بصرياً بفضل الشاشة الرقمية.

أوضاع القطع



يتم استخدامه لقطع المواد التي تتكون من المعدن والفجوات على التوالي ، مثل الشبكات. إذا لم يتم استخدام هذا الوضع عند قطع المواد المثقبة مثل الشبكة ، يبدأ قطع المواد عند بدء القوس الطيار ، ولكن ينتهي القوس الطيار عند الفجوة الأولى التي يراها. عندما يأتي الجزء المعدني بعد الفجوة عندما يتعلق الأمر بالجزء المعدني بعد الفجوة ، فمن الضروري تحرير الزناد والضغط عليه مرة أخرى وبدء القوس الطيار لمواصلة القطع. تم إنشاء وضع القطع الشبكي لاستخدامها في مواد من نوع الشبكة لإزالة عبء العمل هذا. بمجرد الضغط على زناد الشعلة في وضع القطع الشبكي ، يتم تشكيل قوس طيار ويتم قطع المادة ، في اللحظة التي يتم فيها الوصول إلى الفجوة ، يقطع الطيار القوس ، وعندما يتعلق الأمر بالجزء المادي مرة أخرى ، يقوم الطيار بتنشيط القوس. تستمر هذه الدورة حتى تترك الزناد. تنتهي عملية القطع بمجرد تحرير الزناد.

القطع العادي

القطع العادي

”في اللحظة التي تضغط فيها على الزناد في وضع القطع العادي ، يحدث القوس الطيار وتبدأ عملية القطع. حتى إذا لم تقم بتحرير الزناد عند الانتهاء من قطعة العمل فإن القوس ينطفئ ، يمكنك تحرير الزناد. إذا قمت بتحرير الزناد في منتصف المادة ، فسيتنطفئ القوس مرة أخرى. يظهر القوس الطيار من جديد عند الضغط على الزناد مرة أخرى لمواصلة العملية.“

قفل زناد الشعلة

في هذا الوضع ، يحدث القوس الطيار عندما تضغط على الزناد. بعد بدء عملية القطع ، يمكنك رفع يدك عن الزناد ومتابعة عملية القطع. بمجرد الانتهاء من قطعة العمل (عندما يرى فجوة) ، سينطفئ القوس الطيار وسيتم إلغاء تنشيط الوضع. سيكون الوضع نشطاً عندما تضغط على الزناد مرة أخرى وتبدأ في قطع قطعة العمل. يوفر هذا الوضع سهولة القطع خاصة لقطع العمل الطويلة ، ويمكن قطعها دون إبقاء الإصبع على الزناد باستمرار.

<p>وعاء الضبط A : ضبط التيار / ضبط الغاز لضبط التيار ، يتم ضبط قيمة التيار المطلوبة ضمن نطاقات تفاوت معينة عن طريق تدوير وعاء الضبط إلى اليمين واليسار.</p>  <p>من أجل الإنتقال إلى ضبط الغاز ، من الضروري الضغط على وعاء الضبط مرة واحدة. يتحول الجهاز إلى وضع الغاز الحر ، ويقرأ مقياس الضغط (A/i) حوالي 4.2 بار. عندما تسحب وعاء ضبط ضغط الغاز الموجود في مصفاة الهواء إلى الأعلى وتضبطه على الوضع الحر ، يمكنك زيادة / تقليل الضغط بتحويله إلى اليمين / اليسار.</p>	
<p>مؤشر الضغط يشير إلى الضغط داخل الشعلة.</p>	

AR

3.2 استخدام الشعلة

”اضغط على زناد الشعلة عن طريق دفع الغطاء الواقي على زناد الشعلة إلى الأمام عندما يتم القطع. سيحدث قوس البلازما بمجرد الضغط على زناد الشعلة. لعمل قطع مستقيم ، يجب دفع طرف الشعلة ببطء عبر المادة المراد قطعها. عندما يتم توصيل شعلة التشغيل الآلي ، تكشف الآلة شعلة الأمتة وتنتظر المشغل من واجهة الأمتة. يرسل البيانات اللازمة إلى واجهة الأمتة. انظر إلى 5.1 للحصول على معلومات مفصلة عن المشاعل.”

”يكون مشغل الشعلة نشطاً عندما يكون مصدر الطاقة قيد التشغيل. عليك التأكد من أن يدك لا تدخل في مسار القطع.”
يجب ألا تمسك قطعة العمل في يدك أو أن توجه الشعلة إلى نفسك أو أي شخص آخر.



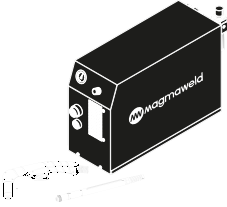
معلومات الصيانة والأعطال

- يجب أن يتم إجراء الصيانة والإصلاحات للآلة بواسطة أشخاص مختصين. شركتنا ليست مسؤولة عن الحوادث التي قد تحدث نتيجة تدخلات من قبل أشخاص غير مصرح لهم.
- يمكنك الحصول على الأجزاء التي سيتم استخدامها أثناء الإصلاح من خدماتنا المعتمدة. سيؤدي استخدام قطع الغيار الأصلية إلى إطالة عمر جهازك ومنع فقدان الأداء.
- استشر دائماً الشركة المصنعة أو مركز الخدمة المعتمد المحدد من قبل الشركة المصنعة.
- أي محاولة غير مصرح بها من قبل الشركة المصنعة خلال فترة الضمان ستبطل جميع أحكام الضمان.
- تأكد من الامتثال لقواعد السلامة الحالية أثناء عمليات الصيانة والإصلاح.
- قبل اتخاذ أي إجراء لإصلاح الجهاز ، أفضل قابس التيار الكهربائي بالجهاز وانتظر لمدة 10 ثوانٍ حتى تفرغ المكثفات.

4.1 الصيانة

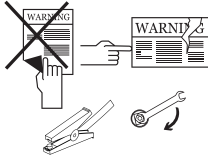
العناية اليومية

- يجب فحص المواد الاستهلاكية الموجودة على الشعلة بانتظام واستبدالها في حالة التآكل أو التلف. تأكد من أن هذه المواد هي منتجات أصلية للاستخدام طويل الأمد والأداء العالي.



AR

كل 3 أشهر



- لا تقم بإزالة ملصقات التحذير من على الجهاز. استبدل الملصقات البالية / الممزقة بأخرى جديدة. يمكنك الحصول على الملصقات من الخدمة المعتمدة.
- افحص الكمامة والكابلات. انتبه إلى التوصيلات وقوة الأجزاء.
- استبدل الأجزاء التالفة / المعيبة بأخرى جديدة. لا تقم أبداً بإجراء أي إضافات / إصلاحات للكابلات".
- تأكد من وجود مساحة كافية للتهوية.

كل 6 أشهر



- قم بتنظيف وشد الأجزاء الموصلة مثل البراغي والصواميل.
- تحقق من كابلات كمامة التاريز. افتح الأغطية الجانبية للآلة ونظفها باستخدام هواء جاف منخفض الضغط أو أداة تفرغ. لا تستخدم الهواء المضغوط من مسافة قريبة إلى المكونات الإلكترونية.
- تأكد من نظافة مصفاء الهواء. إذا كانت متسخة ، فاستبدلها بأخرى جديدة.

ملاحظة: الفترات المذكورة أعلاه هي الفترات القصوى التي يجب تطبيقها إذا لم يواجه جهازك أي مشاكل. يمكنك تكرار العمليات المذكورة أعلاه بشكل متكرر ، اعتماداً على كثافة بيئة عملك وتلوثها.

لا تقطع أبداً وأغطية ماكينة قطع البلازما مفتوحة.



4.2 استكشاف الأخطاء وإصلاحها

تحتوي الجداول التالية على الأخطاء المحتملة والحلول الممكنة.

خطأ	لماذا	حل
الماكينة لا تعمل	• توجد مشكلة في التوصيل الكهربائي للجهاز	• تأكد من توصيل الجهاز بالكهرباء • إذا استمرت المشكلة ، فاتصل بالخدمة المعتمدة
	• توصيلات الشبكة غير صحيحة	• تأكد من صحة توصيلات التيار الكهربائي • إذا استمرت المشكلة ، فاتصل بالخدمة المعتمدة
	• مصدر التيار الكهربائي معيب أو تلف كابل التيار الكهربائي	• تحقق من قواطع تيار تغذية الشبكة وكابل التيار الكهربائي والقياس • إذا استمرت المشكلة ، فاتصل بالخدمة المعتمدة
	• مفتاح التشغيل / الإيقاف لا يعمل بشكل صحيح	• تحقق من مفتاح التشغيل / الإيقاف • إذا استمرت المشكلة ، فاتصل بالخدمة المعتمدة
الماكينة تعمل ولكنها لا تقطع	• قد لا يكون ضغط الهواء وتدفقه مناسبين	• قم بفحص ضغط الهواء وجودة الهواء. تأكد من أن ضغط الهواء ومعدل التدفق مناسبين ، وأن الهواء جاف ونظيف • إذا استمرت المشكلة ، فاتصل بالخدمة المعتمدة
	• قد لا يكون الجهد الكهربائي مناسباً	• تأكد من أن جهد التيار الكهربائي القادم إلى الجهاز مناسب • إذا استمرت المشكلة ، فاتصل بالخدمة المعتمدة
	• قد تكون كمامة التآريض غير موصولة بقطعة العمل أو الماكينة	• تأكد من توصيل كمامة التآريض بقطعة العمل والجهاز. نظف المنطقة التي تلامس فيها الكمامة قطعة العمل • تأكد من عدم تلف كمامة التآريض • إذا استمرت المشكلة ، فاتصل بالخدمة المعتمدة
لا ينتقل القوس إلى قطعة العمل	• قد تتعرض الشعلة و / أو المواد الاستهلاكية للتلف أو التآكل	• تأكد من أن الشعلة و / أو المواد الاستهلاكية ليست متآكلة أو نالفة ، استبدالها بأخرى جديدة إذا لزم الأمر • إذا استمرت المشكلة ، فاتصل بالخدمة المعتمدة
	• لا ينتقل القوس إلى قطعة العمل	• تأكد من أن سطح قطعة العمل غير مطلي ونظيف • تأكد من أن الشعلة على مسافة مناسبة من قطعة العمل • إذا استمرت المشكلة ، فاتصل بالخدمة المعتمدة

حل	لماذا	خطأ
<ul style="list-style-type: none"> تحقق من ضغط الهواء وجودة الهواء. تأكد من أن ضغط الهواء ومعدل التدفق مناسبين ، وأن الهواء جاف ونظيف إذا استمرت المشكلة ، فاتصل بالخدمة المعتمدة 	<ul style="list-style-type: none"> قد لا يكون ضغط الهواء وتدقيقه مناسبين ، وقد تكون عناصر مصفاة الهواء متسخة. 	<p>الآلة تعمل لكنها لا تقطع بشكل جيد</p>
<ul style="list-style-type: none"> تأكد من أن الشعلة و / أو المواد الاستهلاكية ليست متأكلة أو تالفة ، استبدلها بأخرى جديدة إذا لزم الأمر إذا استمرت المشكلة ، فاتصل بالخدمة المعتمدة 	<ul style="list-style-type: none"> قد تتعرض الشعلة و / أو المواد الاستهلاكية للتلف أو التآكل 	
<ul style="list-style-type: none"> تأكد من استخدام الشعلة و / أو المواد الاستهلاكية وتثبيتها بشكل صحيح إذا استمرت المشكلة ، فاتصل بالخدمة المعتمدة 	<ul style="list-style-type: none"> قد لا يتم اختيار أو تثبيت الشعلة و / أو المواد الاستهلاكية بشكل صحيح 	
<ul style="list-style-type: none"> تأكد من أن وضع القطع صحيح إذا استمرت المشكلة ، فاتصل بالخدمة المعتمدة 	<ul style="list-style-type: none"> ربما تم تحديد وضع القطع بشكل غير صحيح 	
<ul style="list-style-type: none"> يجب اختبار قيمة التيار الكهربائي المناسبة (سمك المادة ونوعها) للمادة المراد قطعها إذا استمرت المشكلة ، فاتصل بالخدمة المعتمدة 	<ul style="list-style-type: none"> ربما تم تحديد قيمة التيار الكهربائي المستخدمة بشكل غير صحيح. 	
<ul style="list-style-type: none"> تأكد من أن تكون سرعة القطع وسماكة القطع مناسبة إذا استمرت المشكلة ، فاتصل بالخدمة المعتمدة. 	<ul style="list-style-type: none"> قد يتم تجاوز سرعة القطع والسماكة المناسبة لأداء الماكينة 	
<ul style="list-style-type: none"> تأكد من أن ارتفاع وزاوية الشعلة لقطعة العمل صحيحة إذا استمرت المشكلة ، فاتصل بالخدمة المعتمدة 	<ul style="list-style-type: none"> قد يكون ارتفاع أو زاوية الشعلة لقطعة العمل غير صحيحة 	
<ul style="list-style-type: none"> تأكد من صحة اتجاه القطع إذا استمرت المشكلة ، فاتصل بالخدمة المعتمدة 	<ul style="list-style-type: none"> قد يكون اتجاه القطع خاطئاً 	

4.3 رموز الأخطاء

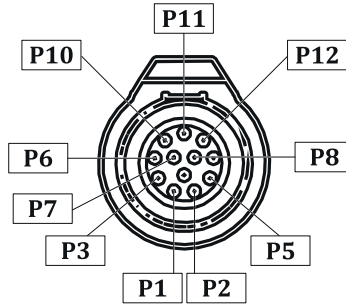
تحتوي الجداول التالية على الأخطاء المحتملة والحلول الممكنة.

الحل	السبب	الخطأ	رمز الخطأ
<ul style="list-style-type: none"> • دع الجهاز يبرد بالانتظار لبعض الوقت. إذا اختفى الخطأ ، فحاول استخدامه بقيم شدة منخفضة. • إذا استمرت المشكلة ، فاتصل بالخدمة المعتمدة 	<ul style="list-style-type: none"> • ربما تم تجاوز وقت تشغيل جهازك 		
<ul style="list-style-type: none"> • تحقق بصرياً مما إذا كانت المروحة تعمل أم لا. • إذا استمرت المشكلة، فاتصل بالخدمة المعتمدة. 	<ul style="list-style-type: none"> • قد لا تعمل المروحة 	"الحماية الحرارية (أساسي)"	E01
<ul style="list-style-type: none"> • افتح مقدمة مجاري الهواء • إذا استمرت المشكلة ، فاتصل بالخدمة المعتمدة 	<ul style="list-style-type: none"> • قد تكون مقدمة قنوات مدخل الهواء مسدودة 		
<ul style="list-style-type: none"> • تأكد من أن بيئة عمل الجهاز ليست شديدة السخونة أو مخنوقة • إذا استمرت المشكلة ، فاتصل بالخدمة المعتمدة 	<ul style="list-style-type: none"> • قد تكون بيئة العمل بالجهاز شديدة السخونة أو مخنوقة 		
<ul style="list-style-type: none"> • افحص كابلات توصيل التيار الكهربائي والجهد. تأكد من توفير مدخل الجهد الصحيح. إذا كان جهد التيار الكهربائي طبيعيًا ، فاتصل بالخدمة المعتمدة 	<ul style="list-style-type: none"> • قد يكون الجهد الكهربائي قد انخفض 	"جهد الشبكة منخفض"	E02
<ul style="list-style-type: none"> • افحص كابلات توصيل التيار الكهربائي والجهد. تأكد من توفير مدخل الجهد الصحيح. إذا كان جهد التيار الكهربائي طبيعيًا ، فاتصل بالخدمة المعتمدة 	<ul style="list-style-type: none"> • قد يكون الجهد الكهربائي قد ارتفع 	الجهد الكهربائي عالي	E03
<ul style="list-style-type: none"> • اتصل بالخدمة المعتمدة 	<ul style="list-style-type: none"> • قد يكون هناك خطأ في الجهاز 	خطأ في قراءة التيار الجهد /	E04
<ul style="list-style-type: none"> • اتصل بالخدمة المعتمدة 	<ul style="list-style-type: none"> • قد يكون هناك خطأ في الجهاز 	خطأ في قراءة مستشعر درجة الحرارة	E05
<ul style="list-style-type: none"> • تحقق من موصل وحدة تبريد المياه ومداخل / مخارج الشعلة • تأكد من توفير دورة المياه. • إذا استمرت المشكلة ، فاتصل بالخدمة المعتمدة 	<ul style="list-style-type: none"> • قد يكون هناك خطأ في وحدة تبريد المياه 	خطأ في وحدة تبريد الماء	E06
<ul style="list-style-type: none"> • اتصل بالخدمة المعتمدة 	<ul style="list-style-type: none"> • قد يكون هناك خطأ في الجهاز 	فشل النظام	E07 E08 E09
<ul style="list-style-type: none"> • تحقق من توصيلات الشعلة والشعلة • إذا استمرت المشكلة ، فاتصل بالخدمة المعتمدة 	<ul style="list-style-type: none"> • قد تكون وصلات الشعلة والشعلة معيبة 	خطأ في توصيل الشعلة	E10
<ul style="list-style-type: none"> • اتصل بالخدمة المعتمدة 	<ul style="list-style-type: none"> • قد يكون هناك خطأ في الجهاز 	فشل النظام	E11 E12

الحل	السبب	الخطأ	رمز الخطأ
<ul style="list-style-type: none"> افحص سلة الأسلاك ، وضغط البكرة / البكرة وتوصيلات الشعلة إذا استمرت المشكلة ، فاتصل بالخدمة المعتمدة. 	<ul style="list-style-type: none"> قد يكون هناك خطأ في تغذية الأسلاك 	خطأ في وحدة تغذية الأسلاك	E13
<ul style="list-style-type: none"> اتصل بالخدمة المعتمدة 	<ul style="list-style-type: none"> قد يكون هناك خطأ في الجهاز 	فشل النظام	E14
<ul style="list-style-type: none"> تحقق من توصيلات جهاز التحكم عن بعد إذا استمرت المشكلة ، فاتصل بالخدمة المعتمدة 	<ul style="list-style-type: none"> قد يكون هناك خطأ في توصيلات جهاز التحكم عن بعد 	خطأ في اتصال التحكم عن بعد	E15
<ul style="list-style-type: none"> اتصل بالخدمة المعتمدة 	<ul style="list-style-type: none"> قد يكون هناك خطأ في الجهاز 	فشل النظام	E16
		E17	
		E18	
<ul style="list-style-type: none"> دع الجهاز يبرد من خلال الانتظار لبعض الوقت. إذا اختلف الخطأ ، فحاول استخدامه بقيم شدة منخفضة إذا استمرت المشكلة ، فاتصل بالخدمة المعتمدة 	<ul style="list-style-type: none"> ربما تم تجاوز وقت تشغيل جهازك 		E19
<ul style="list-style-type: none"> تحقق بصرياً مما إذا كانت المروحة تعمل أم لا إذا استمرت المشكلة، فاتصل بالخدمة المعتمدة 	<ul style="list-style-type: none"> قد لا تعمل المروحة 	الحماية الحرارية (ثانوي)	
<ul style="list-style-type: none"> افتح مقدمة مجاري الهواء إذا استمرت المشكلة ، فاتصل بالخدمة المعتمدة 	<ul style="list-style-type: none"> قد تكون مقدمة-مخرج قنوات مدخل الهواء مغلقة 		
<ul style="list-style-type: none"> تأكد من أن بيئة عمل الجهاز ليست شديدة السخونة أو مخنوقة إذا استمرت المشكلة ، فاتصل بالخدمة المعتمدة 	<ul style="list-style-type: none"> قد تكون بيئة العمل بالجهاز شديدة السخونة أو مخنوقة 		
<ul style="list-style-type: none"> اتصل بالخدمة المعتمدة 	<ul style="list-style-type: none"> قد يكون هناك خطأ في الجهاز 	فشل النظام	E20
			E21
			E22
			E23
<ul style="list-style-type: none"> تحقق من توصيلات الهواء / الغاز ، وتأكد من أن ضغط المدخل مناسب ، إذا كان ضغط المدخل طبيعيًا ، فاتصل بالخدمة المعتمدة 	<ul style="list-style-type: none"> قد يكون ضغط المدخل منخفضًا 	ضغط المدخل منخفض	E26
<ul style="list-style-type: none"> تأكد من تركيب واقي الشعلة بشكل صحيح. إذا استمرت المشكلة ، فاتصل بالخدمة المعتمدة 	<ul style="list-style-type: none"> قد لم يتم تثبيت واقي الشعلة ، أو أنه لم يكن في مكانه 	واقي الشعلة غير مثبت	E27
<ul style="list-style-type: none"> اتصل بالخدمة المعتمدة 	<ul style="list-style-type: none"> قد يكون هناك خطأ في الجهاز 	فشل النظام	E28
<ul style="list-style-type: none"> افحص كابلات توصيل التيار الكهربائي والجهد. تأكد من توفير مدخل الجهد الصحيح. إذا كان جهد التيار الكهربائي طبيعيًا ، فاتصل بالخدمة المعتمدة 	<ul style="list-style-type: none"> قد يكون الجهد الكهربائي قد انخفض 	جهد ناقل التيار المستمر منخفض	E29

الحل	السبب	الخطأ	رمز الخطأ
<ul style="list-style-type: none"> • افحص كابلات توصيل التيار الكهربائي والجهد. تأكد من توفير مدخل الجهد الصحيح. إذا كان جهد التيار الكهربائي طبيعيًا ، فاتصل بالخدمة المعتمدة 	<ul style="list-style-type: none"> • قد يكون الجهد الكهربائي قد ارتفع 	<ul style="list-style-type: none"> • جهد ناقل التيار المستمر مرتفع 	E30
<ul style="list-style-type: none"> • اتصل بالخدمة المعتمدة 	<ul style="list-style-type: none"> • قد يكون هناك خطأ في الجهاز 	<ul style="list-style-type: none"> • فشل النظام 	E31

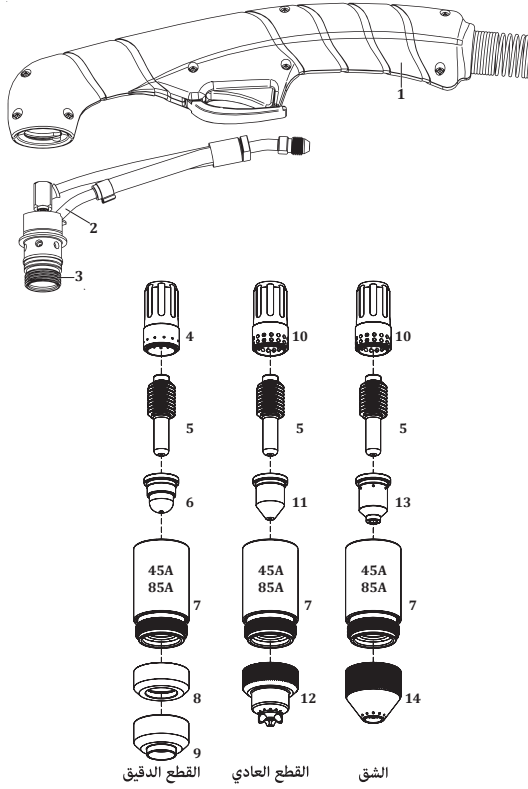
5.1 مخطط توصيلات التشغيل الآلي لقطع البلازما



منظر أمامي

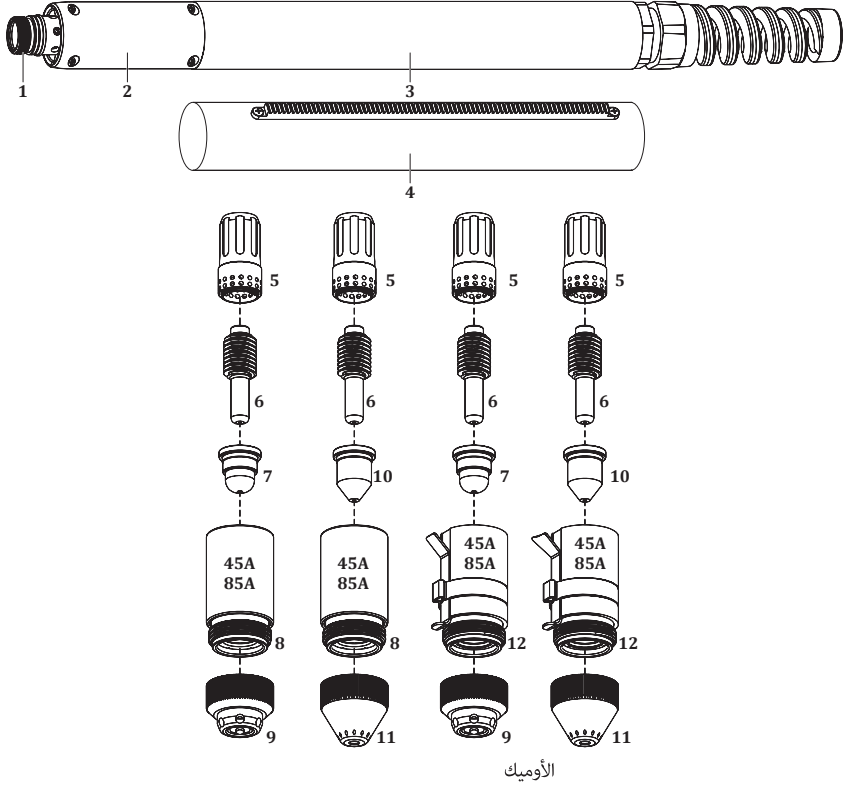
التوضيح	اسم التوصيلة	كبل كهربائي	الرقم السري
الوضع الطبيعي ملامس مفتوح. عندما يحدث قوس البلازما ، يتحول الملامس إلى الوضع المغلق. (الحد الأقصى: 220 فولت تيار مستمر 2 أمبير) ”	تأكيد القوس	أصفر	1
		قهوة	3
هناك جهد دائرة مفتوحة يبلغ 24 فولت تيار مستمر. يتطلب إغلاق الملامس الجاف للتفعيل.	إبدء (الزناد)	أخضر	2
		أبيض	5
من أجل سلامة المعدات ، يوصى بتوصيله بنقطة تأريض نظامك.	التربة	درع واق	6
إن الماكينة تجعل جهد المخرج مناسباً لنظام التحكم؛ إنه يعني تخرجاً متناسباً بنسبة 1:20 ، 1:21.1 ، 1:30 ، 1:40 ، 1:50.	Vo (+)	أحمر	7
	Vo (-)	أسود	8
ModBUS-RTU / 19200bps / 8N1 (هذه الميزة متاحة فقط لطراز PCA.)	ModBus A	رمادي	10
	ModBus B	وردي	11
	ModBus GND	أزرق	12

5.2 مستهلكات الشعلة اليدوية وقطع الغيار



كود المواد	التعريف	رقم
Y542000019	مقبض الشعلة	1
Y542000016	رأس الشعلة	2
Y542000018	الحلقة المستديرة	3
7042220947	الدوامة الحلقيّة	4
7042E00001	قطب كهربائي	5
7042220930	منفت	6
7042220854	غطاء الحماية	7
7042220955	الحماية	8
7042220931	الحماية	9
7042220857	الدوامة الحلقيّة (معياري)	10
7042220819	منفت	11
7042220818	الحماية	12
70422208NG	منفت	13
70422209SG	الحماية	14

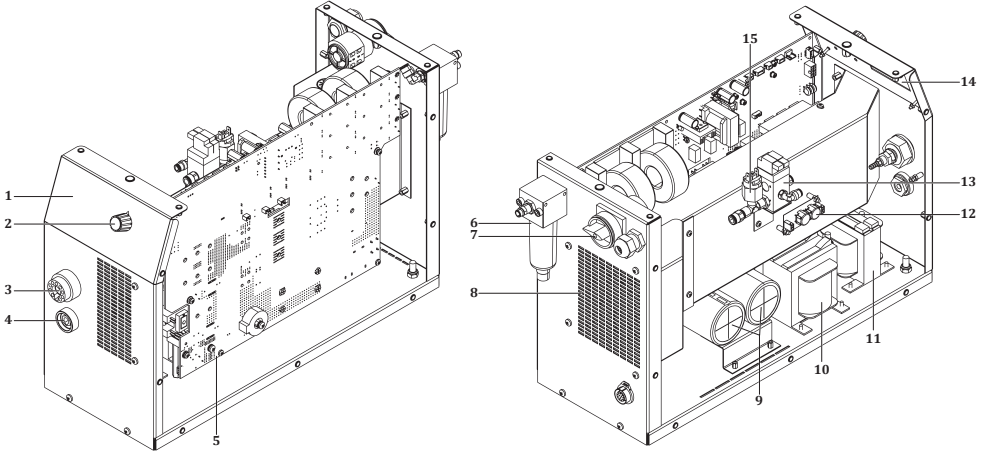
5.3 مستهلكات الشعلة الآلية وقطع الغيار



كود المواد	التعريف	رقم
Y542000018	الحلقة المستديرة	1
Y542000017	رأس الشعلة	2
Y542000020	قطعة تحديد مواقع الشعلة (معياري)	3
7942000010	قطعة تحديد مواقع الشعلة	4
7042220857	الدائمة الحلقية (معياري)	5
7042E00001	قطب كهربائي	6
7042220930	منفت	7
7042220854	غطاء الحماية	8
7042220948	الحماية	9
7042220819	منفت	10
7042220817	الحماية	11
7042220953	منفت	12

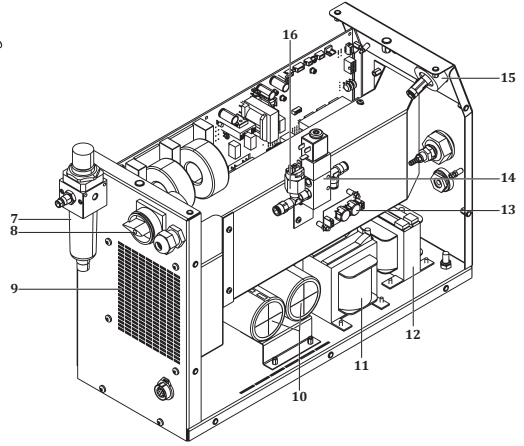
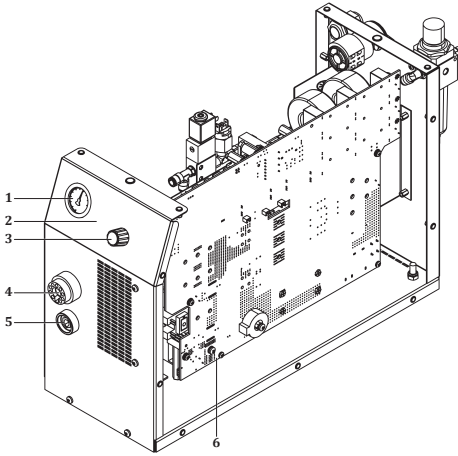
5.4 قائمة قطع غيار ماكينة قطع البلازما

ID 65 PX



ID 65 PX	التعريف	رقم
K109900170	بطاقة الغشاء	1
A229500001	زر الفعالية	2
K309000033	موصل شعلة البلازما	3
A377900103	مقبس اللحام	4
K405000330	لوحة إلكترونية E230A-1 V2.3	5
A256001242	مصفاة	6
A308000017	مفتاح ياكو	7
A250001141	المروحة	8
A420200016	مكثف كهربائي	9
A366000034	محول الطاقة	10
A421050007	ملف خنق	11
K405000327	لوحة إلكترونية E230A-4 V1.0	12
A253003050	صمام	13
K405000329	لوحة إلكترونية E230A-2 V1.3	14
A253001150	مفتاح الضغط	15

ID 65 P

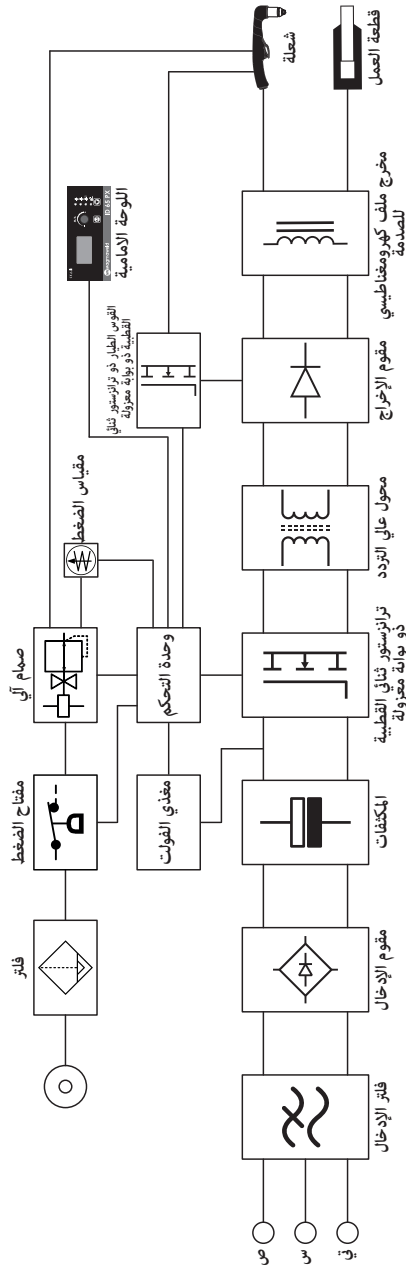


ID 65 P

رقم	التعريف	المرفات
1	المانومتر	A827000017
2	بطاقة الغشاء	K109900171
3	زر الفعالية	A229500001
4	موصل شعلة البلازما	K309000033
5	مقبس اللحام	A377900103
6	لوحة إلكترونية E230A-1 V2.3	K405000330
7	مصفاة	A256001240
8	مصفاة	A308000017
9	المروحة	A250001141
10	مكثف كهربائي	A420200016
11	محول الطاقة	A366000034
12	ملف خنق	A421050007
13	لوحة إلكترونية E230A-4 V1.0	K405000327
14	صمام	A253001151
15	لوحة إلكترونية E230A-1 V1.1	K405000328
16	مفتاح الضغط	A253001150

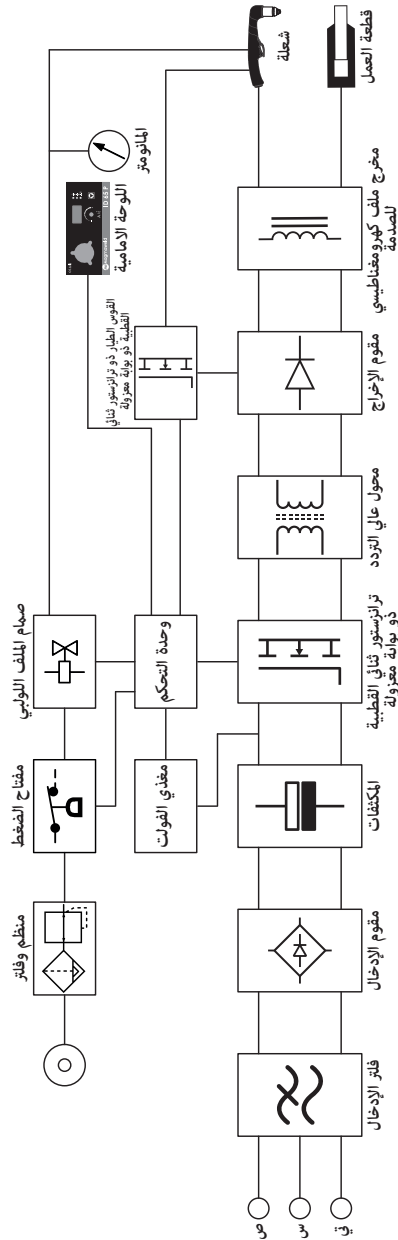
5.5 مخططات التوصيل

مخطط الكتلة
ID 65 PX



AR

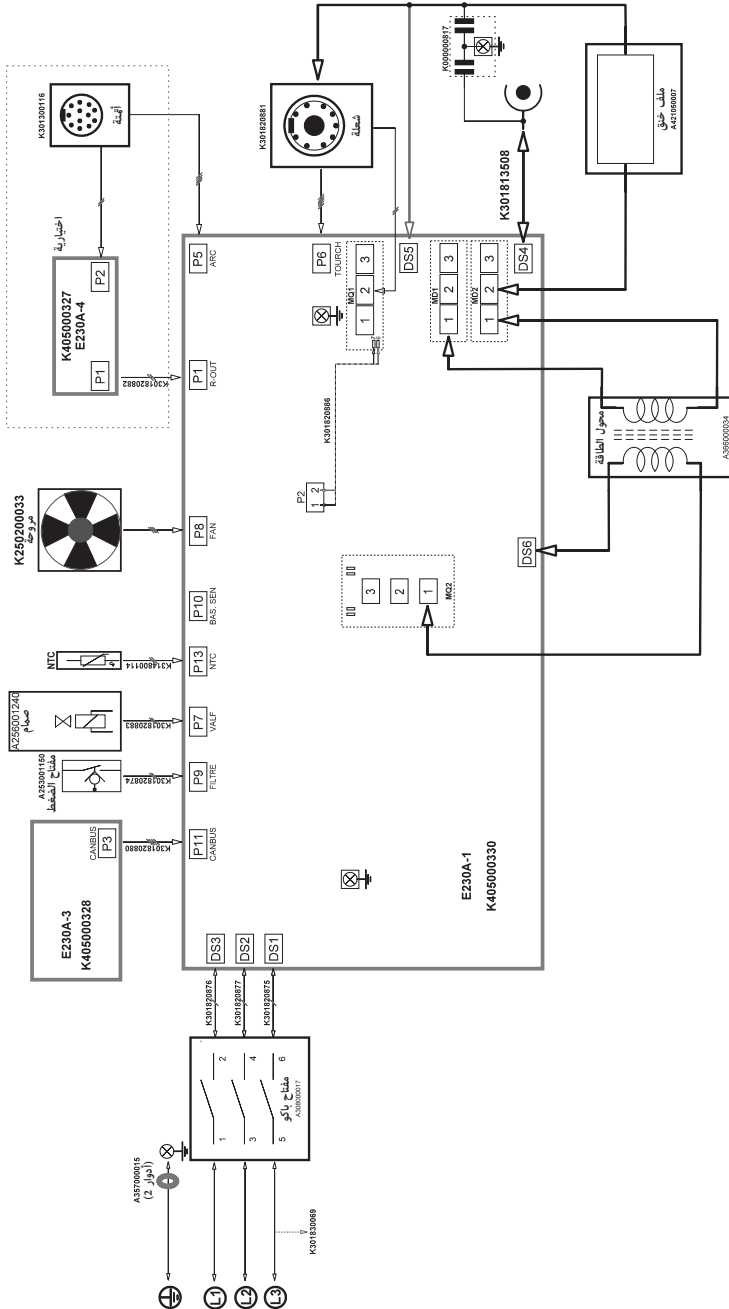
ID 65 P



AR

ID 65 P

AR



معلومات المنتج

	الطراز
	الرقم التسلسلي
	الصانع
MAGMA MEKATRONİK MAKİNE SANAYİ VE TİCARET A.Ş.	الاسم
Organize Sanayi Bölgesi 5. Kısım MANİSA	العنوان
+90 236 226 27 00 / info@magmaweld.com	الهاتف / البريد الإلكتروني

معلومات الشراء

	اسم البائع
	المدينة / البلد
	الهاتف / البريد الإلكتروني
	تاريخ الشراء

معلومات العميل

	اسم الشركة
	المدينة / البلد
	الهاتف / البريد الإلكتروني
	اسم جهة الاتصال

معلومات الخدمة (إن وجدت)

	اسم الشركة
	اسم الشخص الفني
	تاريخ التكليف (تاريخ بدء الضمان)

يرجى زيارة موقع الويب www.magmaweld.com/warranty-terms/wt للاطلاع على شروط الضمان.



İÇİNDEKİLER

	GÜVENLİK KURALLARI	284
1	TEKNİK BİLGİLER	
1.1	Genel Açıklamalar	290
1.2	Makine Bileşenleri	290
1.3	Ürün Etiketi	292
1.4	Teknik Özellikler	293
1.5	Aksesuarlar	293
2	KURULUM BİLGİLERİ	
2.1	Teslim Alırken Dikkat Edilecek Hususlar	294
2.2	Kurulum ve Çalışma Tavsiyeleri	294
2.3	Elektrik Fişi Bağlantısı	295
2.4	Şebekeye Bağlama	295
2.5	Plazma Kesme İçin Bağlantılar	295
2.5.1	Gaz Bağlantıları	295
2.5.2	Topraklama Pensesi Bağlantıları	295
2.5.3	Torç Bağlantıları	296
2.6	Sarf Malzemelerin Yerleştirilmesi	296
2.7	Pilot Ark	297
2.8	Uzaktan Kontrol	297
3	KULLANIM BİLGİLERİ	
3.1	Kullanıcı Arayüzü	300
3.2	Torç Kullanımı	304
4	BAKIM VE ARIZA BİLGİLERİ	
4.1	Bakım	305
4.2	Hata Giderme	306
4.3	Hata Kodları	308
5	EKLER	
5.1	Plazma Kesme Otomasyon Bağlantı Şeması	310
5.2	Manuel Torç Sarfları ve Yedek Parçaları	311
5.3	Mekanize Torç Sarfları ve Yedek Parçaları	312
5.4	Plazma Kesme Makinesi Yedek Parça Listesi	313
5.5	Bağlantı Şemaları	315

✓ GÜVENLİK KURALLARI

Kılavuzda Yer Alan Tüm Güvenlik Kurallarına Uyun!

Güvenlik Bilgilerinin Tanınması



- Kılavuzda yer alan güvenlik sembolleri potansiyel tehlikelerin tanımlanmasında kullanılır.
- Bu kılavuzda herhangi bir güvenlik sembolü görüldüğünde, bir yaralanma riski olduğu anlaşılmalı ve takip eden açıklamalar dikkatlice okunarak olası tehlikeler engellenmelidir.
- Makine sahibi, yetkisiz kişilerin ekipmana erişmesini engellemekten sorumludur.
- Makineyi kullanan kişiler kaynak / kesme konusunda deneyimli veya tam eğitilmiş kişiler olup, çalışma öncesinde kullanma kılavuzunu okumalı ve güvenlik uyarılarına uymalıdır.

Güvenlik Sembollerinin Tanınması



DİKKAT

Yaralanma ya da hasara neden olabilecek potansiyel tehlikeli bir durumu belirtir. Önlem alınmaması durumunda yaralanmalara veya maddi kayıplara / hasarlara neden olabilir.



ÖNEMLİ

Kullanıma yönelik bilgilendirmeleri ve uyarıları belirtir.



TEHLİKE

Ciddi tehlike olduğunu gösterir. Kaçınılması durumunda ölüm veya ağır yaralanmalar meydana gelebilir.

Güvenlik Uyarılarının Kavranması



- Kullanım kılavuzunu, makine üzerindeki etiket ve güvenlik uyarılarını dikkatli bir şekilde okuyunuz.
- Makine üzerindeki uyarı etiketlerinin iyi durumda olduğundan emin olunuz. Eksik ve hasarlı etiketleri değiştiriniz.
- Makinenin nasıl çalıştırıldığını, kontrollerinin doğru bir şekilde nasıl yapılacağını öğreniniz.
- Makinenizi uygun çalışma ortamlarında kullanınız.
- Makinenizde yapılabilecek uygunsuz değişiklikler makinenizin güvenli çalışmasına ve kullanım ömrüne olumsuz etki eder.
- Cihazın belirtilen koşullar dışında çalıştırılmasından doğan sonuçlardan üretici sorumlu değildir.

Elektrik Çarpmaları Öldürebilir



Kurulum prosedürlerinin ulusal elektrik standartlarına ve diğer ilgili yönetmeliklere uygun olduğundan emin olun ve makinenin yetkili kişiler tarafından kurulmasını sağlayın.

- Kuru ve sağlam izolasyonlu eldiven ve iş önlüğü giyin. Islak ya da hasar görmüş eldiven ve iş önlüklerini kesinlikle kullanmayın.
- Yanma riskine karşı alev dayanıklı koruyucu kıyafetler giyin. Operatörün kullandığı kıyafetler kıvılcım, sıçrıntı ve ark radyasyonuna karşı koruyucu olmalıdır.
- Yalnız başınıza çalışmayın. Bir tehlike durumunda, çalıştığınız ortamda haber verebileceğiniz birinin olduğundan emin olun.
- Elektroda çıplak elle dokunmayın. Elektrod penselinin veya elektrodun herhangi bir kişi ya da topraklanmış nesne ile temas etmesini engelleyin.
- Elektrik taşıyan parçalara kesinlikle dokunmayın.
- Eğer çalışma yüzeyine, zemine ya da başka bir makineye bağlı elektrodla temas halindeyseniz kesinlikle elektrodla dokunmayın.
- Çalışma yüzeyinden ve zeminden kendinizi izole ederek olası muhtemel elektrik şoklarından koruna bilirsiniz. Çalışma yüzeyiyle operatörün temasını kesecek kadar büyük, yamaz, elektriksiz ağırdan yalıtıkan, kuru ve hasarsız izolasyon malzemesi kullanın.
- Elektrod pensesine birden fazla elektrod bağlamayın.
- Topraklama pensesini çalışma parçası ya da çalışma masasına metal metale iyi bir temas sağlayacak şekilde olabildiğince yakın bağlayın.
- Makineyi çalıştırmadan önce torcu kontrol edin. Torcun ve kablolarının iyi durumda olduğundan emin olun. Hasarlı, yıpranmış torcu mutlaka değiştirin.
- Çift açık devre voltajı olacağı için 2 farklı makineye bağlı elektrod penselerine aynı anda dokunmayın.
- Makineyi kullanmadığınız durumlarda kapalı tutun ve kabloların bağlantılarını sökün.
- Makineyi tamir etmeden önce tüm güç bağlantılarını ve/veya bağlantı fişlerini çıkartın ya da makineyi kapatın.
- Uzun şebeke kablosu kullanırken dikkatli olun.
- Tüm bağlantıların sıkı, temiz ve kuru olduğundan emin olun.

- Kabloların kuru, temiz olmasına ve yağlanmamasına özen gösterin. Sıcak metal parçalardan ve kıvılcıklardan koruyun.
- İzolasyonsuz, çıplak kablolar ölümcül tehlike yaratır. Tüm kabloları olası hasarlarla karşı sık sık kontrol edin. Hasarlı ya da izolasyonsuz bir kablo tespit edildiğinde derhal tamir edin veya değiştirin.
- Topraklama sensesi iş parçasına bağlı değil ise herhangi bir metal nesneyle temasını önlemek için izole edin.
- Elektrik hattının topraklamasının doğru yapıldığından emin olun.
- AC kaynak çıkışı ıslak, nemli ya da sıkışık alanlarda ve düşme tehlikesi bulunan yerlerde kullanmayın.
- AC çıkışı yalnızca kaynak prosesi için gerekli olduğu durumlarda kullanın.
- AC çıkış gerekli olduğu durumlarda eğer makinanızda mevcut ise uzaktan kontrol ünitesini kullanın.

Aşağıdaki elektriksiz açıldan tehlike içeren durumlardan biri mevcut olduğunda ekstra güvenlik önlemleri alın;

- Nemli yerlerdeyken veya ıslak kıyafetler giyerken,
 - Metal zemin, ızgara veya iskele yapılarında iken,
 - Oturma, diz çökme veya yatma gibi sıkışık konumlarda iken,
 - İş parçası veya zemine temas etme riski yüksek veya kaçınılmaz olduğunda.
- Bu durumlarda aşağıdaki ekipmanlar kullanılabilir;
- Yarı otomatik DC sabit gerilim (CV) MIG kaynak makinesi,
 - DC manuel Örtülü elektrod kaynak makinesi,
 - Var ise düşük açık devre gerilimine (VRD) sahip DC veya AC kaynak makinesi.

**Elektrik Çarpması
Durumunda
Uygulanması
Gerekenler**



- Elektrik gücünü kapatın.
- Elektrik şokuna kapılmış kazazedeyi elektrik taşıyan kablo veya parçalardan kurtarmak için kuru odun gibi iletken olmayan malzemeler kullanın.
- Acil servisi arayın.

İlk yardım eğitiminiz var ise;

- Kazazede nefes alamıyorsa elektrik kaynağı ile temas kesildikten hemen sonra kalp masajı (CPR) uygulayın. Solunum başlayana veya yardım gelene kadar kalp masajına devam edin.
- Otomatik bir elektronik defibrilatörün (AED) mevcut olduğu durumlarda talimatlara uygun şekilde kullanın.
- Elektrik yanığını termal yanık gibi soğuk kompres uygulayarak tedavi edin.
- Enfeksiyon kapmasını önleyin ve temiz, kuru bir örtü ile örtün.

**Hareketli Parçalar
Yaralanmalara
Yol Açabilir**



- Hareket halinde olan nesnelere uzak durun.
- Makine ve cihazlara ait tüm kapak, panel, kapı vb. koruyucuları kapalı ve kilitli tutun.
- Ağır cisimlerin düşme olasılığına karşı metal burunlu ayakkabı giyin.

**Duman ve Gazlar
Sağlığınız İçin
Zararlı Olabilir**



Kaynak ve kesme işlemi yapılırken çıkan duman ve gazın uzun süre solunması çok tehlikelidir.

- Gözlerde, burunda ve boğazda meydana gelen yanma hissi ve tahrişler; yetersiz havalandırmanın belirtileridir. Böyle bir durumda derhal havalandırmayı arttırın, sorunun devam etmesi halinde kaynak / kesme işlemini durdurun.
- Çalışma alanında doğal ya da suni bir havalandırma sistemi oluşturun.
- Kaynak / kesme işlemi yapılan yerlerde uygun bir duman emme sistemi kullanın. Gerekiyorsa tüm atölyede biriken duman ve gazları dışarıya atabilecek bir sistem kurun. Deşarj esnasında çevreyi kirletmemek için uygun bir filtrasyon sistemi kullanın.
- Dar ve kapalı alanlarda çalışıyorsanız veya kurşun, berilyum, kadmiyum, çinko, kaplı ya da boyalı malzemelerin kaynağını yapıyorsanız, yukarıdaki önlemlere ilave olarak temiz hava sağlayan maskeler kullanın.
- Gaz tüpleri ayrı bir bölgede gruplandırılmışsa buraların iyi havalandırılması sağlayın, gaz tüpleri kullanımında değilken ana vanalarını kapalı tutun, gaz kaçaklarına dikkat edin.
- Argon gibi koruyucu gazlar havadan daha yoğun ve kapalı alanlarda kullanıldıkları takdirde havanın yerine solunabilirler. Bu da sağlığınız için tehlikelidir.
- Kaynak / kesme işlemlerini yağlama veya boyama işlemlerinde açığa çıkan klorlu hidrokarbon buharlarının olduğu ortamlarda yapmayın.
- Bazı kaynak / kesim yapılan parçalar için özel havalandırma gerekir. Özel havalandırma gerektiren ürünlerin güvenlik kuralları dikkatlice okunmalıdır. Gaz maskesi takılması gereken durumlarda uygun gaz maskesi takılmalıdır.

Siçrıntı ve Ark Işığı Gözlerinize ve Cildinize Zarar Verebilir



- Gözlerinizi ve yüzünüzü korumak için standarda uygun koruyucu maske ile ona uygun cam filtre kullanın.
- Vücutunuzun diğer çıplak kalan yerlerini (kollar, boyun, kulaklar, vb) uygun koruyucu giysilerle siçrıntı ve ark ışınlarından koruyun.
- Çevrenizdeki kişilerin ark ışınlarından ve sıcak metallere zarar görmemeleri için çalışma alanınızı göz hizasından yüksek, aleve dayanıklı paravanlarla çevirin ve uyarı levhaları asın.
- Buz tutmuş boruların ısıtılmasında kullanılmaz. Kaynak / kesme makinesiyle yapılan bu işlem tesisatınızda patlama, yangın veya hasara neden olur.

Kıvılcımlar ve Siçrayan Parçalar Gözlerinizi Yaralayabilir



- Kaynak / kesme yapmak, yüzey taşlamak, fırçalamak gibi işlemler kıvılcımlara ve metal parçacıklarının siçramasına neden olur. Oluşabilecek yaralanmaları önlemek için koruyucu maskesinin altına, kenar korumalıkları olan onaylanmış koruyucu iş gözlükleri takın.

Sıcak Parçalar Ağır Yanıklara Neden Olabilir



- Sıcak parçalara çıplak el ile dokunmayın.
- Makinenin parçaları üzerinde çalışmadan önce soğumaları için gerekli sürenin geçmesini bekleyin.
- Sıcak parçaları tutmanız gerektiğinde, uygun alet, ısıl izolasyonu yüksek kaynak / kesme eldiveni ve yanmaz giysiler kullanın.

Gürültü, Duyma Yeteneğinize Zarar Verebilir



- Bazı ekipman ve işlemlerin oluşturacağı gürültü, duyma yeteneğinize zarar verebilir.
- Eğer gürültü seviyesi yüksek ise onaylanmış kulak koruyucularını takın.

Kaynak Teli Yaralanmalara Yol Açabilir



- Kaynak teli sargısını boşaltırken torcu vücudun herhangi bir bölümüne, diğer kişilere ya da herhangi bir metale doğru tutmayın.
- Kaynak telini makaradan elle açarken özellikle ince çaplarda tel, bir yay gibi elinizden fırlayabilir, size veya çevrenizdeki diğer kişilere zarar verebilir; bu işlemi yaparken özellikle gözlerinizi ve yüzünüzü koruyun.

Kaynak / Kesme İşlemi Yangınlara ve Patlamalara Yol Açabilir



- Yanıcı maddelere yakın yerlerde kesinlikle kaynak / kesim yapmayın. Yangın çıkabilir veya patlamalar olabilir.
- Kaynak / kesme işlemine başlamadan önce bu maddeleri ortamdan uzaklaştırın veya yanmalarını ve harlamalarını önlemek için koruyucu örtülerle üstlerini örtün.
- Bu alanlarda ulusal ve uluslararası özel kurallar geçerlidir.

- Tamamen kapalı tüplere ya da borulara kaynak / kesme işlemi uygulamayın.
- Tüp ve kapalı konteynerlere kaynak / kesme yapmadan önce bunları açın, tamamıyla boşaltıp, havalandırıp temizleyin. Bu tip yerlerde yapacağımız kaynak / kesme işlemlerinde mümkün olan en büyük dikkati gösterin.
- İşlemler daha önce, patlama, yangın ya da diğer tepkimelere neden olabilecek maddeler bulunan tüp ve borulara boş dahi olsalar kaynak / kesme yapmayın.
- Kaynak / kesme işlemi esnasında yüksek sıcaklık oluşur. Bu nedenle kolay yanabilecek veya hasar görebilecek yüzeylerin üzerine yerleştirmeyin !

- Kıvılcımlar ve siçrayan parçalar yangına sebep olabilir. Bu nedenle yangın söndürücü tüp, su, kum gibi malzemeleri kolay ulaşabileceğiniz yerlerde bulundurun.
- Yanıcı, patlayıcı ve basınçlı gaz devreleri üzerinde geri tepme ventilleri, gaz regülatörleri ve vanalarını kullanın. Bunların periyodik kontrollerinin yapıpı sağlıklı çalışmasına dikkat edin.

Makine ve Aparatlarla Yetkisiz Kişiler Tarafından Bakım Yapılması Yaralanmalara Neden Olabilir



- Elektrikli cihazlar yetkisiz kişilere tamir ettirilmemelidir. Burada yapılabilecek hatalar kullanımda ciddi yaralanmalara veya ölümlere neden olabilir
- Gaz devresi elemanları basınç altında çalışmaktadır; yetkisiz kişiler tarafından verilen servisler sonucunda patlamalar olabilir, kullanıcılar ciddi şekilde yaralanabilir.
- Makinenin ve yan birimlerinin her yıl en az bir kez teknik bakımının yaptırılması tavsiye edilir.

Küçük Hacimli Kapalı Alanlarda Kaynak / Kesme



- Küçük hacimli ve kapalı alanlarda mutlaka bir başka kişi eşliğinde kaynak / kesme işlemlerini yapın.
- Mümkün olduğu kadar bu tarz kapalı yerlerde kaynak / kesme işlemleri yapmaktan kaçınınız.

Taşıma Esnasında Gerekli Önlemlerin Alınmaması Kazalara Neden Olabilir



- Makinenin taşınmasında gerekli tüm önlemleri alınız. Taşıma yapılacak alanlar, taşımada kullanılacak parçalar ile taşımayı gerçekleştirecek kişinin fiziki koşulları ve sağlığı taşıma işlemine uygun olmalıdır.
- Bazı makineler son derece ağırdır, bu nedenle yerleri değiştirirken gerekli çevresel güvenlik önlemlerinin alındığından emin olunmalıdır.
- Makine bir platform üzerinden kullanılacaksa, bu platformun uygun yük taşıma sınırlarına sahip olduğu kontrol edilmelidir.
- Bir vasıta yardımı ile (taşıma arabası, forklift vb.) taşınacak ise vasıtanın ve makineyi vasıtaya bağlayan bağlantı noktalarının (taşıma askısı, kayış, civata, somun, tekerlek vb.) sağlamlığından emin olunuz.
- Elle taşıma işlemi gerçekleştirilecek ise Makine aparatlarının (taşıma askısı, kayış vb.) ve bağlantılarının sağlamlığından emin olunuz.
- Gerekli taşıma koşullarının sağlanması için Uluslararası Çalışma Örgütünün taşıma ağırlığı ile ilgili kurallarını ve ülkenizde var olan taşıma yönetmeliklerini göz önünde bulundurunuz.
- Güç kaynağının yerini değiştirirken her zaman tutamakları veya taşıma halkalarını kullanın. Asla torç, kablo veya hortumlardan çekmeyin. Gaz tüplerini mutlaka ayrı taşıyın.
- Kaynak / kesme ekipmanlarını taşımadan önce tüm ara bağlantılarını sökün, ayrı ayrı olmak üzere, küçük olanları saplarından, büyükleri ise taşıma halkalarından ya da forklift gibi uygun kaldırma ekipmanları kullanarak kaldırın ve taşıyın.

Düşen Parçalar Yaralanmalara Sebep Olabilir



Güç kaynağının ya da diğer ekipmanların doğru konumlandırılmaması, kişilerde ciddi yaralanmalara ve diğer nesnelere de maddi hasara neden olabilir.

- Makinenin düşmeyecek ve devrilmeyecek şekilde maksimum 10° eğime sahip zemin ve platformlara yerleştirin. Malzeme akışına engel olmayacak, kablo ve hortumlara takılma riskinin oluşmayacağı, hareketsiz; ancak geniş, rahat havalandırılabilir, tozsuz alanları tercih edin. Gaz tüplerinin devrilmemesi için tüpe uygun gaz platformu bulunan makinelerde platformun üzerine, sabit kullanımlarda ise devrilmeyecek şekilde zincirle duvara sabitleyin.
- Operatörlerin makine üzerindeki ayarlara ve bağlantılara kolayca ulaşmasını sağlayın.

Aşırı Kullanım Makinenin Aşırı Isınmasına Neden Olur



- Çalışma çevrimi oranlarına göre makinenin soğumasına müsaade edin.
- Akımı veya çalışma çevrimi oranını tekrar kaynağa / kesmeye başlamadan önce düşürün.
- Makinenin havalandırma girişlerinin önünü kapamayın.
- Makinenin havalandırma girişlerine, üretici onayı olmadan filtre koymayın.

Ark Kaynağı Elektromanyetik Parazitlere Neden Olabilir



Bu cihaz IEC 61000 -3 - 12 uyumlu değildir. Evlerde kullanılan alçak gerilim şebekesine bağlanmak istenmesi durumunda, elektrik bağlantısını yapacak tesisatçının veya makineyi kullanacak kişinin, makinenin bağlanabilirliği konusunda bilgi sahibi olması gereklidir, bu durumda sorumluluk kullanıcıya aittir.

- Bu cihaz TS EN 55011 standardına göre EMC testlerinde grup 2, class A dir.
- Bu class A cihaz elektriksel gücün alçak gerilim şebekeden sağlandığı meskun mahallerde kullanım amacıyla üretilmemiştir. Bu gibi yerlerde iletilen ve yayılan radyo frekans parazitlerinden dolayı elektromanyetik uyumluluğu sağlamakla ilgili muhtemel zorluklar olabilir.
- Çalışma bölgesinin elektromanyetik uyumluluğa (EMC) uygun olduğundan emin olun. Kaynak / kesme işlemi esnasında oluşabilecek elektromanyetik parazitler, elektronik cihazlarınızda ve şebekenizde istenmeyen etkilere neden olabilir. İşlem sırasında oluşabilecek bu parazitlerin neden olabileceği etkiler kullanıcının sorumluluğu altındadır.
- Eğer herhangi bir parazit oluşuyorsa, uygunluğu sağlamak için; kısa kablo kullanımı, korumalı (zırhlı) kablo kullanımı, makinenin başka bir yere taşınması, kabloların etkilenen cihaz ve/veya bölgeden uzaklaştırılması, filtre kullanımı veya çalışma alanının EMC açısından korunmaya alınması gibi ekstra önlemler alınabilir.
- Olası EMC hasarlarını engellemek için kaynak / kesme işlemlerinizi hassas elektronik cihazlarınızdan mümkün olduğunca uzakta (100 m) gerçekleştirin.
- Makinenizi kullanma kılavuzuna uygun şekilde kurulum yerleştirildiğinden emin olun.

Çalışma Alanının IEC 60974-9 madde 5.2'ye göre;**Elektromanyetik Uygunluğunun Değerlendirilmesi**

Kaynak / kesme donanımı tesis etmeden önce, işletme yetkilisi ve / veya kullanıcı, çevredeki olası elektromanyetik parazitler hakkında bir inceleme yapmalıdır. Aşağıda belirtilen haller göz önünde bulundurulmalıdır;

- Kaynak / kesme makinesi ve donanımının üstünde, altında ve yanındaki diğer besleme kabloları, kontrol kabloları, sinyal ve telefon kabloları,
- Radyo ve televizyon vericileri ve alıcıları,
- Bilgisayar ve diğer kontrol donanımı,
- Kritik güvenlik donanımı, örneğin endüstriyel donanımın korunması,
- Çevredeki insanların tıbbi aparatları, örneğin kalp pilleri ve işitme cihazları,
- Ölçme veya kalibrasyon için kullanılan donanım,
- Ortamdaki diğer donanımın bağlılığı. Kullanıcı, çevrede kullanılmakta olan diğer donanımın uyumlu olmasını sağlamalıdır. Bu, ilave koruma önlemleri gerektirebilir,
- Kaynak / kesme işleminin gün içindeki gerçekleştirileceği zaman, göz önüne alınarak çevrenin büyüklüğü, binanın yapısına ve binada yapılmakta olan diğer faaliyetlere göre inceleme alanı sınırları genişletilebilir.

Alanın değerlendirilmesine ek olarak cihaz kurulumlarının değerlendirilmesi de bozucu etkinin çözümü için gerekli olabilir. Gerek görülmesi durumunda, yerinde ölçümler azaltıcı önlemlerin verimliliklerini onaylamak için de kullanılabilir.

(Kaynak: IEC 60974-9).

Parazit Azaltma Yöntemleri

- Cihaz tavsiye edilen şekilde ve yetkili bir kişi tarafından elektrik şebekesine bağlanmalıdır. Eğer parazit oluşursa şebekenin filtrelenmesi gibi ek önlemler uygulanabilir. Sabit montajlı ark kaynağı ekipmanının beslemesi metal bir boru içerisinden veya eşdeğer ekranlı bir kablo ile yapılmalıdır. Ekran ile güç kaynağının mahfazası bağlı olmalı ve bu iki yapı arasında iyi bir elektriksel temas sağlanmalıdır.
- Cihazın tavsiye edilen rutin bakımları yapılmalıdır. Cihaz kullanımdayken, kaportanın tüm kapakları kapalı ve / veya kilitle olmalıdır. Cihaz üzerinde üreticinin yazılı onayı olmadan standart ayarları dışında herhangi bir değişiklik, modifikasyon kesinlikle yapılamaz. Aksi durumda oluşabilecek her türlü sonuçtan kullanıcı sorumludur.
- Kaynak / kesme kabloları mümkün olduğunca kısa tutulmalıdır. Çalışma alanının zemininden yan yana olacak şekilde ilerlemelidirler. Kaynak / kesme kabloları hiçbir şekilde sarılmamalıdır.
- Kaynak / kesme esasında makinede manyetik alan oluşmaktadır. Bu durum makinenin metal parçaları kendi üzerine çekmeye sebebiyet verebilir. Bu çekimi engellemek adına metal malzemelerin güvenli mesafede veya sabitlenmiş olduğundan emin olunuz. Operatör, bütün bu birbirine bağlanmış metal malzemelerden yalıtılmalıdır.
- İş parçasının elektriksel güvenlik amacıyla veya boyutu ve pozisyonu sebebiyle toprağa bağlanmadığı durumlarda (örneğin gemi gövdesi veya çelik konstrüksiyon imalatı) iş parçası ile toprak arasında yapılacak bir bağlantı bazı durumlarda emisyonları düşürebilir. İş parçasının topraklanmasının kullanıcıların yaralanmasına veya ortamdaki diğer elektrikli ekipmanların arıza yapmasına neden olabileceği unutulmamalıdır. Gerekli hallerde iş parçası ile toprak bağlantısı doğrudan yapılabılır fakat doğrudan bağlantıya izin verilemeyen bazı ülkelerde bağlantı yerel düzenleme ve yönetmeliklere uygun olarak, uygun kapasite elemanları kullanılarak oluşturulabilir.
- Çalışma alanındaki diğer cihazların ve kabloların ekranlanması ve muhafazası bozucu etkilerin önüne geçilmesini sağlayabilir. Kaynak / kesme bölgesinin tamamının ekranlanması bazı özel uygulamalar için değerlendirilebilir.

Elektromanyetik Alan (EMF)

Herhangi bir iletken üzerinden geçen elektrik akımı, bölgesel elektrik ve manyetik alanlar (EMF) oluşturur.

Operatörler EMF'ye maruz kalmının sebep olduğu riski en aza indirmek için aşağıdaki prosedürleri uygulamalıdır;

- Manyetik alanı azaltmak adına kaynak / kesme kabloları bir araya getirilmeli, mümkün olduğunca birleştirici malzemelerle (bant, kablo bağı vb.) emniyet altına alınmalıdır.
- Operatörün gövdesi ve başı, kaynak / kesme makine ve kablolarından mümkün olduğunca uzakta tutulmalıdır,
- Kaynak / kesme ve elektrik kabloları vücudun etrafına hiçbir şekilde sarılmamalıdır,
- Vücut, kaynak / kesme kablolarının arasında kalmamalıdır. Kaynak / kesme kablolarının her ikisi yan yana olmak üzere vücudun uzağında tutulmalıdır,
- Dönüş kablosu iş parçasına, kaynak / kesme yapılan bölgeye mümkün olduğunca yakın bir şekilde bağlanmalıdır,
- Güç ünitesine yaslanmamalı, üzerine oturmamalı ve çok yakınında çalışılmamalıdır,
- Güç ünitesini veya tel besleme ünitesini taşıırken kaynak / kesme işlemi yapılmamalıdır.

EMF ayrıca, kalp pilleri gibi tıbbi implantların (vücut içine yerleştirilen madde) çalışmasını bozabilir. Tıbbi implantları olan kişiler için koruyucu önlemler alınmalıdır. Örneğin, yoldan geçenler için erişim sınırlaması koyulabilir veya operatörler için bireysel risk değerlendirmeleri yapılabilir. Bir tıp uzmanı tarafından, tıbbi implantları olan kullanıcılar için risk değerlendirmesi yapıp, öneride bulunulmalıdır.

**Koruma**

- Makineyi yağmura maruz bırakmayın, üzerine su sıçramasına veya basınçlı buhar gelmesine engel olun.

Enerji Verimliliği

- Yapacağınız kaynak / kesme işlemine uygun yöntem ve makine tercihinde bulunun.
- Kaynak / kesme yapacağınız malzemeye ve kalınlığına uygun akım ve / veya gerilimi seçin.
- Kaynak / kesme yapmadan uzun süre beklenilecekse, fan makineyi soğuttuktan sonra makineyi kapatın. Akıllı fan kontrolü olan makinelerimiz kendi kendine duracaktır.

Atık Prosedürü

- Bu cihaz evsel atık değildir. Avrupa Birliği direktifi ile ulusal yasa çerçevesinde geri dönüşüme yönlendirilmek zorundadır.
- Kullanılmış makinенizin atık yönetimi hakkında satıcınızdan ve yetkili kişilerden bilgi edinin.

GARANTİ FORMU

Garanti Formu için www.magmaweld.com.tr/garanti-formu/wr web sitemizi ziyaret ediniz.

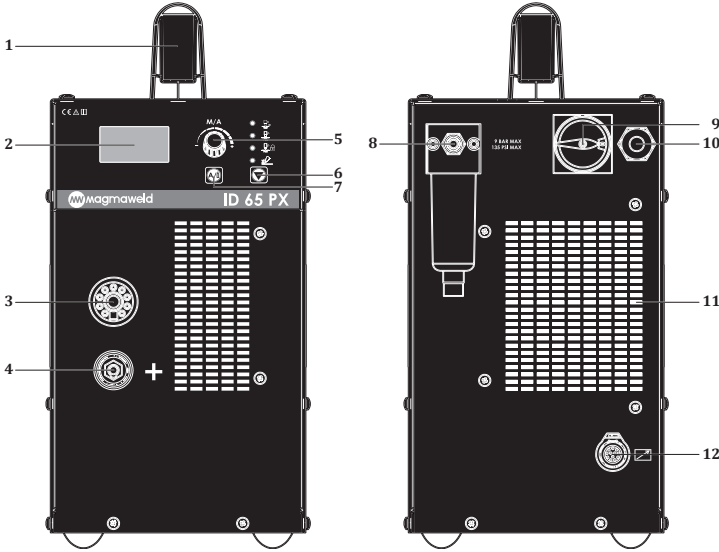


TEKNİK BİLGİLER

1.1 Genel Açıklamalar

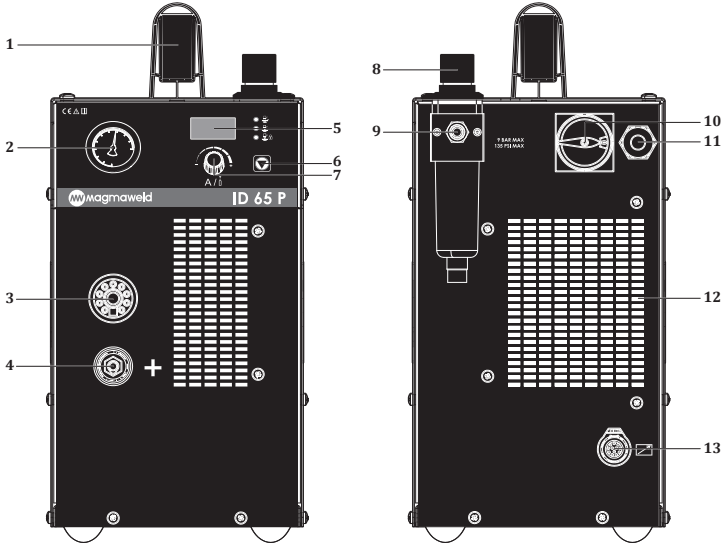
ID 65 PX ve ID 65 P kesme ve oluk açma uygulamaları için tasarlanmış, yüksek performansa sahip plazma kesme makinasıdır. Kompakt tasarımı ile hafif ve taşınabilir bir yapıdadır. Mükemmel kesim ve oluk açma performansı sunar. ID 65 PX modelde kesim esnasında gerekli gaz basıncı kesim moduna ve kullanılan torça göre otomatik olarak ayarlanır. ID 65 P modelinde ise gerekli gaz basıncı ayarını manuel olarak yapmak gerekir.

1.2 Makine Bileşenleri



Şekil 1 : ID 65 PX Ön ve Arka Görünüm




- | | |
|------------------------------|--------------------------------|
| 1- Tutamak | 7- Akım / Gaz Seçimi Butonu |
| 2- Dijital Ekran | 8- Hava Filtresi |
| 3- Torç Konnektörü | 9- Açma / Kapama Şalteri |
| 4- Topraklama Bağlantısı (+) | 10- Güç Bağlantısı |
| 5- Ayar Potu | 11- Fan |
| 6- Kesim Modu Seçim Butonu | 12- Uzaktan Kontrol Konnektörü |






Şekil 2 : ID 65 P Ön ve Arka Görünüm

- | | |
|----------------------------------|--------------------------------|
| 1- Tutamak | 8- Gaz Basıncı Ayar Potu |
| 2- Manuel Gaz Basıncı Göstergesi | 9- Hava Filtresi |
| 3- Torç Konnektörü | 10- Açma / Kapama Şalteri |
| 4- Topraklama Bağlantısı (+) | 11- Güç Bağlantısı |
| 5- Dijital Ekran | 12- Fan |
| 6- Kesim Modu Seçim Butonu | 13- Uzaktan Kontrol Konnektörü |
| 7- Ayar Potu | |

1.3 Ürün Etiketi

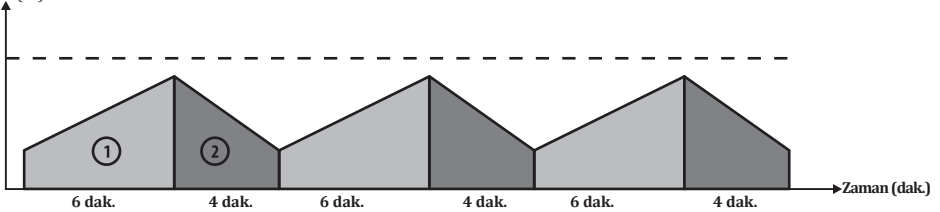
MAGMA MEKATRONİK MAKİNE SAN. VE TİC. A.Ş. Organize Sanayi Bölgesi 5.Kısım Manisa-TÜRKİYE					
ID 65 PX		S/N:			
		EN 60974-1/-10 Cl. A			
	20A / 88V - 65A / 106V				
S	U ₀ =280V	X ^(40°C)	50%	60%	100%
		I ₂	65A	59A	46A
		U ₂	106V	103.7V	98.4V
	U _i =400V	I _{1max} = 17.8A	I _{1eff} = 12.61A		
IP21S		CE	EAC	UK CA	

MAGMA MEKATRONİK MAKİNE SAN. VE TİC. A.Ş. Organize Sanayi Bölgesi 5.Kısım Manisa-TÜRKİYE					
ID 65 P		S/N:			
		EN 60974-1/-10 Cl. A			
	20A / 88V - 65A / 106V				
S	U ₀ =280V	X ^(40°C)	50%	60%	100%
		I ₂	65A	59A	46A
		U ₂	106V	103.7V	98.4V
	U _i =400V	I _{1max} = 17.8A	I _{1eff} = 12.61A		
IP21S		CE	EAC	UK CA	

	Üç Fazlı Transformatör Doğrultucu
	Düşey Karakteristik
	Doğru Akım
	Plazma Kesim
	Şebeke Girişi-3 Fazlı Alternatif Akım
	Tehlikeli Ortamlarda Çalışmaya Uygun

X	Çalışma Çevrimi
U ₀	Boşta Çalışma Gerilimi
U ₁	Şebeke Gerilimi ve Frekansı
U ₂	Anma Kaynak Gerilimi
I ₁	Şebekeden Çekilen Anma Akımı
I ₂	Anma Kaynak Akımı
S ₁	Şebekeden Çekilen Güç
IP21	Koruma Sınıfı

Çalışma Çevrimi
Sıcaklık (°C)



EN 60974-1 standardında da tanımlandığı üzere çalışma çevrim oranı 10 dakikalık bir zaman periyodunu içerir. Örnek olarak %60'da 100A olarak belirtilen bir makinede 100A'da çalışılmak isteniyorsa, makine 10 dakikalık zaman periyodunun ilk 6 dakikasında hiç durmadan kesim yapabilir (1 bölgesi). Ancak bunu takip eden 4 dakika makine soğuması için boşta bekletilmelidir (2 bölgesi).

1.4 Teknik Özellikler

TEKNİK ÖZELLİKLER	BİRİM	ID 65 PX	ID 65 P
Şebeke Gerilimi (3 faz - 50-60 Hz)	V	400	400
Şebekeden Çekilen Güç	kVA	12,3	12,3
Akım Ayar Sahası	ADC	20 - 65	20 - 65
Anma Akımı	ADC	65	65
Açık Devre Gerilimi	VDC	270	270
Önerilen Kesme Kalınlığı (Tüm metaller)	mm	22 (500 mm/dak.)	22 (500 mm/dak.)
Maksimum Kesme Kalınlığı (Tüm metaller)	mm	28 (250 mm/dak.)	28 (250 mm/dak.)
Koparma Kalınlığı (Tüm metaller)	mm	35 (125 mm/dak.)	35 (125 mm/dak.)
Oluk Açma (3,5 mm D x 6,6 mm G)	kg	5 (1 Saatte)	5 (1 Saatte)
Boyutlar (UxGxY)	mm	628.1 x 219.3 x 453.7	628.1 x 219.3 x 453.7
Ağırlık	kg	26	26
Koruma Sınıfı		IP21S	IP21S

Tablodaki kesme hızları, Magmaweld'in laboratuvar testlerinin sonuçlarıdır. Farklı kesim uygulamaları ve ortam koşullarına göre değişkenlik gösterebilir.

1.5 Aksesuarlar

STANDART AKSESUARLAR	ADET	ÜRÜN KODU
Topraklama Pensesi ve Kablosu	1	K301100343
Torç (Manuel) *	1	7142H10506
Torç (Mekanize) *	1	7142M10512

* Sipariş esnasında belirtilmelidir.

KURULUM BİLGİLERİ

2.1 Teslim Alırken Dikkat Edilecek Hususlar

Sipariş ettiğiniz tüm malzemelerin gelmiş olduğundan emin olun. Herhangi bir malzemenin eksik veya hasarlı olması halinde derhal aldığımız yer ile temasa geçin.

Standart kutu şunları içermektedir;

- Ana makine ve ona bağlı şebeke kablosu
- Torç ve Sarfları
- Topraklama pensesi ve kablosu
- Garanti belgesi
- Kullanım kılavuzu

Hasarlı teslimat halinde tutanak tutun, hasarın resmini çekin, irsaliyenin fotokopisi ile birlikte nakliyeciy firmaya bildirin. Sorunun devam etmesi halinde müşteri hizmetleri ile irtibata geçin.

Cihaz üzerindeki sembol ve anlamları;



Plazma kesme / kaynak işlemi tehlike içermektedir. Uygun çalışma koşulları sağlanmalı ve gerekli önlemler alınmalıdır. Uzman kişiler makinede sorumlu olup, gerekli donanımları sağlamalıdır. İlgili olmayan kişiler çalışma sahasından uzak tutulmalıdır.



Bu cihaz IEC 61000-3-12 uyumlu değildir. Evlerde kullanılan alçak gerilim şebekesine bağlanmak istenmesi durumunda, elektrik bağlantısını yapacak tesisatçının veya makineyi kullanacak kişinin, makinenin bağlanabilirliği konusunda bilgi sahibi olması gereklidir, bu durumda sorumluluk kullanıcıya aittir.



Cihaz üzerinde ve kullanım kılavuzunda bulunan güvenlik sembollerine ve uyarı notlarına dikkat edilmeli, etiketleri sökülmemelidir.



Izgaralar havalandırma amaçlıdır. Açıklıkların üzeri iyi bir soğutma sağlamak amacıyla örtülmemelidir ve içeriye yabancı cisim sokulmamalıdır.

2.2 Kurulum ve Çalışma Tavsiyeleri

- Makineyi taşımak için kaldırma halkaları ya da forklift kullanılmalıdır. Makineyi gaz tüpüyle birlikte kaldırmayın. Çanta tipi taşınabilir kaynak makinelerinde elle taşıma yapılırken İş Sağlığı ve Güvenliği yönetmeliğine uygun şekilde hareket edilmelidir. Taşıma işleminin mümkün olduğu kadar sağlık ve güvenlik şartlarına uygun olarak yapılabilmesi için işyerinde gerekli düzenlemeler yapılmalıdır. Çalışma ortamının özellikleri ve yapılan işin gereklerine uygun önlemler alınmalıdır. Makine düşmeyeceği ve devrilmeyeceği sert, düzgün ve eğimsiz bir zemine yerleştirilmelidir.
- Makineyi direk güneş ışığı altında çalıştırmayın. Ortam sıcaklığının 40°C aştığı durumlarda, makineyi daha düşük akımda ya da daha çevrim oranında çalıştırın.
- Dış mekanlarda rüzgar ve yağmur varken plazma kesme işlemi yapmaktan kaçınınız. Bu tür durumlarda plazma kesme işlemi yapmak zorunluysa, plazma kesme işlemi yapılacak bölgeyi ve plazma kesme makinesini yangına karşı dayanıklı perde ve tenteye koruyun.
- Makineyi konumlandırırken duvar, pano gibi materyallerin makinenin kontrol ve bağlantılarına kolay erişimi engellemediğinden emin olun.
- İçeride plazma kesme işlemi yapıyorsanız, uygun bir duman emme sistemi kullanın. Plazma kesme işlemi sağlıklı zararlı kesilmiş parça tozu, duman ve gaz çıkışına neden olur. Kapalı alanlarda duman, parça tozu ve gaz solunma riski varsa, solunum aparatları kullanın.
- Ürün etiketinde belirtilen çalışma çevrimi oranlarına uyun. Çalışma çevrimi oranlarını sıklıkla aşmak, makineye hasar verebilir ve bu durum garantiyi geçersiz kılabilir.
- Belirtilen sigorta değerine uygun beslenme kablosu kullanılmalıdır.
- Yerel ve ulusal elektrik mevzuatına uygun olarak güç kaynağı topraklanmalıdır.
- Gaz kaynağı bağlantılarının doğru yapıldığından emin olun. Gaz kaynağı tüpte sıkıştırılmış şekilde ise gaz tüpünü devrilmeyecek şekilde sabitleyin.

2.3 Elektrik Fişi Bağlantısı



Güvenliğiniz için, makinenin şebeke kablosunu kesinlikle fişsiz kullanmayın. Donanımı sisteme uygun geçikmeli sigortalar ve acil bir durumda gelen elektriği hızla kapatacak acil durum şalteri ile koruyun.

- Güç kaynağınız için uygun şase kablosu kullanın. Şase konektörünü güç kaynağı üzerindeki yuvaya itin ve yuvaya oturtun, bağlantının sıkı olduğundan emin olun.
- Elektrik bağlantı işlemleri yetkili bir elektrikçi tarafından, yerel ve ulusal mevzuata uygun şekilde yapılmalıdır.

2.4 Şebekeye Bağlama



Fişi prize takarken, makinenin açma kapama anahtarının "0" konumunda olduğundan emin olun.

- Makine şebekeye bağlamadan önce 3 fazlı bir voltmetre ile kontrol edin. Her fazın doğru olduğunu tespit ettikten sonra fişi prize takın.
- Açma/Kapama anahtarı ile makineyi çalıştırın.
- Ekranında MW sembolünü gördükten sonra makine başlamaya hazır olur. (ID 65 PX)
- Anahtarı tekrar "0" konumuna getirerek makineyi kapatın.

2.5 Plazma Kesme İçin Bağlantılar



Kesim işlemi yapılırken dikkatli olunmalı, uygun koruyucu kıyafetler ve eldivenler kullanılmalıdır.

2.5.1 Gaz Bağlantıları

- Eğer gaz kaynağı atölyede veya gaz tüpünde ise gaz regülatörü kullanılmalı ve bu regülatör makine üzerindeki hava girişine gaz verebilmelidir.
- Gaz tüpü kullanılan durumlarda, gaz tüpünü devrilmeyecek şekilde sabitleyin.
- Emniyetle çalışmak ve en iyi sonuçları elde etmek için standartlara uygun regülatör kullanın ve gaz besleme kalitesinin standartlara uygun olduğundan emin olun. Gaz besleme kalitesi kesim performansını ve sarf kalitesini etkileyecektir.
- Gaz hattının yağ, toz gibi kirleticilerden korunmasına dikkat edin.
- Gaz tüpü vanasını bir süre açık tutarak, olası tortu ve partiküllerin dışarı atılmasını sağlayın.
- Gaz regülatörünün gaz tüpüne bağlayın, gaz tüpünün gaz çıkışındaki vida dişi ile regülatörün somununun örtüştüğünden emin olun.
- Tüp hortumunun bir ucunu gaz regülatörüne, diğer ucunu makinenin arkasındaki gaz girişine bağlayıp gaz tüpü vanasını açın.
- Basınç ayar vanası ile gaz debisini ayarlayın.
- Bağlantılarda sızıntı olmadığından emin olun.
- Giriş gaz basıncında üst sımırın aşılması durumunda hava filtresi hasar görebilir.

Gaz Kaynağı	Temiz, kuru, yağsız hava veya azot
Önerilen gaz giriş akış oranı / basıncı	Kesme: 5,5 bar'da 185 l / dk. Oluk Açma: 4,6 bar'da 208 l / dk.

2.5.2 Topraklama Pensesi Bağlantıları

- Topraklama pensesi kablosunun fişini makine üzerindeki topraklama soketine sokup sağa çevirerek iyice sıkın. Bağlantının yapıldığından emin olun.
- Kesim kalitesini arttırmak için, topraklama pensesini, kesim yapılacak bölgeye olabildiğince yakın bir yerde, iş parçasına sıkıca bağlayın.

- Metalden metale temasın iyi olduğundan emin olun. Topraklama pensesini metalin düşecek kısmına asla bağlamayın.



Kişisel güvenliği sağlamak, elektromanyetik parazitlenmeyi azaltmak ve uygun çalışma koşullarını oluşturmak için güç kaynağı ulusal ve yerel elektrik mevzuatları uyarınca topraklanmalıdır.

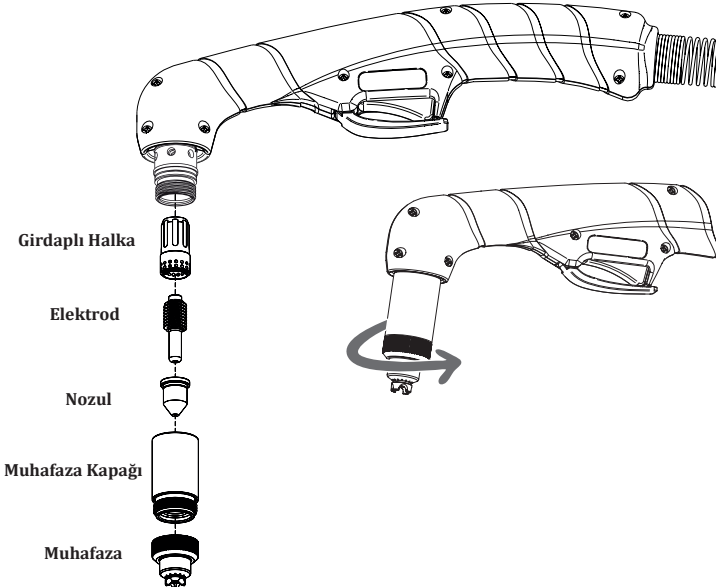
2.5.3 Torç Bağlantıları

- Güç kaynağı ile kullanılacak kesim yöntemine göre Magmaweld markalı plazma kesme torcu kullanılmalıdır.
- Manuel kesim için manuel torç, mekanize kesim için mekanize torç kullanılır.
- Torç bağlantısı için torç konnektörünü güç kaynağı üzerindeki yuvasına sokup sağa doğru çevirin. Bağlantının tamamlandığından emin olun.
- Torç bağlantısı yapılırken güç kaynağını kapalı tutun.
- Torçlar hakkında detaylı bilgi almak için 5.1'e bakınız.



2.6 Sarf Malzemelerin Yerleştirilmesi

- Manuel ve mekanize plazma kesme torcu için kullanılan malzemeler birbirinden farklıdır.
- Öncelikle torcun sarflarının hazırlanması gerekir.
- Kullanılan torç tipine ve yönteme göre uygun sarf malzemeleri seçilmelidir.
- Belirtilen sırada sarflar takılmalıdır.



- Sarf malzemelerin ömrü kesim yapılacak malzemeye, kesim kalınlığına, kesim uzunluğuna, kesim yöntemine, malzemeye olan uygun mesafeye, hava kalitesine ve patlatma sıklığına bağlıdır. Patlatma sıklığı fazla ise sarf malzeme daha çabuk aşınacaktır.
- Muhafazalı sarf malzemeleriyle çalışırken, torç ucu kesim sırasında kesim yapılacak metale dokunabilir. Muhafazasız sarf malzemeleriyle çalışırken ise kesim yapılacak parça ile torç arasında 2 - 3 mm gibi bir mesafe olmalıdır.
- Sarflar hakkında detaylı bilgi almak için 5.1'e bakınız.



**Torç tetiğine basıldığında plazma arkı hemen oluşur.
Plazma sarflarını değiştirirken güç kaynağın kapalı olduğundan emin olun.**

2.7 Pilot Ark

Plazma kesme işleminde yüksek elektriksel iletkenliğe sahip iyonize gaz kullanılır. Plazma torcu tetiklendiği an DC güç etkinleştirilir ve kısa bir süre içerisinde torçta hızlı bir gaz akışı başlar. Bu DC güç torçtaki gazı iyonize eder ve ark oluşur. Torç sayesinde daraltılarak yoğunlaştırılan bu arka pilot ark denir. Pilot ark, yüksek hızla akan gazlarla torç ağızından dışarı çıkmaya zorlanır. Kesim yapılacak metale temas ettiğinde ana akım oluşur ve kesim başlar. Torç hareket ettirilerek kesim işlemi devam ettirilir.

2.8 Uzaktan Kontrol

Uzaktan kontrol sadece mekanize torç kullanıldığında aktif olacaktır. Makinenin arkasında uzaktan kontrol için soket yuvası bulunmaktadır. Güç kaynağı arkasında bulunan soket yuvasına gerekli bağlantı yapıldığında ark gerilimine ulaşım sağlar, ark transferi ve plazma başlatma için sinyal verir. Otomasyon bağlantı şeması hakkında detaylı bilgi almak için 5.2'ye bakınız.

Gerilim Bölücü Ayarı

Güç kaynağı beş konumlu bir gerilim bölücüye sahiptir. Voltaj bilgisi gerilim bölücü yardımıyla değiştirilir. Gerilim bölücü fabrika ayarı 20:1 olarak ayarlanmıştır. Aşağıdaki tabloda gerilim bölücü ayarı için DIP anahtarların konumu gösterilmiştir.



20:1



20.1:1



30:1



40:1



50:1



: Anahtarın yukarıda olduğunu göstermektedir.

ID65 PX plazma kesme makinesinin kullandığı dijital ve analog haberleşme olmak üzere 2 tip otomasyon arayüzü vardır:

ID65 P plazma kesme makinesinde ise sadece analog haberleşme otomasyon arayüzü vardır.

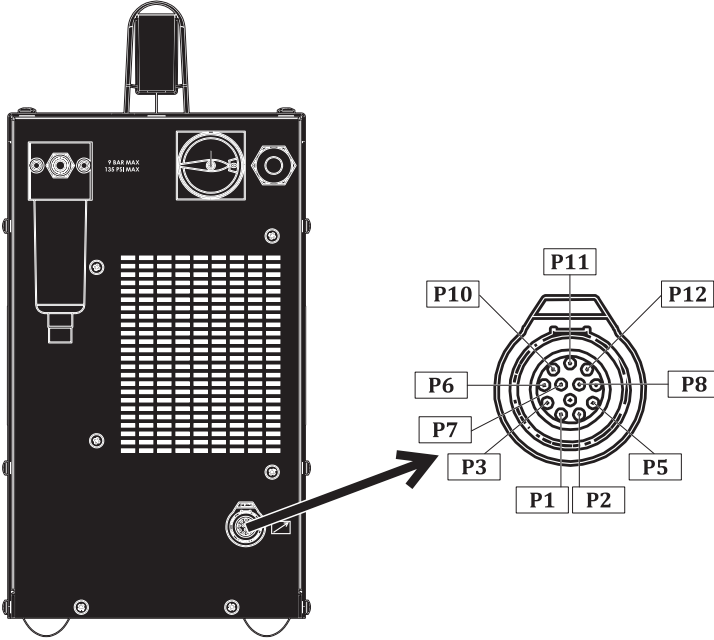
1) Dijital Haberleşme

Makine içerisine ek soket ve kart eklenir. Bunları kullanarak Modbus üzerinden dijital haberleşme yapılır.

Analog haberleşmeye ek olarak;

- Makine akımı uzaktan ayarlanabilir.
- Kesme akımı ve gaz basıncı kesim yapılacak malzemelere göre uzaktan ayarlanabilir.
- Makine mod değişimi uzaktan yapılabilir.
- Makinedeki hata kodlarının tamamı otomasyon arayüzüne gönderilebilir. Bu sayede tezgahın durması ya da operatörün uyarılması sağlanır.

Makine arayüz kablosu boyunca kullanılacak sinyaller için konnektör soketleri aşağıdaki şekilde gösterilmiştir. Tabloda sinyaller hakkında bilgi mevcuttur. Güç kaynağının makine arayüz kablosu ile CNC tezgah ya da torç yükseklik kontrol cihazına bağlanacağı durumlarda aşağıdaki tablo dikkate alınmalıdır:



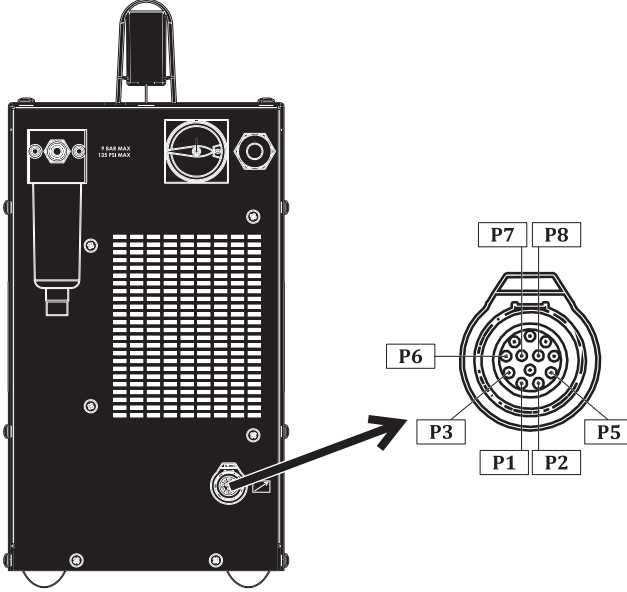
TR

Bağlantı Adı	Konnektör Soketi	Açıklama
Başlat (Tetik)	P5, P2	24 VDC Açık devre gerilimi bulunur. Etkinleştirmek için kuru kontak kapatma gerektirir.
Ark Onayı	P1, P3	Normalde açık kontak. Plazma ark gerçekleştiğinde kontak kapalı duruma geçer. (Max : 220 VDC 2A)
Haberleşme	P10 (A) P11 (B) P12 (GND)	ModBus
Gerilim Bölücü	P7 (+) P8 (-)	Makine çıkış gerilimini kontrol sistemine uygun duruma getirir. 20:1, 21.1:1, 30:1, 40:1, 50:1 bölünmüş çıkış verir.
Toprak	P6	Teçhizat güvenliği için sisteminizin topraklama noktasına bağlamanız önerilir.

2) Analog Haberleşme

Kuru kontak yapısı ile çalışır. Otomasyon birimi kuru kontak ile plazma makinesine çalışması için uyarı gönderir, plazma pilot arki oluşturur. Plazma makinesi pilot arki oluşturduktan sonra kuru kontak yapısı ile otomasyon birimine uyarı gönderir. Makine, kesim işlemine başladığı an otomasyon ara biriminin yükseklik ayarı yapabilmesi için plazma ark voltajını bildirir.

Makine arayüz kablosu boyunca kullanılacak sinyaller için konnektör soketleri aşağıdaki şekilde gösterilmiştir. Tabloda sinyaller hakkında bilgi mevcuttur. Güç kaynağının makine arayüz kablosu ile CNC tezgah ya da torç yükseklik kontrol cihazına bağlanacağı durumlarda aşağıdaki tablo dikkate alınmalıdır:



Bağlantı Adı	Konnektör Soketi	Açıklama
Başlat (Tetik)	P5, P2	24 VDC Açık devre gerilimi bulunur. Etkinleştirmek için kuru kontak kapatma gerektirir.
Ark Onayı	P1, P3	Normalde açık kontak. Plazma ark gerçekleştiğinde kontak kapalı duruma geçer. (Max : 220 VDC 2A)
Gerilim Bölücü	P7 (+) P8 (-)	Makine çıkış gerilimini kontrol sistemine uygun duruma getirir. 20:1, 21.1:1, 30:1, 40:1, 50:1 bölünmüş çıkış verir.
Toprak	P6	Tehizat güvenliği için sisteminizin topraklama noktasına bağlamanız önerilir.

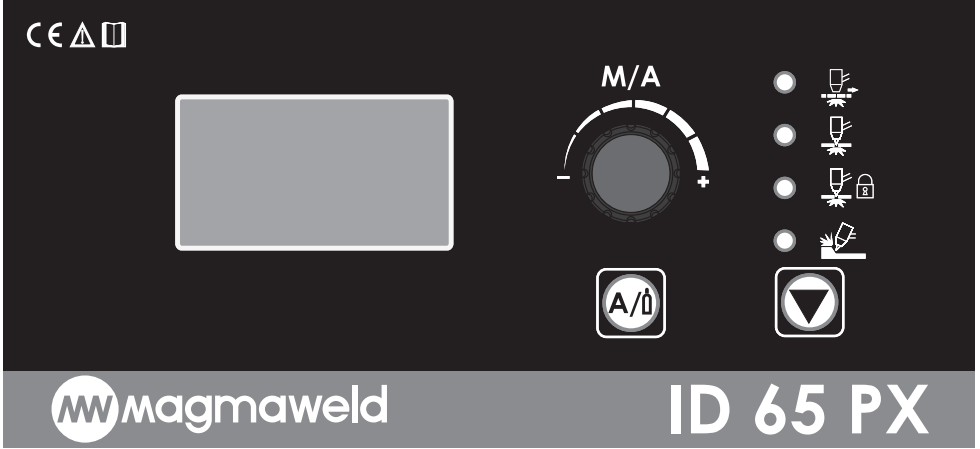


Makine arayüz kablosunun kurulumu ve gerilim bölücü kartı montajı yetkili servis tarafından yapılmalıdır.

Makine arkasındaki arayüz yuvasının üzerindeki kapak kullanılmadığı durumlarda toza, neme karşı kapalı tutulmalıdır.

KULLANIM BİLGİLERİ

3.1 Kullanıcı Arayüzü



MW magmaweld

ID 65 PX

Dijital Gösterge

Ayarlanan kaynak akımı, basınç değerleri, basınç grafiği ve hata kodları dijital ekran sayesinde görsel olarak izlenebilir.

Kesme Modları

Izgara Kesim

Izgara gibi sırasıyla metal ve boşluklardan oluşan malzemelerin kesiminde kullanılır. Eğer izgara gibi delikli malzemelerin kesiminde bu mod kullanılmazsa pilot ark başladığında malzeme kesimi başlar ancak gördüğü ilk boşlukta pilot ark sona erer. Boşluktan sonraki metal kısma geldiğinde kesime devam etmek için tekrardan tetiği bırakıp basmak ve pilot arkı başlatmak gerekir. Bu iş yükünü kaldırmak için izgara tipi malzemelerde kullanılmak üzere izgara kesim modu oluşturulmuştur. Izgara kesim modunda torç tetiğine bastığınız anda pilot ark oluşur ve malzeme kesimi yapılır, boşluğa geldiğinde an pilot arkı keser, tekrar malzeme kısmına geldiğinde pilot arkı devreye alır. Bu döngü tetiği bıraktığınız ana kadar devam eder. Tetiği bıraktığınız an kesme işlemi sona erer.




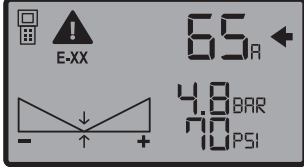

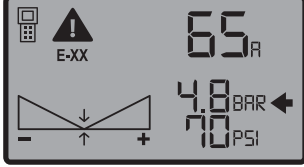
Normal Kesim

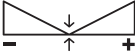





Normal Kesim

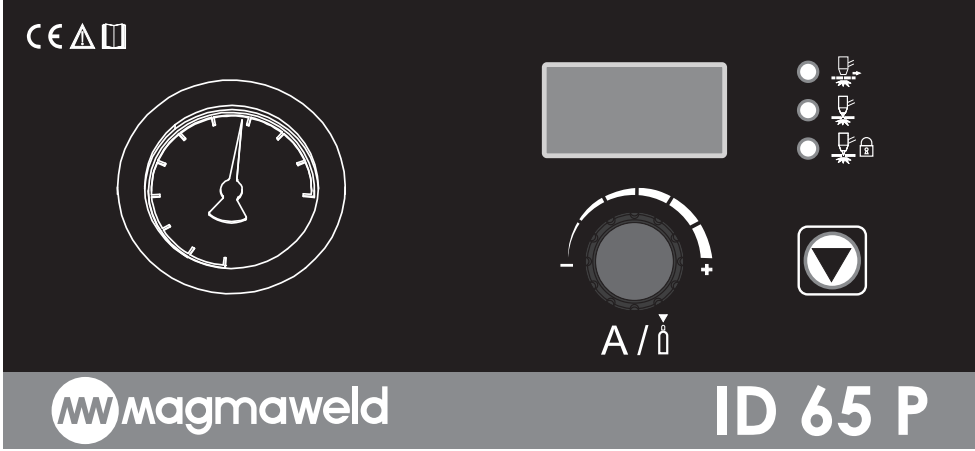
Normal kesim modunda tetiğe bastığınız an pilot ark oluşur ve kesim işlemi başlar. İş parçası bittiği anda siz tetiği bırakmasanız bile ark söner, tetiği bırakabilirsiniz. Eğer malzemenin ortasında tetiği bırakırsanız yine ark sönecektir. İşleme devam etmek için tetiğe tekrar bastığınızda pilot ark yeniden oluşur.





Torç Tetik Kilidi




Bu modda tetiğe bastığınız an pilot ark oluşur. Kesim işlemine başladıktan sonra elinizi tetikten çekip kesim işlemine devam edebilirsiniz. İş parçası bittiği anda (boşluk gördüğü an) pilot ark sönecek ve mod devreden çıkacaktır. Tekrar tetiğe basıp iş parçası kesmeye başladığınızda mod aktif olacaktır. Bu mod özellikle uzun iş parçalarının kesiminde kolaylık sağlar, parmak sürekli tetikte durmadan kesim yapılabilir.

	<p>Oluk Açma</p> <p>Otomatik modda oluk açma yöntemi seçildiğinde gaz debisi makine tarafından otomatik olarak ayarlanacaktır. Oluk açma yönteminde torcun sarfları oluk açma yöntemine uygun olarak değiştirilmelidir. Tetiğe basıldığı an pilot ark oluşur. İş parçası boyunca kesim yapılır, iş parçası bittiği an ya da boşluk gördüğü an pilot ark söner, parmağınızı tetikten bırakabilirsiniz.</p>
	<p>Ayar Potu (M/A: Manuel/ Otomatik Mod)</p> <p>Makine açıldığında otomatik modda başlar, ekranda gaz basıncı grafiği görülmez. Otomatik modda ayar potu sadece akım ayarı için kullanılır. Pot sağa sola döndürülerek istenen akım değeri belirli tolerans aralıklarında ayarlanır.</p> <p>Otomatik modda güç kaynağı, torç tipine ve uzunluğuna göre gaz ayarını kendisi yapar. En optimum gaz basıncını otomatik olarak ayarlar. Gaz basıncının güç kaynağı tarafından ayarlanması; hem kolaylık sağlar hem de kullanıcıların gaz basıncı ayarında hata yapmasını engeller.</p> <p>Manuel moda geçmek için ayar potuna 1 kez basmak gerekir, ekranda gaz basıncı grafiği görülür. Manuel modda ayar potu ile akım ve gaz basınç ayarı yapılır.</p> <p> Akım / Gaz seçimi butonuna basıp akım ya da gaz ayarı sekmesine geçilir. Akım sekmesine gelindiğinde yanında ok görülecektir. Akım ayarı yapmak için ayar potu sağa sola çevrilerek istenen akım değeri belirli tolerans aralıklarında ayarlanır. Gaz basıncı grafiğinde oklar ortada ise makinenin önerdiği optimum değer ayarlıdır.</p> <div data-bbox="266 742 568 909">  </div> <p> Akım / Gaz seçimi butonuna basıp gaz ayarı sekmesine geçildiğinde yanında ok görülecektir. Güç kaynağı gaz basıncını otomatik olarak ayarlar. Ancak kullanıcı belirli tolerans aralığında ayar yapılır. Ayar potu sağa doğru çevrildiğinde gaz basıncı artacak ve gaz basıncı grafiği sağa dolu ilerleyecektir. Ayar potu sola doğru çevrildiğinde gaz basıncı azalacak ve gaz basıncı grafiği sola doğru ilerleyecektir. Ayarlanan akıma göre en optimum gaz basıncı ayarı grafiğin tam ortasındaki değerdir.</p> <div data-bbox="266 1093 568 1260">  </div>

	<p>Gaz Basıncı Grafiği Gaz basıncı değerini grafik olarak gösterir.</p> <p>Eğer grafik içi boş ise güç kaynağı tarafından ayarlanan optimum gaz basıncı seçilidir. Grafiğin tam ortası optimum gaz basıncını gösterir (4.8 BAR / 70 PSI). Gaz basıncı ayarında eğer ayar potu sağa doğru çevrilirse gaz basıncı artar. Grafikte sağ alanın içi dolmaya başlar. Maksimum gaz basıncı ayarı 5.5 BAR (80 PSI) dir.</p>  <p>Gaz basıncı ayarında eğer ayar potu sola doğru çevrilirse gaz basıncı azalır. Grafikte sol alanın içi dolmaya başlar. Minimum gaz basıncı ayarı 4.4 BAR (64 PSI) dir.</p> 
	<p>Akım/ Gaz Seçimi Butonu Manuel modda akım ve gaz basıncı değerlerine geçişi sağlar. Ayar potu ile bu sekmelerde ayar yapılır.</p>
	<p>Hata Kodu Hata simgesi ve kodunu gösterir.</p>
	<p>Uzaktan Bağlanma Uzaktan bağlantının aktif olduğunu gösterir.</p>



	<p>Dijital Gösterge Ayarlanan kaynak akımı, basınç değerleri, basınç grafiği ve hata kodları dijital ekran sayesinde görsel olarak izlenebilir.</p>
	<p>Kesme Modları</p> <p> Izgara Kesim</p> <p>Izgara gibi sırasıyla metal ve boşluklardan oluşan malzemelerin kesiminde kullanılır. Eğer ızgara gibi delikli malzemelerin kesiminde bu mod kullanılmazsa pilot ark başladığında malzeme kesimi başlar ancak gördüğü ilk boşlukta pilot ark sona erer. Boşluktan sonraki metal kısma geldiğinde kesime devam etmek için tekrardan tetiği bırakıp basmak ve pilot arki başlatmak gerekir. Bu iş yükünü kaldırmak için ızgara tipi malzemelerde kullanılmak üzere ızgara kesim modu oluşturulmuştur. Izgara kesim modunda torç tetiğine bastığınız anda pilot ark oluşur ve malzeme kesimi yapılır, boşluğa gelindiği an pilot arki keser, tekrar malzeme kısmına gelindiğinde pilot arki devreye alır. Bu döngü tetiği bıraktığınız ana kadar devam eder. Tetiği bıraktığınız an kesme işlemi sona erer.</p> <p> Normal Kesim</p> <p>Normal Kesim</p> <p>Normal kesim modunda tetiğe bastığınız an pilot ark oluşur ve kesim işlemi başlar. İş parçası bittiği anda siz tetiği bırakmasanız bile ark söner, tetiği bırakabilirsiniz. Eğer malzemenin ortasında tetiği bırakırsanız yine ark sönecektir. İşleme devam etmek için tetiğe tekrar bastığınızda pilot ark yeniden oluşur.</p> <p> Torç Tetik Kilidi</p> <p>Bu modda tetiğe bastığınız an pilot ark oluşur. Kesim işlemine başladıktan sonra elinizi tetikten çekip kesim işlemine devam edebilirsiniz. İş parçası bittiği anda (boşluk gördüğü an) pilot ark sönecek ve mod devreden çıkacaktır. Tekrar tetiğe basıp iş parçası kesmeye başladığınızda mod aktif olacaktır. Bu mod özellikle uzun iş parçalarının kesiminde kolaylık sağlar, parmak sürekli tetikte durmadan kesim yapılabilir.</p>

	<p>Ayar Potu A: Akım Ayarı / Gaz Ayarı Akım ayarı yapmak için ayar potu sağı sola çevrilerek istenen akım değeri belirli tolerans aralıklarında ayarlanır.</p> <p>Gaz ayarına geçmek için ayar potuna 1 kez basmak gerekir. Makine serbest gaz moduna geçer, basınç göstergesinde  yaklaşık 4.2 bar okunur. Hava filtresi üstündeki gaz basıncı ayar potunu üste doğru çekip serbest konuma getirdiğinizde sağı / sola döndürerek basıncı arttırıp / azaltabilirsiniz.</p>
	<p>Basınç Göstergesi Torç içerisindeki basıncı gösterir.</p>

TR

3.2 Torç Kullanımı

Kesim yapılacağı zaman torç tetiğı üzerindeki korucu kapağı öne doğru iterek, torç tetiğine basın. Torç tetiğine basar basmaz plazma arkı oluşacaktır. Düzgün kesim yapmak için torç ucu kesim yapılacak malzeme boyunca yavaşça ilerletilmelidir. Otomasyon torcu bağlandığında makine otomasyon torcunu algılar ve otomasyon ara biriminden tetik bekler. Otomasyon ara birimine gerekli verileri gönderir.

Torçlar hakkında detaylı bilgi almak için 5.1'e bakınız.



Güç kaynağı açık konumda iken torç tetiğı aktiftir. Elinizin kesim yoluna gelmediğinden emin olmalısınız.

Çalışma parçasını elinizle tutulmamalı, torcu kendinize ya da başkasına doğrultmamalısınız.



BAKIM VE ARIZA BİLGİLERİ

- Makineye yapılacak bakım ve onarımların mutlaka yetkin kişiler tarafından yapılması gerekmektedir. Yetkisiz kişiler tarafından yapılacak müdahaleler sonucu oluşacak kazalardan firmamız sorumlu değildir.
- Onarım esnasında kullanılacak parçaları yetkili servislerimizden temin edebilirsiniz. Orijinal yedek parça kullanımı makinenizin ömrünü uzatacağı gibi performans kayıplarını engeller.
- Her zaman üreticiye veya üretici tarafından belirtilen yetkili bir servise başvurun.
- Garanti süresi içerisinde üretici tarafından yetkilendirilmemiş herhangi bir girişiminde tüm garanti hükümleri geçersiz olacaktır.
- Geçerli güvenlik kurallarına bakım onarım işlemleri sırasında mutlaka uyunuz.
- Tamir için makinenin herhangi bir işlem yapılmadan önce, makinenin elektrik fişini şebekeden ayırınız ve kondansatörlerin boşalması için 10 saniye bekleyiniz.

4.1 Bakım



Günlük Bakım

- Torç üzerindeki sarf malzemeler düzenli olarak kontrol edilmeli aşınmış veya hasarlıysa değiştiriniz. Bu malzemelerin uzun süreli kullanılması ve yüksek performans için orijinal ürünler olmasına dikkat ediniz.

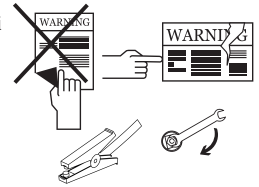


TR



3 Ayda Bir

- Cihaz üzerindeki uyarı etiketlerini sökmeyiniz. Yıpranmış / yırtılmış etiketleri yenisi ile değiştiriniz. Etiketleri yetkili servisten temin edebilirsiniz.
- Penselerin ve kablolarınızın kontrolünü yapınız. Parçaların bağlantılarına ve sağlamlığına dikkat ediniz.
- Hasar görmüş / arızalı parçaları yenisi ile değiştiriniz. Kablolara ek / onarım kesinlikle yapmayınız.
- Havalandırma için yeterli alan olduğuna emin olunuz.



6 Ayda Bir

- Civata, somun gibi birleştirici parçaları temizleyiniz ve sıkıştırınız.
- Topraklama pensesi kablolarını kontrol ediniz. Makinenin yan kapaklarını açarak düşük basınçlı kuru hava veya bir vakum aleti ile temizleyiniz. Elektronik parçalara yakın mesafeden basınçlı hava uygulamayınız.
- Hava filtresinin temiz olduğundan emin olunuz. Kirlenmiş ise yenisi ile değiştiriniz.



NOT: Yukarıda belirtilen süreler, cihazınızda hiçbir sorunun karşılaşılmaması durumunda uygulanması gereken maksimum periyotlardır. Çalışma ortamınızın yoğunluğuna ve kirliliğine göre yukarıda belirtilen işlemleri daha sık aralıklarla tekrarlayabilirsiniz.



Asla plazma kesme makinesinin kapakları açıkken kesme işlemi yapmayın.

4.2 Hata Giderme

Aşağıdaki tablolarda karşılaşılan olası hatalar ve çözüm önerileri bulunmaktadır.

Arıza	Neden	Çözüm
Makine çalışmıyor	<ul style="list-style-type: none"> Makinenin elektrik bağlantısı sorunlu 	<ul style="list-style-type: none"> Makinenin elektrige bağlı olduğundan emin olunuz Sorun devam ediyorsa yetkili servis ile iletişime geçiniz
	<ul style="list-style-type: none"> Şebeke bağlantıları hatalı 	<ul style="list-style-type: none"> Şebeke bağlantılarının doğru olduğunu kontrol ediniz Sorun devam ediyorsa yetkili servis ile iletişime geçiniz
	<ul style="list-style-type: none"> Şebeke besleme sigortası hatalı veya şebeke kablosu hasarlı 	<ul style="list-style-type: none"> Şebeke besleme sigortalarını, şebeke kablosunu ve fişini kontrol ediniz Sorun devam ediyorsa yetkili servis ile iletişime geçiniz
	<ul style="list-style-type: none"> Açma/ kapama anahtarı doğru çalışmıyor 	<ul style="list-style-type: none"> Açma/ kapama anahtarını kontrol ediniz Sorun devam ediyorsa yetkili servis ile iletişime geçiniz
Makine çalışıyor, fakat kesim yapmıyor	<ul style="list-style-type: none"> Hava basıncı ve debisi uygun olmayabilir 	<ul style="list-style-type: none"> Hava basıncını ve hava kalitesini kontrol ediniz. Hava basıncı ve debisinin uygun, havanın kuru ve temiz olduğundan emin olunuz Sorun devam ediyorsa yetkili servis ile iletişime geçiniz
	<ul style="list-style-type: none"> Şebeke voltajı uygun olmayabilir 	<ul style="list-style-type: none"> Makineye gelen şebeke voltajının uygun olduğundan emin olunuz Sorun devam ediyorsa yetkili servis ile iletişime geçiniz
	<ul style="list-style-type: none"> Topraklama pensesi iş parçasına veya makineye bağlı olmayabilir 	<ul style="list-style-type: none"> Topraklama pensesinin iş parçasına ve makineye bağlı olduğundan emin olunuz. Topraklama pensesinin iş parçasına temas ettiği alanı temizleyiniz. Topraklama pensesini hasarlı olmadığından emin olunuz Sorun devam ediyorsa yetkili servis ile iletişime geçiniz
	<ul style="list-style-type: none"> Torç ve / veya sarf malzemeleri aşınmış veya hasarlı olabilir 	<ul style="list-style-type: none"> Torç ve / veya sarf malzemelerinin aşınmış veya hasarlı olmadığından emin olunuz, gerekiyorsa yenisi ile değiştiriniz Sorun devam ediyorsa yetkili servis ile iletişime geçiniz
	<ul style="list-style-type: none"> Ark iş parçasına transfer yapmıyor 	<ul style="list-style-type: none"> İş parçası yüzeyinin boyasız ve temiz olduğundan emin olunuz Torçun iş parçasıyla olan mesafesinin uygun olduğundan emin olunuz Sorun devam ediyorsa yetkili servis ile iletişime geçiniz

Arıza	Neden	Çözüm
Makine çalışıyor, fakat iyi kesim yapmıyor	<ul style="list-style-type: none"> Hava basıncı ve debisi uygun olmayabilir, hava filtresi elemanları kirlenmiş olabilir 	<ul style="list-style-type: none"> Hava basıncını ve hava kalitesini kontrol ediniz. Hava basıncı ve debisinin uygun, havanın kuru ve temiz olduğundan emin olunuz Sorun devam ediyorsa yetkili servis ile iletişime geçiniz
	<ul style="list-style-type: none"> Torç ve / veya sarf malzemeleri aşınmış veya hasarlı olabilir 	<ul style="list-style-type: none"> Torç ve / veya sarf malzemelerinin aşınmış veya hasarlı olmadığından emin olunuz, gerekiyorsa yenisi ile değiştiriniz. Sorun devam ediyorsa yetkili servis ile iletişime geçiniz
	<ul style="list-style-type: none"> Torç ve / veya sarf malzemeleri doğru seçilmemiş veya takılmamış olabilir 	<ul style="list-style-type: none"> Torç ve / veya sarf malzemelerini doğru kullanıldığından ve takıldığından emin olunuz Sorun devam ediyorsa yetkili servis ile iletişime geçiniz
	<ul style="list-style-type: none"> Kesim modu yanlış seçilmiş olabilir 	<ul style="list-style-type: none"> Kesim modunun doğru olduğundan emin olunuz Sorun devam ediyorsa yetkili servis ile iletişime geçiniz
	<ul style="list-style-type: none"> Kullanılan amper değeri yanlış seçilmiş olabilir 	<ul style="list-style-type: none"> Kesim yapılacak malzemeye uygun (malzeme kalınlığı ve tipi) amper değeri seçilmelidir Sorun devam ediyorsa yetkili servis ile iletişime geçiniz
	<ul style="list-style-type: none"> Makinenin performansına uygun kesim hızı ve kalınlığı aşılmış olabilir 	<ul style="list-style-type: none"> Kesim hızı ve kesim kalınlığının uygun olduğundan emin olunuz Sorun devam ediyorsa yetkili servis ile iletişime geçiniz
	<ul style="list-style-type: none"> Torcun iş parçasına olan yüksekliği veya açısı hatalı olabilir 	<ul style="list-style-type: none"> Torcun iş parçasına olan yüksekliğinin ve açısını doğru olduğundan emin olunuz Sorun devam ediyorsa yetkili servis ile iletişime geçiniz
	<ul style="list-style-type: none"> Kesim yönü hatalı olabilir 	<ul style="list-style-type: none"> Kesim yönünün doğru olduğundan emin olunuz Sorun devam ediyorsa yetkili servis ile iletişime geçiniz

4.3 Hata Kodları

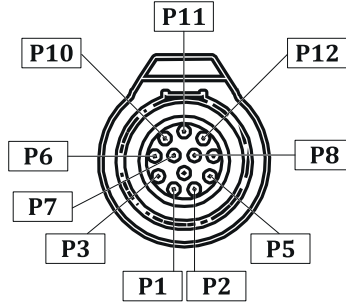
Aşağıda tüm makinelere ait tüm hata kodları bulunmaktadır. Kendi makinenz ile ilgili hata kodlarını dikkate alınız.

Hata Kodu	Hata	Neden	Çözüm
E01	Termal Koruma (Birincil)	<ul style="list-style-type: none"> Makinenizin devrede kalma oranı aşmış olabilir 	<ul style="list-style-type: none"> Bir süre bekleyerek makinenin soğumasını sağlayınız. Arıza ortadan kalkıyor ise daha düşük amper değerlerinde kullanmaya çalışınız Sorun devam ediyorsa yetkili servis ile iletişime geçiniz
		<ul style="list-style-type: none"> Fan çalışmıyor olabilir 	<ul style="list-style-type: none"> Fanın çalışıp çalışmadığını göz ile kontrol ediniz Sorun devam ediyorsa yetkili servis ile iletişime geçiniz
		<ul style="list-style-type: none"> Hava giriş-çıkış kanallarının önü kapanmış olabilir 	<ul style="list-style-type: none"> Hava kanallarının önünü açınız Sorun devam ediyorsa yetkili servis ile iletişime geçiniz
		<ul style="list-style-type: none"> Makine çalışma ortamı aşırı sıcak ya da havasız olabilir 	<ul style="list-style-type: none"> Makine çalışma ortamının aşırı sıcak ya da havasız olmadığından emin olunuz Sorun devam ediyorsa yetkili servis ile iletişime geçiniz
E02	Şebeke Voltajı Düşük	<ul style="list-style-type: none"> Şebeke voltajı düşmüş olabilir 	<ul style="list-style-type: none"> Şebeke bağlantı kablolarını ve voltajını kontrol ediniz. Doğru voltaj girişi sağlandığından emin olunuz. Şebeke voltajı normal ise yetkili servis ile iletişime geçiniz
E03	Şebeke Voltajı Yüksek	<ul style="list-style-type: none"> Şebeke voltajı yükselmiş olabilir 	<ul style="list-style-type: none"> Şebeke bağlantı kablolarını ve voltajını kontrol ediniz. Doğru voltaj girişi sağlandığından emin olunuz. Şebeke voltajı normal ise yetkili servis ile iletişime geçiniz
E04	Akım / Voltaj Okuma Hatası	<ul style="list-style-type: none"> Donanımsal hata olabilir 	<ul style="list-style-type: none"> Yetkili servis ile iletişime geçiniz
E05	Sıcaklık Sensörü Okuma Hatası	<ul style="list-style-type: none"> Donanımsal hata olabilir 	<ul style="list-style-type: none"> Yetkili servis ile iletişime geçiniz
E06	Su Soğutma Ünitesi Hatası	<ul style="list-style-type: none"> Su soğutma ünitesinde hata olabilir 	<ul style="list-style-type: none"> Su soğutma ünitesi konektörü ve torç giriş / çıkışlarını kontrol edin Su sirkülasyonun sağlandığından emin olun Sorun devam ediyorsa yetkili servis ile iletişime geçiniz
E07	Sistem Hatası	<ul style="list-style-type: none"> Donanımsal hata olabilir 	<ul style="list-style-type: none"> Yetkili servis ile iletişime geçiniz
E08			
E09			
E10	Torç Bağlantı Hatası	<ul style="list-style-type: none"> Torçta ve torç bağlantılarında hata olabilir 	<ul style="list-style-type: none"> Torç ve torç bağlantılarını kontrol edin Sorun devam ediyorsa yetkili servis ile iletişime geçiniz
E11	Sistem Hatası	<ul style="list-style-type: none"> Donanımsal hata olabilir 	<ul style="list-style-type: none"> Yetkili servis ile iletişime geçiniz
E12			
E13	Tel Sürme Ünitesi Hatası	<ul style="list-style-type: none"> Tel sürmede hata olabilir 	<ul style="list-style-type: none"> Tel sepeti, makara / makara baskısı ve torç bağlantılarını kontrol edin Sorun devam ediyorsa yetkili servis ile iletişime geçiniz

Hata Kodu	Hata	Neden	Çözüm
E14	Sistem Hatası	• Donanımsal hata olabilir	• Yetkili servis ile iletişime geçiniz
E15	Uzaktan Kumanda Haberleşme Hatası	• Uzaktan kumanda bağlantılarında hata olabilir	• Uzaktan kumanda bağlantılarını kontrol edin • Sorun devam ediyorsa yetkili servis ile iletişime geçiniz
E16	Sistem Hatası	• Donanımsal hata olabilir	• Yetkili servis ile iletişime geçiniz
E17			
E18			
E19			
E20	Sistem Hatası	• Donanımsal hata olabilir	• Yetkili servis ile iletişime geçiniz
E21			
E22			
E23			
E26	Giriş Basıncı Düşük	• Giriş basıncı düşük olabilir	• Hava / gaz bağlantılarınızı kontrol ediniz giriş basıncının uygun olduğundan emin olunuz giriş basıncı normal ise yetkili servis ile iletişime geçiniz
E27	Torç Muhafazası Takılı Değil	• Torç muhafazası takılmamış, yerine oturmamış olabilir	• Torç muhafazasının doğru şekilde takıldığından emin olunuz • Sorun devam ediyorsa yetkili servis ile iletişime geçiniz
E28	Sistem Hatası	• Donanımsal hata olabilir	• Yetkili servis ile iletişime geçiniz
E29	DC Bara Voltajı Düşük	• Şebeke voltajı düşmüş olabilir	• Şebeke bağlantı kablolarını ve voltajını kontrol ediniz. Doğru voltaj girişi sağlandığından emin olunuz. Şebeke voltajı normal ise yetkili servis ile iletişime geçiniz
E30	DC Bara Voltajı Yüksek	• Şebeke voltajı yükselmiş olabilir	• Şebeke bağlantı kablolarını ve voltajını kontrol ediniz. Doğru voltaj girişi sağlandığından emin olunuz. Şebeke voltajı normal ise yetkili servis ile iletişime geçiniz
E31	Sistem Hatası	• Donanımsal hata olabilir	• Yetkili servis ile iletişime geçiniz

EKLER

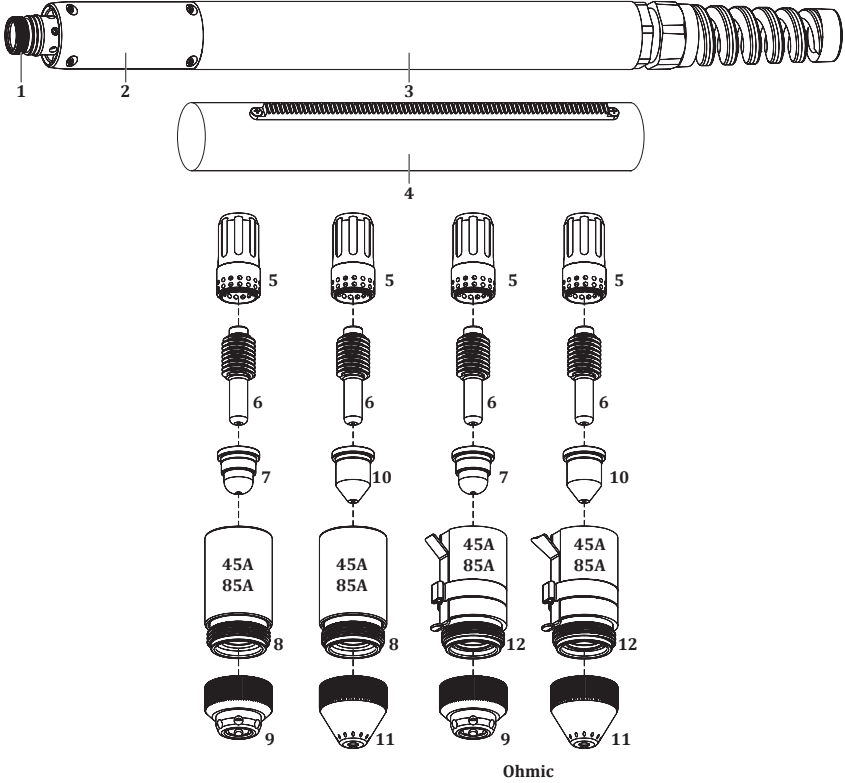
5.1 Plazma Kesme Otomasyon Bağlantı Şeması



Önden Görünüş

PIN NO	KABLO	BAĞLANTI ADI	AÇIKLAMA
1	Sarı	Ark Onayı	Normalde açık kontak. Plazma ark gerçekleştiğinde kontak kapalı duruma geçer. (Max: 220 VDC 2A)
3	Kahve		
2	Yeşil	Başlat (Tetik)	24 VDC Açık devre gerilimi bulunur. Etkinleştirmek için kuru kontak kapatma gerektirir.
5	Beyaz		
6	Shield	Toprak	Teçhizat güvenliği için sisteminizin topraklama noktasına bağlamanız önerilir.
7	Kırmızı	Vo (+)	Makine çıkış gerilimini kontrol sistemine uygun duruma getirir: 20:1, 21.1:1, 30:1, 40:1, 50:1 bölünmüş çıkış verir.
8	Siyah	Vo (-)	
10	Gri	ModBus A	ModBUS-RTU / 19200bps / 8N1 (Bu özellik sadece PX modeli için geçerlidir.)
11	Pembe	ModBus B	
12	Mavi	ModBus GND	

5.3 Mekanize Torç Sarfları ve Yedek Parçaları



NO

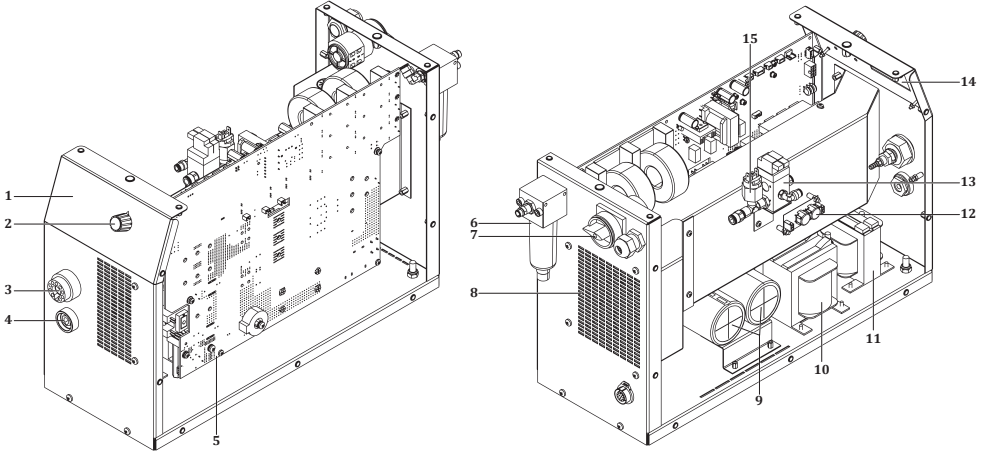
TANIM

MALZEME KODU

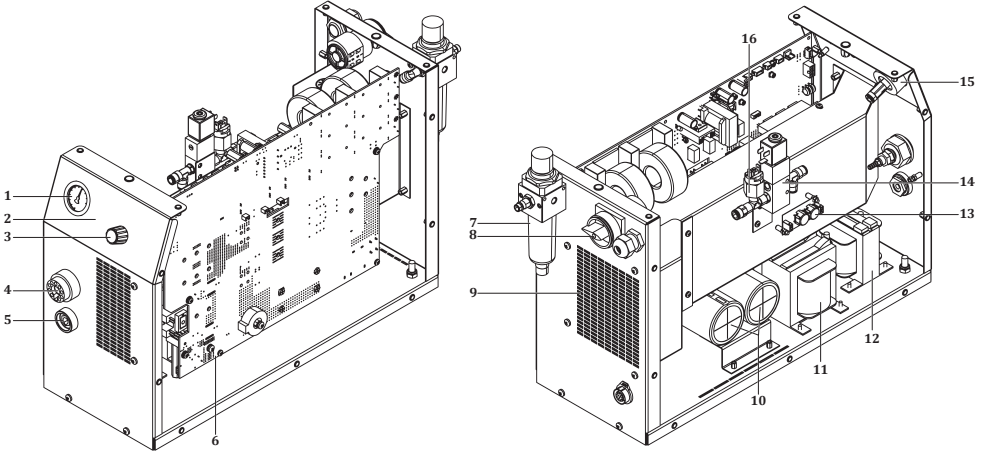
NO	TANIM	MALZEME KODU
1	O-Ring	Y542000018
2	Torç Kafası	Y542000017
3	Torç Konumlandırma Parçası (Standart)	Y542000020
4	Torç Konumlandırma Parçası	7942000010
5	Girdaplı Halka (Standart)	7042220857
6	Elektrod	7042E00001
7	Nozul	7042220930
8	Muhafaza Kapağı	7042220854
9	Muhafaza	7042220948
10	Nozul	7042220819
11	Muhafaza	7042220817
12	Nozul	7042220953

5.4 Plazma Kesme Makinesi Yedek Parça Listesi

ID 65 PX



NO	TANIM	ID 65 PX
1	Membran Etiket	K109900170
2	Potans Düğmesi	A229500001
3	Plazma Torç Konnektörü	K309000033
4	Kaynak Prizi	A377900103
5	Elektronik Kart E230A-1 V2.3	K405000330
6	Filtre	A256001242
7	Pako Şalter	A308000017
8	Fan	A250001141
9	Elektrolitik Kondansatör	A420200016
10	Güç Trafosu	A366000034
11	Şok Bobini	A421050007
12	Elektronik Kart E230A-4 V1.0	K405000327
13	Valf	A253003050
14	Elektronik Kart E230A-2 V1.3	K405000329
15	Basınç Anahtarı	A253001150

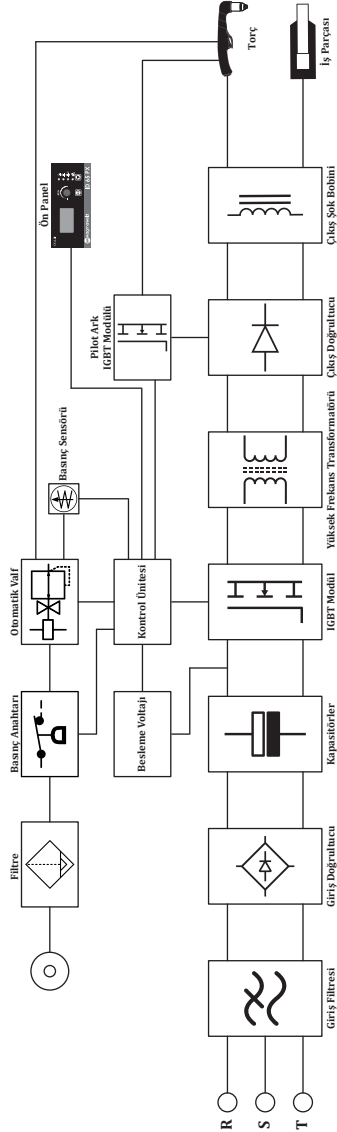
ID 65 P

TR

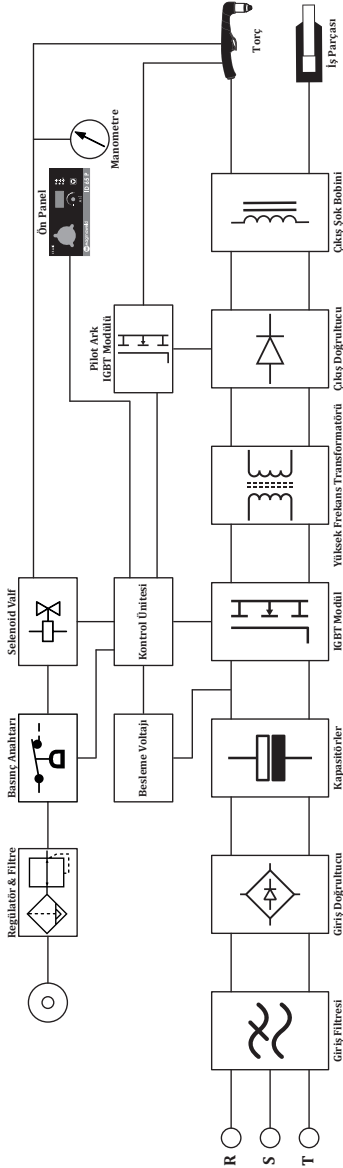
NO	TANIM	ID 65 P
1	Manometre	A827000017
2	Membran Etiket	K109900171
3	Potans Düğmesi	A229500001
4	Plazma Torç Konnektörü	K309000033
5	Kaynak Prizi	A377900103
6	Elektronik Kart E230A-1 V2.3	K405000330
7	Filtre	A256001240
8	Pako Şalter	A308000017
9	Fan	A250001141
10	Elektrolitik Kondansatör	A420200016
11	Güç Trafosu	A366000034
12	Şok Bobini	A421050007
13	Elektronik Kart E230A-4 V1.0	K405000327
14	Valf	A253001151
15	Elektronik Kart E230A-1 V1.1	K405000328
16	Basınç Anahtarı	A253001150

5.5 Bağlantı Şemaları

Blok Diyagram ID 65 PX

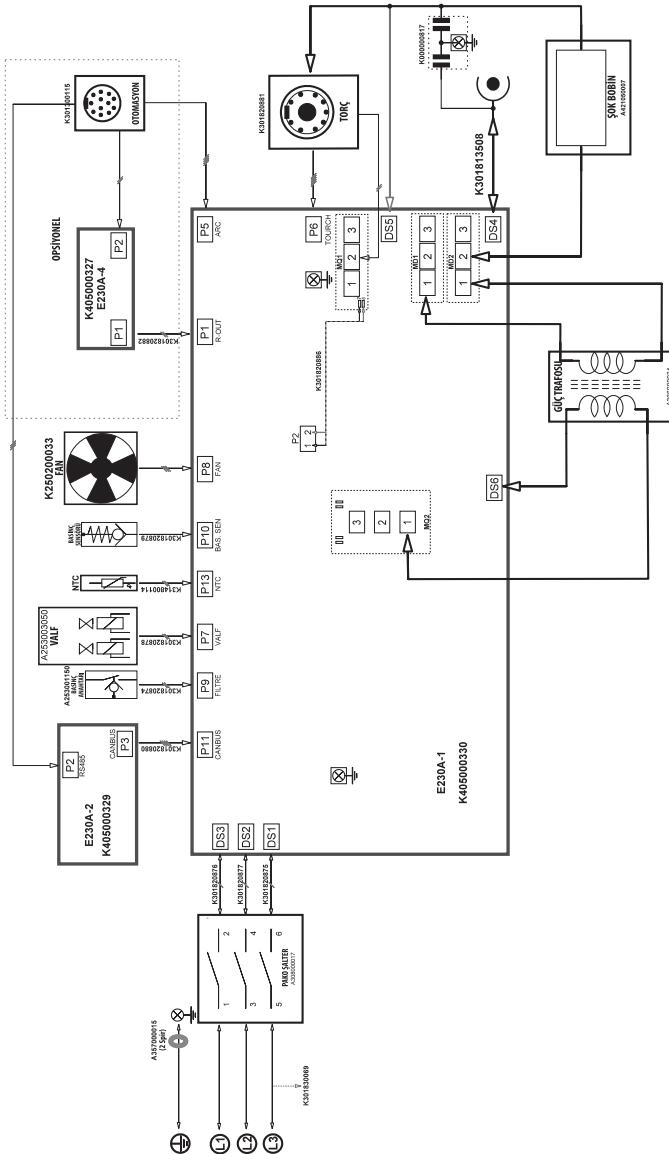


ID 65 P



Devre Şemaları

ID 65 PX



MALIN

Modeli

Seri Numarası

İMALATÇI / İTHALATÇI FİRMANIN

Ünvanı

MAGMA MEKATRONİK MAKİNE SANAYİ VE TİCARET A.Ş.

Adresi

Organize Sanayi Bölgesi 5. Kısım MANİSA

Telefonu / E - Postası

+90 236 226 27 00 / info@magmaweld.com

SATICI FİRMANIN

Ünvanı

Adresi

Telefonu / E-Postası

Fatura Tarihi ve No.

ALICININ

Ünvanı

Adresi

Telefonu / E - Postası

Teslim Alanın Adı Soyadı

KURULUMU YAPAN SERVİSİN

Ünvanı

Teknisyenin Adı Soyadı

Devreye Alma Tarihi
(Garanti Başlama Tarihi)

Garanti Şartları için www.magmaweld.com.tr/garanti-sartlari/wt web sitemizi ziyaret ediniz.

MAGMA MEKATRONİK MAKİNE SANAYİ VE TİCARET A.Ş.

www.magmaweld.com

DECLARATION OF CONFORMITY UYGUNLUK DEKLARASYONU



Company / Firma

Magma Mekatronik Makine Sanayi ve Ticaret A.Ş.
Organize Sanayi Bölgesi 5. Kısım Yalçın Özaras Caddesi No:1 45030 Manisa / TÜRKİYE

Factory / Fabrika

Magma Mekatronik Makine Sanayi ve Ticaret A.Ş.
Organize Sanayi Bölgesi 5. Kısım Yalçın Özaras Caddesi No:1 45030 Manisa / TÜRKİYE

The Product / Ürün

Appropriate for professional and industrial usage.
ID 65 PX (%50) 65Amp Plasma Cutting Machine

Profesyonel ve endüstriyel kullanıma uygun
ID 65 PX (%50) 65Amp Plazma Kesme Makinesi

Date of assessment / Değerlendirme Tarihi

08.09.2020

European Standard / Avrupa Standartı

EN IEC 60974-1:2018 , EN 60974-10:2014

Meet the requirements of the European Directive

Gereklilikler Karşılanan Avrupa Direktifleri

EMC Directive 2014/30/EU - LVD Directive 2014/35/EU

Magma Mekatronik Makine Industry and Trade Co. We declare that the above mentioned products comply with the standard. This declaration will loose its validity in case of modification on the welding machine without our written authorization.

Magma Mekatronik Makine Sanayi ve Ticaret A.Ş. olarak yukarıda geçen ürünün standartlara uygun olduğunu beyan ederiz. Yazılı iznimiz olmaksızın makine üzerinde yapılan değişiklikler bu belgeyi geçersiz kılacaktır.

Date of issue / Yayın Tarihi

Manisa - 12.10.2021

Barış Özgür TUĞGAN
Ar-Ge Müdürü / R&D Manager

MAGMA MEKATRONİK MAKİNE SANAYİ VE TİCARET A.Ş.

www.magmaweld.com

DECLARATION OF CONFORMITY UYGUNLUK DEKLARASYONU



Company / Firma

Magma Mekatronik Makine Sanayi ve Ticaret A.Ş.
Organize Sanayi Bölgesi 5. Kısım Yalçın Özaras Caddesi No:1 45030 Manisa / TÜRKİYE

Factory / Fabrika

Magma Mekatronik Makine Sanayi ve Ticaret A.Ş.
Organize Sanayi Bölgesi 5. Kısım Yalçın Özaras Caddesi No:1 45030 Manisa / TÜRKİYE

The Product / Ürün

Appropriate for professional and industrial usage.
ID 65 P (%50) 65Amp Plasma Cutting Machine

Profesyonel ve endüstriyel kullanıma uygun
ID 65 P (%50) 65Amp Plazma Kesme Makinesi

Date of assessment / Değerlendirme Tarihi

08.09.2020

European Standard / Avrupa Standartı

EN IEC 60974-1:2018 , EN 60974-10:2014

Meet the requirements of the European Directive

Gereklilikler Karşılanan Avrupa Direktifleri

EMC Directive 2014/30/EU - LVD Directive 2014/35/EU

Magma Mekatronik Makine Industry and Trade Co. We declare that the above mentioned products comply with the standard. This declaration will loose its validity in case of modification on the welding machine without our written authorization.

Magma Mekatronik Makine Sanayi ve Ticaret A.Ş. olarak yukarıda geçen ürünün standartlara uygun olduğunu beyan ederiz. Yazılı iznimiz olmaksızın makine üzerinde yapılan değişiklikler bu belgeyi geçersiz kılacaktır.

Date of issue / Yayın Tarihi

Manisa - 12.10.2021

Barış Özgür TUĞGAN

Ar-Ge Müdürü / R&D Manager

YETKİLİ SERVİSLER

MERKEZ SERVİS

Organize Sanayi Bölgesi, 5. Kısım 45030 MANİSA

Telefon : 444 93 53

E-Posta : info@magmaweld.com

YETKİLİ SERVİSLER



Güncel servis listemiz için www.magmaweld.com.tr/servis-listesi web sitemizi ziyaret ediniz.

Magma Mekatronik Makine Sanayi ve Ticaret A.Ş.
Organize Sanayi Bölgesi, 5. Kısım 45030 Manisa, TÜRKİYE

01.11.2023
UM_ID65PX_P_062022_112023_002_364



(+90) 444 93 53
magmaweld.com
info@magmaweld.com