




USER MANUAL

ID 250E



(+90) 444 93 53
magmaweld.com
info@magmaweld.com

 (+90) 538 927 12 62

All rights reserved. It is prohibited to reproduce this documentation, or any part thereof, without the prior written authorisation of Magma Mekatronik Makine Sanayi ve Ticaret A.Ş.
Magma Mekatronik may modify the information and the images without any prior notice.
Tüm hakları saklıdır. Magma Mekatronik Makine Sanayi ve Ticaret A.Ş.'nin yazılı izni olmaksızın bu dokümanın tamamının ya da bir bölümünün kopyalanması yasaktır.
Magma Mekatronik önceden haber vermeksizin bilgilerde ve resimlerde değişiklik yapılabilir.

DC WELDING INVERTER

EN

ONDULEUR DE SOUDAGE DC

FR

СВАРОЧНЫЙ ИНВЕРТОР DC

RU

DC KAYNAK İNVERTÖRÜ

TR

EN 60974-1

EN 60974 -10

EAC



CONTENTS

SAFETY PRECAUTIONS	5
1 TECHNICAL INFORMATION	
1.1 General Information	11
1.2 Machine Components	11
1.3 Product Label	12
1.4 Technical Data	13
1.5 Accessories	13
2 INSTALLATION	
2.1 Delivery Control	14
2.2 Installation and Operation Recommendations	14
2.3 Mains Plug Connection	15
2.4 Connection to Mains	15
2.5 Connections for MMA Welding	15
2.6 Connections for TIG Welding	16
3 OPERATION	
3.1 User Interface	17
4 MAINTENANCE AND SERVICE	
4.1 Maintenance	19
4.2 Troubleshooting	20
4.3 Error Codes	21
5 ANNEX	
5.1 Spare Parts List	23
5.2 Connection Diagrams	24

SAFETY PRECAUTIONS

Be Sure To Follow All Safety Rules In This Manual!

Explanation Of Safety Information



- Safety symbols found in the manual are used to identify potential hazards.
- When any one of the safety symbols are seen in this manual, it must be understood that there is a risk of injury and the following instructions should be read carefully to avoid potential hazards.
- The possessor of the machine is responsible for preventing unauthorized persons from accessing the equipment.
- Persons using the machine must be experienced or fully trained in welding / cutting they have to read the user manual before operation and follow the safety instructions.

Explanation Of Safety Symbols



ATTENTION

Indicates a potentially hazardous situation that could cause injury or damage. In case if no precaution is taken, it may cause injuries or material losses / damages.



IMPORTANT

Specifies notifications and alerts on how to operate the machine.



DANGER

Indicates a serious danger. In case if not avoided, severe or fatal injuries may occur.

Comprehending Safety Precautions



- Read the user manual, the label on the machine and the safety instructions carefully.
- Make sure that the warning labels on the machine are in good condition. Replace missing and damaged labels.
- Learn how to operate the machine, how to make the checks in a correct manner.
- Use your machine in suitable working environments.
- Improper changes made in your machine will negatively affect the safe operation and its longevity.
- The manufacturer is not responsible for the consequences resulting from the operation of the device beyond the specified conditions.

Electric Shocks May Kill



Make certain that the installation procedures comply with national electrical standards and other relevant regulations, and ensure that the machine is installed by authorized persons.

- Wear dry and sturdy insulated gloves and working apron. Never use wet or damaged gloves and working aprons.
- Wear flame-resistant protective clothing against the risk of burning. The clothing used by the operator must be protective against sparks, splashing and arc radiation.
- Do not work alone. In case of a danger make sure you have someone for help in your working environment.
- Do not touch the electrode with the bare hand. Do not allow the electrode holder or electrode to come in contact with any other person or any grounded object.
- Never touch parts that carry electricity.
- Never touch the electrode if you are in contact with the electrode attached to the work surface, floor or another machine.
- By isolating yourself from the work surface and the floor, you can protect yourself from possible electric shocks. Use a non-flammable, electrically insulating, dry and undamaged insulation material that is large enough to cut off the operator's contact with the work surface.
- Do not connect more than one electrode to the electrode holder.
- Clamp work cable with good metal-to-metal contact to workpiece or worktable as near the weld as practical.
- Check the torch before operating the machine. Make sure the torch and its cables are in good condition. Always replace a damaged, worn torch.
- Do not touch electrode holders connected to two machines at the same time since double open-circuit voltage will be present.
- Keep the machine turned off and disconnect cables when not in use.
- Before repairing the machine, remove all power connections and / or connector plugs or turn off the machine.
- Be careful when using a long mains cable.

- Make sure all connections are tight, clean, and dry.
 - Keep cables dry, free of oil and grease, and protected from hot metal and sparks.
 - Bare wiring can kill. Check all cables frequently for possible damage. If a damaged or an uninsulated cable is detected, repair or replace it immediately.
 - Insulate work clamp when not connected to workpiece to prevent contact with any metal object.
 - Make sure that the grounding of the power line is properly connected.
 - Do not use AC weld output in damp, wet, or confined spaces, or if there is a danger of falling.
 - Use AC output ONLY if required for the welding process.
 - If AC output is required, use remote output control if present on unit.
- Additional safety precautions are required when any of the following electrically hazardous conditions are present :**
- in damp locations or while wearing wet clothing,
 - on metal structures such as floors, gratings, or scaffolds,
 - when in cramped positions such as sitting, kneeling, or lying,
 - when there is a high risk of unavoidable or accidental contact with the workpiece or ground.
- For these conditions, use the following equipment in order presented:
- Semiautomatic DC constant voltage (CV) MIG welding machine,
 - DC manual MMA welding machine,
 - DC or AC welding machine with reduced open-circuit voltage (VRD), if available.

Procedures for Electric Shock



- Turn off the electric power.
- Use non-conducting material, such as dry wood, to free the victim from contact with live parts or wires.
- Call for emergency services.

If you have first aid training;

- If the victim is not breathing, Administer cardiopulmonary resuscitation (CPR) immediately after breaking contact with the electrical source. Continue CPR (cardiac massage) until breathing starts or until help arrives.
- Where an automatic electronic defibrillator (AED) is available, use according to instructions.
- Treat an electrical burn as a thermal burn by applying sterile, cold (iced) compresses. Prevent contamination, and cover with a clean, dry dressing.

Moving Parts May Cause Injuries



- Keep away from the moving parts.
- Keep all protective devices such as covers, panels, flaps, etc., of machinery and equipment closed and in locked position.
- Wear metal toe shoes against the possibility of heavy objects falling on to your feet.

Fumes and Gases May Be Harmful To Your Health



Long-term inhalation of fumes and gases released from welding / cutting is very dangerous.

- Burning sensations and irritations in the eyes, nose and throat are signs of inadequate ventilation. In such a case, immediately boost the ventilation of the work area, and if the problem persists, stop the welding / cutting process completely.
- Create a natural or artificial ventilation system in the work area.
- Use a suitable fume extraction system where welding / cutting works are being carried out. If necessary, install a system that can expel fumes and gases accumulated in the entire workshop. Use a suitable filtration system to avoid polluting the environment during discharge.
- If you are working in narrow and confined spaces or if you are welding lead, beryllium, cadmium, zinc, coated or painted materials, use masks that provide fresh air in addition to the above precautions.
- If the gas tanks are grouped in a separate zone, ensure that they are well ventilated, keep the main valves closed when gas cylinders are not in use, pay attention to possible gas leaks.
- Shielding gases such as argon are denser than air and can be inhaled instead of air if used in confined spaces. This is dangerous for your health as well.
- Do not perform welding / cutting operations in the presence of chlorinated hydrocarbon vapors released during lubrication or painting operations.
- Some welded / cut parts require special ventilation. The safety rules of products that require special ventilation should be read carefully. A suitable gas mask should be worn when necessary.

Arc Light May Damage Your Eyes and Skin



- Use a standard protective mask and a suitable glass filter to protect your eyes and face.
- Protect other naked parts of your body (arms, neck, ears, etc.) with suitable protective clothing from these rays.
- Enclose your work area with flame-resistant folding screens and hang warning signs at eye level so that people around you will not sustain injuries from arc rays and hot metals.
- This machine is not used for heating of icebound pipes. This operation performed with the welding / cutting machine causes explosion, fire or damage to your installation.

Sparks and Spattering Particles May Get Into Eyes and Cause Damage



- Performing works such as welding / cutting, surface grinding, and brushing cause sparks and metal particles to splatter. Wear approved protective work goggles which have edge guards under the welding masks to prevent sustaining possible injuries.

Hot Parts May Cause Severe Burns



- Do not touch the hot parts with bare hands.
- Wait until the time required for the machine to cool down before working on its parts.
- If you need to hold hot parts, use suitable tools, welding / cutting gloves with high-level thermal insulation and fire-resistant clothes.

Noise May Cause Damage To Your Hearing Ability



- The noise generated by some equipment and operations may damage your hearing ability.
- Wear approved personal ear protective equipment if the noise level is high.

Welding Wires Can Cause Injuries



- Do not point the torch towards any part of the body, other persons, or any metal while unwrapping the welding / cutting wire.
- When welding wire is run manually from the roller especially in thin diameters the wire can slip out of your hand, like a spring or can cause damage to you or other people around, therefore you must protect your eyes and face while working on this.

Welding Operations May Cause Fire and Explosion



- Never perform welding / cutting work in places near flammable materials. There may be fire or explosions.
- Before starting the welding / cutting work, remove these materials from the environment or cover them with protective covers to prevent combustions and flaring.
- National and international special rules apply in these areas.
- Do not apply welding / cutting operations into completely closed tanks or pipes.
- Before welding to tanks and closed containers, open them, completely empty them, and clean them. Pay the greatest attention possible to the welding / cutting operations you will perform in such places.
- Do not weld in tanks and pipes which might have previously contained substances that may cause explosions, fires or other reactions.
- Welding / cutting equipment heats up. For this reason, do not place it on surfaces that could easily burn or be damaged !
- Sparks and splashing parts may cause a fire. For this reason, keep materials such as fire extinguishers tubes, water, and sand in easily accessible places.
- Use holding valves, gas regulators and valves on flammable, explosive and compressed gas circuits. Make sure that they are periodically inspected and pay attention that they run reliably.

Maintenance Work Performed by Unauthorized Persons To Machines and Apparatus May Cause Injuries



- Electrical equipment should not be repaired by unauthorized persons.
- Errors occurred if failed to do so may result in serious injury or death when using the equipment.
- The gas circuit elements operate under pressure; explosions may occur as a result of services provided by unauthorized persons, users may sustain serious injuries.
- It is recommended to perform technical maintenance of the machine and its auxiliary units at least once a year.

**Welding / Cutting in
Small Sized and
Confined Spaces**

- In small-sized and confined spaces, absolutely make sure to perform welding / cutting operations, accompanied by another person.
- Avoid performing welding / cutting operations in such enclosed areas as much as possible.


**Failure To Take
Precautions During
Transport May Cause
Accidents**


- Take all necessary precautions when moving the machine. The areas where the machine to be transported, parts to be used in transportation and the physical conditions and health of the person carrying out the transportation works should be suitable for the transportation process.
- Some machines are extremely heavy; therefore, make sure that the necessary environmental safety measures are taken when changing their places.
- If the machine is to be used on a platform, it must be checked that this platform has suitable load bearing limits.
- If it is to be transported by means of a haulage vehicle (transport trolley, forklift etc.), make sure of the durability of the vehicle, and the connection points (carrying suspenders, straps, bolts, nuts, wheels, etc.) that connect the machine to this vehicle.
- If the machine will be carried manually, make sure the durability of the machine apparatuses (carrying suspenders, straps, etc.) and connections.
- Observe the International Labor Organization's rules on carriage weights and the transport regulations in force in your country in order to ensure the necessary transport conditions.
- Always use handles or carrying rings when relocating the power-supply sources. Never pull from torches, cables or hoses. Be absolutely sure to carry gas cylinders separately.
- Remove all interconnections before transporting the welding / cutting equipment, each being separately, lift and transport small ones using its handles, and the big ones from its handling rings or by using appropriate haulage equipment, such as forklifts.

**Falling Parts May
Cause Injuries**


Improper positioning of the power-supply sources or other equipment can cause serious injury to persons and physical damage to other objects.

- Place your machine on the floor and platforms with a maximum tilt of 10° so that it does not fall or tip over. Choose places that do not interfere with the flow of materials, where there is no risk of tripping over on cables and hoses; yet, large, easily ventilatable, dust-free areas. To prevent gas cylinders from tipping over, on machines with a gas platform suitable for the tanks, fix the tanks on to the platform; in stationary usage applications, fix them to the wall with a chain in a way that they would not tip over for sure.
- Allow operators to easily access settings and connections on the machine.

**Excessive Use Of The
Machine Causes
Overheating**


- Allow the machine to cool down according to operation cycle rates.
- Reduce the current or operation cycle rate before starting the welding / cutting again.
- Do not block the fronts of air vents of the machines.
- Do not put filters that do not have manufacturer approvals into the machine's ventilation ports.

**Excessive Use Of The
Machine Causes
Overheating**


- This device is in group 2, class A in EMC tests according to TS EN 55011 standard.
- This class A device is not intended for use in residential areas where electrical power is supplied from a low-voltage power supply. There may be potential difficulties in providing electromagnetic compatibility due to radio frequency interference transmitted and emitted in such places.



This device is not compliant with IEC 61000 -3-12. In case if it is desired to be connected to the low voltage network used in the home, the installer to make the electrical connection or the person who will use the machine must be aware that the machine has been connected in such a manner; in this case the responsibility belongs to the user.

- Make sure that the work area complies with electromagnetic compatibility (EMC). Electromagnetic interferences during welding / cutting operations may cause undesired effects on your electronic devices and network; and the effects of these interferences that may occur during these operations are under the responsibility of the user.
- If there is any interference, to ensure compliance; extra measures may be taken, such as the use of short cables, use of shielded (armored) cables, transportation of the welding machine to another location, removal of cables from the affected device and / or area, use of filters or taking the work area under protection in terms of EMC.
- To avoid possible EMC damage, make sure to perform your welding / cutting operations as far away from your sensitive electronic devices as possible (100 m).

- Ensure that your welding and/or cutting machine has been installed and situated in its place according to the user manual.

**Evaluation Of
Electromagnetic
Suitability Of The
Work Area**



According to article 5.2 of IEC 60974-9;

Before installing the welding / cutting equipment, the person in charge of the operation and / or the user must conduct an inspection of possible electromagnetic interference in the environment.

Aspects indicated below has to be taken into consideration;

- Other supply cables, control cables, signal and telephone cables, above and below the welding / cutting machine and its equipment,
- Radio and television transmitters and receivers,
- Computer and other control hardware,
- Critical safety equipment, e.g. protection of industrial equipment,
- Medical apparatus for people in the vicinity, e.g. pacemakers and hearing aids,
- Equipment used for measuring or calibration,
- Immunity of other equipment in the environment. The user must ensure that the other equipment in use in the environment is compatible. This may require additional protection measures.
- Considering the time during which the welding / cutting operations or other activities take place during the day, the boundaries of the investigation area can be expanded according to the size of the building, the structure of the building and other activities that are being performed in the building.

In addition to the evaluation of the field, evaluation of device installations may also be necessary for solving the interfering effect. In case if deemed necessary, on-site measurements can also be used to confirm the efficiency of mitigation measures.

(Source: IEC 60974-9).

**Electromagnetic
Interference
Reduction Methods**



- The appliance must be connected to the electricity supply in the recommended manner by a competent person. If interference occurs, additional measures may be applied, such as filtering the network. The supply of the fixed-mounted arc welding equipment must be made in a metal tube or with an equivalent shielded cable. The housing of the power supply must be connected and a good electrical contact between these two structures has to be provided.
- The recommended routine maintenance of the appliance must be carried out. All covers on the body of the machine must be closed and / or locked when the device is in use. Any changes, other than the standard settings without the written approval of the manufacturer, cannot be modified on the appliance. Otherwise, the user is responsible for any consequences that may possibly occur.
- Welding / cutting cables should be kept as short as possible. They must move along the floor of the work area, in a side by side manner. Welding / cutting cables should not be wound in any way.
- A magnetic field is generated on the machine during welding / cutting. This may cause the machine to pull metal parts on to itself. To avoid this attraction, make sure that the metal materials are at a safe distance or fixed. The operator must be insulated from all these interconnected metal materials.
- In cases where the workpiece cannot be connected to the ground due to electrical safety, or because of its size and position (for example, in building marine vessel bodies or in steel construction manufacturing), a connection between the workpiece and the grounding may reduce emissions in some cases, it should be kept in mind that grounding of the workpiece may cause users to sustain injuries or other electrical equipment in the environment to break down. In cases where necessary, the workpiece and the grounding connection can be made as a direct connection, but in some countries where direct connection is not permissible, the connection can be established using appropriate capacity elements in accordance with local regulations and ordinances.
- Screening and shielding of other devices and cables in the work area can prevent aliasing effects. Screening of the entire welding / cutting area can be evaluated for some specific applications.

**Electromagnetic Field
(EMF)**



The electrical current passing through any conductor generates zonal electric and magnetic fields (EMF).

All operators must follow the following procedures to minimize the risk of exposure to EMF;

- In the name of reducing the magnetic field, the welding / cutting cables must be assembled and secured as far as possible with the joining materials (tape, cable ties etc.).
- The operator's body and head should be kept as far away from the welding / cutting machine and cables as possible,

The electrical current passing through any conductor generates zonal electric and magnetic fields (EMF).

All operators must follow the following procedures to minimize the risk of exposure to EMF;

- In the name of reducing the magnetic field, the welding / cutting cables must be assembled and secured as far as possible with the joining materials (tape, cable ties etc.).
- The operator's body and head should be kept as far away from the welding / cutting machine and cables as possible,
- Welding / cutting and electric cables should not be wrapped around the body of the machine in any way,
- The body of the machine should not get caught between the welding / cutting cables. The source cables must be kept away from the body of the machine, both being placed side by side,
- The return cable must be connected to the workpiece as close as possible to the work area,
- The welding / cutting machine should not rest against the power unit, ensconce on it and not work too close to it,
- Welding / cutting work should not be performed when carrying the wire supply unit or power unit.

EMF may also disrupt the operation of medical implants (materials placed inside the body), such as pacemakers. Protective measures should be taken for people who carry medical implants. For example, access limitation may be imposed for passers-by, or individual risk assessments may be conducted for welders. Risk assessment should be conducted and recommendations should be made by a medical professional for users who carry medical implants.



- **Protection** Do not expose the machine to rain, prevent the machine from splashing water or pressurized steam.

Energy Efficiency



- Choose the welding / cutting method and welding machine for the welding work you are to perform.
- Select the welding / cutting current and/or voltage to match the material and thickness you are going to weld.
- If you have to wait for a long time before you start your welding / cutting work, turn off the machine after the fan has cooled it down. Our machines with smart fan control will turn off on their own.

Waste Procedure



- This device is not domestic waste. It must be directed to recycling within the framework of the European Union directive and national laws.
- Obtain information from your dealer and authorized persons about the waste management of your used machines.

WARRANTY FORM



Please visit our website www.magmaweld.com/warranty-form/wr for warranty form.

TECHNICAL INFORMATION

1.1 General Information

ID 250E is an inverter welding machine that works with 3-phase 400 VAC 50-60 Hz voltage, has a direct current output, can be easily transported, and can burn MMA up to 5.0 mm. It provides excellent arc characteristics for all rutile and basic covered electrodes. The machine is fan cooled and thermally protected against overheating.

1.2 Machine Components

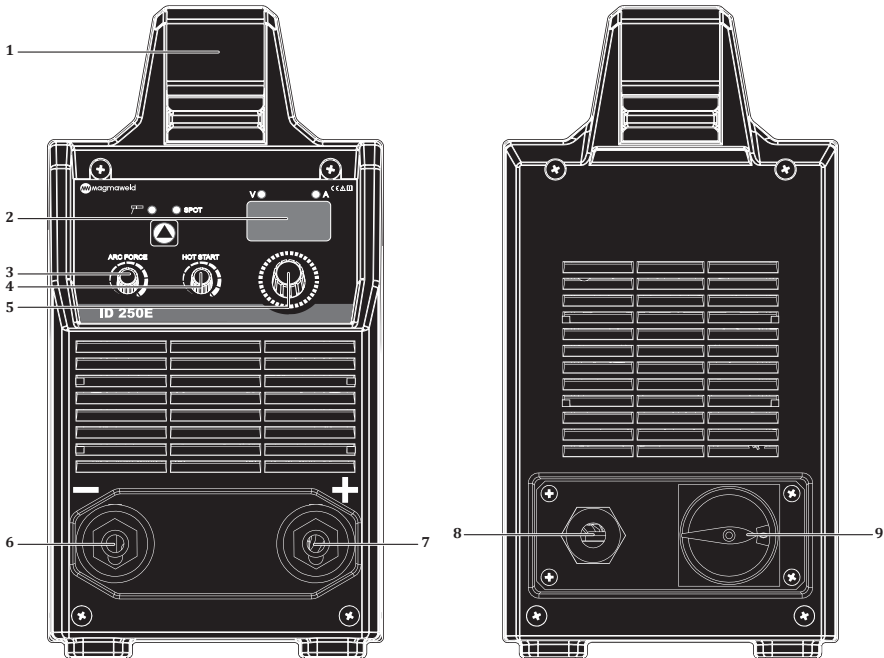


Figure 1 : ID 250E

- | | |
|---------------------------|--|
| 1- Handle | 6- Welding and Ground Cable Socket (-) |
| 2- Digital Display | 7- Welding and Ground Cable Socket (+) |
| 3- Arc Force Pot | 8- On/Off Switch |
| 4- Hot Start Pot | 9- Power Cable Inlet |
| 5- Current Adjustment Pot | |

1.3 Product Label

MAGMA MEKATRONİK MAKİNE SAN. VE TİC. A.Ş.			
Organize Sanayi Bölgesi 5.Kısım Manisa-TÜRKİYE			
ID 250E		S/N:	
		EN 60974-1/-10 Cl. A	
5A / 20.2V - 250A / 30V			
		X ^(40°C)	35% 60% 100%
	U ₀ =70V	I ₂	250A 191A 148A
		U ₂	30V 27.6V 25.9V
	U ₁ =400V	I _{1max} = 18.5A	I _{1off} = 11A
IP23S		CE	EAC UK/CA

Three Phase Transformer Rectifier

X Duty Cycle



TIG Welding

U₀ Open Circuit Voltage



MMA Welding

U₁ Mains Voltage and Frequency



Direct Current

U₂ Rated Welding Voltage



Vertical Characteristic

I₁ Rated Mains Current



Mains Input 3-Phase Alternating Current

I₂ Rated Welding Current

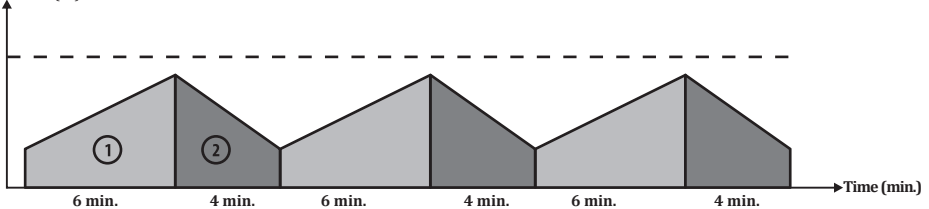


Suitable for Operation at Hazardous Environments

S₁ Rated Power

IP21S Protection Class

Duty Cycle
Temperature (C°)



As defined in the standard EN 60974-1, the duty cycle rate includes a time period of 10 minutes. For example, if a machine specified as 250A at %60 is to be operated at 250A, the machine can weld / cut without interruption in the first 6 minutes of the 10 minutes period (zone 1). However, the following 4 minutes should be kept idle for the machine cool down (zone 2).

1.4 Technical Data

TECHNICAL DATA	UNIT	ID 250E
Mains Voltage (3-phase 50-60 Hz)	V	400
Rated Power	kVA	12.7
Welding Current Range	ADC	5 - 250
Rated Welding Current (%35)	ADC	250
Open Circuit Voltage	VDC	75
Stick Electrode Diameter Range	mm	1.60 - 5.00
Dimensions (l x w x h)	mm	491 x 160 x 311
Weight	kg	10.75
Protection Class		IP 21S

1.5 Accessories

STANDARD ACCESSORIES	QTY	PRODUCT CODE
Workpiece Clamp and Cable	1	7905212503 (25 mm ² - 3 m)
Electrode Clamp and Cable	1	7906202503 (25 mm ² - 3 m)
OPTIONAL ACCESSORIES	QTY	PRODUCT CODE
Transport Trolley	1	7900000600
Rack (4, vertical)	1	7900000804
Rack (6, vertical)	1	7900000807
Rack (9, vertical)	1	7900000809
Lava TIG 20V (4 m) TIG Torch	1	7111020004
Lava TIG 20V (8 m) TIG Torch	1	7111020008



INSTALLATION

2.1 Delivery Control

Make sure that all the materials you have ordered have been received. If any material is missing or damaged, contact your place of purchase immediately.

The standard box includes the following;

- Welding machine and connected mains cable
- Workpiece clamp and cable
- Electrode clamp and cable
- Warranty certificate
- User manual

In case of a damaged delivery, record a report, take a picture of the damage and report to the transport company together with a photocopy of the delivery note. If the problem persists, contact the customer service.

Symbols and their meanings on the device



Welding may be dangerous. For welding should ensure proper working conditions, and the authorized person should take necessary precautions. Specialists are responsible for the machine and have to be equipped with the necessary equipment and those who are not relevant should be kept away from the welding area.



This device is not compatible with IEC 61000-3-12. If it is desired to connect to the low voltage mains used in homes, it is essential that the installer or the person who will operate the machine to make the electrical connection must have the information on the machine's connectivity. In this case, the person who will perform the installation or the operator will assume responsibility.



The safety symbols and warning notes on the device and in the operating instructions must be observed and the labels must not be removed.



Grids are intended for ventilation. The openings should not be covered to provide good cooling and no foreign objects should be inserted.

2.2 Installation and Operation Recommendations

- For better performance, place the machine at least 30 cm away from surrounding objects. Beware of overheating, dust and humidity around the machine. Do not operate the machine in direct sunlight. In cases where the ambient temperature exceeds 40°C, operate the machine at lower current or at a higher cycle rate.
- Avoid welding outdoors in the presence of wind and rain. If welding is necessary in such cases, protect the welding area and the welding machine with curtains and awnings.
- When positioning the machine, make sure that materials such as walls, curtains and panels do not prevent easy access to the control and connections of the machine.
- If welding indoors, use a suitable fume extraction system. If there is a risk of breathing welding fumes and gas indoors, use breathing apparatus.
- Follow the duty cycle rates specified on the product label. Exceeding duty cycle rates frequently can damage the machine and void the warranty.
- Supply cable suitable for the specified fuse value should be used.
- Connect the ground wire tightly as close as possible to the weld area. Do not allow welding current to flow over equipment other than welding cables.
- Welding cables and mains cable must not be wrapped around the machine body during operation.

2.3 Mains Plug Connection



For your safety, never use the mains cord of the machine without a plug.

- No plug has been connected to the mains cable since there may different types of outlets available in plants, construction sites and workshops. A suitable plug must be connected by a qualified technician.
- After connecting the plug to the cable, do not attach it to the outlet at this stage.

2.4 Connection to Mains



When plugging the power plug into the outlet, make sure that the power switch is set to “0”.

- Check the 3-phase with a voltmeter before connecting the machine to the mains. After detecting that each phase is 400V ($\pm 40V$), attach the plug into the wall outlet.
- Start the machine with the on / off switch.
- Turn the machine off by turning the switch back to the “0” position after hearing the fan sound and seeing the ammeter and voltmeter lights are on.

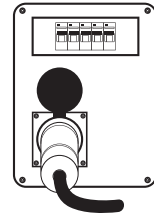


Figure 2 : Mains Connection

2.5 Connections for MMA Welding

- According to the polarity of the electrode to be used, insert welding cables into the appropriate socket and tighten them by turning clock-wise.
- Connect the earth clamp tightly to the workpiece as close as possible to the welding area.

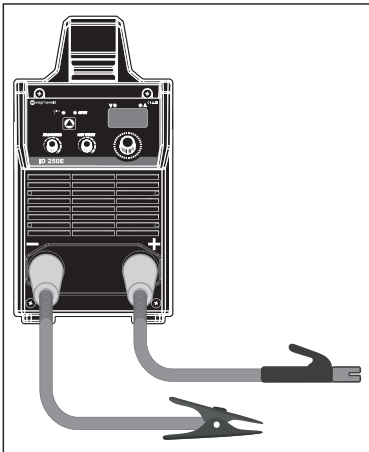


Figure 3 : MMA Welding Connections

The table below is a reference for the amperage setting of non-alloy steels. Please follow the electrode manufacturer's recommendations.

Covered Electrode Diameter (mm)	Recommended Welding Current	
	Rutile	Basic
2.0	40-60 A	-
2.5	60-90 A	60-90 A
3.25	100-140 A	100-130 A
4.0	140-180 A	140-180 A
5.0	200-240 A	200-250 A

2.6 Connections for TIG Welding

- TIG torch with a valve should be used.
- Connect the TIG torch power cable to the negative welding socket and the earth cable to the positive welding socket of the machine.
- Install the Argon gas regulator onto the Argon gas cylinder.
- Connect the gas hose of the torch to the gas regulator.
- Keep the gas cylinder valve open for a while so that possible sediment and particles are ejected.

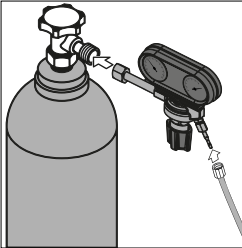


Figure 4 : Gas Cylinder Connection

The following table shows approximate values;

Electrode Diameter (mm)	Nozzle Diameter (mm)	Welding Current (ADC)	Gas Flow (lt/min)
1.0	6.3	15 - 70	6 - 8
1.6	9.5	30 - 150	6 - 8

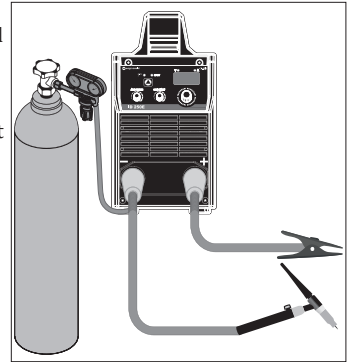
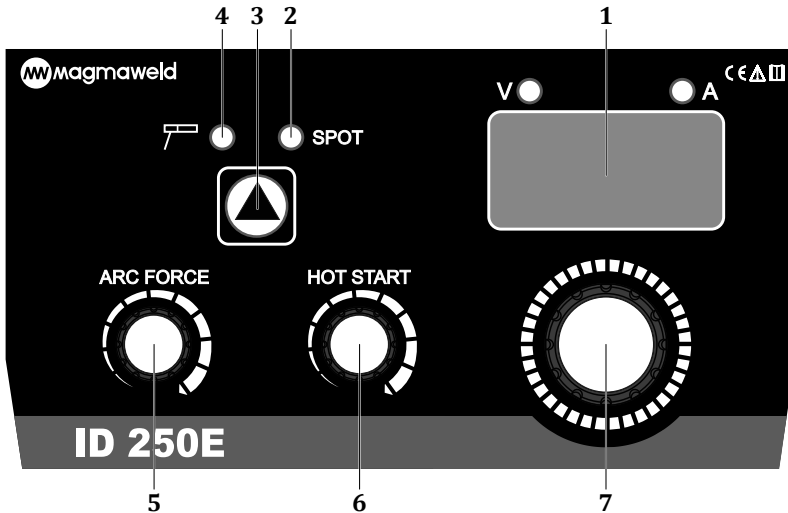


Figure 5 : TIG Welding Connection

OPERATION

EN

3.1 User Interface



1-) DIGITAL DISPLAY

- Welding current, welding voltage and other parameters can be monitored.

2-) SPOT MODE

- The SPOT mode is selected by using the menu button, the relevant led will light when this mode is selected.
- Developed for who work with short welding seams.
- This mode should be selected when shorter welding length is desired.

3-) WELDING MODE SELECTION KEY

- Used for selecting one of MMA-SPOT welding modes. Press the button once to switch to the other welding mode. The led of the selected mode will be lit.

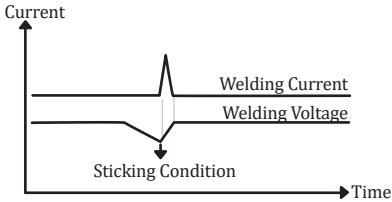
4-) MMA MODE

- MMA mode is selected by using the Menu button and the relevant led will light when this mode is selected.
- MMA mode should be selected when welding of rutile or basic electrodes is desired.

5-) ARC FORCE SETTING

Arc Force increases the welding current and prevents arc interruption based on the welding voltage if the welded electrode has a tendency to adhere. It is set between 0-100% with the help of the pot. The set value cannot exceed the maximum current of the machine.

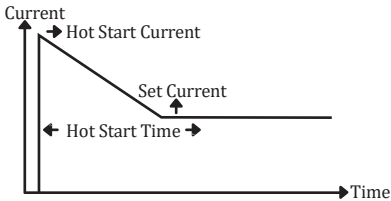
For example ; If the main current is 150 A and the Arc force is set to 100%, the current of the machine will not be 300A and the maximum current of the machine will be 250 A.



6-) HOT START SETTING

When electrode welding is started, high current is supplied for 1 second up to two times the welding current set with the Hot Start function to ignite the electrode more easily. The "Hot Start" value set at the time of the initial welding will be added to the main current as much as the percentage of the main current.

For example ; if the main current is 150 A and the Hot Start is set to 100%, the current of the machine will not be 300A and the maximum current of the machine will be 250 A. The output current will return to the set current at the end of "Hot Start" period and easy ignition is provided.



7-) CURRENT ADJUSTMENT POT

- Welding current is adjusted between 5 - 250 A in all welding modes by turning the current adjustment pot to the right and left.
- The adjusted value is monitored on the digital display.
- By pressing the current adjustment button, you can switch between current and voltage values during welding or when idle.



MAINTENANCE AND SERVICE

EN

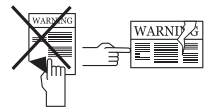
- Maintenance and repairs to the machine must be carried out by qualified persons. Magmaweld is not responsible for accidents that may occur as a result of interventions by unauthorized persons.
- You can obtain the parts to be used in the repairs from our authorized services. The use of original spare parts will extend the life of your machine and prevent performance losses.
- Always contact Magmaweld or an authorized service specified by Magmaweld.
- All warranty provisions will become void due to any interference not authorized by Magmaweld within the warranty period.
- Make sure you comply with the applicable safety rules during maintenance and repair works.
- Disconnect the machine's plugs from the mains before carrying out any repairs and wait for 10 seconds for the capacitors to discharge.

4.1 Maintenance



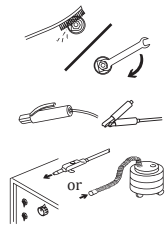
Daily Maintenance

- Do not remove the warning labels on the device. Replace the worn/ torn labels with the new ones. Labels can be obtained from the authorized service.
- Check your torch, clamps and cables. Pay attention to the connections and the durability of the parts. Replace the damaged/defective parts with the new ones. Do not ever make additions to/repair the cables.
- Ensure adequate space for ventilation.
- Before starting welding, check the gas flow rate from the tip of the torch with a flow meter. If the gas flow is high or low, bring it to the appropriate level for the welding process.



Every 6 Months

- Clean and tighten fasteners such as bolts and nuts.
- Check the electrode clamp and grounding clamp cables.
- Open the side covers of the machine and clean with low pressure dry air. Do not apply compressed air to electronic components at close distance.
- Check the socket to which the power supply plug of the machine is connected. If there is any looseness in the power cable connection points of the socket, remove such looseness. If there is an arc or expansion in the socket slots, replace them with new ones.
- Check the power supply plug of the machine. If there is any looseness in the power cable connection points in the electricity plug, remove such looseness. If there is an arc or deformation at the ends of the plug, replace it with a new one.



NOTE: The above mentioned periods are the maximum ones that should be applied if no problems are encountered in your device. Depending on the work load and contamination of your work environment, you can repeat the above processes more frequently.

4.2 Troubleshooting

The following tables contain possible errors to be encountered and their solutions.

Error	Solution
Machine does not work at all	<ul style="list-style-type: none"> • Make sure that the machine is connected to power • Check that the mains connections are correct • Check the mains power supply fuses, mains cable and its plug • Check the on / off operating switch • If you have made all the checks and if the problem still persists, please contact the authorized service center
The machine welds poorly	<ul style="list-style-type: none"> • Make sure that the machine's grounding pliers are connected to the workpiece • Make sure that the cables are secure and that the connection points are not worn • Make sure that the parameter and process selection are correct • According to the process you have chosen, follow the steps below: <ol style="list-style-type: none"> 1- Check the pole that the electrode must be connected and the current value that must be set on the machine 2- Check that the gas flow is open, ensuring that the flow is accurate 3- Make sure that the tungsten tip is clean 4- Make sure the durability of the welding torch 5- If you have made all the checks, if the problem still persists, please contact the authorized service center

4.3 Error Codes

EN

Error Code	Error	Cause	Solution
E01	Thermal Protection (Primary)	<ul style="list-style-type: none"> The duty cycle of your machine may have been exceeded 	<ul style="list-style-type: none"> Allow the machine to cool down by waiting for a while. If the fault disappears, try to use the machine at lower amperage values If the problem continues, contact the authorized service
		<ul style="list-style-type: none"> Fan may not be working 	<ul style="list-style-type: none"> Check visually whether the fan is working or not If the problem continues, contact the authorized service
		<ul style="list-style-type: none"> The front of the air inlet-outlet ducts may be blocked 	<ul style="list-style-type: none"> Open the front of the air ducts If the problem continues, contact the authorized service
		<ul style="list-style-type: none"> The machine working environment may be too hot 	<ul style="list-style-type: none"> Make sure that the working environment of the machine is not excessively hot or stuffy If the problem continues, contact the authorized service
E02	Mains Voltage Low	<ul style="list-style-type: none"> Mains voltage may have decreased 	<ul style="list-style-type: none"> Check the mains connection cables and the voltage. Make sure the correct voltage input is provided. If the mains voltage is normal, contact the authorized service
E03	Mains Voltage High	<ul style="list-style-type: none"> Mains voltage may have increased 	<ul style="list-style-type: none"> Check the mains connection cables and the voltage. Make sure the correct voltage input is provided. If the mains voltage is normal, contact the authorized service
E04	Current / Voltage Reading Error	<ul style="list-style-type: none"> There may be a hardware error 	<ul style="list-style-type: none"> Contact the authorized service
E05	Temperature Sensor Reading Error	<ul style="list-style-type: none"> There may be a hardware error 	<ul style="list-style-type: none"> Contact the authorized service
E06	Water Cooling Unit Error	<ul style="list-style-type: none"> There may be an error in the water cooling unit 	<ul style="list-style-type: none"> Check water cooling unit connector and torch inlets/outlets Make sure there is water circulation If the problem continues, contact the authorized service
E07	System Error	<ul style="list-style-type: none"> There may be a hardware error 	<ul style="list-style-type: none"> Contact the authorized service
E08			
E09			
E10	Torch Connection Error	<ul style="list-style-type: none"> The torch or torch connections may be faulty 	<ul style="list-style-type: none"> Check torch and torch connections If the problem continues, contact the authorized service
E11	System Error	<ul style="list-style-type: none"> There may be a hardware error 	<ul style="list-style-type: none"> Contact the authorized service
E12			
E13	Wire Feeder Error	<ul style="list-style-type: none"> There may be an error in wire feeding 	<ul style="list-style-type: none"> Check wire basket, reel / reel press and torch connections If the problem continues, contact the authorized service

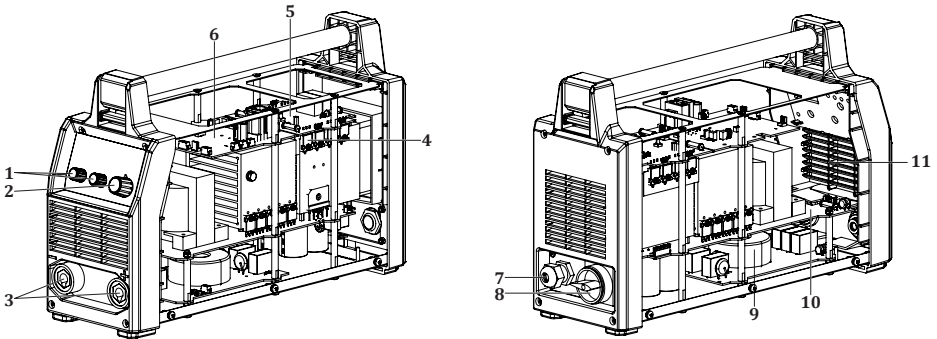
Error Code	Error	Cause	Solution
E14	System Error	<ul style="list-style-type: none"> There may be a hardware error 	<ul style="list-style-type: none"> Contact the authorized service
E15	Remote Control Communication Error	<ul style="list-style-type: none"> There may be an error in the remote control connections 	<ul style="list-style-type: none"> Check remote control connections If the problem continues, contact the authorized service
E16	System Error	<ul style="list-style-type: none"> There may be a hardware error 	<ul style="list-style-type: none"> Contact the authorized service
E17			
E18			
E19	Thermal Protection (Secondary)	<ul style="list-style-type: none"> The duty cycle of your machine may have been exceeded 	<ul style="list-style-type: none"> Allow the machine to cool down by waiting for a while. If the fault disappears, try to use the machine at lower amperage values If the problem continues, contact the authorized service
		<ul style="list-style-type: none"> Fan may not be working 	<ul style="list-style-type: none"> Visually check if the fan is working If the problem continues, contact the authorized service
		<ul style="list-style-type: none"> The front of the air inlet - outlet ducts may be blocked 	<ul style="list-style-type: none"> Unblock the front of the air ducts If the problem continues, contact the authorized service
		<ul style="list-style-type: none"> The machine working environment may be too hot or stuffy 	<ul style="list-style-type: none"> Make sure that the working environment of the machine is not excessively hot or stuffy If the problem continues, contact the authorized service
E20	System Error	<ul style="list-style-type: none"> There may be a hardware error 	<ul style="list-style-type: none"> Contact the authorized service
E21			
E22			
E23			
E26	Inlet Pressure Low	<ul style="list-style-type: none"> Inlet pressure may be low 	<ul style="list-style-type: none"> Check your air / gas connections, make sure that the inlet pressure is appropriate. If the inlet pressure is normal, contact the authorized service
E27	Torch Shield Not Installed	<ul style="list-style-type: none"> Torch shield may not be installed or properly fitted 	<ul style="list-style-type: none"> Make sure that the torch shield is correctly fitted to the machine If the problem continues, contact the authorized service
E28	System Error	<ul style="list-style-type: none"> There may be a hardware error 	<ul style="list-style-type: none"> Contact the authorized service
E29	DC Busbar Voltage Low	<ul style="list-style-type: none"> Mains voltage may have decreased 	<ul style="list-style-type: none"> Check the mains connection cables and the voltage. Make sure the correct voltage input is provided. If the mains voltage is normal, contact the authorized service
E30	DC Busbar Voltage High	<ul style="list-style-type: none"> Mains voltage may have increased 	<ul style="list-style-type: none"> Check the mains connection cables and the voltage. Make sure the correct voltage input is provided. If the mains voltage is normal, contact the authorized service
E31	System Error	<ul style="list-style-type: none"> There may be a hardware error 	<ul style="list-style-type: none"> Contact the authorized service



ANNEX

EN

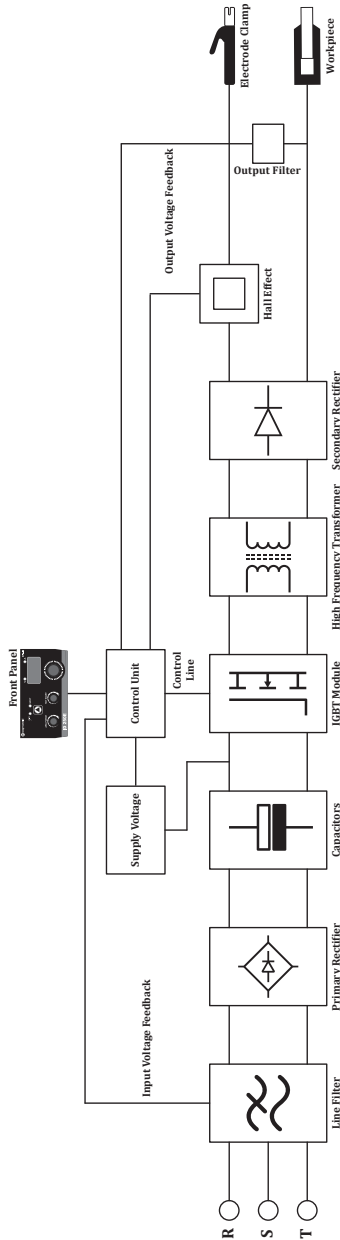
5.1 Spare Parts Lists



NO	DEFINITION	ID 250E
1	Potency Button	A229500004
2	Potency Button - Small	A229500001
3	Welding Socket	A377900104
4	Electronic Card E240A-2 V1.0	K405000342
5	Electronic Card E240A-4 V1.0	K405000344
6	Electronic Card E240A-3 V1.0	Y504000042
7	Pacco Switch	A308000017
8	Plastic Sleeve	A376400016
9	Electronic Card E240A-5 V1.0	K405000346
10	Electronic Card E240A-1 V1.0	K405000341
11	Electronic Card E223D DISP	Y504000043

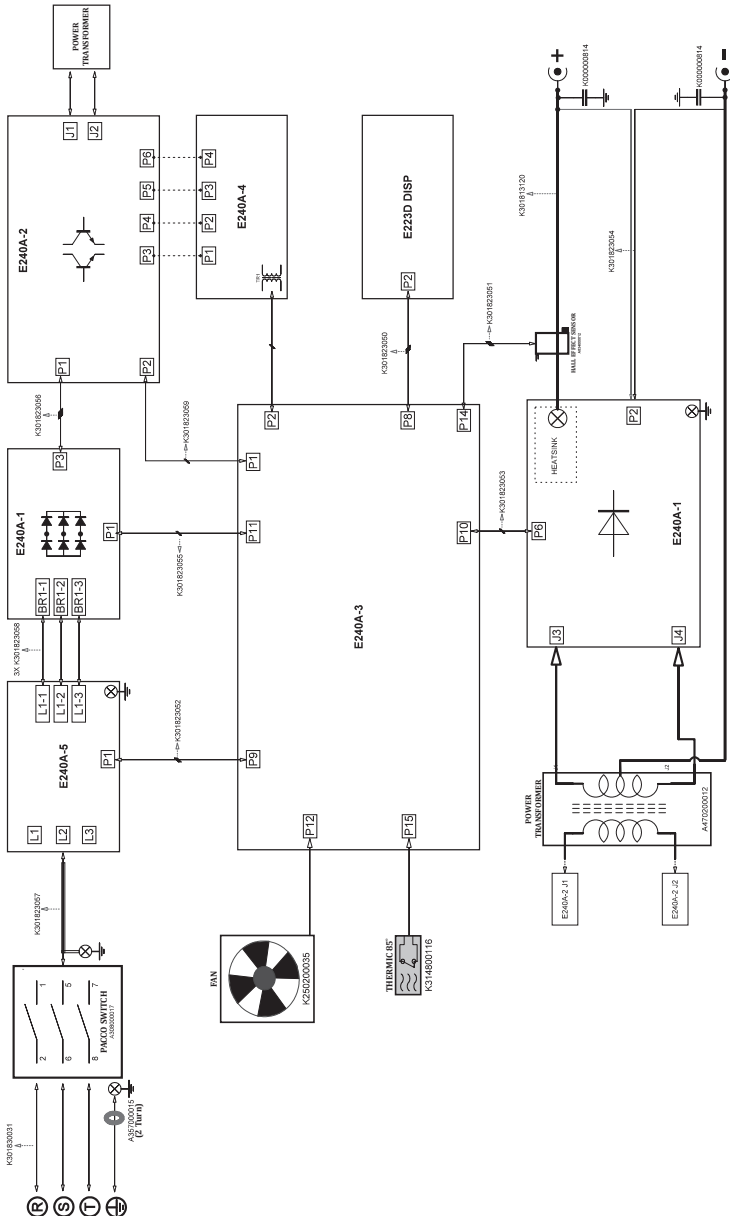
5.2 Connection Diagrams

Block Diagram



Circuit Diagrams

EN



PRODUCT INFORMATION**Model****Serial Number****MANUFACTURER****Name**

MAGMA MEKATRONİK MAKİNE SANAYİ VE TİCARET A.Ş.

Address

Organize Sanayi Bölgesi 5. Kısım MANİSA

Phone / E-mail

+90 236 226 27 00 / info@magmaweld.com

PURCHASE INFORMATION**Dealer Name****City / Country****Phone / E-mail****Purchase Date****CUSTOMER INFORMATION****Company Name****City / Country****Phone / E-mail****Contact Name****SERVICE INFORMATION (if applicable)****Company Name****Technician's Name****Commissioning Date**
(Warranty Start Date)

Please visit our web site www.magmaweld.com/warranty-terms/wt for warranty terms.

 **SOMMAIRE**

CONSIGNES DE SÉCURITÉ	30
1 SPÉCIFICATIONS TECHNIQUES	
1.1 Explications Générales	36
1.2 Composants	36
1.3 Étiquette du Produit	37
1.4 Caractéristiques Techniques	38
1.5 Accessoires	38
2 INSTALLATION	
2.1 Considérations Relatives à la Réception du Poste de Soudage	39
2.2 Conseils d'Installation et de Fonctionnement	39
2.3 Branchements Électriques	40
2.4 Branchement au Réseau	40
2.5 Connexions pour le Soudage À l'Arc	40
2.6 Connexions pour le Soudage TIG	41
3 OPERATION	
3.1 Interface Utilisateur	42
4 MAINTENANCE ET DÉFAILLANCES	
4.1 Maintenance	44
4.2 Dépannage	45
4.3 Codes d'incident	45
5 ANNEXE	
5.1 Listes des Pièces Détachées	48
5.2 Schémas de connexion	49

✓ CONSIGNES DE SÉCURITÉ

Respectez toutes les consignes de sécurité du manuel!

Informations sur la Sécurité



- Les pictogrammes de sécurité utilisés dans le présent manuel sont destinés à identifier les dangers potentiels.
- Si un pictogramme de sécurité apparaît dans le présent manuel, cela signifie qu'il existe un risque de blessure et que les dangers éventuels doivent être écartés en lisant attentivement les explications fournies.
- Le propriétaire de la machine est responsable d'empêcher les personnes non autorisées d'accéder à l'équipement.
- Toute personne appelée à travailler avec cette machine doit posséder l'expérience en soudage / coupage ou avoir terminé avec succès la formation requise, lire le présent manuel d'utilisation avant de travailler et se conformer à tout moment aux consignes de sécurité.

Pictogrammes de Sécurité



ATTENTION

Indique une situation potentiellement dangereuse qui pourrait causer des blessures ou des dommages. Le fait de ne pas prendre de précautions peut causer des blessures ou des pertes ou dommages matériels.



REMARQUE

Indique des informations et des avertissements concernant l'utilisation de la machine.



DANGER

Indique une situation imminente dangereuse qui, si elle n'est pas évitée, entraînera une blessure grave ou mortelle.

Prise de connaissance des consignes de sécurité



- Veuillez lire attentivement le présent manuel d'utilisation, les étiquettes et les consignes de sécurité se trouvant sur la machine.
- Assurez-vous que les étiquettes d'avertissement sur la machine sont en bon état. Remplacez les étiquettes manquantes ou endommagées.
- Veuillez prendre connaissance des informations concernant l'utilisation et les procédés de vérification de votre machine.
- Utilisez votre machine dans des environnements de travail appropriés.
- Des modifications inappropriées à votre machine peuvent avoir un impact négatif sur la sécurité de fonctionnement et la durée de vie de votre machine.
- Le fabricant ne pourra pas être tenu responsable des conséquences du fonctionnement de l'appareil en dehors des conditions préconisées.

L'électrisation peut entraîner la mort



Veuillez à ce que les procédures d'installation soient conformes aux normes nationales en matière d'électricité et aux autres règlements pertinents. L'installation de la machine doit être effectuée par des personnes autorisées.

- Porter un tablier de travail et des gants de protection secs offrant une bonne isolation. Ne jamais utiliser des gants et des tabliers de travail mouillés ou endommagés.
- Porter des vêtements de protection ignifuges contre le risque de brûlure. Les vêtements utilisés par l'opérateur doivent être protégés contre les étincelles, les projections et le rayonnement d'arc.
- Ne travaillez pas seul. Soyez sûr d'avoir quelqu'un qui peut vous aider en cas de danger dans votre lieu de travail.
- Ne touchez pas l'électrode avec la main nue. Ne laissez pas être en contact la pince d'électrode ou l'électrode avec quelqu'un ou avec un objet alimentaire.
- Ne touchez aucun composant électrique.
- Ne touchez pas l'électrode si vous êtes en contact avec l'électrode reliée à la surface de travail, au plancher ou à une autre machine.
- Vous pouvez vous protéger d'une électrisation potentielle en vous isolant de la surface de travail et du sol. Utilisez un matériau isolant non inflammable, électriquement isolant, sec et non endommagé, suffisamment grand pour couper le contact de l'opérateur avec la surface de travail.
- Ne connectez pas plus d'une électrode au porte-électrode.
- Placez bien la pince de masse métal-sur-métal sur votre objet de travail ou sur la table à souder.

- Vérifiez la torche avant d'utiliser la machine. Assurez-vous que la torche et ses câbles sont en bon état. Assurez-vous de remplacer une torche endommagée ou usée.
- Ne pas laisser toucher les deux pinces de masse connectés à deux différents postes. Ceci est dangereux vu qu'il y aura deux tensions en circuit ouvert.
- Gardez le poste éteint et déconnecter les câbles de soudage quand vous vous ne travaillez pas.
- Avant de réparer la machine, retirez toutes les connexions d'alimentation et / ou les connecteurs ou éteignez la machine.
- Soyez prudent lorsque vous utilisez un long câble secteur.
- Soyez sûr que toutes les connexions sont bien serrées, propres et seches.
- Soyez sûr que les câbles sont secs, sans graisses et protégés du métal chaud et des étincelles.
- Fil dénudé peut tuer. Contrôler fréquemment vos câbles de soudage. S'il y a des câbles endommagés ou non isolés, réparer ou échanger immédiatement les câbles.
- Isoler le câble de masse quand il n'est pas connecté à un objet de travail.
- Assurez-vous que la mise à la terre de la ligne d'alimentation est correctement connectée.
- N'utilisez pas le courant alternatif (AC) dans des endroits humides, mouillés ou confinés. Eviter également les endroits où il y aura un risque de chute.
- Le courant alternatif doit être utilisé uniquement s'il est nécessaire pour le procès de soudage.
- Si le courant alternatif est obligatoire pour votre travail, utilisez (si existe) votre télécommande pour régler votre poste.

Les précautions additionnelles sont nécessaires si une des conditions hasardeuses ci-dessous existe :

- Dans des endroits humides ou si vos habilles sont mouillés,
- Sur les structures métalliques comme les escaliers, les grilles ou les échafauds,
- Dans des positions comme assises, à genoux ou allongées,
- Quand il ya un grand risque d'accident ou d'un contact inévitable avec l'objet de travail ou la masse.

Pour les conditions mentionnées ci-dessus, utilisez les équipements ci-dessous dans l'ordre de présentation :

- Un poste MIG semi-automatique en courant continu (DC),
- Un poste à souder MMA en courant continu (DC),
- Un poste en courant continue ou alternatif avec la tension réduit à circuit ouvert (VRD).

Procédures à suivre en cas de l'électrocution



- Arrêtez le courant électrique.
- Utilisez des matériaux non conductibles comme le bois sec pour couper le contact de la victime avec les câbles ou les endroits alimentés.
- Appelez les services de secours.

Si vous avez suivi une formation aux premiers secours ;

- Si la victime ne respire plus, après avoir coupé le contact de la victime avec le courant, effectuez immédiatement la réanimation cardiorespiratoire (RCP). Continuez la RCP jusqu'au moment où la victime respire de nouveau ou les secours arrivent,
- Utilisez un défibrillateur automatique (DEA) selon les instructions indiquées dessus.
- Traiter une brûlure électrique comme une brûlure thermique. Appliquez des compresses stériles et froides.

Les pièces mobiles peuvent causer des blessures



- Éloignez-vous des objets en mouvement.
- Gardez tous les capots de protection tels que les portes, les panneaux, les portes des machines et des appareils fermés et verrouillés.
- Portez des chaussures à coque métallique à protection contre le risque de chute d'objets lourds.

La fumée et les gaz peuvent être nocifs pour votre santé



L'inhalation prolongée de la fumée et du gaz générés par le soudage / coupage et le découpage est très nocive pour la santé.

- La sensation de brûlure et l'irritation au niveau des yeux, des muqueuses nasales et des voies respiratoires sont des symptômes d'une ventilation inadéquate. Dans ce cas, veuillez augmenter immédiatement le niveau de ventilation de la zone de travail et arrêter le processus de soudage / coupage si le problème persiste.
- Créez un système d'aération naturelle ou artificielle dans la zone de travail.
- Utilisez un système d'absorption de fumée approprié à l'endroit où le soudage / coupage et le découpage sont effectués. Si nécessaire, installez un système adéquat pour éliminer les fumées et les gaz accumulés dans l'ensemble de l'atelier. Utilisez un système de filtration approprié pour éviter de polluer l'environnement lors du rejet.
- Si vous travaillez dans des espaces étroits ou confinés, ou que vous soudez du plomb, du béryllium, du cadmium, du zinc, des matériaux revêtus ou peints, utilisez une protection respiratoire autonome en plus des précautions susmentionnées.

- Si les bouteilles de gaz sont groupées dans une zone séparée, assurez-y une bonne ventilation, gardez les soupapes principales fermées lorsque les bouteilles de gaz ne sont pas utilisées, et surveillez les fuites de gaz éventuelles.
- Les gaz protecteurs tels que l'argon étant plus denses que l'air, ils peuvent être inhalés à la place de l'air s'ils sont utilisés à l'intérieur. Cela présente également un risque pour votre santé.
- Ne soudez / coupez pas dans des environnements contenant des vapeurs d'hydrocarbures chlorés libérées lors de la lubrification ou de la coloration.
- Certaines pièces soudées / coupées nécessitent une ventilation spéciale. Aération spéciale Les règles de sécurité des produits qui le nécessitent doivent être lues attentivement. Le masque à gaz doit être porté Dans de tels cas, un masque à gaz approprié doit être porté.

La lumière émise par l'arc peut endommager vos yeux et votre peau



- Pour protéger vos yeux et votre visage, utilisez un masque et un écran de protection en verre appropriés (4 à 13 selon la norme EN 379).
- Protégez les autres parties nues de votre corps (bras, cou, oreilles, etc.) contre ces rayons à l'aide des vêtements de protection adéquats.
- Munissez votre plan de travail d'écrans anti-flammes au niveau des yeux et accrochez des panneaux d'avertissement afin que les gens autour de vous ne soient pas exposés aux rayons de l'arc et métaux chauds.
- Cette machine n'est pas destinée à chauffer des tuyaux gelés. Ce procédé provoquera une explosion, un incendie ou des dommages à votre installation.

Les étincelles et les protections de pièces peuvent blesser vos yeux



- Les procédés tels que le soudage / coupage, le meulage, le brossage de la surface peuvent générer des étincelles et des projections de particules métalliques. Portez des lunettes de protection homologuées munies de bordures de protection sous le masque de soudeur afin de prévenir les blessures éventuelles.

Les surfaces chaudes peuvent causer de brûlures graves



- Ne touchez pas les pièces chaudes à mains nues.
- Avant d'intervenir sur les pièces de la machine, attendez un certain temps pour les laisser refroidir.
- Si vous devez manipuler les pièces chaudes, portez des outils appropriés, gants de soudage / coupage à isolation thermique et vêtements résistant au feu.

Le bruit peut altérer votre capacité d'ouïe



- Le bruit créé par certains équipements et processus peut altérer l'ouïe.
- Si le niveau de bruit est élevé, portez des protège-oreilles agréés.

Le fil de soudage peut causer des blessures



- Ne maintenez pas la torche contre une partie du corps, d'autres personnes ou tout autre métal lors du dévidage du fil de soudage.
- Lors de l'ouverture manuelle du fil de soudage à partir de la bobine - en particulier pour les diamètres minces - le fil peut être éjecté de votre main comme un ressort, ce qui pourrait vous blesser ou blesser des tiers, protégez particulièrement vos yeux et votre visage lors de cette manipulation.

Le procédé de soudage / coupage peut entraîner des incendies et des explosions



- Ne jamais souder à proximité de matériaux inflammables. Un incendie ou des explosions peuvent se produire.
- Enlevez ces matériaux de l'environnement avant de commencer à souder / coupage ou couvrez-les avec des couvertures protectrices pour éviter les brûlures.
- Les règles nationales et internationales spécifiques s'appliquent dans ces domaines.

- Ne procédez à aucune opération de soudage / coupage e ni de découpage sur des tubes ou des tuyaux entièrement fermés.
- Avant de souder / coupage des tubes et des conteneurs fermés, ouvrez-les, videz-les complètement, ventilez-les et nettoyez-les. Prenez toutes les précautions nécessaires lors d'un soudage / coupage dans ces types d'endroits.
- Ne soudez pas les tubes ou les tuyaux destinés aux substances susceptibles de provoquer une explosion, un incendie ou d'autres réactions, même s'ils sont vides.
- L'équipement de soudage / coupage chauffe. Par conséquent, ne le placez pas sur des surfaces qui peuvent facilement être brûlées ou endommagées !

- Les étincelles générées lors du soudage peuvent provoquer un incendie. Par conséquent, gardez un extincteur, de l'eau, du sable et autres matériaux à portée de la main.
- Utilisez des clapets anti-retour, régulateurs de gaz et vannes sur les circuits de gaz inflammables, explosifs et pressurisés. Assurez-vous de leurs vérifications périodiques soient effectuées et qu'elles fonctionnent correctement.

La maintenance des machines et appareils par des personnes non autorisées peut causer des blessures



- Les équipements électriques ne doivent pas être réparés par des personnes non autorisées. Les erreurs éventuelles peuvent entraîner des blessures graves, voire mortelles, lors de l'utilisation.
- Les éléments du circuit de gaz fonctionnent sous pression; l'intervention de personnes non autorisées peut causer des explosions et des blessures graves pour les utilisateurs.
- Il est recommandé d'effectuer la maintenance technique de la machine et de ses unités auxiliaires au moins une fois par an.

Soudage / Coupage dans des endroits confinés



- Effectuez les opérations de soudage / coupage et de découpage dans des espaces confinés et de petits volumes et en compagnie d'une autre personne.
- Évitez autant que possible le soudage / coupage et le découpage dans des endroits fermés.

Le fait de ne pas prendre les précautions nécessaires lors du transport peut causer des accidents



- Prenez toutes les précautions nécessaires pour le transport de la machine. Les zones à transporter; les équipements à utiliser pour le transport et les conditions physiques et la santé de la personne chargée de la manutention doivent être conformes au processus de transport.
- Certaines machines étant extrêmement lourdes, il est important de veiller à ce que les précautions nécessaires en matière de sécurité environnementale soient prises pour la manutention.
- Si la machine de soudage doit être utilisée sur une plateforme, la capacité de charge de la plateforme doit être vérifiée.
- En cas d'utilisation d'un véhicule (chariot, chariot élévateur à fourche, etc.) lors du transport de la machine, assurez-vous que le véhicule et les accessoires d'élingage et d'arrimage (élingues, sangles d'arrimage, boulons, écrous, roues, etc.) reliant la machine au véhicule sont intacts.
- S'il s'agit d'un transport manuel, assurez-vous que les accessoires d'élingage et d'arrimage (élingues, sangles d'arrimage, etc.) et leurs connexions soient bien fixées.
- Afin de garantir les conditions de transport nécessaires, consultez les règles de l'Organisation Internationale du Travail sur le poids du transport et les réglementations en vigueur dans votre pays.
- Utilisez toujours des poignées ou des anneaux pour le déplacement du bloc d'alimentation. Ne tirez jamais sur les torches, les câbles ou les tuyaux. Transportez toujours les bouteilles de gaz séparément.
- Avant de transporter le matériel de soudage / coupage et de découpe, débranchez toutes les connexions intermédiaires, puis soulevez et transportez les petites pièces séparément en les tenant par leurs poignées, et les grandes à l'aide d'un équipement de manutention approprié tel que des anneaux de transport ou des chariots élévateurs.

La chute de pièces peut causer des blessures



Ne pas positionner correctement l'alimentation électrique ou tout autre équipement peut causer des blessures graves et des dommages matériels.

- Installer votre machine sur des sols et des plateformes avec une inclinaison maximale de 10° pour éviter les chutes et les renversements. Préférez les zones immobiles, mais vastes, facilement ventilées et sans poussière, qui ne génèrent pas le flux de matériaux. Disposez les câbles et tuyaux de telle manière que personne ne puisse les piétiner ou trébucher dessus. Pour éviter que les bouteilles de gaz ne se renversent, fixez-les sur la plate-forme pour les machines équipées d'une plate-forme à gaz adaptée à la bouteille et sur le mur à l'aide d'une chaîne pour les installations fixes afin d'éviter tout basculement.
- Les opérateurs doivent facilement et rapidement accéder aux paramètres de commande et connexions de la machine.

Une utilisation excessive provoque la surchauffe de la machine



- Laissez la machine refroidir en fonction des cycles de fonctionnement.
- Réduisez le courant ou le taux de cycle de fonctionnement avant de recommencer le soudage.
- Ne bloquez pas les entrées de ventilation de la machine.
- Ne placez pas de filtre sur les entrées de ventilation de la machine sans l'approbation du fabricant.

Le soudage à l'arc peut causer des interférences électromagnétiques



Cet appareil n'est pas conforme à la norme CEI 61000-312. Si vous souhaitez vous connecter au réseau basse tension utilisé dans les maisons, l'installateur ou la personne qui utilisera la machine doit être familiarisé avec la connexion de la machine, dans ce cas la responsabilité appartient à l'opérateur.

- Cet appareil appartient au groupe 2, classe A dans les tests de CEM selon la norme TS EN 55011.
- Cet appareil de classe A n'est pas destiné à une utilisation dans les zones résidentielles où l'électricité est fournie à partir d'un réseau basse tension. Il peut être difficile d'assurer la compatibilité électromagnétique en raison des interférences radioélectriques transmises et émises dans ces endroits.
- Assurez-vous que la zone d'exploitation soit conforme à la compatibilité électromagnétique (CEM). Les interférences électromagnétiques qui peuvent se produire lors du soudage / coupage ou du découpage peuvent causer des effets indésirables sur vos appareils électroniques et votre secteur. Les effets qui peuvent se produire au cours du processus sont sous la responsabilité de l'opérateur.
- Si des interférences se produisent, des mesures supplémentaires peuvent être prises pour assurer la conformité, telles que l'utilisation de câbles courts, l'utilisation de câbles blindés, le transport de la machine à souder vers un autre endroit, l'enlèvement des câbles du dispositif et/ou de la zone affectée, l'utilisation de filtres, ou la protection CEM de la zone de travail.
- Effectuez les opérations de soudage / coupage le plus loin possible (100 m) de vos appareils électroniques sensibles pour prévenir les dommages CEM potentiels.
- Assurez-vous que votre machine de soudage et de découpe est installée et placée conformément aux consignes d'utilisation.

Conformément à l'article 5.2 de CEI 60974-9 ;

Évaluation de la compatibilité électromagnétique du champ de fonctionnement



Avant d'installer la machine de soudage / coupage et de découpe, le responsable du site et / ou l'opérateur doit vérifier les interférences électromagnétiques éventuelles dans l'environnement. Les conditions suivantes sont à considérer ;

- Autres câbles d'alimentation, câbles de commande, câbles de signalisation et câbles téléphoniques au-dessus, au-dessous et à côté de la machine et du matériel de soudage / coupage,
- Émetteurs et récepteurs de radio et de télévision,
- Matériel informatique et autre matériel de contrôle,
- Équipements de sécurité critiques, par exemple protection de l'équipement industriel,
- Appareils médicaux des personnes à proximité, tels que stimulateurs cardiaques et appareils auditifs,
- Équipement utilisé pour la mesure ou l'étalonnage,
- Immunité des autres équipements dans l'environnement. L'opérateur doit s'assurer que tout autre matériel utilisé dans l'environnement soit compatible. Cela peut nécessiter des mesures de protection supplémentaires,
- Les limites de la zone d'inspection peuvent se varier en fonction du temps pendant lequel le procédé de soudage / coupage ou d'autres activités seront effectués pendant la journée, de la taille de l'environnement, de la structure du bâtiment et d'autres activités.

En plus de l'évaluation des conditions de la zone, l'évaluation de l'installation des appareils peut également être nécessaire pour résoudre l'effet perturbateur. Si nécessaire, des mesures sur site peuvent également être prises pour confirmer l'efficacité des mesures d'atténuation.
(Source: CEI 60974-9)

Moyens pour réduire les interférences



- La machine doit être branchée à un réseau électrique tel que recommandé et par une personne autorisée. En cas d'interférence, des mesures supplémentaires telles que le filtrage du réseau peuvent être mises en place. L'alimentation d'équipement de soudage à l'arc fixe doit être effectuée à partir du tube métallique ou un câble blindé équivalent. Une connexion et un bon contact électrique doivent être assurés entre le blindage et le boîtier de l'alimentation.
- L'entretien de routine recommandé pour la machine doit être effectué. Lors de l'utilisation de la machine, tous les capots de protection doivent être fermés et / ou consignés. Aucun changement ni modification autre que les réglages standards ne doivent être effectués sur la machine sans l'approbation écrite du fabricant. Sinon, l'opérateur sera responsable de toutes les conséquences.
- Les câbles de soudage / coupage doivent être aussi courts que possible. Le cheminement des câbles sur le sol de la zone de travail doit être parallèle. Les câbles de soudage ne doivent en aucun cas être enroulés autour du corps.
- Un champ magnétique se forme dans la machine lors du soudage / coupage. Cela peut amener la machine à tirer les pièces métalliques sur elle-même. Afin d'éviter ce phénomène, assurez-vous que les matériaux métalliques soient à une distance de sécurité et sécurisés. L'opérateur doit être isolé de tous ces matériaux métalliques interconnectés.

- Toutefois, dans certains pays où la connexion directe n'est pas autorisée, la connexion peut être établie à l'aide d'éléments de capacité appropriés, conformément aux réglementations locales en vigueur. Le blindage et la protection d'autres périphériques et câbles dans la zone de travail peuvent prévenir les effets perturbateurs. Le cas échéant, la connexion entre la pièce à usiner et la terre peut être réalisée sous forme de connexion directe. Toutefois, dans certains pays où la connexion directe n'est pas autorisée, la connexion peut être établie à l'aide d'éléments de capacité appropriés, conformément aux réglementations locales en vigueur.
- Le blindage et la protection d'autres périphériques et câbles dans la zone de travail peuvent prévenir des effets perturbateurs. Le blindage de toute la zone de soudage / coupage peut être évalué pour certaines applications spécifiques.

Magnétique électromagnétique (CEM)



Le courant électrique passant par n'importe quel conducteur crée des champs électriques et magnétiques régionaux (CEM). Les opérateurs doivent suivre les procédures suivantes afin de minimiser les risques engendrés par l'exposition aux CEM du circuit de soudage :

- Afin de réduire le champ magnétique, les câbles de soudage / coupage doivent être rassemblés et fixés autant que possible avec des équipements de fixation (ruban, serre-câbles, etc.).
- Le corps et la tête de l'opérateur doivent être tenus aussi loin que possible de la machine à soudage / coupage et des câbles.
- Les câbles électriques et de soudage / coupage ne doivent jamais être enroulés autour du corps du poste à souder.
- Le corps ne doit pas rester entre les fils de soudage / coupage. Les câbles de soudage doivent être tenus à l'écart du qq corps, côte à côte.
- Le câble de retour doit être connecté à la pièce à usiner aussi près que possible de la zone soudage / coupage.
- Ne vous appuyez pas sur le groupe électrogène de soudage, ne vous asseyez pas dessus et ne travaillez pas trop près.
- Le soudage / coupage ne doit pas être effectué pendant le transport de l'unité d'alimentation en fil de soudage / coupage ou du bloc d'alimentation en courant de soudage.

Les CEM peuvent également perturber le fonctionnement des implants médicaux (substance placée à l'intérieur du corps), tels que les stimulateurs cardiaques. Des mesures de protection doivent être prises pour les personnes portant des implants médicaux. Par exemple, l'accès dans la zone du travail pourraient être restreint pour les passants, ou des évaluations individuelles des risques pourraient être effectuées pour les soudeurs. Une évaluation des risques doit être effectuée par un spécialiste médical pour les utilisateurs d'implants médicaux.



- N'exposez pas la machine à la pluie, empêchez les éclaboussures d'eau ou de la vapeur pressurisée d'y pénétrer.

Efficacité Énergétique



- Choisissez la méthode et la machine de soudage / coupage appropriées pour votre soudage.
- Sélectionnez le courant et/ou la tension de soudage / coupage en fonction du matériau et de l'épaisseur auxquels vous soudez.
- Si vous devez attendre longtemps pour le soudage / coupage, éteignez la machine une fois que le ventilateur l'a refroidie. Nos machines (produits) munies d'un système de ventilateur intelligent s'arrêteront automatiquement.

Procédure relative aux déchets



- Cet appareil n'est pas un déchet ménager. Elle doit être déposée dans un centre de recyclage agréé dans le cadre de la directive de l'Union Européenne et du droit national.
- Renseignez-vous auprès de votre revendeur et des personnes autorisées sur la gestion des déchets de votre machine usagée.

FORMULAIRE DE GARANTIE



Pour le formulaire de garantie, visitez notre site web www.magmaweld.fr/formulaire-de-garantie/wr.

SPÉCIFICATIONS TECHNIQUES

1.1 Explications Générales

ID 250E est une poste à souder à onduleur qui fonctionne avec une tension triphasée de 400 VCA 50-60 Hz, a une sortie de courant continu, peut être facilement transportée et peut brûler du MMA jusqu'à 5,0 mm. Il offre d'excellentes caractéristiques d'arc pour toutes les électrodes enrobées rutiles et basiques. La poste est refroidie par ventilateur et protégée thermiquement contre la surchauffe.

1.2 Composants

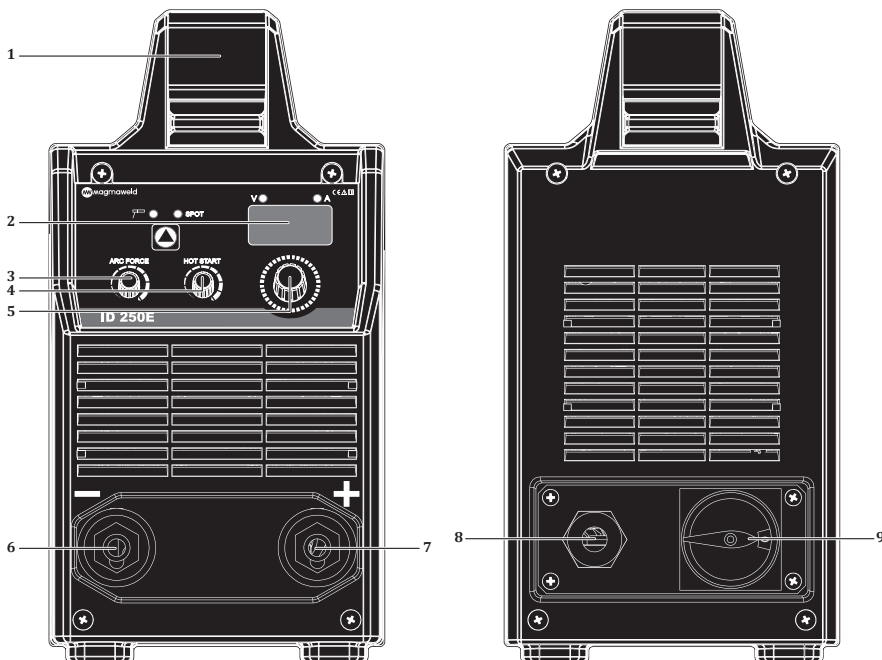


Figure 1 : ID 250E

- | | |
|---|---|
| <ul style="list-style-type: none"> 1- Poignée 2- Affichage numérique 3- Potentiomètre Arc Force 4- Pot de démarrage à chaud 5- Pot de réglage du courant | <ul style="list-style-type: none"> 6- Prise de câble de soudage et de mise à la terre (-) 7- Prise de câble de soudage et de masse (+) 8- Interrupteur Marche/Arrêt 9- Entrée du câble d'alimentation |
|---|---|

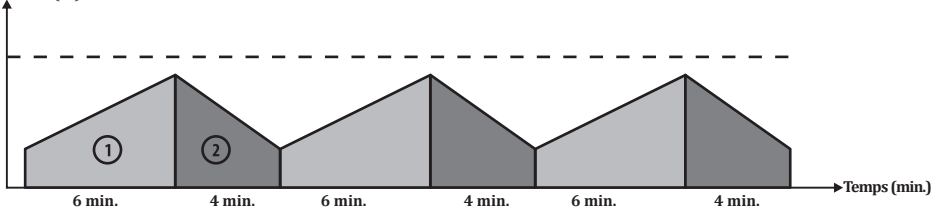
1.3 Étiquette du Produit

MAGMA MEKATRONİK MAKİNE SAN. VE TİC. A.Ş.			
Organize Sanayi Bölgesi 5.Kısım Manisa-TÜRKİYE			
ID 250E		S/N:	
		EN 60974-1/-10 Cl. A	
		5A / 20.2V - 250A / 30V	
	$U_0=70V$	$X^{(40^{\circ}C)}$	35% 60% 100%
		I_2	250A 191A 148A
		U_2	30V 27.6V 25.9V
	$U_1=400V$	$I_{1max}= 18.5A$	$I_{1off}= 11A$
IP23S	CE	EAC	UK CA

FR

	Transformateur Redresseur Triphasé	X	Cycle de Fonctionnement
	Soudage TIG	U_0	Tension de Fonctionnement à Vide
	Soudage MMA	U_1	Tension et Fréquence du Secteur
	Courant Continu	U_2	Tension Nominale de Soudage
	Caractéristique Verticale	I_1	Courant d'entrée Assigné
	Entrée Secteur - Courant Alternatif Triphasé	I_2	Courant d'entrée Nominal
	Compatible Pour Travailler dans des Environnements Dangereux	S_1	Tension d'entrée Assignée
		IP21S	Classe de Protection

Cycle de Fonctionnement
Température (C°)



Le taux de cycle de fonctionnement comprend une période de 10 minutes, telle que définie dans l'EN 60974-1. Par exemple, si vous souhaitez travailler à 250 A sur un poste spécifié à 250 A à 60%, le poste peut souder / couper sans arrêt (zone 1) pendant les 6 premières minutes de la période de 10 minutes. Cependant, le poste doit rester inactive pendant les 4 minutes suivantes pour se refroidir.

1.4 Caractéristiques Techniques

SPÉCIFICATIONS TECHNIQUES	UNITÉ	ID 250E
Alimentation Triphasé 50/60 Hz	V	400
Tension d'Entrée Assignée Électrode Enrobée	kVA	12.7
Zone d'Ajustement de Courant de Soudage	ADC	5 - 250
Courant d'Entrée Nominal pour Soudage TIG (%35)	ADC	250
Tension de Circuit Ouvert	VDC	75
Gamme de Diamètres d'Électrode de Bâton	mm	1.60 - 5.00
Dimensions (l x w x h)	mm	491 x 160 x 311
Poids	kg	10.75
Classe de Protection		IP 21S

1.5 Accessoires

ACCESSOIRES STANDARDS	QUANTITÉ	CODE PRODUIT
Pince et Câble de Masse	1	7905212503 (25 mm ² - 3 m)
Pince et Câble d'Électrode	1	7906202503 (25 mm ² - 3 m)
ACCESSOIRES OPTIONNELS	QUANTITÉ	CODE PRODUIT
Chariot de Transport	1	7900000600
Grille (4, verticale)	1	7900000804
Grille (6, verticale)	1	7900000807
Grille (9, verticale)	1	7900000809
Torche TIG Lava 20V (4m)	1	7111020004
Torche TIG Lava 20V (8m)	1	7111020008

INSTALLATION

2.1 Considérations Relatives à la Réception du Poste de Soudage

FR

Assurez-vous que tous les composants que vous avez commandés soient livrés. Si un matériel quelconque est manquant ou endommagé, contactez immédiatement votre revendeur.

La boîte standard comprend les éléments suivants :

- Poste principale et câble secteur connecté
- Pince et Câble de Masse
- Pince et Câble d'Électrode
- Certificat de Garantie
- Manuel d'Utilisation

En cas de réception de la marchandise endommagée, prenez les photos des dégâts constatés et signalez-les au transporteur avec une copie du bon de livraison. Si le problème persiste, contactez le service client.

Symboles se trouvant sur le poste de soudage et leur signification



Le procédé de soudage est dangereux. Les conditions de travail appropriées doivent être fournies et les précautions nécessaires doivent être prises. Les experts sont responsables de la poste et doivent fournir le matériel nécessaire. Les personnes non concernées doivent être tenues à l'écart de la zone de soudage.



Ce poste de soudage n'est pas conforme à la norme CEI 61000-3-12. Si vous souhaitez vous connecter au réseau basse tension utilisé dans les résidences, l'installateur ou la personne qui utilisera la poste doit être familiarisé avec la connexion de la poste, dans ce cas la responsabilité appartient à l'opérateur.



Il faut respecter les symboles de sécurité et les avertissements qui se trouvent sur le poste et dans le manuel d'utilisation et ne pas retirer les étiquettes.



Les grilles sont destinées à la ventilation. Les ouvertures ne doivent pas être recouvertes afin d'assurer un bon refroidissement et aucun corps étranger ne doit être y introduit.

2.2 Conseils d'Installation et de Fonctionnement

- Pour de meilleures performances, placez la poste à au moins 30 cm des objets environnants. Attention à la surchauffe, à la poussière et à l'humidité autour de la poste. Ne faites pas fonctionner la poste en plein soleil. Dans les cas où la température ambiante dépasse 40°C, faire fonctionner la poste à un courant plus faible ou à une fréquence de cycle plus élevée.
- Éviter de souder à l'extérieur en présence de vent et de pluie. Si le soudage est nécessaire dans de tels cas, protégez la zone de soudage et la poste à souder avec des rideaux et des auvents.
- Lors du positionnement de la poste, assurez-vous que les matériaux tels que les murs, les rideaux et les panneaux n'empêchent pas un accès facile aux commandes et aux connexions de la poste.
- Si vous soudez à l'intérieur, utilisez un système d'extraction de fumée approprié. S'il y a un risque de respirer des fumées et des gaz de soudage à l'intérieur, utiliser un appareil respiratoire.
- Suivez les taux de cycle de service spécifiés sur l'étiquette du produit. Le dépassement fréquent des taux de cycle de service peut endommager la poste et annuler la garantie.
- Un câble d'alimentation adapté à la valeur de fusible spécifiée doit être utilisé.
- Raccordez fermement le fil de terre aussi près que possible de la zone de soudure. Ne laissez pas le courant de soudage circuler sur des équipements autres que les câbles de soudage.
- Les câbles de soudage et le câble d'alimentation ne doivent pas être enroulés autour du corps de la poste pendant le fonctionnement.

2.3 Branchements Électriques



Pour votre sécurité, n'utilisez jamais le câble secteur de la poste sans fiche.

- Puisqu'il peut y avoir différentes prises en fonction de l'usine, des chantiers de construction et des ateliers, le câble d'alimentation est livré sans fiche. Une fiche adaptée à la prise doit être connectée par un électricien qualifié.
- Après le raccordement de la fiche au câble, ne pas brancher le câble à la prise à ce stade.

2.4 Branchement au Réseau



Lorsque vous branchez la fiche d'alimentation dans la prise, assurez-vous que l'interrupteur d'alimentation est réglé sur « 0 ».

- Vérifier le triphasé avec un voltmètre avant de brancher la poste sur le secteur. Après avoir détecté que chaque phase est de 400 V (± 40 V), branchez la fiche dans la prise murale.
- Démarrez la poste avec l'interrupteur marche/arrêt.
- Éteignez la poste en remettant l'interrupteur en position « 0 » après avoir entendu le bruit du ventilateur et vu que les voyants de l'ampèremètre et du voltmètre sont allumés.

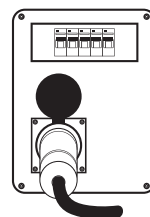


Figure 2 : Connexion secteur

2.5 Connexions pour le Soudage À l'Arc

- En fonction de la polarité de l'électrode à utiliser, insérer les câbles de soudage dans la prise appropriée et les serrer en tournant dans le sens des aiguilles d'une montre.
- Raccordez fermement la pince de mise à la terre à la pièce à travailler aussi près que possible de la zone de soudage.

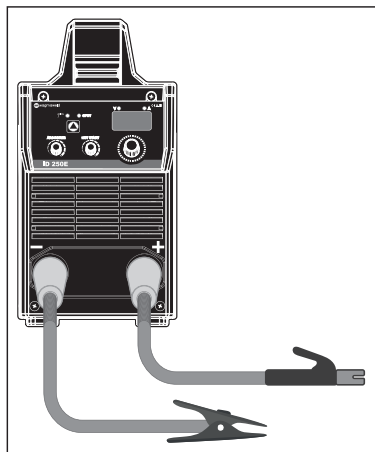


Figure 3 : Connexions de soudage MMA

Le tableau ci-dessous est une référence pour le réglage de l'intensité des aciers non alliés.

Veillez suivre les recommandations du fabricant d'électrodes.

Electrodes Enrobées Diamètre (mm)	Courant de Soudage Recommandé	
	Rutile	Basique
2.0	40-60 A	-
2.5	60-90 A	60-90 A
3.25	100-140 A	100-130 A
4.0	140-180 A	140-180 A
5.0	200-240 A	200-250 A

2.6 Connexions pour le Soudage TIG

- Une torche TIG à valve doit être utilisée.
- Branchez le câble d'alimentation de la torche TIG sur la prise de soudage négative et le câble de terre sur la prise de soudage positive du poste de soudage.
- Installez le régulateur de gaz Argon sur la bouteille de gaz Argon.
- Connectez le tuyau de gaz de la torche au régulateur de gaz.
- Gardez le robinet de la bouteille de gaz ouvert pendant un certain temps afin que les éventuels sédiments et particules soient éjectés.

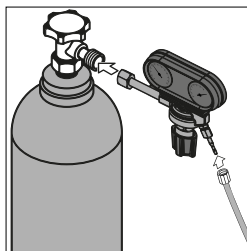


Figure 4 : Connexion de la bouteille de gaz

Le tableau suivant montre des valeurs approximatives ;

Diamètre de l'électrode (mm)	Diamètre de la buse (mm)	Courant de soudage (ADC)	Débit de gaz (l/min)
1.0	6.3	15 - 70	6 - 8
1.6	9.5	30 - 150	6 - 8

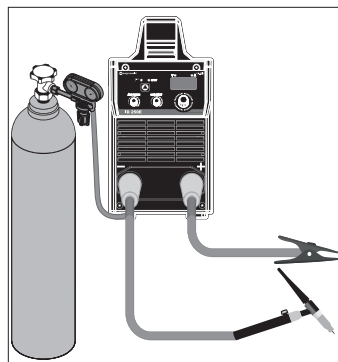
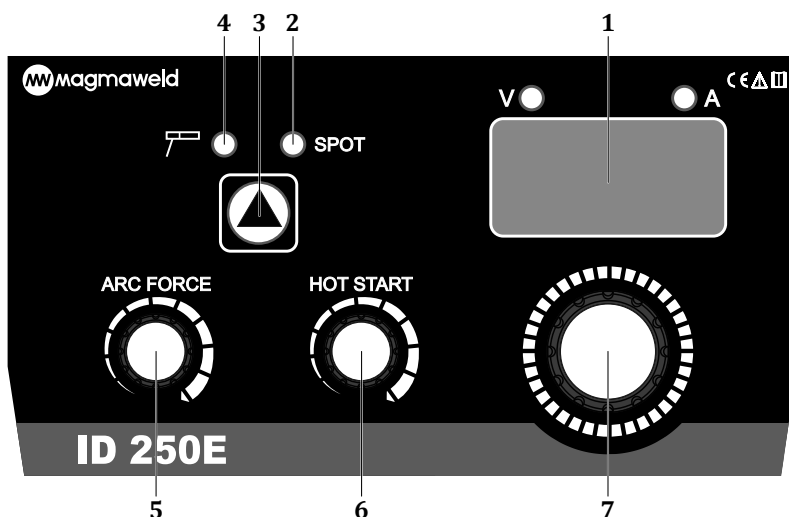


Figure 5 : Connexions de soudage TIG

UTILISATION

3.1 Interface Utilisateur



1-) AFFICHAGE NUMÉRIQUE

- Le courant de soudage, la tension de soudage et d'autres paramètres peuvent être surveillés.

2-) MODE SPOT

- Le mode SPOT est sélectionné à l'aide du bouton menu, la led correspondante s'allume lorsque ce mode est sélectionné.
- Développé pour ceux qui travaillent avec des cordons de soudure courts.
- Ce mode doit être sélectionné lorsqu'une longueur de soudage plus courte est souhaitée.

3-) TOUCHE DE SÉLECTION DU MODE DE SOUDAGE

- Utilisé pour sélectionner l'un des modes de soudage MMA-SPOT. Appuyez une fois sur le bouton pour passer à l'autre mode de soudage. La led du mode sélectionné s'allumera.

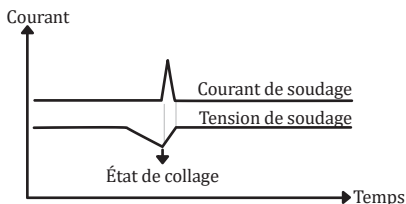
4-) MODE MMA

- Le mode MMA est sélectionné à l'aide du bouton Menu et le voyant correspondant s'allume lorsque ce mode est sélectionné.
- Le mode MMA doit être sélectionné lorsque le soudage d'électrodes rutiles ou basiques est souhaité.

5-) RÉGLAGE DE LA ARC FORCE

Arc Force augmente le courant de soudage et empêche l'interruption de l'arc en fonction de la tension de soudage si l'électrode soudée a tendance à coller. Il est réglé entre 0 et 100 % à l'aide du pot. La valeur réglée ne peut pas dépasser le courant maximum de la poste.

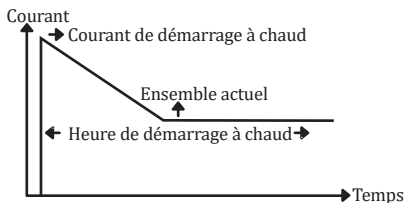
Par exemple ; Si le courant principal est de 150 A et que la force d'arc est réglée sur 100 %, le courant de la poste ne sera pas de 300 A et le courant maximum de la poste sera de 250 A.



6-) RÉGLAGE DE HOT START

Lorsque le soudage à l'électrode démarre, un courant élevé est fourni pendant 1 seconde jusqu'à deux fois le courant de soudage réglé avec la fonction Hot Start pour allumer l'électrode plus facilement. La valeur « Hot Start » réglée au moment du soudage initial sera ajoutée au courant principal autant que le pourcentage du courant principal.

Par exemple, si le courant principal est de 150 A et que le démarrage à chaud est réglé sur 100 %, le courant de la poste ne sera pas de 300 A et le courant maximum de la poste sera de 250 A. Le courant de sortie reviendra au courant défini. à la fin de la période de "démarrage à chaud" et un allumage facile est fourni.



7-) POT DE REGLAGE DU COURANT

- Le courant de soudage est réglé entre 5 et 250 A dans tous les modes de soudage en tournant le potentiomètre de réglage du courant vers la droite et vers la gauche.
- La valeur ajustée est surveillée sur l'affichage numérique.
- En appuyant sur le bouton de réglage du courant, vous pouvez basculer entre les valeurs de courant et de tension pendant le soudage ou au repos.



MAINTENANCE ET DÉFAILLANCES

FR

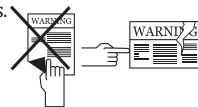
- L'entretien et les réparations de la poste doivent être effectués par des personnes qualifiées. Magmaweld n'est pas responsable des accidents pouvant survenir à la suite d'interventions de personnes non autorisées.
- Vous pouvez vous procurer les pièces à utiliser pour les réparations auprès de nos services agréés. L'utilisation de pièces de rechange d'origine prolongera la durée de vie de votre poste et évitera les pertes de performances.
- Contactez toujours Magmaweld ou un service autorisé spécifié par Magmaweld.
- Toutes les dispositions de la garantie deviendront nulles en raison de toute interférence non autorisée par Magmaweld pendant la période de garantie.
- Assurez-vous de respecter les règles de sécurité applicables lors des travaux d'entretien et de réparation.
- Débranchez les fiches de la poste du secteur avant d'effectuer toute réparation et attendez 10 secondes que les condensateurs se déchargent.

4.1 Maintenance



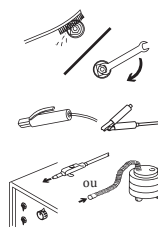
Maintenance Journalière

- Ne retirez pas les étiquettes d'avertissement. Remplacez les étiquettes usées/ déchirées par des neuves. Vous pouvez obtenir les étiquettes auprès de votre revendeur.
- Vérifiez la torche, les pinces et les câbles. Vérifiez le bon état et les fixations des composants. Remplacez les pièces endommagées ou défectueuses par des nouvelles. N'utilisez pas des rallonges pour les câbles et n'essayez jamais réparer un câble.
- Assurez-vous qu'il y a suffisamment d'espace pour la ventilation.
- Avant de commencer le soudage, vérifiez le débit de gaz de la pointe de la torche à l'aide d'un débitmètre. Si le débit de gaz est élevé ou faible, amenez-le au niveau adapté pour le soudage.



Tous Les 6 Mois

- Nettoyez et serrez les fixations telles que les boulons et les écrous.
- Vérifiez le fil de la pince à électrode et de la pince de masse.
- Ouvrez les capots latéraux de la poste et nettoyez-les à l'air sec à basse pression. N'appliquez pas d'air comprimé sur des composants électroniques à courte distance.
- Vérifiez la prise à laquelle la fiche d'alimentation du poste est connectée. Supprimez le jeu éventuel dans les points de connexion du câble d'alimentation de la prise. En cas d'arc ou d'expansion au niveau des connecteurs, remplacez la prise.
- Vérifiez la fiche d'alimentation du poste. Supprimez le jeu éventuel des points de connexion du câble d'alimentation. En cas d'arc ou d'expansion au niveau de la fiche, remplacez-la.



REMARQUE: Les délais mentionnés ci-dessus sont les périodes maximales à appliquer dans le cas où aucun problème ne se produit sur le poste. En fonction de la densité de votre activité et de la pollution de votre environnement de travail, vous pouvez répéter les opérations ci-dessus plus fréquemment.

4.2 Dépannage

Vous pouvez obtenir les étiquettes des services autorisés.

Incident	Solution
La poste ne fonctionne pas du tout	<ul style="list-style-type: none"> • S'assurer que la poste est branchée au secteur • Vérifiez que les connexions réseau sont correctes • Vérifiez les fusibles d'alimentation, le câble d'alimentation et la fiche • Vérifiez l'interrupteur marche/arrêt • Si le problème continue malgré tous contrôles, veuillez contacter votre SAV agréé
La poste ne soude pas bien	<ul style="list-style-type: none"> • S'assurer que la pince de masse du poste est connecté à la pièce à travailler • S'assurer que le câblage est sécurisé et que les points de montage ne sont pas usés • S'assurer que le choix des paramètres et du procédé est correct • Suivez ces étapes en fonction du procédé que vous avez sélectionné : <ol style="list-style-type: none"> 1- Cochez la case sur laquelle l'électrode doit être connectée et la valeur de courant qui doit être réglée sur la poste 2- Vérifier que le flux de gaz est activé, vérifier que le flux est correct 3- Vérifier que la pointe du tungstène est propre 4- Vérifier la propreté de la torche de soudage 5- Si vous avez effectué toutes les vérifications et que le problème persiste votre SAV agréé

4.3 Codes d'incident

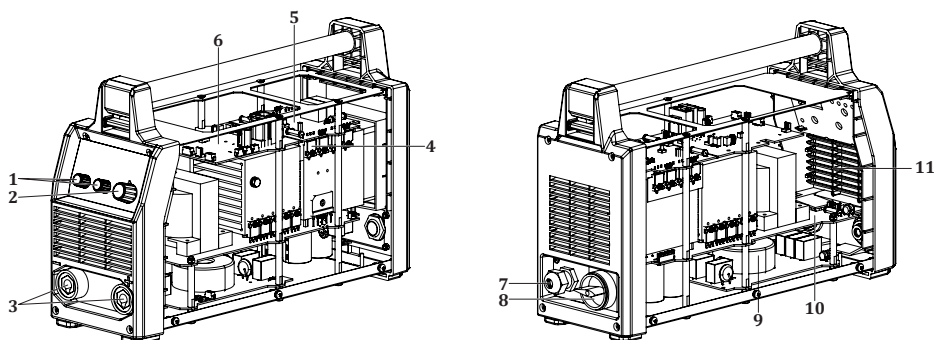
Code d'incident	Incident	Cause	Solution
E01	Protection Thermique (Primaire)	<ul style="list-style-type: none"> • Le temps de fonctionnement de votre poste a peut-être été dépassé 	<ul style="list-style-type: none"> • Laissez la poste refroidir en attendant un moment. Si le défaut disparaît, essayez de l'utiliser à des valeurs d'ampérage inférieures • Si le problème persiste, contactez le service agréé
		<ul style="list-style-type: none"> • Le ventilateur peut ne pas fonctionner 	<ul style="list-style-type: none"> • Vérifiez visuellement si le ventilateur fonctionne ou non • Si le problème persiste, contactez le service agréé
		<ul style="list-style-type: none"> • Avant des conduits d'entrée-sortie d'air peut être fermé 	<ul style="list-style-type: none"> • Ouvrez les conduits d'aération • Si le problème persiste, contactez le service agréé
		<ul style="list-style-type: none"> • L'environnement de travail de la poste peut être extrêmement chaud ou étouffant 	<ul style="list-style-type: none"> • Assurez-vous que l'environnement de travail de la poste n'est pas excessivement chaud ou étouffant • Si le problème persiste, contactez le service agréé
E02	Tension Secteur Basse	<ul style="list-style-type: none"> • La tension secteur peut avoir chuté 	<ul style="list-style-type: none"> • Vérifiez les câbles de raccordement à l'alimentation et la tension. Assurez-vous que la tension d'entrée correcte est fournie. Si la tension d'alimentation est normale, contactez le service agréé

Code d'incident	Incident	Cause	Solution
E03	Tension Secteur Élevée	<ul style="list-style-type: none"> La tension secteur peut avoir augmenté 	<ul style="list-style-type: none"> Vérifiez les câbles de raccordement à l'alimentation et la tension. Assurez-vous que la tension d'entrée correcte est fournie. Si la tension d'alimentation est normale, contactez le service agréé.
E04	Erreur de Lecture de Courant / Tension	<ul style="list-style-type: none"> Il peut y avoir une erreur d'équipement 	<ul style="list-style-type: none"> Contactez le service agréé
E05	Erreur de Lecture du Capteur de Température	<ul style="list-style-type: none"> Il peut y avoir une erreur d'équipement 	<ul style="list-style-type: none"> Contactez le service agréé
E06	Erreur de L'unité de Refroidissement Par Eau	<ul style="list-style-type: none"> Il peut y avoir une erreur dans l'unité de refroidissement par eau 	<ul style="list-style-type: none"> Vérifier le connecteur du groupe de refroidissement par eau et les entrées/sorties de la torche Assurez-vous que la circulation d'eau est assurée Si le problème persiste, contactez le service agréé
E07	Erreur Système	<ul style="list-style-type: none"> Il peut y avoir une erreur d'équipement 	<ul style="list-style-type: none"> Contactez le service agréé
E08			
E09			
E10	Erreur de Connexion de La Torche	<ul style="list-style-type: none"> La torche et les connexions de la torche peuvent être défectueuses 	<ul style="list-style-type: none"> Vérifier la torche et les connexions de la torche Si le problème persiste, contactez le service agréé
E11	Erreur Système	<ul style="list-style-type: none"> Il peut y avoir une erreur d'équipement 	<ul style="list-style-type: none"> Contactez le service agréé
E12			
E13	Erreur de Dévidage	<ul style="list-style-type: none"> Il peut y avoir une erreur dans le dévidage 	<ul style="list-style-type: none"> Vérifier les connexions du dévidoir, de la bobine/pression à bobine et de la torche Si le problème persiste, contactez le service agréé
E14	Erreur Système	<ul style="list-style-type: none"> Il peut y avoir une erreur d'équipement 	<ul style="list-style-type: none"> Contactez le service agréé
E15	Erreur de Communication de La Télécommande	<ul style="list-style-type: none"> Il peut y avoir une erreur dans les connexions de la télécommande 	<ul style="list-style-type: none"> Vérifiez les connexions de la télécommande Si le problème persiste, contactez le service agréé
E16	Erreur Système	<ul style="list-style-type: none"> Il peut y avoir une erreur d'équipement 	<ul style="list-style-type: none"> Contactez le service agréé
E17			
E18			
E19	Protection Thermique (Secondaire)	<ul style="list-style-type: none"> Le temps de fonctionnement de votre poste a peut-être été dépassé 	<ul style="list-style-type: none"> Laissez la poste refroidir en attendant un moment. Si le défaut disparaît, essayez de l'utiliser à des valeurs d'ampérage inférieures Si le problème persiste, contactez le service agréé
		<ul style="list-style-type: none"> Le ventilateur ne fonctionne peut-être pas 	<ul style="list-style-type: none"> Vérifiez visuellement si le ventilateur fonctionne ou non Si le problème persiste, contactez le service agréé

Code d'incident	Incident	Cause	Solution
E19	Protection Thermique (Secondaire)	<ul style="list-style-type: none"> • L'avant de l'entrée d'air - les canaux de sortie peuvent être bloqués • L'environnement de travail de la poste peut être extrêmement chaud ou étouffant 	<ul style="list-style-type: none"> • Ouvrez les conduits d'aération • Si le problème persiste, contactez le service agréé • Assurez-vous que l'environnement de travail de la poste n'est pas excessivement chaud ou étouffant • Si le problème persiste, contactez le service agréé
E20	Erreur Système	<ul style="list-style-type: none"> • Il peut y avoir une erreur d'équipement 	<ul style="list-style-type: none"> • Contactez le service agréé
E21			
E22			
E23			
E26	Pression d'admission basse	<ul style="list-style-type: none"> • La pression d'entrée peut être faible 	<ul style="list-style-type: none"> • Vérifiez vos connexions air/gaz, assurez-vous que la pression d'entrée est appropriée, si la pression d'entrée est normale, contactez le service agréé
E27	Protection de Torche Non Installé	<ul style="list-style-type: none"> • La protection de torche ne doit pas être installé ou bien branché 	<ul style="list-style-type: none"> • Assurez-vous que la protection de la torche est correctement installée • Si le problème persiste, contactez le service agréé
E28	Erreur Système	<ul style="list-style-type: none"> • Il peut y avoir une erreur d'équipement 	<ul style="list-style-type: none"> • Contactez le service agréé
E29	Tension du Bus DC Faible	<ul style="list-style-type: none"> • La tension d'alimentation peut être faible 	<ul style="list-style-type: none"> • Vérifiez les câbles de raccordement à l'alimentation et la tension. Assurez-vous que la tension d'entrée correcte est fournie. Si la tension secteur est normale, contactez le service agréé
E30	Tension du Bus DC Élevée	<ul style="list-style-type: none"> • La tension secteur peut être élevé 	<ul style="list-style-type: none"> • Vérifiez les câbles de raccordement au secteur et la tension. Assurez-vous que la tension d'entrée correcte est fournie. Si la tension secteur est normale, contactez le service agréé
E31	Erreur Système	<ul style="list-style-type: none"> • Il peut y avoir une erreur d'équipement 	<ul style="list-style-type: none"> • Contactez le service agréé

ANNEXE

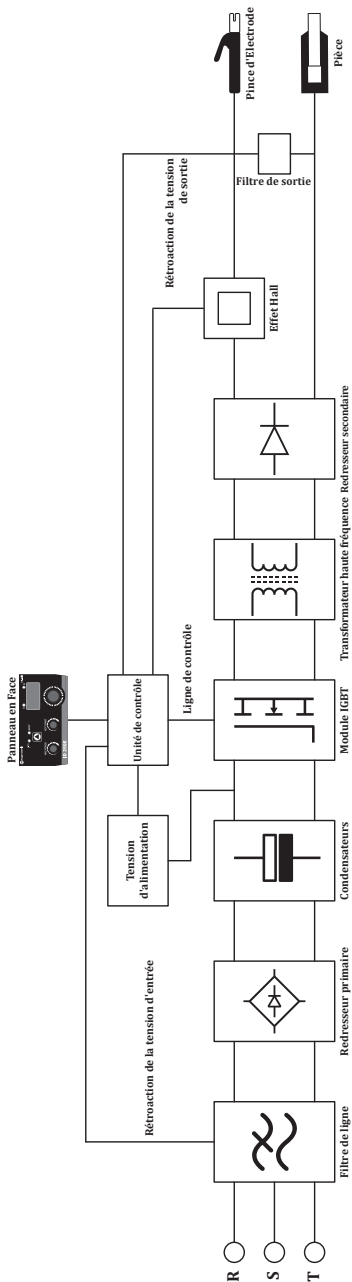
5.1 Listes des Pièces Détachées



N°	DESCRIPTION	ID 250E
1	Bouton d'alimentation	A229500004
2	Bouton d'alimentation - petit	A229500001
3	Prise de soudage	A377900104
4	Carte électronique E240A-2 V1.0	K405000342
5	Carte électronique E240A-4 V1.0	K405000344
6	Carte électronique E240A-3 V1.0	Y504000042
7	Commutateur Pacco	A308000017
8	Manche en plastique	A376400016
9	Carte électronique E240A-5 V1.0	K405000346
10	Carte électronique E240A-1 V1.0	K405000341
11	Carte électronique E223D DISP	Y504000043

5.2 Schémas de connexion

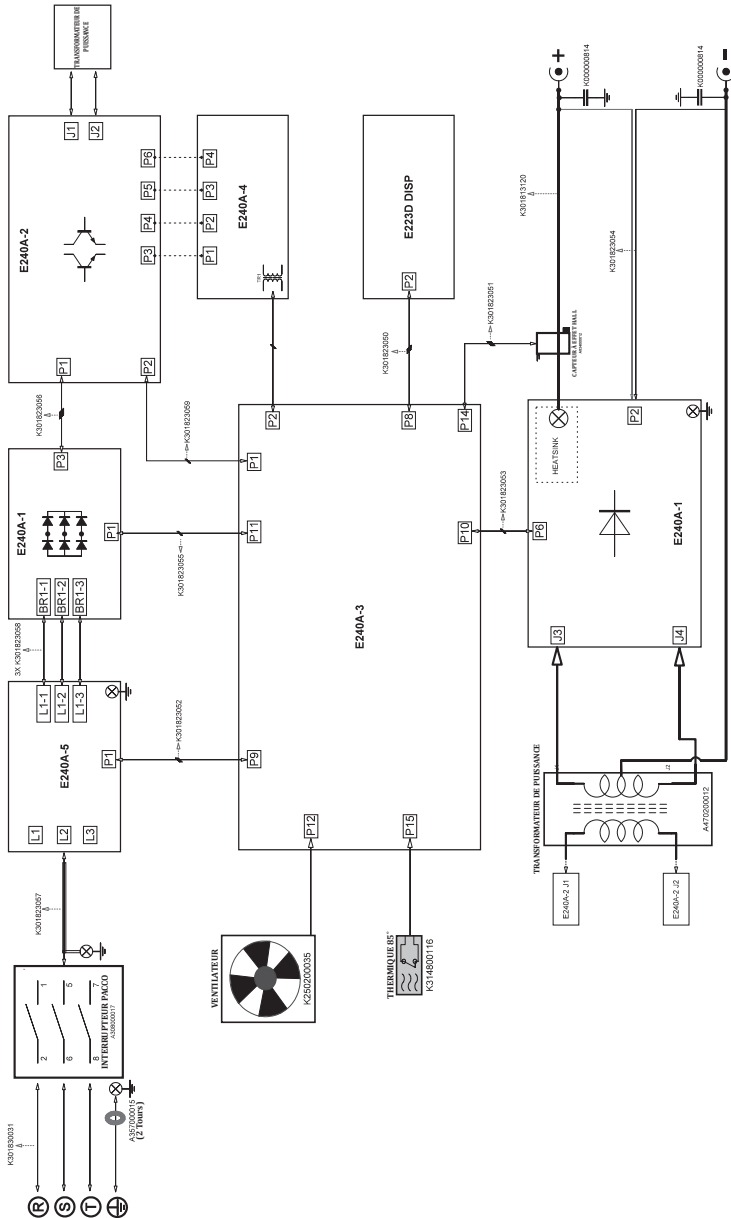
Diagramme



FR

Schémas de circuits

FR



INFORMATION PRODUIT

Modèle

Numéro de série

FABRICANT

Nom

MAGMA MEKATRONİK MAKİNE SANAYİ VE TİCARET A.Ş.

Adresse

Organize Sanayi Bölgesi 5. Kısım MANİSA

Téléphone / Courriel

+90 236 226 27 00 / info@magmaweld.com

INFORMATIONS D'ACHAT

Nom du revendeur

Ville / Pays

Téléphone / Courriel

Date d'achat

INFORMATIONS CLIENT

Nom de l'entreprise

Ville / Pays

Téléphone / Courriel

Nom du contact

INFORMATIONS SUR LA MISE EN ROUTE (le cas échéant)Nom de l'entreprise de la
mise en route

Nom du technicien

Date de la mise en route
(Date de début de garantie)

Veuillez visiter notre site web www.magmaweld.fr/conditions-de-garantie/wt
pour les conditions de garantie.

 **СОДЕРЖАНИЕ**

ПРАВИЛА ТЕХНИКИ БЕЗОПАСНОСТИ	54
1 ТЕХНИЧЕСКАЯ ИНФОРМАЦИЯ	
1.1 Общее описание	61
1.2 Комплектующие сварочного аппарата	61
1.3 Этикетка продукта	62
1.4 Технические характеристики	63
1.5 Вспомогательные устройства и приспособления	63
2 ИНФОРМАЦИЯ ПО УСТАНОВКЕ И НАСТРОЙКЕ	
2.1 Контроль доставки	64
2.2 Рекомендации по установке и эксплуатации	64
2.3 Подключение к розетке питания	65
2.4 Подсоединение к сети	65
2.5 Соединения для сварки MMA	65
2.6 Соединения для сварки TIG	66
3 ИНФОРМАЦИЯ ПО ЭКСПЛУАТАЦИИ	
3.1 Интерфейс пользователя	67
4 ТЕХОБСЛУЖИВАНИЕ И УСТРАНЕНИЕ НЕИСПРАВНОСТЕЙ	
4.1 Техобслуживание	69
4.2 Поиск проблемы	70
4.3 Коды неисправностей	71
5 ПРИЛОЖЕНИЯ	
5.1 Список запасных частей	74
5.2 Схемы подключения	75

ПРАВИЛА ТЕХНИКИ БЕЗОПАСНОСТИ

Соблюдайте все правила техники безопасности, указанные в этом руководстве!

Описание сведений по технике безопасности



- Знаки по технике безопасности, указанные в руководстве, используются для определения потенциальных источников опасности.
- При размещении какого-либо знака по технике безопасности в этом руководстве его следует понимать как указание на наличие риска телесных повреждений и во избежание потенциальной опасности внимательно ознакомиться с предоставленными далее пояснениями.
- Владелец оборудования несёт ответственность за предотвращение доступа посторонних лиц к оборудованию.
- Лица, осуществляющие эксплуатацию оборудования, должны иметь опыт или пройти полную подготовку по вопросу выполнения сварочных сварка / резка; перед работой на оборудовании ознакомьтесь с руководством по эксплуатации и соблюдайте инструкции по технике безопасности.

Описание знаков по технике безопасности

ВНИМАНИЕ



Указывает на потенциально опасную ситуацию, которая может привести к травме или повреждению. Несоблюдение этой меры предосторожности может привести к травме или потере/повреждению имущества.



ВАЖНО

Указывает на информацию и предупреждения, касающиеся эксплуатации.



ОПАСНОСТЬ

Указывает на серьёзную опасность. В случае непринятия мер может привести к смерти или серьёзным травмам.

Понимание предупреждений по технике безопасности



- Внимательно прочитайте руководство по эксплуатации, а также ознакомьтесь с маркировкой (ярлыком) и предупреждениями по технике безопасности, размещёнными на оборудовании.
- Убедитесь, что предупреждающая маркировка находится в надлежащем состоянии. Замените отсутствующие и повреждённые ярлыки.
- Ознакомьтесь со способом эксплуатации оборудования и правильными методами управления оборудованием.
- Осуществляйте эксплуатацию вашего оборудования в соответствующей одежде.
- Несоответствующие изменения, проводимые на вашем оборудовании, негативно скажутся на безопасной эксплуатации и сроке службы оборудования.
- Производитель не несёт ответственности за какие-либо последствия, возникающие в результате эксплуатации устройства за пределами вышеуказанных условий.

Поражение электротоком может привести к летальному исходу



Убедитесь, что процедуры установки соответствуют национальным электрическим стандартам и иным соответствующим нормам, а также обеспечьте установку оборудования компетентными лицами.

- Пользуйтесь сухими и неповреждёнными изолированными перчатками и рабочим фартуком. Запрещается использовать мокрые или повреждённые перчатки и рабочие фартуки.
- Носите огнестойкую защитную одежду, чтобы избежать ожогов. Одежда, используемая оператором, должна защищать от искр, брызг и излучения дуги.
- Не работайте в одиночку. В случае опасности убедитесь, что у вас есть помощник на рабочем месте.
- Не касайтесь электрода голыми руками. Не допускайте контакта держателя электрода или электрода с другими людьми или заземлёнными предметами.
- Никогда не прикасайтесь к частям, которые разносят электричество.
- Не прикасайтесь к электроду при контакте с электродом, подключённым к рабочей поверхности, полу или другому оборудованию.

- Вы можете защитить себя от возможных поражений электрическим током, изолировав себя от рабочей поверхности и пола. Используйте сухой, неповрежденный, невоспламеняющийся электроизоляционный материал таких размеров, чтобы он был пригодным для предотвращения контакта оператора с рабочей поверхностью.
- Не подключайте более одного электрода к держателю электрода.
- Подсоедините зажим заземления к заготовке или рабочему столу как можно ближе, чтобы обеспечить хороший контакт металла с металлом.
- Проверьте горелку перед работой со сварочным аппаратом. Убедитесь, что горелка и его кабели в хорошем состоянии. Обязательно замените поврежденную изношенную горелку.
- Не касайтесь держателей электродов, подключенных к двум сварочным аппаратам одновременно, так как будет присутствовать двойное напряжение холостого хода.
- Держите аппарат выключенным и отсоедините кабели, когда она не используется.
- Перед ремонтом машины отключите все электрические соединения и / или разъемы или выключите машину.
- Будьте осторожны при использовании длинного сетевого кабеля.
- Убедитесь, что все соединения чистые и сухие.
- Следите за тем, чтобы кабели были сухими, чистыми и обезжиренными, а также защищенными от горячего металла и искр.
- Оголенная проводка может убить. Часто проверяйте все кабели на предмет возможных повреждений. Если обнаружен поврежденный или неизолированный кабель, немедленно отремонтируйте или замените его.
- Если зажим заземления не подключен к заготовке, изолируйте его, чтобы предотвратить контакт с любым металлическим предметом.
- Убедитесь, что заземление линии питания подключено правильно.
- Не используйте источник переменного тока во влажных, сырых или перегруженных местах, а также в местах, где существует опасность падения.
- Используйте источник переменного тока ТОЛЬКО, если это необходимо для процесса сварки.
- Если требуется источник переменного тока, используйте дистанционное управление источником, если оно имеется на устройстве.

Дополнительные меры предосторожности требуются при наличии любого из следующих электрически опасных условий:

- во влажных местах или в мокрой одежде,
- на металлических конструкциях, таких как полы, решетки или строительные леса,
- когда вы находитесь в стесненном положении, например, сидя, на коленях или лежа,
- когда существует высокий риск неизбежного или случайного контакта с заготовкой или землей.

Для этих условий используйте следующее оборудование:

- Полуавтоматический аппарат для сварки MIG постоянного напряжения (CV),
- Ручной сварочный аппарат MMA постоянного тока,
- Сварочный аппарат постоянного или переменного тока с пониженным напряжением холостого хода (VRD), если имеется.

Процедуры при поражении электрическим током



- Отключите электричество.
- Используйте непроводящий материал, например сухую древесину, чтобы освободить пострадавшего от контакта с токоведущими частями или проводами.

Если у вас есть обучение оказанию первой помощи;

- Если пострадавший не дышит, проведите сердечно-легочную реанимацию (СЛР) сразу после разрыва контакта с источником электричества. Продолжайте СЛР (массаж сердца) до тех пор, пока не начнется дыхание или пока не прибудет помощь.
- Если имеется автоматический электронный дефибриллятор (AED), используйте его в соответствии с инструкциями.
- Относитесь к электрическому ожогу как к термическому ожогу, прикладывая стерильные холодные (ледяные) компрессы. Избегайте загрязнения и накройте чистой сухой повязкой.

Движущиеся части могут привести к телесным повреждениям



- Не приближайтесь к движущимся объектам.
- Закрывайте и запирайте все крышки, панели, дверцы и т.п. защитные приспособления оборудования и устройств.
- Носите ботинки с металлическим носком на случай падения тяжелых предметов.

Дым и газы могут нанести вред вашему здоровью



Во время выполнения сварки / резки и резки чрезвычайно опасно вдыхать дым и газ в течение длительного времени.

- Жжение и раздражение глаз, носа и горла указывают на недостаточность вентиляции. В этом случае необходимо незамедлительно улучшить уровень вентиляции и, если проблема не устранена, остановить сварку / резку.
- Предусмотрите на рабочем участке систему естественной или искусственной вентиляции.
- На участках выполнения сварки / резки или резки используйте соответствующую систему удаления дыма. При необходимости установите систему, которая обеспечит вывод дыма и газов, накапливающихся в цехе в целом. Во избежание загрязнения окружающей среды во время выброса газов используйте соответствующую систему фильтрации.
- При проведении работ в ограниченном пространстве или при выполнении сварки / резки материалов с покрытием из свинца, бериллия, кадмия, цинка, а также окрашенных материалов, помимо вышеуказанных мер предосторожности, используйте маски, обеспечивающие подачу свежего воздуха.
- Если газовые баллоны сгруппированы в отдельной зоне убедитесь в наличии хорошей вентиляции в этом помещении; закрывайте главные клапаны по окончании использования газовых баллонов, проверяйте баллоны на предмет утечки газа.
- Защитные газы (аргон и т.п.) плотнее воздуха и при использовании в помещении могут попадать в дыхательные пути вместо воздуха. Это опасно для вашего здоровья.
- Не проводите сварочные работы при наличии паров хлорированных углеводородов, выделяющихся во время смазочных и покрасочных работ.
- Некоторые сварные / вырезанные детали требуют специальной вентиляции. Следует внимательно прочитать правила безопасности продуктов, требующих специальной вентиляции. В случаях, когда требуется противогаз, следует надеть подходящий противогаз.

Излучение сварочной дуги может нанести вред вашим глазам



- Для защиты глаз и лица используйте соответствующую защитную маску и пригодный для маски стеклянный фильтр.
- Защищайте от этого излучения также другие части тела (руки, шею, уши и т.д.) соответствующей защитной одеждой.
- Для предупреждения возникновения у окружающих повреждений от воздействия сварочной дуги и горячих металлов, оградите ваш рабочий участок огнестойкими экранами высотой на уровне глаз и повесьте предупреждающие знаки.
- Оборудование не предназначено для нагревания замёрзших труб. Проведение таких работ сварочным аппаратом может привести к взрыву, пожару или повреждению вашего оборудования.

Искры и разбрызгивающиеся частицы могут нанести повреждения глазам



- При выполнении таких работ, как сварка, шлифовка или зачистка поверхности, могут образоваться искры и происходить разбрызгивание металлических частиц. Для предупреждения телесных повреждений надевайте под маску утверждённые к применению защитные рабочие очки с боковыми щитками.

Горячие детали могут привести к тяжёлым ожогам



- Не прикасайтесь к горячим деталям голыми руками.
- Перед работой с деталями оборудования подождите некоторое время, пока они остынут.
- При необходимости контакта с горячими деталями, используйте соответствующие инструменты, теплоизоляционные сварочные перчатки и огнеупорную одежду.

Повышенный Уровень Шума Может Нанести Вред Слуху



- Шум, выделяемый некоторым оборудованием и работами, может нанести вред слуху.
- При повышенном уровне шума используйте утверждённые к применению защитные наушники.

Сварочная проволока может нанести телесные повреждения



- При разматывании катушки сварочной проволоки не направляйте горелку на какую-либо часть тела, а также на других людей или какие-либо металлические предметы.
- При разматывании вручную катушки сварочной проволоки, особенно, небольшого диаметра, проволока может выскочить из ваших рук, как пружина, и травмировать вас или окружающих, поэтому при выполнении этих работ особое внимание уделите защите глаз и лица.

Сварка может привести к пожарам и взрывам



- Запрещается производить сварку вблизи легковоспламеняющихся материалов. Это может привести к пожару или взрыву.
- Перед проведением сварочных работ удалите эти предметы с участка или накройте их защитными покрытиями для предупреждения возгораний.
- На этих участках применяются специальные национальные и международные правила.

- Не производите сварку и резку полностью закрытых труб или трубок.
- Перед выполнением сварка / резка труб и закрытых емкостей откройте их, полностью опорожните, проветрите и очистите. Соблюдайте максимальную осторожность при выполнении сварка / резка на таких участках.
- Не производите сварку опорожнённых труб и трубок, которые ранее содержали вещества, способные вызвать взрыв, пожар или другие реакции.
- Сварочное оборудование имеет свойство нагреваться. Поэтому не размещайте его на легко воспламеняемых или легко повреждаемых поверхностях!

- Сварочные искры могут привести к возникновению пожара. По этой причине обеспечьте наличие в легко доступных для вас местах таких материалов, как огнетушители, вода и песок.
- Используйте обратные клапаны, газовые регуляторы и клапаны в сетях горючих, взрывоопасных газов и сжатого газа.

Выполнение технического обслуживания оборудования устройств некомпетентными лицами может привести к телесным повреждениям



- Запрещается привлекать некомпетентных лиц к ремонту оборудования. Ошибки, которые могут быть допущены при нарушении этого требования, могут привести к серьёзным травмам или летальному исходу.
- Элементы газовой сети работают под давлением; в результате манипуляций, производимых некомпетентными лицами, могут возникнуть взрывы, и пользователи могут получить серьёзные травмы.
- Рекомендуется производить обслуживание оборудования и его периферийных устройств не реже одного раза в год.

Сварка / Резка на небольших участках и участках с ограниченным пространством



- Выполняйте сварку/резку на небольших участках и участках с ограниченным пространством в присутствии ещё одного человека.
- По мере возможности избегайте проведения сварочных работ/резки в ограниченных пространствах.

Несоблюдение необходимых мер предосторожности при перемещении оборудования может привести к несчастным случаям



- При перемещении оборудования соблюдайте все необходимые меры предосторожности. Участки, на которых будет производиться перемещение, части, подлежащие перемещению, а также физическое состояние и здоровье людей, вовлечённых в процесс перемещении оборудования, должны соответствовать требованиям процедуры перемещения и транспортировки.
- Некоторое оборудование имеет большую массу, поэтому при перемещении убедитесь в принятии всех мер предосторожности по охране окружающей среды.
- Если сварочный аппарат предполагается использовать на платформе, необходимо убедиться в том, что такая платформа имеет соответствующие пределы нагрузки.
- При перемещении оборудования при помощи какого-либо механизма (тележка, вилочный погрузчик и пр.) убедитесь в надлежащем состоянии точек крепления механизма и оборудования (крепление подвесок, ремней для перемещения, болтов, гаек, колёс и т.п.).
- При выполнении перемещения вручную убедитесь в надлежащем состоянии приспособлений оборудования (подвески, ремни для перемещения и т.п.) и их креплений.

- С целью обеспечения необходимых требований для перемещения соблюдайте правила Международной организации труда в отношении веса перемещаемого оборудования, а также нормативы по перемещению оборудования, действующее в вашей стране.
- При перемещении источника питания используйте специальные приспособления (держатели или проушины). Запрещается перемещать оборудование, удерживая его за горелку, кабель или шланги. Перемещение газовых баллонов осуществляйте отдельно от всего оборудования.
- Перед перемещением сварочного и режущего оборудования демонтируйте все промежуточные соединения, осуществляйте поднятие и перемещение небольших частей посредством ручек, а более крупных частей с помощью соответствующих приспособлений (проушины) или вилочных погрузчиков.

Падение частей оборудования может привести к телесным повреждениям



Неправильное расположение источника питания или иного оборудования может привести к серьёзным травмам и повреждению имущества.

- Во избежание падений и опрокидывания вашего оборудование его необходимо разместить на основании (полу) или платформе с максимальным уклоном 10°. Это предупредит воспрепятствование подаче материала и риск застопоривания в кабелях и шлангах; предпочитайте для установки оборудования неподвижные широкие, не запылённые, легко вентилируемые участки. Во избежание опрокидывания газовых баллонов закрепите их, при наличии, на пригодной для баллонов платформе, находящейся на оборудовании, а при стационарном использовании, зафиксируйте баллон надёжным способом, прикрепив его к стене.
- Обеспечьте операторам лёгкий доступ к настройкам и подключениям на оборудовании.

Чрезмерная эксплуатация приводит к перегреву оборудования



- Обеспечьте остывание оборудования в соответствии с рабочим циклом.
- Перед повторным началом сварочных работ уменьшите коэффициент тока или загрузку рабочего цикла.
- Не закрывайте вентиляционные отверстия оборудования.
- Не устанавливайте фильтры в вентиляционные отверстия оборудования без разрешения производителя.

Дуговая сварка может вызвать электромагнитные помехи



- Данное устройство относится к группе 2, класс А в испытаниях электромагнитной совместимости (ЭМС) в соответствии со стандартом TS EN 55011.
- Данное устройства класса А не предназначено для эксплуатации в жилых помещениях с подачей электроэнергии от низковольтной сети. Возможны затруднения в достижении электромагнитной совместимости в связи с радиочастотными помехами, передача и распространение которых имеют место на таких участках.



Это устройство не соответствует стандарту IEC61000-3-12. При необходимости подключения к низковольтной сети, используемой в бытовых условиях, специалист, который будет осуществлять электрическое подключение, или лицо, которое будет эксплуатировать оборудование, должны быть осведомлены в вопросе особенности подключения оборудования, в этом случае пользователь несёт ответственность за проведение таких работ.

- Убедитесь, что рабочая зона соответствует электромагнитной совместимости (ЭМС). Электромагнитные помехи во время сварка / резка или резки могут вызвать нежелательные воздействия на ваши электронные устройства в вашей сети, и пользователь несёт ответственность за какие-либо помехи, которые могут возникнуть во время проведения работ.
- При возникновении каких-либо помех, могут быть приняты дополнительные меры для обеспечения совместимости в виде использования коротких кабелей, экранированных кабелей, перемещения сварочного аппарата в другое место, отдаления кабеля от оборудования и/или участка, попавшего под воздействие использования фильтров или защиты рабочего участка в аспекте ЭМС.
- Во избежание возможных повреждений в связи с нарушением ЭМС выполняйте сварочные работы как можно дальше (100м) от вашего чувствительного электронного оборудования.
- Убедитесь в установке и размещении вашего сварочного аппарата или газового резака в соответствии с руководством по эксплуатации.

**Оценка
электромагнитной
совместимости
рабочего
участка**



Согласно пункту 5.2 стандарта IEC 60974-9,

Перед установкой сварочного и режущего оборудования уполномоченное лицо предприятия и/ или пользователь должны произвести осмотр участка на предмет возможных электромагнитных помех на прилегающей территории. Необходимо обратить внимание на следующие вопросы:

- a) наличие других кабелей питания, кабелей управления, сигнальных и телефонных кабелей сверху, снизу и рядом со сварочным аппаратом и оборудованием;
- b) наличие радио- и телевизионных передатчиков и приемников;
- c) наличие компьютерного и иного оборудования, используемого для управления;
- d) наличие критического оборудования для обеспечения безопасности, например для защиты промышленного оборудования;
- e) наличие медицинских аппаратов (например, кардиостимуляторов и слуховых аппаратов), используемых населением на прилегающей территории;
- f) наличие оборудования, используемого для измерения или калибровки;
- g) невосприимчивость иного оборудования, находящегося на прилегающей территории. Пользователь должен убедиться, что иное оборудование, используемое на прилегающей территории, является совместимым. Это может потребовать дополнительных мер защиты;
- h) Границы рассматриваемого участка могут быть расширены в соответствии с размерами прилегающей территории, конструкцией зданий и иными работами, выполняемыми в здании, с учётом времени, в течение которого предполагается производить сварочные или иные работы в течение дня.

В дополнение к оценке участка также может потребоваться оценка мест установки устройств с целью устранения нарушающего совместимость воздействия. При необходимости, для подтверждения эффективности мер по снижению воздействия также можно провести измерения на месте. (Источник: МЭК 60974-9).

**Методы снижения
помех**



- Устройство должно быть подключено к источнику питания компетентным специалистом в соответствии с рекомендациями. При возникновении помех могут применяться дополнительные меры, такие как фильтрация сети. Электропитание оборудования для дуговой сварка / резка с фиксированным креплением должно осуществляться при помощи кабеля, проложенного через металлическую трубу или эквивалентного экранированного кабеля. Необходимо подключить экран и корпус источника питания, и между этими двумя конструкциями должен быть обеспечен хороший электрический контакт.
- Необходимо выполнять рекомендуемое плановое обслуживание устройства. При эксплуатации устройства должны быть закрыты и/или заперты все крышки корпуса оборудования. Без письменного разрешения производителя в устройство запрещается вносить какие-либо изменения или модификации, отличные от стандартных настроек. В противном случае вся ответственность за какие-либо последствия возлагается на пользователя.
- Сварочные кабели должны быть максимально короткими. Кабели должны выходить из пола рабочего участка бок о бок. Наматывание сварочных кабелей запрещено.
- Во время сварки / резки в оборудовании генерируется магнитное поле. Это может привести к притяжению оборудования металлическими предметами.
Для предотвращения этого убедитесь в размещении металлических материалов на безопасном расстоянии или в надёжной фиксации таких материалов. Оператор должен быть изолирован от всех таких взаимосвязанных металлических материалов.
- В случае отсутствия заземления обрабатываемого объекта или изделия, по соображениям электрической безопасности или в связи с его габаритными размерами и положением (например, при изготовлении корпуса судна или стальной конструкции), подключение между обрабатываемым объектом или изделием и землёй в некоторых случаях может снизить выбросы, и необходимо помнить, что заземление обрабатываемого объекта или изделия может привести к телесным повреждениям пользователя или неисправностям иного электрического оборудования, находящегося на прилегающей территории. При необходимости, заземление обрабатываемого объекта или изделия может быть выполнено прямым способом, но в некоторых странах, в которых прямое заземление запрещено, подключение может быть создано при помощи соответствующих элементов ёмкости в соответствии с местными нормами и правилами.
- Экранирование и защита других устройств и кабелей на рабочем участке может предотвратить возникновение воздействий, нарушающих совместимость. Для некоторых случаев может рассматриваться полное экранирование участка сварки / резки.

**Дуговая сварка
может создавать
электромагнитное
поле (ЭМП)**



Электрический ток, проходящий через какой-либо проводник, создаёт локальные электрические и магнитные поля (ЭМП). Все сварщики должны применять следующие процедуры с целью минимизации риска воздействия ЭМП от сварочной цепи:

- Для уменьшения магнитного поля сварочные кабели должны быть объединены и как можно более надёжно закреплены с помощью крепёжных материалов (ленты, кабельные стяжки и т.п.).
- Тело и голова сварщика/рабочего должны находиться как можно дальше от сварочного аппарата и кабелей.
- Сварочные и электрические кабели ни в коем случае нельзя наматывать на корпус аппарата.
- Тело сварщика не должно находиться между сварочными кабелями. Оба сварочных кабеля должны находиться вдали от тела сварщика, рядом друг с другом.
- Обратный кабель должен быть подключён к обрабатываемому объекту или изделию максимально близко к участку сварки / резки.
- Запрещается опираться, садиться на источник питания сварочного аппарата, а также работать в непосредственной близости к нему.
- Запрещается производить сварки / резки во время перемещения устройства подачи сварочной проволоки или источника питания сварочного аппарата.

ЭМП также может нарушать работу медицинских имплантатов (кардиостимуляторы и т.п.). В виду этого для людей с медицинскими имплантатами должны быть приняты отдельные меры предосторожности. Например, введение ограничений на доступ для пересекающих дорогу людей, а также оценка индивидуальных рисков для сварщиков. Оценка рисков и выдача рекомендаций для пользователей с медицинскими имплантатами должна выполняться медицинским работником.

Защита



- Не подвергайте оборудование воздействию дождя, избегайте попадания на оборудование брызг воды или пара под давлением.

Энергоэффективность



- Выберите метод сварки / резки и сварочный аппарат, соответствующий запланированным сварочным работам.
- Установите параметры сварочного тока и/или напряжения, соответствующие материалу, подлежащему сварки / резки, а также его толщине.
- При длительном простое сварочного оборудования выключите оборудование после его охлаждения вентилятором. Наше оборудование (наша продукция), оснащённое вентилятором с интеллектуальным управлением, отключается автоматически.

**Процедура утилизации
отходов**



- Это устройство не является бытовым мусором. Утилизация устройства должна осуществляться в рамках национального законодательства в соответствии с директивой Европейского Союза.
- Получите информацию об утилизации отходов вашего использованного оборудования у вашего дилера и компетентных лиц.

ФОРМА ГАРАНТИИ



Пожалуйста, посетите наш сайт www.magmaweld.ru/гарантийный-малон/wr для формы гарантии.

ТЕХНИЧЕСКАЯ ИНФОРМАЦИЯ

1.1 Общее описание

ID 250E — инверторный сварочный аппарат, работающий от 3-х фазного напряжения 400 В переменного тока, 50-60 Гц, имеет выход постоянного тока, легко транспортируется и может прожигать MMA толщиной до 5,0 мм. Он обеспечивает отличные характеристики дуги для всех электродов с рутиловым и основным покрытием. Машина охлаждается вентилятором и имеет тепловую защиту от перегрева.

RU

1.2 Комплектующие сварочного аппарата

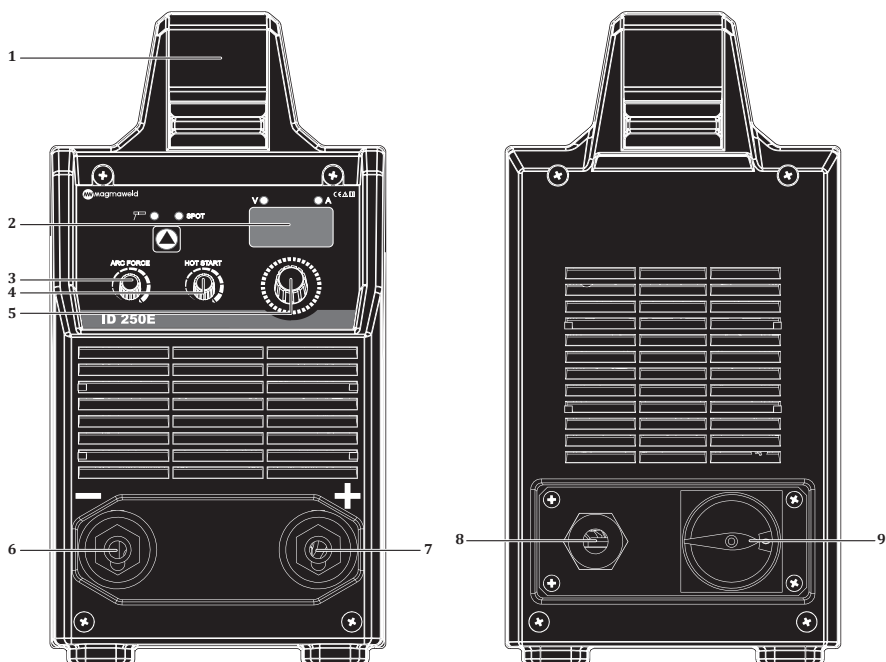


Рисунок 1 : ID 250E

- | | |
|--------------------------------|---|
| 1- Рукоятка | 6- Гнездо кабеля питания и заземления (-) |
| 2- Цифровой дисплей | 7- Гнездо кабеля источника и заземления (+) |
| 3- Потенциометр форсажа дуги | 8- Переключатель включения/выключения |
| 4- Потенциометр горячего пуска | 9- Ввод силового кабеля |
| 5- Регулятор тока | |

1.3 Этикетка продукта

MAGMA MEKATRONİK MAKİNE SAN. VE TİC. A.Ş.			
Organize Sanayi Bölgesi 5.Kısım Manisa-TÜRKİYE			
ID 250E		S/N:	
		EN 60974-1/-10 Cl. A	
		5A / 20.2V - 250A / 30V	
	$U_0=70V$	$X^{(40^\circ C)}$	35% 60% 100%
		I_2	250A 191A 148A
		U_2	30V 27.6V 25.9V
	$U_1=400V$	$I_{Tmax} = 18.5A$	$I_{100} = 11A$
IP23S	CE	EAC	UK CA

Трехфазный Трансформатор - Выпрямитель

X

Рабочий цикл



TIG - Сварка

 U_0

Напряжение работы без нагрузки



MMA - Сварка

 U_1

Напряжение и частота сети



Постоянный Ток

 U_2

Номинальное напряжение сварочного тока



вертикальный характеристика

 I_1

Номинальное потребление тока сети



Сетевой Вход-3-Фазный Переменный Ток

 I_2

Номинальный сварочный ток



Пригоден Для Работы В Опасных Условиях

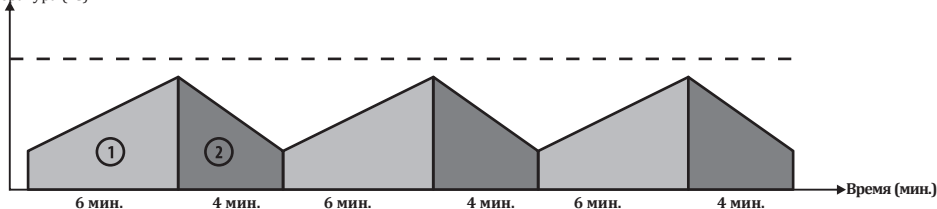
 S_1

Потребляемая мощность сети

IP21S

класс защиты

Рабочий цикл
Температура (°C)



Согласно стандарту EN 60974-1, продолжительность рабочего цикла включает период времени 10 минут. Например, если машина, указанная как 250A при% 60, должна работать при 250A, машина может выполнять сварку / резку без перерыва в первые 6 минут из 10-минутного периода (зона 1). Однако следующие Для охлаждения машины необходимо 4 минуты простоя (зона 2).

1.4 Технические характеристики

ТЕХНИЧЕСКИЕ ХАРАКТЕРИСТИКИ	Ед. изм.	ID 250E
Сетевое напряжение (1 фаза - 50-60 Гц)	В	400
Сила тока сети	кВА	12.7
Диапазон регулировки сварочного тока	А пост.тока	5 - 250
Номинальный сварочный ток	А пост.тока	250
Напряжение открытого контура сварки	В пост.тока	75
Диапазон диаметров сварочных электродов	мм	1.60 - 5.00
Размеры (ДхШхВ)	мм	491 x 160 x 311
Вес	кг	10.75
Класс защиты		IP 21S

1.5 Вспомогательные устройства и приспособления

СТАНДАРТНЫЕ АКСЕССУАРЫ	КОЛ-ВО	КОД ПРОДУКЦИИ
Клемма и кабель заземления	1	7905212503 (25 mm ² - 3 м)
Зажим электрода и кабель	1	7906202503 (25 mm ² - 3 м)
ДОПОЛНИТЕЛЬНЫЕ АКСЕССУАРЫ	КОЛ-ВО	КОД ПРОДУКЦИИ
Транспортная тележка	1	7900000600
Полка (4 вертикали)	1	7900000804
Полка (6 вертикали)	1	7900000807
Полка (9 вертикали)	1	7900000809
Горелка TIG Lava TIG 20 В (4 м)	1	7111020004
Горелка TIG Lava TIG 20 В (8 м)	1	7111020008

ИНФОРМАЦИЯ ПО УСТАНОВКЕ И НАСТРОЙКЕ

2.1 Контроль доставки

Убедитесь, что вместе со сварочным аппаратом доставлены все заказанные материалы. В случае отсутствия или повреждения какого-либо материала, немедленно свяжитесь с компанией, у которой был приобретен сварочный аппарат.

В стандартной коробке находятся:

- Основная машина и подключенный к ней сетевой кабель
- Гарантийный талон
- Заземляющие клещи и кабель
- Руководство пользователя
- Держатель электрода и кабель

В случае если во время получения аппарата будут выявлены повреждения, составьте протокол и сфотографируйте повреждения. Приложите протокол и фотографии к фотокопии накладной и известите транспортную компанию. В случае отсутствия ответа на ваше обращение в транспортную компанию, обратитесь в службу поддержки клиентов.

Символы и обозначения, установленные на сварочном аппарате



Процесс сварки представляет опасность для человека и окружающих предметов. Выполнение сварки должно осуществляться в соответствующих условиях с принятием необходимых мер безопасности. Ответственность за сохранность и исправность сварочного аппарата, обеспечение необходимого оснащения возлагается на специалистов. Предупредите нахождение посторонних людей вблизи сварочного аппарата.



Данный сварочный аппарат не соответствует стандарту IEC 61000-3-12. В случае если сварочный аппарат будет подключён к сети низкого напряжения, используемого для электроснабжения жилых помещений, пользователь несёт полную ответственность за обеспечение выполнения работ подключения электрических соединений сварочного аппарата электротехником или пользователем аппарата, имеющим знания и навыки по вопросам подключения сварочного аппарата.



Будьте внимательны и строго соблюдайте все символы и предупреждения безопасности, установленные на сварочном аппарате и указанные в Руководстве по эксплуатации. Запрещается удалять этикетки, установленные на сварочном аппарате.



Решётки предназначены для обеспечения вентиляции внутренних частей сварочного аппарата. С целью обеспечения хорошего охлаждения, запрещается закрывать доступ к открытым частям аппарата и размещать инородные предметы внутри корпуса устройства.

2.2 Рекомендации по установке и эксплуатации

- Для обеспечения хороших рабочих характеристик обеспечьте размещение сварочного аппарата не менее чем на 30 см от окружающих предметов. Предупреждайте чрезмерный нагрев, запыление и увлажнение среды, в которой выполняется эксплуатация сварочного аппарата.
- Не выполняйте эксплуатацию сварочного аппарата под прямыми солнечными лучами. При работе в среде с температурой воздуха выше 40°C, выполняйте работы на сварочном аппарате при более низком сварочном токе или при более низком уровне продолжительности включения.
- Избегайте выполнения сварочных работ вне помещений при ветре или дожде. Если необходимо выполнение сварочных работ при таких погодных условиях, обеспечьте защиту сварочной зоны и сварочного аппарата завесой или тентом. Если сварка выполняется внутри помещения, обеспечьте достаточную систему вытяжки сварочного дыма. При выполнении сварки в закрытых помещениях, в связи с риском вдыхания сварочного дыма и газов, используйте респираторные системы.
- Соблюдайте уровень продолжительности включения сварочного аппарата, указанного на заводской табличке устройства. Частое превышение времени работы под нагрузкой может стать причиной повреждения сварочного аппарата и аннулирования гарантийного срока.
- Используйте предохранитель с характеристиками, подходящими для вашей системы.
- Подключите заземляющий кабель по мере возможности ближе к зоне сварки.

- Не допускайте прохождение сварочного тока по оборудованию, за исключением сварочных кабелей.
- Во время работы сварочного аппарата не наматывайте сварочные кабели и сетевой кабель на корпус сварочного аппарата.

2.3 Подключение к розетке питания



Для вашей безопасности никогда не используйте сетевой кабель машины без вилки.

- Вилка не подключена к сетевому кабелю, так как на заводах, стройках и в мастерских могут быть разные розетки. Вилка подходит для приза, должен быть подключен квалифицированным электриком.
- Подключив вилку к кабелю, не вставляйте ее в розетку на данном этапе.

2.4 Подсоединение к сети



Убедитесь, что выключатель машины находится в положении «0», когда вставляете ее в розетку.

- Перед подключением машины к сети проверьте 3 фазы с помощью вольтметра. Убедившись, что каждая фаза имеет напряжение 400 В (± 40 В), вставьте вилку в розетку.
- Запустите машину с помощью выключателя Вкл/Выкл.
- Услышав шум вентилятора и увидев, что индикаторы вольтметра и амперметра горят, выключите машину, снова повернув ключ в положение «0».

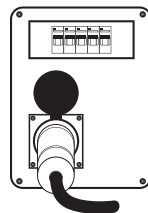
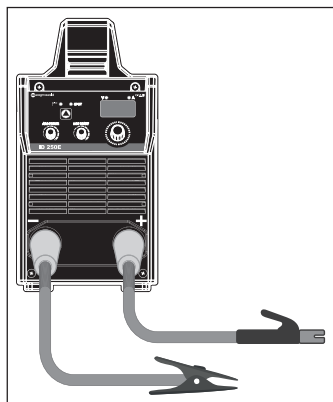


Рисунок 2 : Подсоединение к сети

2.5 Соединения для сварки MMA

- Затяните сварочный и заземляющий кабели в соответствии с используемым электродом и полюсами, рекомендованными производителем электрода, повернув их по часовой стрелке к гнездам сварочного и заземляющего кабелей.
- Закрепите зажим заземления на заготовке как можно ближе к зоне сварки.



Следующая таблица дана в качестве справочной информации по настройке силы тока для нелегированных сталей. Пожалуйста, следуйте рекомендациям производителя электродов.

Диаметр покрытого электрода (мм)	Рекомендуемый сварочный ток	
	Рутит	базовый
2.0	40-60 А	-
2.5	60-90 А	60-90 А
3.25	100-140 А	100-130 А
4.0	140-180 А	140-180 А
5.0	200-240 А	200-250 А

Рисунок 3 : Соединения для сварки MMA

2.6 Соединения для сварки TIG

- Используйте горелку для TIG-сварки с газовым клапаном.
- Вставьте штекер кабеля электропитания TIG-горелки в гнездо с отрицательным полюсом и штекер кабеля заземления в гнездо с положительным полюсом.
- Регулятор расхода газа подсоедините к газовому баллону с аргоном.
- Подсоедините газовый шланг горелки к регулятору расхода газа.
- Некоторое время держите клапан газового баллона открытым, чтобы удалить возможный осадок и частицы.

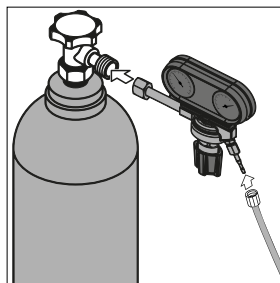


Рисунок 4 : Подключение газового баллона

В таблице ниже приведены приблизительные значения;

Диаметр электрода (мм)	Диаметр сопла (мм)	Сварочный ток (АЦП)	Расход газа (л/мин)
1.0	6.3	15 - 70	6 - 8
1.6	9.5	30 - 150	6 - 8

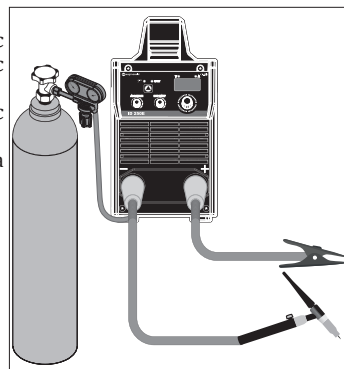
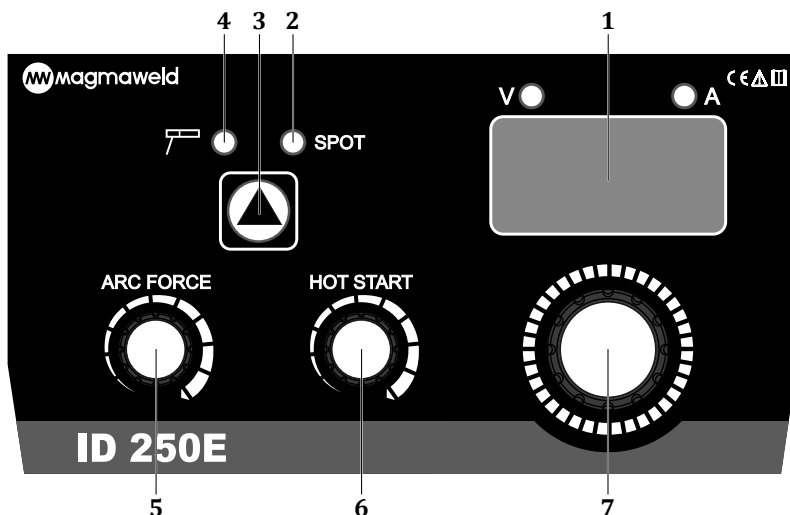


Рисунок 5 : Соединение для сварки TIG

ИНФОРМАЦИЯ ПО ЭКСПЛУАТАЦИИ

3.1 Интерфейс пользователя



1-) ЦИФРОВОЙ ДИСПЛЕЙ

- Можно контролировать сварочный ток, сварочное напряжение и другие параметры.

2-) РЕЖИМ ТОЧЕЧНОГО ИСТОЧНИКА

- Режим SPOT выбирается с помощью кнопки выбора режима сварки. При выборе этого режима загорается его светодиод.
- Разработан для пользователей, выполняющих короткие сварочные работы.
- Этот режим следует выбирать, когда требуется более короткая длина сварного шва.

3-) КНОПКА ВЫБОРА РЕЖИМА СВАРКИ

- MMA-используется для выбора одного из режимов источника SPOT. Нажав кнопку один раз, можно переключиться в режим другого источника. Какой бы режим ни был выбран, светодиод этого режима загорится.

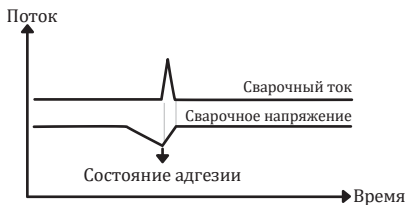
4-) РЕЖИМ MMA

- Режим MMA выбирается с помощью кнопки выбора режима сварки, при выборе этого режима загорается его светодиод.
- Режим MMA следует выбирать, когда требуется сварка рутитовым и основным электродом.

5-) КНОПКА ФОРСУНКА ДУГИ

Arg Force увеличивает сварочный ток и предотвращает прерывание дуги, используя сварочное напряжение в качестве эталона в случае, если свариваемый электрод склонен к прилипанию. Он регулируется в диапазоне от 0 до 100% с помощью потенциометра. Заданное значение не может превышать максимальный ток машины.

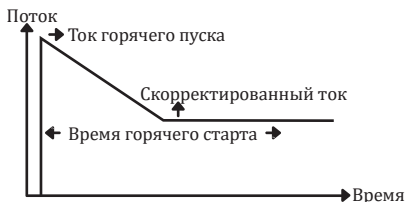
Например; Если основной ток равен 150 А, а Arg Force установлен на 100%, ток аппарата не может быть 300 А, максимальный ток аппарата будет 250 А.



6-) НАСТРОЙКА ГОРЯЧЕГО СТАРТА

В начале сварки электродом, когда требуется более легкое зажигание электрода, от 1 с до 2-кратного значения сварочного тока, установленного с помощью функции горячего старта. Везде подается сильный ток. В первый момент сварки к основному току добавляется отрегулированное значение «Горячий старт» в процентах от основного тока. Заданное значение не может превышать максимальный ток машины.

Например; Если основной ток 150 А и Горячий старт установлен на 100%, ток автомата не может быть 300 А, максимальный ток автомата будет 250 А. В конце периода «горячего старта» выходной ток возвращается к отрегулированному току, и достигается легкое зажигание.



7-) РЕГУЛИРОВКА ТОКА

- Сварочный ток регулируется в диапазоне от 5 до 250 А во всех режимах сварки путем поворота ручки регулировки тока вправо и влево.
- Настроенное значение отображается на цифровом дисплее.
- Нажимая кнопку регулировки тока, вы можете переключаться между значениями тока и напряжения во время сварки или в режиме ожидания.



ТЕХОБСЛУЖИВАНИЕ И УСТРАНЕНИЕ НЕИСПРАВНОСТЕЙ

- Техническое обслуживание и ремонт машины должны выполняться компетентными лицами. Наша компания не несет ответственности за несчастные случаи, которые могут произойти в результате вмешательства посторонних лиц.
- Вы можете получить детали, которые будут использоваться во время ремонта, в наших авторизованных сервисных центрах. Использование оригинальных запасных частей продлит срок службы вашей машины и предотвратит снижение производительности.
- Всегда обращайтесь в авторизованный сервисный центр, назначенный Magmaweld.
- Любая попытка, не санкционированная Magmaweld в течение гарантийного срока, приведет к аннулированию всех гарантийных положений.
- Обязательно соблюдайте действующие правила техники безопасности при техническом обслуживании и ремонте.
- Прежде чем предпринимать какие-либо действия по ремонту машины, отсоедините вилку сетевого шнура машины от сети и подождите 10 секунд, пока разрядятся конденсаторы.

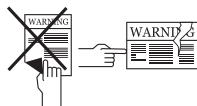
RU

4.1 Техобслуживание



Ежедневный уход

- Не удаляйте предупреждающие наклейки с устройства. Замените изношенные/порвавшиеся этикетки новыми. Этикетки можно получить в авторизованном сервисе.
- Проверьте горелку, плоскогубцы и кабели, обратите внимание на соединения и прочность деталей. Замените поврежденные/дефектные детали новыми. Никогда не добавляйте и не ремонтируйте кабели.
- Убедитесь, что имеется достаточно места для вентиляции.
- Перед началом сварки проверьте поток газа от наконечника горелки с помощью расходомера. Если поток газа высокий или низкий, доведите его до уровня, подходящего для выполнения сварки.



Один раз в 6 месяцев

- Очистите и затяните соединительные детали, такие как болты и гайки.
- Проверьте кабели клещей для электродов и клещей для заземления.
- Откройте боковые крышки машины и очистите ее сухим воздухом под низким давлением. Не применяйте сжатый воздух с близкого расстояния к электронным частям.
- Проверьте розетку, в которую вставлена вилка электропитания машины. Если в местах подключения силового кабеля к розетке есть люфт, устранили его. Если в гнездах есть дуга или расширение, замените его новым.
- Проверьте вилку питания машины. Если есть какие-либо ослабления в точках подключения кабеля внутри штепсельной вилки, извлеките ее. При наличии дуги или деформации на концах вилки замените ее новой.



ПРИМЕЧАНИЕ: Вышеуказанные периоды являются максимальными периодами для выполнения техобслуживания в случаях, если сварочный аппарат работает без каких-либо сбоев. В зависимости от интенсивности работ и загрязнения рабочей среды, процедуры техобслуживания, указанные выше, должны выполняться с более частой периодичностью

4.2 Поиск проблемы

В таблице ниже указаны возможные неисправности и рекомендуемые способы устранения.

Ошибка	Решение
Машина вообще не работает	<ul style="list-style-type: none"> • Убедитесь, что машина подключена к электричеству • Проверьте правильность подключения к сети • Проверьте сетевые предохранители, сетевой кабель и вилку • Проверьте выключатель • Если проблема не устранена, несмотря на то, что вы выполнили все проверки, обратитесь в авторизованный сервисный центр
Машина плохо сваривает	<ul style="list-style-type: none"> • Убедитесь, что клещи заземления машины подключены к заготовке • Убедитесь, что кабели прочные, а места соединений не подвержены коррозии. убедитесь, что у вас есть • Убедитесь, что выбран правильный параметр и процесс • Выполните следующие действия в соответствии с выбранным вами процессом : <ol style="list-style-type: none"> 1- Проверьте полюс, к которому должен быть подключен электрод, и значение тока, которое необходимо отрегулировать в машине 2- Убедитесь, что поток газа открыт, поток правильный убедитесь, что у вас есть 3- Убедитесь, что вольфрамовый наконечник чистый 4- Убедитесь, что сварочная горелка прочная 5- Если проблема не устранена, несмотря на то, что вы выполнили все проверки, обратитесь в авторизованный сервис

4.3 Коды неисправностей

Код неисправности	Неисправность	Причина	Устранение
E01	Тепловая защита (Начальный)	<ul style="list-style-type: none"> • Время безотказной работы вашей машины могло быть превышено 	<ul style="list-style-type: none"> • Дайте машине остыть, немного подождите. Если неисправность исчезнет, попробуйте использовать его при более низких значениях силы тока • Если проблема не исчезнет, обратитесь в авторизованный сервисный центр
		<ul style="list-style-type: none"> • Вентилятор может не работать 	<ul style="list-style-type: none"> • Визуально проверьте, работает вентилятор или нет • Если проблема не исчезнет, обратитесь в авторизованный сервисный центр
		<ul style="list-style-type: none"> • Передняя часть каналов впуска и выпуска воздуха может быть заблокирована 	<ul style="list-style-type: none"> • Откройте воздухопроводы • Если проблема не исчезнет, обратитесь в авторизованный сервисный центр
		<ul style="list-style-type: none"> • Рабочая среда машины может быть очень жаркой или душной 	<ul style="list-style-type: none"> • Убедитесь, что рабочая среда машины не слишком жаркая или душная • Если проблема не исчезнет, обратитесь в авторизованный сервисный центр
E02	Низкое напряжение сети	<ul style="list-style-type: none"> • Возможно, упало сетевое напряжение 	<ul style="list-style-type: none"> • Проверьте кабели подключения к сети и напряжение. Убедитесь, что подано правильное входное напряжение. Если сетевое напряжение в норме, обратитесь в авторизованный сервисный центр
E03	Напряжение сети высокое	<ul style="list-style-type: none"> • Возможно, напряжение в сети увеличилось 	<ul style="list-style-type: none"> • Проверьте кабели подключения к сети и напряжение. Убедитесь, что подано правильное входное напряжение. Если сетевое напряжение в норме, обратитесь в авторизованный сервисный центр
E04	Ошибка чтения тока / напряжения	<ul style="list-style-type: none"> • Возможна аппаратная ошибка 	<ul style="list-style-type: none"> • Обратитесь в авторизованный сервисный центр
E05	Ошибка чтения датчика температуры	<ul style="list-style-type: none"> • Возможна аппаратная ошибка 	<ul style="list-style-type: none"> • Обратитесь в авторизованный сервисный центр
E06	Ошибка блока водяного охлаждения	<ul style="list-style-type: none"> • Возможно, неисправен блок водяного охлаждения 	<ul style="list-style-type: none"> • Проверьте разъем блока водяного охлаждения и входы / выходы горелки • Убедитесь, что обеспечивается циркуляция воды • Если проблема не исчезнет, обратитесь в авторизованный сервисный центр
E07	Системная ошибка	<ul style="list-style-type: none"> • Возможна аппаратная ошибка 	<ul style="list-style-type: none"> • Обратитесь в авторизованный сервисный центр
E08			
E09			

Код неисправности	Неисправность	Причина	Устранение
E10	Ошибка подключения резака	<ul style="list-style-type: none"> Горелка и соединения резака могут быть неисправны 	<ul style="list-style-type: none"> Проверьте резак и соединения резака Если проблема не исчезнет, обратитесь в авторизованный сервисный центр
E11	Системная ошибка	<ul style="list-style-type: none"> Возможна аппаратная ошибка 	<ul style="list-style-type: none"> Обратитесь в авторизованный сервисный центр
E12			
E13	Ошибка устройства подачи проволоки	<ul style="list-style-type: none"> Возможна ошибка подачи проволоки 	<ul style="list-style-type: none"> Проверьте проволочную корзину, катушку / катушечный пресс и соединения горелки Если проблема не исчезнет, обратитесь в авторизованный сервисный центр
E14	Системная ошибка	<ul style="list-style-type: none"> Возможна аппаратная ошибка 	<ul style="list-style-type: none"> Обратитесь в авторизованный сервисный центр
E15	Ошибка связи дистанционного управления	<ul style="list-style-type: none"> Возможно, произошла ошибка в соединениях дистанционного управления 	<ul style="list-style-type: none"> Проверьте соединения дистанционного управления Если проблема не исчезнет, обратитесь в авторизованный сервисный центр
E16	Системная ошибка	<ul style="list-style-type: none"> Возможна аппаратная ошибка 	<ul style="list-style-type: none"> Обратитесь в авторизованный сервисный центр
E17			
E18			
E19	Тепловая защита (Среднее)	<ul style="list-style-type: none"> Время безотказной работы вашей машины могло быть превышено 	<ul style="list-style-type: none"> Дайте машине остыть, немного подождите. Если неисправность исчезнет, попробуйте использовать его при более низких значениях силы тока Если проблема не исчезнет, обратитесь в авторизованный сервисный центр
		<ul style="list-style-type: none"> Вентилятор может не работать 	<ul style="list-style-type: none"> Визуально проверьте, работает вентилятор или нет Если проблема не исчезнет, обратитесь в авторизованный сервисный центр
		<ul style="list-style-type: none"> Передняя часть воздухозаборника - выпускные каналы могут быть заблокированы 	<ul style="list-style-type: none"> Откройте воздухопроводы Если проблема не исчезнет, обратитесь в авторизованный сервисный центр
		<ul style="list-style-type: none"> Рабочая среда машины может быть очень жаркой или душной 	<ul style="list-style-type: none"> Убедитесь, что рабочая среда машины не слишком жаркая или душная Если проблема не исчезнет, обратитесь в авторизованный сервисный центр
E20	Системная ошибка	<ul style="list-style-type: none"> Возможна аппаратная ошибка 	<ul style="list-style-type: none"> Обратитесь в авторизованный сервисный центр
E21			
E22			
E23			

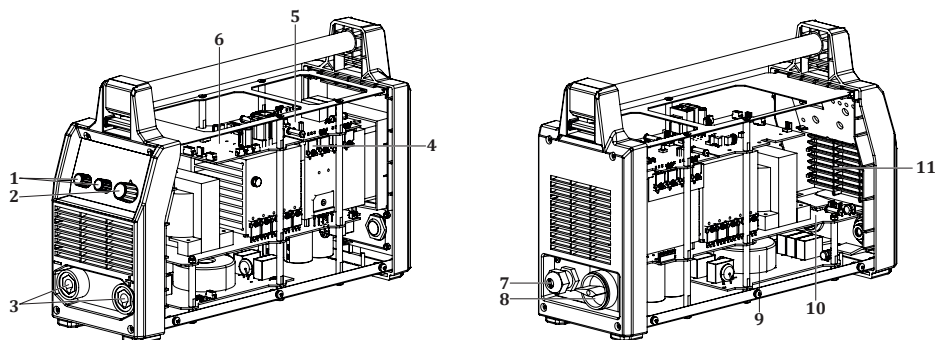
Код неисправности	Неисправность	Причина	Устранение
E26	Низкое давление на входе	<ul style="list-style-type: none"> Низкое давление на входе 	<ul style="list-style-type: none"> Проверьте соединения воздуха / газа, убедитесь, что давление на входе соответствует требованиям, если давление на входе в норме, обратитесь в авторизованный сервисный центр
E27	Корпус горелки не установлен	<ul style="list-style-type: none"> Защита резака не может быть установлена или установлена 	<ul style="list-style-type: none"> Убедитесь, что защита резака установлена правильно. Если проблема не исчезнет, обратитесь в авторизованный сервисный центр
E28	Системная ошибка	<ul style="list-style-type: none"> Возможна аппаратная ошибка 	<ul style="list-style-type: none"> Обратитесь в авторизованный сервисный центр
E29	Низкое напряжение шины постоянного тока	<ul style="list-style-type: none"> Возможно, упало сетевое напряжение 	<ul style="list-style-type: none"> Проверьте кабели подключения к сети и напряжение. Убедитесь, что подано правильное входное напряжение. Если сетевое напряжение в норме, обратитесь в авторизованный сервисный центр
E30	Напряжение на шине постоянного тока высокое	<ul style="list-style-type: none"> Возможно, напряжение в сети увеличилось 	<ul style="list-style-type: none"> Проверьте кабели подключения к сети и напряжение. Убедитесь, что подано правильное входное напряжение. Если сетевое напряжение в норме, обратитесь в авторизованный сервисный центр
E31	Системная ошибка	<ul style="list-style-type: none"> Возможна аппаратная ошибка 	<ul style="list-style-type: none"> Обратитесь в авторизованный сервисный центр



ПРИЛОЖЕНИЕ

5.1 Список запасных частей

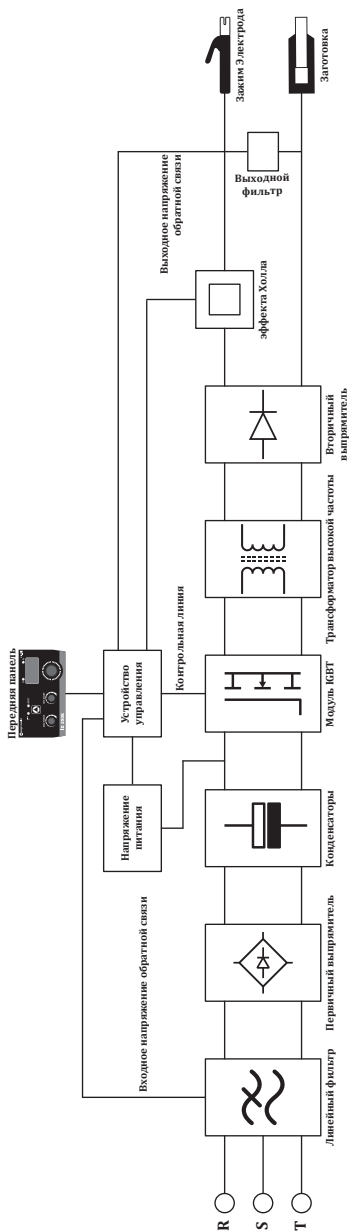
RU



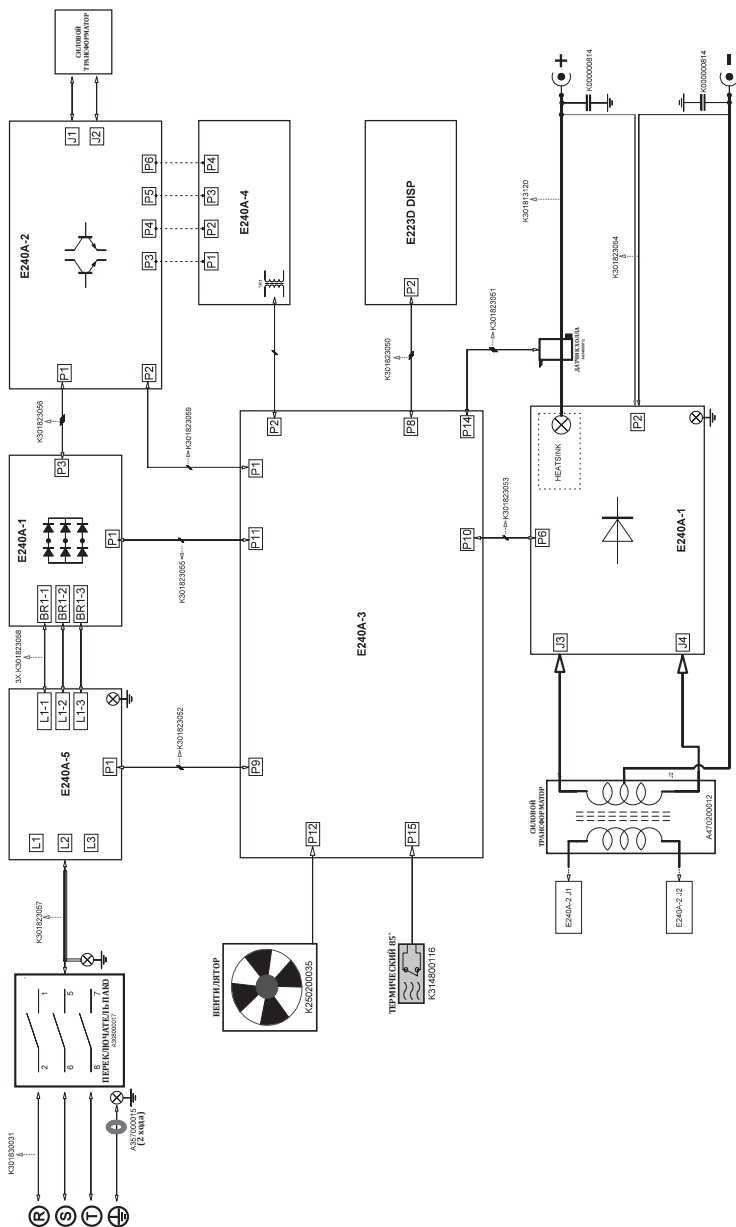
№	ОПИСАНИЕ	ID 250E
1	Кнопка потенции	A229500004
2	Ручка потенции - маленькая	A229500001
3	Сварочная муфта	A377900104
4	Электронная плата E240A-2 V1.0	K405000342
5	Электронная плата E240A-4 V1.0	K405000344
6	Электронная плата E240A-3 V1.0	Y504000042
7	Пако Переключатель	A308000017
8	Пластиковый союз	A376400016
9	Электронная плата E240A-5 V1.0	K405000346
10	Электронная плата E240A-1 V1.0	K405000341
11	Электронная плата E223D DISP	Y504000043

5.2 Схемы подключения

Блок-схема



Принципиальные схемы



ИНФОРМАЦИЯ О ТОВАРЕ

Модель	
Серийный номер	

ПРОИЗВОДИТЕЛЬ

Имя	MAGMA MEKATRONİK MAKİNE SANAYİ VE TİCARET A.Ş.
Адрес	Organize Sanayi Bölgesi 5. Kısım MANİSA
Телефон / Электронная почта	+90 236 226 27 00 / info@magmaWeld.com

ИНФОРМАЦИЯ О ПОКУПКЕ

Имя дилера	
Город / Страна	
Телефон / Электронная почта	
Дата покупки	

ИНФОРМАЦИЯ О КЛИЕНТЕ

Название компании	
Город / Страна	
Телефон / Электронная почта	
Имя контакта	

СЕРВИСНАЯ ИНФОРМАЦИЯ (если применимо)

Название компании	
Имя техника	
Дата сдачи (дата начала гарантии)	



Пожалуйста, посетите наш веб-сайт www.magmaWeld.ru/условия-гарантии/wt чтобы ознакомиться с условиями гарантии.

İÇİNDEKİLER

GÜVENLİK KURALLARI	80
1 TEKNİK BİLGİLER	
1.1 Genel Açıklamalar	86
1.2 Makine Bileşenleri	86
1.3 Ürün Etiketi	87
1.4 Teknik Özellikler	88
1.5 Aksesuarlar	88
2 KURULUM BİLGİLERİ	
2.1 Teslim Alırken Dikkat Edilecek Hususlar	89
2.2 Kurulum ve Çalışma Tavsiyeleri	89
2.3 Elektrik Fişi Bağlantısı	90
2.4 Şebekeye Bağlama	90
2.5 Örtülü Elektrod Kaynağı İçin Bağlantılar	90
2.6 TIG Kaynağı İçin Bağlantılar	91
3 KULLANIM BİLGİLERİ	
3.1 Kullanıcı Arayüzü	92
4 BAKIM VE ARIZA BİLGİLERİ	
4.1 Bakım	94
4.2 Hata Giderme	95
4.3 Hata Kodları	96
5 EKLER	
5.1 Yedek Parça Listesi	98
5.2 Bağlantı Şemaları	99

✓ GÜVENLİK KURALLARI

Kılavuzda Yer Alan Tüm Güvenlik Kurallarına Uyun!

Güvenlik Bilgilerinin Tanınması



- Kılavuzda yer alan güvenlik sembolleri potansiyel tehlikelerin tanımlanmasında kullanılır.
- Bu kılavuzda herhangi bir güvenlik sembolü görüldüğünde, bir yaralanma riski olduğu anlaşılmalı ve takip eden açıklamalar dikkatlice okunarak olası tehlikeler engellenmelidir.
- Makine sahibi, yetkisiz kişilerin ekipmana erişmesini engellemekten sorumludur.
- Makineyi kullanan kişiler kaynak / kesme konusunda deneyimli veya tam eğitilmiş kişiler olup, çalışma öncesinde kullanma kılavuzunu okumalı ve güvenlik uyarılarına uymalıdır.

Güvenlik Sembollerinin Tanınması



DİKKAT

Yaralanma ya da hasara neden olabilecek potansiyel tehlikeli bir durumu belirtir. Önlem alınmaması durumunda yaralanmalara veya maddi kayıplara / hasarlara neden olabilir.



ÖNEMLİ

Kullanıma yönelik bilgilendirmeleri ve uyarıları belirtir.



TEHLİKE

Ciddi tehlike olduğunu gösterir. Kaçınılması durumunda ölüm veya ağır yaralanmalar meydana gelebilir.

Güvenlik Uyarılarının Kavranması



- Kullanım kılavuzunu, makine üzerindeki etiket ve güvenlik uyarılarını dikkatli bir şekilde okuyunuz.
- Makine üzerindeki uyarı etiketlerinin iyi durumda olduğundan emin olunuz. Eksik ve hasarlı etiketleri değiştiriniz.
- Makinenin nasıl çalıştırıldığını, kontrollerinin doğru bir şekilde nasıl yapılacağını öğreniniz.
- Makinenizi uygun çalışma ortamlarında kullanınız.
- Makinenizde yapılabilecek uygunsuz değişiklikler makinenizin güvenli çalışmasına ve kullanım ömrüne olumsuz etki eder.
- Cihazın belirtilen koşullar dışında çalıştırılmasından doğan sonuçlardan üretici sorumlu değildir.

Elektrik Çarpmaları Öldürebilir



Kurulum prosedürlerinin ulusal elektrik standartlarına ve diğer ilgili yönetmeliklere uygun olduğundan emin olun ve makinenin yetkili kişiler tarafından kurulmasını sağlayın.

- Kuru ve sağlam izolasyonlu eldiven ve iş önlüğü giyin. Islak ya da hasar görmüş eldiven ve iş önlüklerini kesinlikle kullanmayın.
- Yanma riskine karşı alev dayanıklı koruyucu kıyafetler giyin. Operatörün kullandığı kıyafetler kıvılcım, sıçrıntı ve ark radyasyonuna karşı koruyucu olmalıdır.
- Yalnız başınıza çalışmayın. Bir tehlike durumunda, çalıştığınız ortamda haber verebileceğiniz birinin olduğundan emin olun.
- Elektroda çıplak elle dokunmayın. Elektrod penselinin veya elektrodun herhangi bir kişi ya da topraklanmış nesne ile temas etmesini engelleyin.
- Elektrik taşıyan parçalara kesinlikle dokunmayın.
- Eğer çalışma yüzeyine, zemine ya da başka bir makineye bağlı elektrodla temas halindeyseniz kesinlikle elektrodla dokunmayın.
- Çalışma yüzeyinden ve zeminden kendinizi izole ederek olası muhtemel elektrik şoklarından koruna bilirsiniz. Çalışma yüzeyiyle operatörün temasını kesecek kadar büyük, yamaz, elektriksiz açıdan yalıtılan, kuru ve hasarsız izolasyon malzemesi kullanın.
- Elektrod pensesine birden fazla elektrod bağlamayın.
- Topraklama pensesini çalışma parçası ya da çalışma masasına metal metale iyi bir temas sağlayacak şekilde olabildiğince yakın bağlayın.
- Makineyi çalıştırmadan önce torcu kontrol edin. Torcun ve kablolarının iyi durumda olduğundan emin olun. Hasarlı, yıpranmış torcu mutlaka değiştirin.
- Çift açık devre voltajı olacağı için 2 farklı makineye bağlı elektrod penselerine aynı anda dokunmayın.
- Makineyi kullanmadığınız durumlarda kapalı tutun ve kabloların bağlantılarını sökün.
- Makineyi tamir etmeden önce tüm güç bağlantılarını ve/veya bağlantı fişlerini çıkartın ya da makineyi kapatın.
- Uzun şebeke kablosu kullanırken dikkatli olun.
- Tüm bağlantıların sıkı, temiz ve kuru olduğundan emin olun.

- Kabloların kuru, temiz olmasına ve yağlanmamasına özen gösterin. Sıcak metal parçalardan ve kıvılcıklardan koruyun.
- İzolasyonsuz, çıplak kablolar ölümcül tehlike yaratır. Tüm kabloları olası hasarlarla karşı sık sık kontrol edin. Hasarlı ya da izolasyonsuz bir kablo tespit edildiğinde derhal tamir edin veya değiştirin.
- Topraklama sensesi iş parçasına bağlı değil ise herhangi bir metal nesneyle temasını önlemek için izole edin.
- Elektrik hattının topraklamasının doğru yapıldığından emin olun.
- AC kaynak çıkışı ıslak, nemli ya da sıkışık alanlarda ve düşme tehlikesi bulunan yerlerde kullanmayın.
- AC çıkışı yalnızca kaynak prosesi için gerekli olduğu durumlarda kullanın.
- AC çıkış gerekli olduğu durumlarda eğer makinanızda mevcut ise uzaktan kontrol ünitesini kullanın.

Aşağıdaki elektriksiz açıldan tehlike içeren durumlardan biri mevcut olduğunda ekstra güvenlik önlemleri alın;

- Nemli yerlerdeyken veya ıslak kıyafetler giyerken,
 - Metal zemin, ızgara veya iskele yapılarında iken,
 - Oturma, diz çökme veya yatma gibi sıkışık konumlarda iken,
 - İş parçası veya zemine temas etme riski yüksek veya kaçınılmaz olduğunda.
- Bu durumlarda aşağıdaki ekipmanlar kullanılabilir;
- Yarı otomatik DC sabit gerilim (CV) MIG kaynak makinesi,
 - DC manuel Örtülü elektrod kaynak makinesi,
 - Var ise düşük açık devre gerilimine (VRD) sahip DC veya AC kaynak makinesi.

**Elektrik Çarpması
Durumunda
Uygulanması
Gerekenler**



- Elektrik gücünü kapatın.
- Elektrik şokuna kapılmış kazazedeyi elektrik taşıyan kablo veya parçalardan kurtarmak için kuru odun gibi iletken olmayan malzemeler kullanın.
- Acil servisi arayın.

İlk yardım eğitiminiz var ise;

- Kazazede nefes alamıyorsa elektrik kaynağı ile temas kesildikten hemen sonra kalp masajı (CPR) uygulayın. Solunum başlayana veya yardım gelene kadar kalp masajına devam edin.
- Otomatik bir elektronik defibrilatörün (AED) mevcut olduğu durumlarda talimatlara uygun şekilde kullanın.
- Elektrik yanığını termal yanık gibi soğuk kompres uygulayarak tedavi edin.
- Enfeksiyon kapmasını önleyin ve temiz, kuru bir örtü ile örtün.

**Hareketli Parçalar
Yaralanmalara
Yol Açabilir**



- Hareket halinde olan nesnelere uzak durun.
- Makine ve cihazlara ait tüm kapak, panel, kapı vb. koruyucuları kapalı ve kilitli tutun.
- Ağır cisimlerin düşme olasılığına karşı metal burunlu ayakkabı giyin.

**Duman ve Gazlar
Sağlığınız İçin
Zararlı Olabilir**



Kaynak ve kesme işlemi yapılırken çıkan duman ve gazın uzun süre solunması çok tehlikelidir.

- Gözlerde, burunda ve boğazda meydana gelen yanma hissi ve tahrişler; yetersiz havalandırmanın belirtileridir. Böyle bir durumda derhal havalandırmayı artırın, sorunun devam etmesi halinde kaynak / kesme işlemini durdurun.
- Çalışma alanında doğal ya da suni bir havalandırma sistemi oluşturun.
- Kaynak / kesme işlemi yapılan yerlerde uygun bir duman emme sistemi kullanın. Gerekliyse tüm atölyede biriken duman ve gazları dışarıya atabilecek bir sistem kurun. Deşarj esnasında çevreyi kirletmemek için uygun bir filtrasyon sistemi kullanın.
- Dar ve kapalı alanlarda çalışıyorsanız veya kurşun, berilyum, kadmiyum, çinko, kaplı ya da boyalı malzemelerin kaynağını yapıyorsanız, yukarıdaki önlemlere ilave olarak temiz hava sağlayan maskeler kullanın.
- Gaz tüpleri ayrı bir bölgede gruplandırılmışsa buraların iyi havalandırılması sağlayın, gaz tüpleri kullanımında değilken ana vanalarını kapalı tutun, gaz kaçaklarına dikkat edin.
- Argon gibi koruyucu gazlar havadan daha yoğun ve kapalı alanlarda kullanıldıkları takdirde havanın yerine solunabilirler. Bu da sağlığınız için tehlikelidir.
- Kaynak / kesme işlemlerini yağlama veya boyama işlemlerinde açığa çıkan klorlu hidrokarbon buharlarının olduğu ortamlarda yapmayın.
- Bazı kaynak / kesim yapılan parçalar için özel havalandırma gerekir. Özel havalandırma gerektiren ürünlerin güvenlik kuralları dikkatlice okunmalıdır. Gaz maskesi takılması gereken durumlarda uygun gaz maskesi takılmalıdır.

Siçrıntı ve Ark Işıđı Gözlerinize ve Cildinize Zarar Verebilir



- Gözlerinizi ve yüzünüzü korumak için standarda uygun koruyucu maske ile ona uygun cam filtre kullanın.
- Vücutunuzun diğer çıplak kalan yerlerini (kollar, boyun, kulaklar, vb) uygun koruyucu giysilerle siçrıntı ve ark ışınlarından koruyun.
- Çevrenizdeki kişilerin ark ışınlarından ve sıcak metallere zarar görmemeleri için çalışma alanınızı göz hizasından yüksek, alev dayanıklı paravanlarla çevirin ve uyarı levhaları asın.
- Buz tutmuş boruların ısıtılmasında kullanılmaz. Kaynak / kesme makinesiyle yapılan bu işlem tesisatınızda patlama, yangın veya hasara neden olur.

Kıvılcımlar ve Siçrayan Parçalar Gözlerinizi Yaralayabilir



- Kaynak / kesme yapmak, yüzey taşlamak, fırçalamak gibi işlemler kıvılcımlara ve metal parçacıklarının siçramasına neden olur. Oluşabilecek yaralanmaları önlemek için koruyucu maskesinin altına, kenar korumalıkları olan onaylanmış koruyucu iş gözlükleri takın.

Sıcak Parçalar Ağır Yanıklara Neden Olabilir



- Sıcak parçalara çıplak el ile dokunmayın.
- Makinenin parçaları üzerinde çalışmadan önce soğumaları için gerekli sürenin geçmesini bekleyin.
- Sıcak parçaları tutmanız gerektiğinde, uygun alet, ısıl izolasyonu yüksek kaynak / kesme eldiveni ve yanmaz giysiler kullanın.

Gürültü, Duyma Yeteneđinize Zarar Verebilir



- Bazı ekipman ve işlemlerin oluşturacağı gürültü, duyma yeteneđinize zarar verebilir.
- Eğer gürültü seviyesi yüksek ise onaylanmış kulak koruyucularını takın.

Kaynak Teli Yaralanmalara Yol Açabilir



- Kaynak teli sargısını boşaltırken torcu vücudun herhangi bir bölümüne, diğer kişilere ya da herhangi bir metale doğru tutmayın.
- Kaynak telini makaradan elle açarken özellikle ince çaplarda tel, bir yay gibi elinizden fırlayabilir, size veya çevrenizdeki diğer kişilere zarar verebilir; bu işlemi yaparken özellikle gözlerinizi ve yüzünüzü koruyun.

Kaynak / Kesme İşlemi Yangınlara ve Patlamalara Yol Açabilir



- Yanıcı maddelere yakın yerlerde kesinlikle kaynak / kesim yapmayın. Yangın çıkabilir veya patlamalar olabilir.
- Kaynak / kesme işlemine başlamadan önce bu maddeleri ortamdan uzaklaştırın veya yanmalarını ve harlamalarını önlemek için koruyucu örtülerle üstlerini örtün.
- Bu alanlarda ulusal ve uluslararası özel kurallar geçerlidir.

- Tamamen kapalı tüplere ya da borulara kaynak / kesme işlemi uygulamayın.
- Tüp ve kapalı konteynerlere kaynak / kesme yapmadan önce bunları açın, tamamıyla boşaltıp, havalandırıp temizleyin. Bu tip yerlerde yapacağımız kaynak / kesme işlemlerinde mümkün olan en büyük dikkati gösterin.
- İçinde daha önce, patlama, yangın ya da diğer tepkimelere neden olabilecek maddeler bulunan tüp ve borulara boş dahi olsalar kaynak / kesme yapmayın.
- Kaynak / kesme işlemi esnasında yüksek sıcaklık oluşur. Bu nedenle kolay yanabilecek veya hasar görebilecek yüzeylerin üzerine yerleştirmeyin !

- Kıvılcımlar ve siçrayan parçalar yangına sebep olabilir. Bu nedenle yangın söndürücü tüp, su, kum gibi malzemeleri kolay ulaşabileceğiniz yerlerde bulundurun.
- Yanıcı, patlayıcı ve basınçlı gaz devreleri üzerinde geri tepme ventilleri, gaz regülatörleri ve vanalarını kullanın. Bunların periyodik kontrollerinin yapıpı sağlıklı çalışmasına dikkat edin.

Makine ve Aparatlarla Yetkisiz Kişiler Tarafından Bakım Yapılması Yaralanmalara Neden Olabilir



- Elektrikli cihazlar yetkisiz kişilere tamir ettirilmemelidir. Burada yapılabilecek hatalar kullanımda ciddi yaralanmalara veya ölümlere neden olabilir
- Gaz devresi elemanları basınç altında çalışmaktadır; yetkisiz kişiler tarafından verilen servisler sonucunda patlamalar olabilir, kullanıcılar ciddi şekilde yaralanabilir.
- Makinenin ve yan birimlerinin her yıl en az bir kez teknik bakımının yaptırılması tavsiye edilir.

Küçük Hacimli Kapalı Alanlarda Kaynak / Kesme



- Küçük hacimli ve kapalı alanlarda mutlaka bir başka kişi eşliğinde kaynak / kesme işlemlerini yapın.
- Mümkün olduğu kadar bu tarz kapalı yerlerde kaynak / kesme işlemleri yapmaktan kaçınınız.

Taşıma Esnasında Gerekli Önlemlerin Alınmaması Kazalara Neden Olabilir



- Makinenin taşınmasında gerekli tüm önlemleri alınız. Taşıma yapılacak alanlar, taşımada kullanılacak parçalar ile taşımayı gerçekleştirecek kişinin fiziki koşulları ve sağlığı taşıma işlemine uygun olmalıdır.
- Bazı makineler son derece ağırdır, bu nedenle yerleri değiştirirken gerekli çevresel güvenlik önlemlerinin alındığından emin olunmalıdır.
- Makine bir platform üzerinden kullanılacaksa, bu platformun uygun yük taşıma sınırlarına sahip olduğu kontrol edilmelidir.
- Bir vasıta yardımı ile (taşıma arabası, forklift vb.) taşınacak ise vasıtanın ve makineyi vasıtaya bağlayan bağlantı noktalarının (taşıma askısı, kayış, civata, somun, tekerlek vb.) sağlamlığından emin olunuz.
- Elle taşıma işlemi gerçekleştirilecek ise Makine aparatlarının (taşıma askısı, kayış vb.) ve bağlantılarının sağlamlığından emin olunuz.
- Gerekli taşıma koşullarının sağlanması için Uluslararası Çalışma Örgütünün taşıma ağırlığı ile ilgili kurallarını ve ülkenizde var olan taşıma yönetmeliklerini göz önünde bulundurunuz.
- Güç kaynağının yerini değiştirirken her zaman tutamakları veya taşıma halkalarını kullanın. Asla torç, kablo veya hortumlardan çekmeyin. Gaz tüplerini mutlaka ayrı taşıyın.
- Kaynak / kesme ekipmanlarını taşımadan önce tüm ara bağlantılarını sökün, ayrı ayrı olmak üzere, küçük olanları saplarından, büyükleri ise taşıma halkalarından ya da forklift gibi uygun kaldıraç ekipmanları kullanarak kaldırın ve taşıyın.

Düşen Parçalar Yaralanmalara Sebep Olabilir



Güç kaynağının ya da diğer ekipmanların doğru konumlandırılmaması, kişilerde ciddi yaralanmalara ve diğer nesnelere de maddi hasara neden olabilir.

- Makinenizi düşmeyecek ve devrilmeyecek şekilde maksimum 10° eğime sahip zemin ve platformlara yerleştirin. Malzeme akışına engel olmayacak, kablo ve hortumlara takılma riskinin oluşmayacağı, hareketsiz; ancak geniş, rahat havalandırılabilir, tozsuz alanları tercih edin. Gaz tüplerinin devrilmemesi için tüpe uygun gaz platformu bulunan makinelerde platformun üzerine, sabit kullanımlarda ise devrilmeyecek şekilde zincirle duvara sabitleyin.
- Operatörlerin makine üzerindeki ayarlara ve bağlantılara kolayca ulaşmasını sağlayın.

Aşırı Kullanım Makinenin Aşırı Isınmasına Neden Olur



- Çalışma çevrimi oranlarına göre makinenin soğumasına müsaade edin.
- Akımı veya çalışma çevrimi oranını tekrar kaynağa / kesmeye başlamadan önce düşürün.
- Makinenin havalandırma girişlerinin önünü kapamayın.
- Makinenin havalandırma girişlerine, üretici onayı olmadan filtre koymayın.

Ark Kaynağı Elektromanyetik Parazitlere Neden Olabilir



- Bu cihaz TS EN 55011 standardına göre EMC testlerinde grup 2, class A dir.
- Bu class A cihaz elektiriksel gücün alçak gerilim şebekeden sağlandığı meskun mahallerde kullanım amacıyla üretilmemiştir. Bu gibi yerlerde iletilen ve yayılan radyo frekans parazitlerinden dolayı elektromanyetik uyumluluğu sağlamakla ilgili muhtemel zorluklar olabilir.



Bu cihaz IEC 61000 -3 - 12 uyumlu değildir. Evlerde kullanılan alçak gerilim şebekesine bağlanmak istenmesi durumunda, elektrik bağlantısını yapacak tesisatçının veya makineyi kullanacak kişinin, makinenin bağlanabilirliği konusunda bilgi sahibi olması gereklidir, bu durumda sorumluluk kullanıcıya aittir.

- Çalışma bölgesinin elektromanyetik uyumluluğa (EMC) uygun olduğundan emin olun. Kaynak / kesme işlemi esnasında oluşabilecek elektromanyetik parazitler, elektronik cihazlarınızda ve şebekenizde istenmeyen etkilere neden olabilir. İşlem sırasında oluşabilecek bu parazitlerin neden olabileceği etkiler kullanıcının sorumluluğu altındadır.
- Eğer herhangi bir parazit oluşuyorsa, uygunluğu sağlamak için; kısa kablo kullanımı, korumalı (zırhlı) kablo kullanımı, makinenin başka bir yere taşınması, kabloların etkilenen cihaz ve/veya bölgeden uzaklaştırılması, filtre kullanımı veya çalışma alanının EMC açısından korunmaya alınması gibi ekstra önlemler alınabilir.
- Olası EMC hasarlarını engellemek için kaynak / kesme işlemlerinizi hassas elektronik cihazlarınızdan mümkün olduğunca uzakta (100 m) gerçekleştirin.
- Makinenizi kullanma kılavuzuna uygun şekilde kurulum yerleştirildiğinden emin olun.

Çalışma Alanının IEC 60974-9 madde 5.2'ye göre;**Elektromanyetik Uygunluğunun Değerlendirilmesi**

Kaynak / kesme donanımı tesis etmeden önce, işletme yetkilisi ve / veya kullanıcı, çevredeki olası elektromanyetik parazitler hakkında bir inceleme yapmalıdır. Aşağıda belirtilen haller göz önünde bulundurulmalıdır;

- Kaynak / kesme makinesi ve donanımının üstünde, altında ve yanındaki diğer besleme kabloları, kontrol kabloları, sinyal ve telefon kabloları,
- Radio ve televizyon vericileri ve alıcıları,
- Bilgisayar ve diğer kontrol donanımı,
- Kritik güvenlik donanımı, örneğin endüstriyel donanımın korunması,
- Çevredeki insanların tıbbi aparatları, örneğin kalp pilleri ve işitme cihazları,
- Ölçme veya kalibrasyon için kullanılan donanım,
- Ortamdaki diğer donanımın başışıklığı. Kullanıcı, çevrede kullanılmakta olan diğer donanımın uyumlu olmasını sağlamalıdır. Bu, ilave koruma önlemleri gerektirebilir,
- Kaynak / kesme işleminin gün içindeki gerçekleştirileceği zaman, göz önüne alınarak çevrenin büyüklüğü, binanın yapısına ve binada yapılmakta olan diğer faaliyetlere göre inceleme alanı sınırları genişletilebilir.

Alanın değerlendirilmesine ek olarak cihaz kurulumlarının değerlendirilmesi de bozucu etkinin çözümü için gerekli olabilir. Gerek görülmesi durumunda, yerinde ölçümler azaltıcı önlemlerin verimliliklerini onaylamak için de kullanılabilir.

(Kaynak: IEC 60974-9).

Parazit Azaltma Yöntemleri

- Cihaz tavsiye edilen şekilde ve yetkili bir kişi tarafından elektrik şebekesine bağlanmalıdır. Eğer parazit oluşursa şebekenin filtelenmesi gibi ek önlemler uygulanabilir. Sabit montajlı ark kaynağı ekipmanının beslemesi metal bir boru içerisinden veya eşdeğer ekranlı bir kablo ile yapılmalıdır. Ekran ile güç kaynağının mahfazası bağlı olmalı ve bu iki yapı arasında iyi bir elektriksel temas sağlanmalıdır.
- Cihazın tavsiye edilen rutin bakımları yapılmalıdır. Cihaz kullanımdayken, kaportanın tüm kapakları kapalı ve / veya kilitle olmalıdır. Cihaz üzerinde üreticinin yazılı onayı olmadan standart ayarları dışında herhangi bir değişiklik, modifikasyon kesinlikle yapılamaz. Aksi durumda oluşabilecek her türlü sonuçtan kullanıcı sorumludur.
- Kaynak / kesme kabloları mümkün olduğunca kısa tutulmalıdır. Çalışma alanının zemininden yan yana olacak şekilde ilerlemelidirler. Kaynak / kesme kabloları hiçbir şekilde sarılmamalıdır.
- Kaynak / kesme esasında makinede manyetik alan oluşmaktadır. Bu durum makinenin metal parçaları kendi üzerine çekmeye sebebiyet verebilir. Bu çekimi engellemek adına metal malzemelerin güvenli mesafede veya sabitlenmiş olduğundan emin olunuz. Operatör, bütün bu birbirine bağlanmış metal malzemelerden yalıtılmalıdır.
- İş parçasının elektriksel güvenlik amacıyla veya boyutu ve pozisyonu sebebiyle toprağa bağlanmadığı durumlarda (örneğin gemi gövdesi veya çelik konstrüksiyon imalatı) iş parçası ile toprak arasında yapılacak bir bağlantı bazı durumlarda emisyonları düşürebilir. İş parçasının topraklanmasının kullanıcıların yaralanmasına veya ortamdaki diğer elektrikli ekipmanların arıza yapmasına neden olabileceği unutulmamalıdır. Gerekli hallerde iş parçası ile toprak bağlantısı doğrudan yapılabılır fakat doğrudan bağlantıya izin verilemeyen bazı ülkelerde bağlantı yerel düzenleme ve yönetmeliklere uygun olarak, uygun kapasite elemanları kullanılarak oluşturulabilir.
- Çalışma alanındaki diğer cihazların ve kabloların ekranlanması ve muhafazası bozucu etkilerin önüne geçilmesini sağlayabilir. Kaynak / kesme bölgesinin tamamının ekranlanması bazı özel uygulamalar için değerlendirilebilir.

Elektromanyetik Alan (EMF)

Herhangi bir iletken üzerinden geçen elektrik akımı, bölgesel elektrik ve manyetik alanlar (EMF) oluşturur.

Operatörler EMF'ye maruz kalmının sebep olduğu riski en aza indirmek için aşağıdaki prosedürleri uygulamalıdır;

- Manyetik alanı azaltmak adına kaynak / kesme kabloları bir araya getirilmeli, mümkün olduğunca birleştirici malzemelerle (bant, kablo bağı vb.) emniyet altına alınmalıdır.
- Operatörün gövdesi ve başı, kaynak / kesme makine ve kablolarından mümkün olduğunca uzakta tutulmalıdır,
- Kaynak / kesme ve elektrik kabloları vücudun etrafına hiçbir şekilde sarılmamalıdır,
- Vücut, kaynak / kesme kablolarının arasında kalmamalıdır. Kaynak / kesme kablolarının her ikisi yan yana olmak üzere vücudun uzağında tutulmalıdır,
- Dönüş kablosu iş parçasına, kaynak / kesme yapılan bölgeye mümkün olduğunca yakın bir şekilde bağlanmalıdır,
- Güç ünitesine yaslanmamalı, üzerine oturmamalı ve çok yakınında çalışılmamalıdır,
- Güç ünitesini veya tel besleme ünitesini taşıırken kaynak / kesme işlemi yapılmamalıdır.

EMF ayrıca, kalp pilleri gibi tıbbi implantların (vücut içine yerleştirilen madde) çalışmasını bozabilir. Tıbbi implantları olan kişiler için koruyucu önlemler alınmalıdır. Örneğin, yoldan geçenler için erişim sınırlaması koyulabilir veya operatörler için bireysel risk değerlendirmeleri yapılabilir. Bir tıp uzmanı tarafından, tıbbi implantları olan kullanıcılar için risk değerlendirmesi yapıp, öneride bulunulmalıdır.

**Koruma**

- Makineyi yağmura maruz bırakmayın, üzerine su sıçramasına veya basınçlı buhar gelmesine engel olun.

Enerji Verimliliği

- Yapacağınız kaynak / kesme işlemine uygun yöntem ve makine tercihinde bulunun.
- Kaynak / kesme yapacağınız malzemeye ve kalınlığına uygun akım ve / veya gerilimi seçin.
- Kaynak / kesme yapmadan uzun süre beklenilecekse, fan makineyi soğuttuktan sonra makineyi kapatın. Akıllı fan kontrolü olan makinelerimiz kendi kendine duracaktır.

Atık Prosedürü

- Bu cihaz evsel atık değildir. Avrupa Birliği direktifi ile ulusal yasa çerçevesinde geri dönüşüme yönlendirilmek zorundadır.
- Kullanılmış makinенizin atık yönetimi hakkında satıcınızdan ve yetkili kişilerden bilgi edinin.

GARANTİ FORMU

Garanti Formu için www.magmaweld.com.tr/garanti-formu/wr web sitemizi ziyaret ediniz.

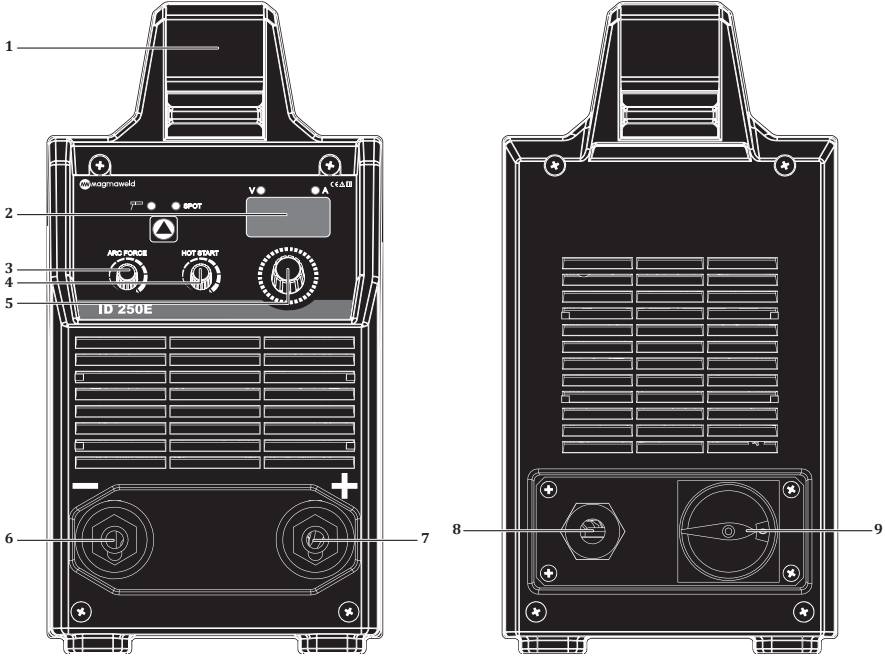


TEKNİK BİLGİLER

1.1 Genel Açıklamalar

ID 250E, 3 faz 400 VAC 50-60 Hz gerilimi ile çalışan, doğru akım çıkışlı, kolay taşınabilir 5.0 mm'ye kadar örtülü elektrod yakabilen invertör kaynak makinesidir. Tüm rutil ve bazik örtülü elektrodlar için mükemmel ark karakteristiği sunar. Makine fan soğutmalıdır ve aşırı ısınmaya karşı termik korumalıdır.

1.2 Makine Bileşenleri



Şekil 1 : ID 250E

- 1- Tutamak
- 2- Dijital Gösterge
- 3- Arc Force Potu
- 4- Hot Start Potu
- 5- Akım Ayar Potu

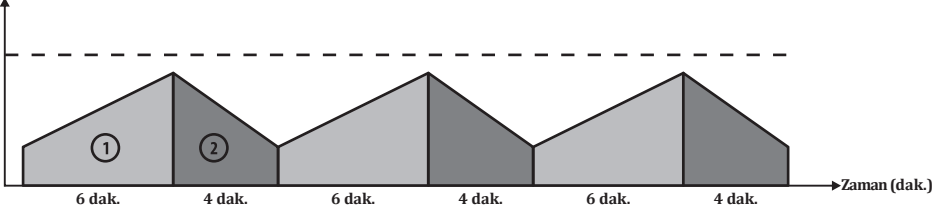
- 6- Kaynak ve Toprak Kablosu Soketi (-)
- 7- Kaynak ve Toprak Kablosu Soketi (+)
- 8- Açma/Kapama Şalteri
- 9- Besleme Kablosu Girişi

1.3 Ürün Etiketi

MAGMA MEKATRONİK MAKİNE SAN. VE TİC. A.Ş.			
Organize Sanayi Bölgesi 5.Kısım Manisa-TÜRKİYE			
ID 250E		S/N:	
		EN 60974-1/-10 Cl. A	
5A / 20.2V - 250A / 30V			
		X ^(40°C)	35% 60% 100%
	U ₀ =70V	I ₂	250A 191A 148A
		U ₂	30V 27.6V 25.9V
	U ₁ =400V	I _{1max} = 18.5A	I _{1off} = 11A
3~50-60Hz			
IP23S	CE	EAC	UK CA

	Üç Fazlı Transformatör Doğrultucu	X	Çalışma Çevrimi
	TIG Kaynağı	U ₀	Boşta Çalışma Gerilimi
	Örtülü Elektrod Kaynağı	U ₁	Şebeke Gerilimi ve Frekansı
	Doğru Akım	U ₂	Anma Kaynak Gerilimi
	Düşey Karakteristik	I ₁	Şebekeden Çekilen Anma Akımı
	Şebeke Girişi-3 Fazlı Alternatif Akım	I ₂	Anma Kaynak Akımı
	Tehlikeli Ortamlarda Çalışmaya Uygun	S ₁	Şebekeden Çekilen Güç
		IP21S	Koruma Sınıfı

Çalışma Çevrimi
Sıcaklık (C°)



EN 60974-1 standardında da tanımlandığı üzere çalışma çevrim oranı 10 dakikalık bir zaman periyodunu içerir. Örnek olarak %60'da 250A olarak belirtilen bir makinede 250A'de çalışılmak isteniyorsa, makine 10 dakikalık zaman periyodunun ilk 6 dakikasında hiç durmadan kaynak / kesme yapabilir (1 bölgesi). Ancak bunu takip eden 4 dakika makine soğuması için boşta bekletilmelidir (2 bölgesi).

1.4 Teknik Özellikler

TEKNİK ÖZELLİKLER	BİRİM	ID 250E
Şebeke Gerilimi (3-Faz 50-60 Hz)	V	400
Şebekeden Çekilen Güç	kVA	12.7
Kaynak Akım Ayar Sahası	ADC	5 - 250
Anma Kaynak Akımı (%35)	ADC	250
Açık Devre Gerilimi	VDC	75
Kaynak Elektrod Çapı Aralığı	mm	1.60 - 5.00
Boyutlar (u x g x y)	mm	491 x 160 x 311
Ağırlık	kg	10.75
Koruma Sınıfı		IP 21S

1.5 Aksesuarlar

STANDART AKSESUARLAR	ADET	ÜRÜN KODU
Topraklama Pensesi ve Kablosu	1	7905212503 (25 mm ² - 3 m)
Elektrod Pensesi ve Kablosu	1	7906202503 (25 mm ² - 3 m)
OPSİYONEL AKSESUARLAR	ADET	ÜRÜN KODU
Taşıma Arabası	1	7900000600
Raf (4'lü dikey)	1	7900000804
Raf (6'lü dikey)	1	7900000807
Raf (9'lü dikey)	1	7900000809
Lava TIG 20V (4 m) TIG Torcu	1	7111020004
Lava TIG 20V (8 m) TIG Torcu	1	7111020008

KURULUM BİLGİLERİ

2.1 Teslim Alırken Dikkat Edilecek Hususlar

Sipariş ettiğiniz tüm malzemelerin gelmiş olduğundan emin olun. Herhangi bir malzemenin eksik veya hasarlı olması halinde derhal aldığınız yer ile temasa geçin.

Standart kutu şunları içermektedir :

- Ana makine ve ona bağlı şebeke kablosu
- Topraklama pensesi ve kablosu
- Elektrod pensesi ve kablosu
- Garanti belgesi
- Kullanım kılavuzu

Hasarlı teslimat halinde tutanak tutun, hasarın resmini çekin, irsaliyenin fotokopisi ile birlikte nakliyeciyi firmaya bildirin. Sorunun devam etmesi halinde müşteri hizmetleri ile irtibata geçin.

Cihaz üzerindeki sembol ve anlamları



Kaynak yapma işlemi tehlike içermektedir. Uygun çalışma koşulları sağlanmalı ve gerekli önlemler alınmalıdır. Uzman kişiler makinede sorumlu olup, gerekli donanımları sağlamalıdır. İlgili olmayan kişiler kaynak sahasından uzak tutulmalıdır.



Bu cihaz IEC 61000-3-12 uyumlu değildir. Evlerde kullanılan alçak gerilim şebekesine bağlanmak istenmesi durumunda, elektrik bağlantısını yapacak tesisatçının veya makineyi kullanacak kişinin, makinenin bağlanabilirliği konusunda bilgi sahibi olması gereklidir; bu durumda sorumluluk kullanıcıya aittir.



Cihaz üzerinde ve kullanım kılavuzunda bulunan güvenlik sembollerine ve uyarı notlarına dikkat edilmeli, etiketleri sökülmemelidir.



İzgaralar havalandırma amaçlıdır. Açıklıkların üzeri iyi bir soğutma sağlamak amacıyla örtülmemeli ve içeriye yabancı cisim sokulmamalıdır.

2.2 Kurulum ve Çalışma Tavsiyeleri

- Daha iyi performans için, makineyi çevresindeki nesnelere en az 30 cm uzağa yerleştirin. Makine çevresindeki aşırı ısınma, toz ve neme dikkat edin. Makineyi direk güneş ışığı altında çalıştırmayın. Ortam sıcaklığının 40°C aştığı durumlarda, makineyi daha düşük akımda ya da daha çevrim oranında çalıştırın.
- Dış mekanlarda rüzgar ve yağmur varken kaynak yapmaktan kaçınınız. Bu tür durumlarda kaynak yapmak zorunluysa, kaynak bölgesini ve kaynak makinesini perde ve tenteye koruyun.
- Makineyi konumlandırırken duvar, perde, pano gibi materyallerin makinenin kontrol ve bağlantılarına kolay erişimi engellemediğinden emin olun.
- İçeride kaynak yapıyorsanız, uygun bir duman emme sistemi kullanın. Kapalı mekanlarda kaynak dumanı ve gazı soluma riski varsa, solunum aparatları kullanın.
- Ürün etiketinde belirtilen çalışma çevrimi oranlarına uyun. Çalışma çevrimi oranlarını sıklıkla aşmak, makineye hasar verebilir ve bu durum garantiyi geçersiz kılabilir.
- Belirtilen sigorta değerine uygun beslenme kablosu kullanılmalıdır.
- Toprak kablosunun kaynak bölgesinin olabildiğince yakınına sıkıca bağlayın. Kaynak akımının kaynak kabloları dışındaki ekipmanlar üzerinden geçmesine izin vermeyin.
- Çalışma sırasında kaynak kabloları ve şebeke kablosu makine gövdesine sarılı olmamalıdır.

2.3 Elektrik Fişi Bağlantısı



Güvenliğiniz için, makinenin şebeke kablosunu kesinlikle fişsiz kullanmayın.

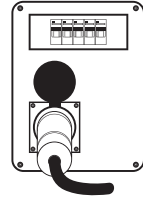
- Fabrika, şantiye ve atölyelerde farklı prizler bulunabileceği için şebeke kablosuna bir fiş bağlanmamıştır. Prize uygun bir fiş, kalifiye bir elektrikçi tarafından bağlanmalıdır.
- Fişi kabloya bağladıktan sonra, bu aşamada prize takmayın.

2.4 Şebekeye Bağlama



Fişi prize takarken, makinenin açma kapama anahtarının "0" konumunda olduğundan emin olun.

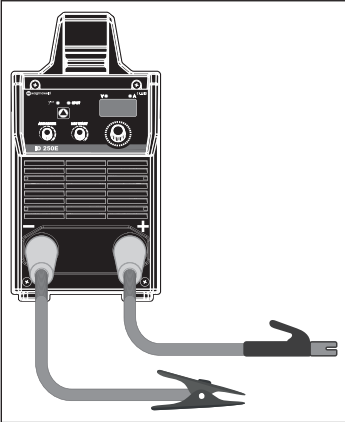
- Makineyi şebekeye bağlamadan önce 3 fazlı bir voltmetre ile kontrol edin. Her faz arasının 400V ($\pm 40V$) olduğunu tespit ettikten sonra fişi prize takın.
- Açma/Kapama anahtarı ile makineyi çalıştırın.
- Fan sesini duyduktan ve voltmetre ile ampermetrenin ışığının yandığını gördükten sonra anahtarı tekrar "0" konumuna getirerek makineyi kapatın.



Şekil 2 : Şebeke Bağlantısı

2.5 Örtülü Elektrod Kaynağı İçin Bağlantılar

- Kaynak ve topraklama kablolarını kullanılacak elektroda ve elektrodun üreticisinin tavsiye ettiği kutuplara göre kaynak ve toprak kablosu soketlerine takip saat yönünde çevirerek sıkın.
- Toprak pensesini kaynak bölgesine olabildiğince yakın olacak şekilde iş parçasına bağlayın.



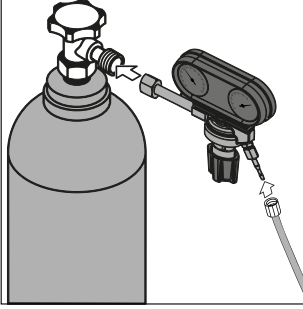
Aşağıdaki tablo alaşimsız çeliklerin amper ayarı için referans olarak verilmiştir. Lütfen elektrod üreticisinin tavsiyelerine uyunuz.

Çap (mm)	Tavsiye Edilen Kaynak Akımı	
	Rutil	Bazik
2.0	40-60 A	-
2.5	60-90 A	60-90 A
3.25	100-140 A	100-130 A
4.0	140-180 A	140-180 A
5.0	200-240 A	200-250 A

Şekil 3 : Örtülü Elektrod Kaynağı Bağlantıları

2.6 TIG Kaynağı İçin Bağlantılar

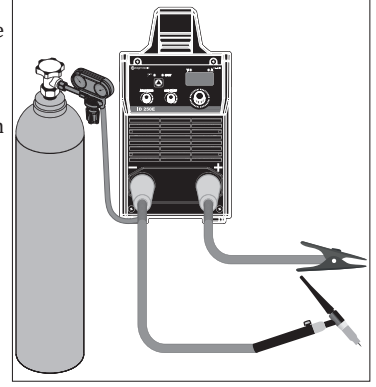
- Gaz valfli bir TIG torcu kullanılmalıdır.
- TIG torcunun güç kablosunu eksi kutuplu sokete bağlayın ve topraklama kablosunun artı kutuplu sokete bağlayın.
- Argon gaz regülatörünü argon gaz tüpüne bağlayın.
- Torcun gaz hortumunu gaz regülatörüne bağlayın.
- Gaz tüpü vanasını bir süre açık tutarak, olası tortu ve partiküllerin dışarı atılmasını sağlayın.



Şekil 4 : Gaz Tüpü Bağlantısı

Aşağıdaki tablo yaklaşık değerleri göstermektedir ;

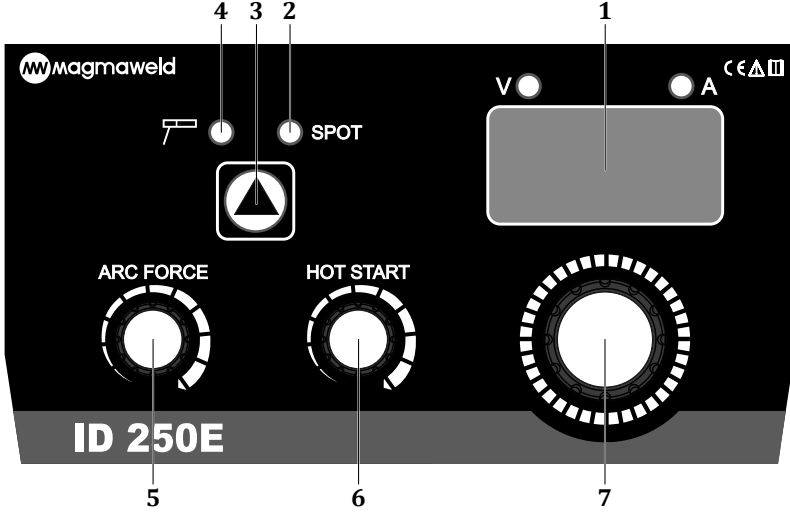
Elektrod Çapı (mm)	Nozul Çapı (mm)	Kaynak Akımı (ADC)	Gaz Debisi (lt / dak)
1.0	6.3	15 - 70	6 - 8
1.6	9.5	30 - 150	6 - 8



Şekil 5 : TIG Kaynağı Bağlantısı

KULLANIM BİLGİLERİ

3.1 Kullanıcı Arayüzü



1-) DİJİTAL GÖSTERGE

- Kaynak akımı, kaynak voltajı ve diğer parametreler izlenebilir.

2-) SPOT KAYNAĞI MODU

- Kaynak modu seçim butonu kullanılarak SPOT (Punta) modu seçilir, bu mod seçildiğinde ledi yanacaktır.
- Kısa kaynak çalışmaları yapan kullanıcılar için geliştirilmiştir.
- Kaynak boyunun (kopma) daha kısa olması istenildiğinde bu mod seçilmelidir.

3-) KAYNAK MODU SEÇİM BUTONU

- MMA - SPOT kaynak modlarından birini seçmek için kullanılır. Butona 1 kez basılarak diğer kaynak moduna geçiş sağlanır. Hangi mod seçili ise o modun ledi yanacaktır.

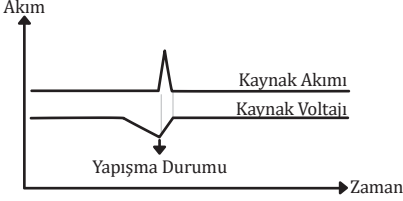
4-) MMA MODU

- Kaynak modu seçim butonu kullanılarak MMA modu seçilir, bu mod seçili olduğunda ledi yanacaktır.
- Rutil ve bazik elektrod kaynağı yapılmak istenildiğinde MMA modu seçilmelidir.

5-) ARC FORCE DÜĞMESİ

Arc Force, kaynak yapılan elektrodun yapışma eğilimine gitmesi durumunda kaynak voltajını referans alarak kaynak akımını yükseltir ve ark kesintisini engeller. Pot yardımı ile 0 - 100 % arasında ayarlanır. Ayarlanan değer makinenin maksimum akımını geçemez.

Örneğin ; Ana akım 150 A olup Arc Force % 100 olarak ayarlanırsa makinenin akımı 300 A olamaz, makinenin maksimum akımı olan 250 A olacaktır.



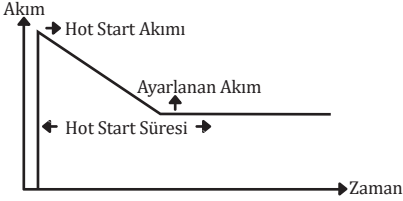
6-) HOT START AYARI

Elektrod kaynağına başlarken, elektrodun daha kolay tutuşturulması istenildiğinde Hot Start fonksiyonu ile ayarlanan kaynak akımının 2 katına kadar 1 sn. boyunca yüksek akım verilir.

İlk kaynak anında, ayarlanan "Hot Start" değeri ana akım yüzdesi kadar ana akım üzerine eklenir.

Ayarlanan değer makinenin maksimum akımını geçemez.

Örneğin ; Ana akım 150 A olup Hot start %100 olarak ayarlanırsa makinenin akımı 300 A olamaz, makinenin maksimum akımı olan 250 A olacaktır. "Hot Start" süresi sonunda çıkış akımı ayarlanan akıma döner ve kolay tutuşma sağlanır.



7-) AKIM AYAR POTU

- Akım ayar potu sağa sola çevrilerek tüm kaynak modlarında 5 - 250 A arasında kaynak akımı ayarlanır.
- Ayarlanan değer dijital göstergede izlenir.
- Akım ayar düğmesi üzerine basarak kaynak anında ya da boştayken akım ve gerilim değerleri arasında geçiş yapabilirsiniz.



BAKIM VE ARIZA BİLGİLERİ

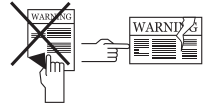
- Makineye yapılacak bakım ve onarımların mutlaka yetkin kişiler tarafından yapılması gerekmektedir. Yetkisiz kişiler tarafından yapılacak müdahaleler sonucu oluşacak kazalardan firmamız sorumlu değildir.
- Onarım esnasında kullanılacak parçaları yetkili servislerimizden temin edebilirsiniz. Orjinal yedek parça kullanımı makinenizin ömrünü uzatacağı gibi performans kayıplarını engeller.
- Her zaman üreticiye veya üretici tarafından belirtilen yetkili bir servise başvurun.
- Garanti süresi içerisinde üretici tarafından yetkilendirilmemiş herhangi bir girişiminde tüm garanti hükümleri geçersiz olacaktır.
- Geçerli güvenlik kurallarına bakım onarım işlemleri sırasında mutlaka uyunuz.
- Tamir için makinenin herhangi bir işlem yapılmadan önce, makinenin elektrik fişini şebekeden ayırınız ve kondansatörlerin boşalması için 10 saniye bekleyiniz.

4.1 Bakım



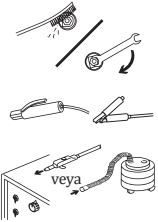
Günlük Bakım

- Cihaz üzerindeki uyarı etiketlerini sökmeyiniz. Yıpranmış / yırtılmış etiketleri yenisi ile değiştiriniz. Etiketleri yetkili servisten temin edebilirsiniz.
- Torcun, penselerin ve kablolarınızın kontrolünü yapınız. Parçaların bağlantılarına ve sağlamlığına dikkat ediniz. Hasar görmüş / arızalı parçaları yenisi ile değiştiriniz. Kablolara ek / onarım kesinlikle yapmayınız.
- Havalandırma için yeterli alan olduğuna emin olunuz.
- Kaynağa başlamadan önce torcun ucundan çıkan gaz debisini debimetre ile kontrol ediniz. Gazın debisi yüksek veya düşük ise yapılacak kaynağa uygun seviyeye getiriniz.



6 Ayda Bir

- Civata, somun gibi birleştirici parçaları temizleyiniz ve sıkıştırınız.
- Elektrod pensesi ve toprak pensesi kablolarını kontrol ediniz.
- Makinenin yan kapaklarını açarak düşük basınçlı kuru hava ile temizleyiniz. Elektronik parçalara yakın mesafeden basınçlı hava uygulamayınız.
- Makinenin elektrik besleme fişinin bağlandığı prizi kontrol ediniz. Prizin enerji kablosu bağlantı noktalarında gevşeklik var ise gideriniz. Prizin yuvalarında ark veya genişleme var ise yenisi ile değiştiriniz.
- Makinenin elektrik besleme fişini kontrol ediniz. Elektrik fişinin içindeki kablo bağlantı noktalarında gevşeklik var ise gideriniz. Fişin uçlarında ark veya deformasyon var ise yenisi ile değiştiriniz.



NOT: Yukarıda belirtilen süreler, cihazınızda hiçbir sorunla karşılaşmaması durumunda uygulanması gereken maksimum periyotlardır. Çalışma ortamınızın yoğunluğuna ve kirliliğine göre yukarıda belirtilen işlemleri daha sık aralıklarla tekrarlayabilirsiniz.

4.2 Hata Giderme

Aşağıdaki tablolarda karşılaşılan olası hatalar ve çözüm önerileri bulunmaktadır.

Hata	Çözüm
Makine hiç çalışmıyor	<ul style="list-style-type: none">• Makinenin elektriğe bağlı olduğundan emin olunuz• Şebeke bağlantılarının doğru olduğunu kontrol ediniz• Şebeke besleme sigortalarını, şebeke kablosunu ve fişini kontrol ediniz• Açma kapama anahtarını kontrol ediniz• Tüm kontrolleri yaptığınız halde sorun devam ediyor ise yetkili servis ile iletişime geçiniz
Makine kötü kaynak yapıyor	<ul style="list-style-type: none">• Makinenin topraklama pensesinin iş parçasına bağlı olduğundan emin olunuz• Kabloların sağlamlığından ve bağlantı noktalarının aşınmamış olduğundan emin olunuz• Parametre ve proses seçiminin doğru olduğundan emin olunuz• Seçtiğiniz prosese göre aşağıdaki adımları uygulayınız :<ol style="list-style-type: none">1- Elektrodun bağlı olması gereken kutubu ve makinede ayarlanması gereken akım değerini kontrol ediniz2- Gaz akışının açık olduğunu kontrol ediniz, akışın doğru olduğundan emin olunuz3- Tungsten ucun temiz olduğundan emin olunuz4- Kaynak torcunun sağlamlığından emin olunuz5- Tüm kontrolleri yaptığınız halde sorun devam ediyor ise yetkili servis ile iletişime geçiniz

4.3 Hata Kodları

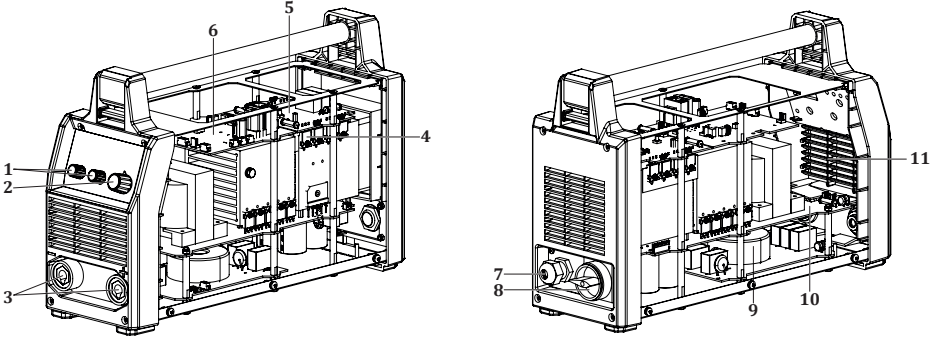
Hata Kodu	Hata	Neden	Çözüm
E01	Termal Koruma (Birincil)	<ul style="list-style-type: none"> Makinenizin devrede kalma oranı aşmış olabilir 	<ul style="list-style-type: none"> Bir süre bekleyerek makinenin soğumasını sağlayınız . Arıza ortadan kalkıyor ise daha düşük amper değerlerinde kullanmaya çalışınız Sorun devam ediyorsa yetkili servis ile iletişime geçiniz
		<ul style="list-style-type: none"> Fan çalışmıyor olabilir 	<ul style="list-style-type: none"> Fanın çalışıp çalışmadığını göz ile kontrol ediniz Sorun devam ediyorsa yetkili servis ile iletişime geçiniz
		<ul style="list-style-type: none"> Hava giriş-çıkış kanallarının önü kapanmış olabilir 	<ul style="list-style-type: none"> Hava kanallarının önünü açınız Sorun devam ediyorsa yetkili servis ile iletişime geçiniz
		<ul style="list-style-type: none"> Makine çalışma ortamı aşırı sıcak ya da havasız olabilir 	<ul style="list-style-type: none"> Makine çalışma ortamının aşırı sıcak ya da havasız olmadığından emin olunuz Sorun devam ediyorsa yetkili servis ile iletişime geçiniz
E02	Şebeke Voltajı Düşük	<ul style="list-style-type: none"> Şebeke voltajı düşmüş olabilir 	<ul style="list-style-type: none"> Şebeke bağlantı kablolarını ve voltajını kontrol ediniz. Doğru voltaj girişi sağlandığından emin olunuz. Şebeke voltajı normal ise yetkili servis ile iletişime geçiniz
E03	Şebeke Voltajı Yüksek	<ul style="list-style-type: none"> Şebeke voltajı yükselmiş olabilir 	<ul style="list-style-type: none"> Şebeke bağlantı kablolarını ve voltajını kontrol ediniz. Doğru voltaj girişi sağlandığından emin olunuz. Şebeke voltajı normal ise yetkili servis ile iletişime geçiniz
E04	Akım / Voltaj Okuma Hatası	<ul style="list-style-type: none"> Donanımsal hata olabilir 	<ul style="list-style-type: none"> Yetkili servis ile iletişime geçiniz
E05	Sıcaklık Sensörü Okuma Hatası	<ul style="list-style-type: none"> Donanımsal hata olabilir 	<ul style="list-style-type: none"> Yetkili servis ile iletişime geçiniz
E06	Su Soğutma Ünitesi Hatası	<ul style="list-style-type: none"> Su soğutma ünitesinde hata olabilir 	<ul style="list-style-type: none"> Su soğutma ünitesi konektörü ve torç giriş / çıkışlarını kontrol edin Su sirkülasyonu sağlandığından emin olun Sorun devam ediyorsa yetkili servis ile iletişime geçiniz
E07	Sistem Hatası	<ul style="list-style-type: none"> Donanımsal hata olabilir 	<ul style="list-style-type: none"> Yetkili servis ile iletişime geçiniz
E08			
E09			
E10	Torç Bağlantı Hatası	<ul style="list-style-type: none"> Torçta ve torç bağlantılarında hata olabilir 	<ul style="list-style-type: none"> Torç ve torç bağlantılarını kontrol edin Sorun devam ediyorsa yetkili servis ile iletişime geçiniz
E11	Sistem Hatası	<ul style="list-style-type: none"> Donanımsal hata olabilir 	<ul style="list-style-type: none"> Yetkili servis ile iletişime geçiniz
E12			
E13	Tel Sürme Ünitesi Hatası	<ul style="list-style-type: none"> Tel sürmede hata olabilir 	<ul style="list-style-type: none"> Tel sepeti, makara / makara baskısı ve torç bağlantılarını kontrol edin Sorun devam ediyorsa yetkili servis ile iletişime geçiniz

Hata Kodu	Hata	Neden	Çözüm
E14	Sistem Hatası	• Donanımsal hata olabilir	• Yetkili servis ile iletişime geçiniz
E15	Uzaktan Kumanda Haberleşme Hatası	• Uzaktan kumanda bağlantılarında hata olabilir	• Uzaktan kumanda bağlantılarını kontrol edin • Sorun devam ediyorsa yetkili servis ile iletişime geçiniz
E16	Sistem Hatası	• Donanımsal hata olabilir	• Yetkili servis ile iletişime geçiniz
E17			
E18			
E19			
E20	Sistem Hatası	• Donanımsal hata olabilir	• Yetkili servis ile iletişime geçiniz
E21			
E22			
E23			
E26	Giriş Basıncı Yüksek	• Giriş basıncı yükselmiş olabilir	• Hava / gaz bağlantılarınızı kontrol ediniz giriş basıncının uygun olduğundan emin olunuz giriş basıncı normal ise yetkili servis ile iletişime geçiniz
E27	Torç Muhafazası Takılı Değil	• Torç muhafazası takılmamış, yerine oturmamış olabilir	• Torç muhafazasının doğru şekilde takıldığından emin olunuz • Sorun devam ediyorsa yetkili servis ile iletişime geçiniz
E28	Sistem Hatası	• Donanımsal hata olabilir	• Yetkili servis ile iletişime geçiniz
E29	DC Bara Voltajı Düşük	• Şebeke voltajı düşmüş olabilir	• Şebeke bağlantı kablolarını ve voltajını kontrol ediniz. Doğru voltaj girişi sağlandığından emin olunuz. Şebeke voltajı normal ise yetkili servis ile iletişime geçiniz
E30	DC Bara Voltajı Yüksek	• Şebeke voltajı yükselmiş olabilir	• Şebeke bağlantı kablolarını ve voltajını kontrol ediniz. Doğru voltaj girişi sağlandığından emin olunuz. Şebeke voltajı normal ise yetkili servis ile iletişime geçiniz
E31	Sistem Hatası	• Donanımsal hata olabilir	• Yetkili servis ile iletişime geçiniz

EKLER

5.1 Yedek Parça Listesi

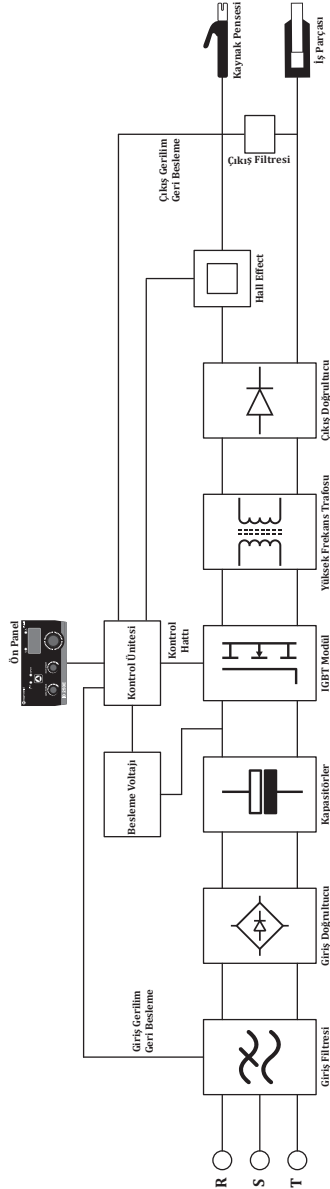
TR



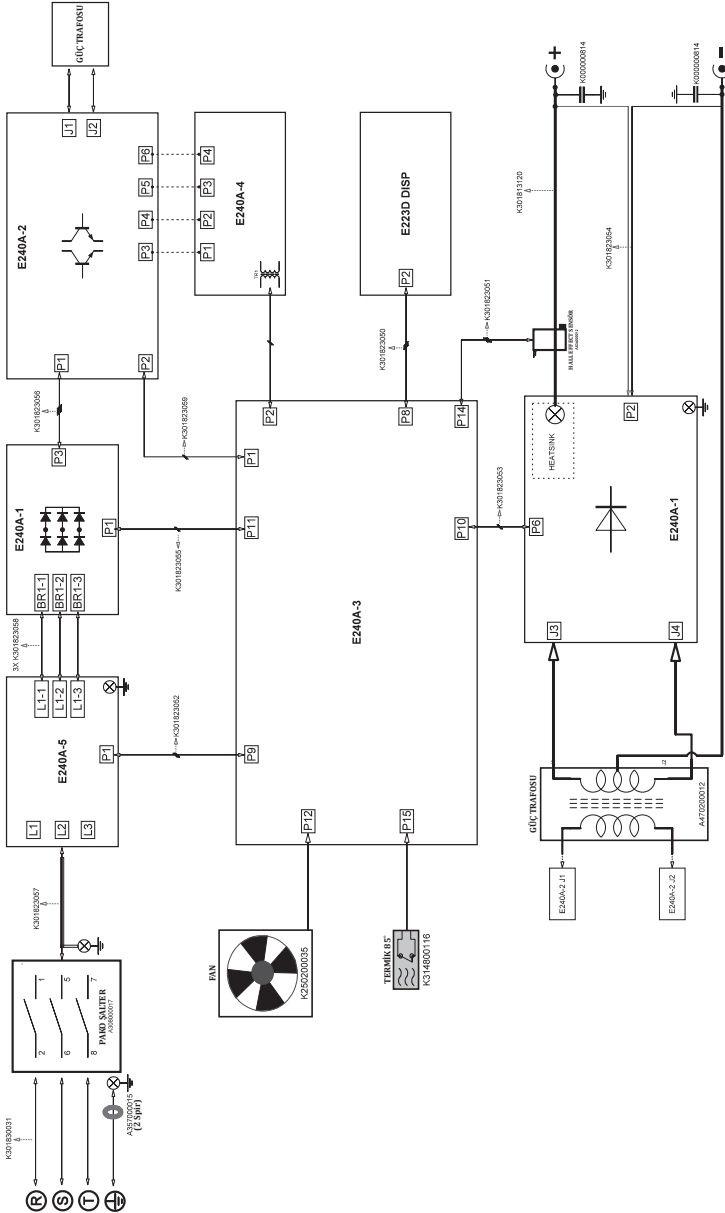
NO	TANIM	ID 250E
1	Potans Düğmesi	A229500004
2	Potans Düğmesi - Küçük	A229500001
3	Kaynak Prizi	A377900104
4	Elektronik Kart E240A-2 V1.0	K405000342
5	Elektronik Kart E240A-4 V1.0	K405000344
6	Elektronik Kart E240A-3 V1.0	Y504000042
7	Pako Şalter	A308000017
8	Plastik Rakor	A376400016
9	Elektronik Kart E240A-5 V1.0	K405000346
10	Elektronik Kart E240A-1 V1.0	K405000341
11	Elektronik Kart E223D DISP	Y504000043

5.2 Bağlantı Şemaları

Blok Diyagram



Devre Şeması



MALIN

Modeli

Seri Numarası

İMALATÇI / İTHALATÇI FİRMANIN

Ünvanı

MAGMA MEKATRONİK MAKİNE SANAYİ VE TİCARET A.Ş.

Adresi

Organize Sanayi Bölgesi 5. Kısım MANİSA

Telefonu / E - Postası

+90 236 226 27 00 / info@magmaweld.com

SATICI FİRMANIN

Ünvanı

Adresi

Telefonu / E-Postası

Fatura Tarihi ve No.

ALICININ

Ünvanı

Adresi

Telefonu / E - Postası

Teslim Alanın Adı Soyadı

KURULUMU YAPAN SERVİSİN

Ünvanı

Teknisyenin Adı Soyadı

Devreye Alma Tarihi
(Garanti Başlama Tarihi)

Garanti Şartları için www.magmaweld.com.tr/garanti-sartlari/wt web sitemizi ziyaret ediniz.



ЕВРАЗИЙСКИЙ ЭКОНОМИЧЕСКИЙ СОЮЗ ДЕКЛАРАЦИЯ О СООТВЕТСТВИИ

Заявитель Общество с ограниченной ответственностью "МАГМАВЭЛД СПб"

Место нахождения и адрес места осуществления деятельности: 191124, Россия, город Санкт-Петербург, улица Ставропольская, Дом 10, Литера А, Помещение 217

Основной государственный регистрационный номер 1187847141503.

Телефон: +78123317470 Адрес электронной почты: magmaweld@inbox.ru

в лице Генерального директора Гавшинского Андрея Львовича

заявляет, что Оборудование для сварки и газотермического напыления: аппараты для дуговой сварки модели:

MINISTICK, MINISTICK DELUXE, MEGASTICK, MEGASTICK DELUXE, ID 800E, MONOSTICK 165i, MONOSTICK 200i, PROSTICK 200i, ID 250 E, ID 300 E, ID 350 E, ID 400 E, RD 500 E, RD 650 E, GL 451, TD 355, GL 600, ID 250E BASIC, MONOTIG 160i BASIC, MONOTIG 160i, MONOTIG 200i, MONOTIG 160ip, MONOTIG 220ip, MONOTIG 220ip AC/DC, ID 250 T DC, ID 300 T DC, ID 250 T DC PULSE, ID 300 T DC PULSE, ID 250 TW DC, ID 300 TW DC, ID 250 TW DC PULSE, ID 300 TW DC PULSE, ID 300 T AC/DC PULSE, ID 300 TW AC/DC PULSE, ID 500TW DC PULSE, ID 500TW AC/DC PULSE, MONOMIG 200ik, ID 300 M, MEGAMIG, ID 65 PCA, ID 65 PCB, ID 300 M SMART, ID 300 M PULSE SMART, ID 300 M EXPERT, ID 300 M PULSE EXPERT, ID 300 MW SMART, ID 300 MW PULSE SMART, ID 300 MW EXPERT, ID 300 MW PULSE EXPERT, ID 400 M SMART, ID 400 M PULSE SMART, ID 400 M EXPERT, ID 400 M PULSE EXPERT, ID 400 MW SMART, ID 400 MW PULSE SMART, ID 400 MW EXPERT, ID 400 MW PULSE EXPERT, ID 500 M SMART, ID 500 M PULSE SMART, ID 500 M EXPERT, ID 500 M PULSE EXPERT, ID 500 MW SMART, ID 500 MW PULSE SMART, ID 500 MW EXPERT, ID 500 MW PULSE EXPERT, ID 300 MK SMART, ID 300 MK PULSE SMART, ID 300 MK EXPERT, ID 300 MK PULSE EXPERT, ID 300 MKW SMART, ID 300 MKW PULSE SMART, ID 300 MKW EXPERT, ID 300 MKW PULSE EXPERT, ID 400 MK SMART, ID 400 MK PULSE SMART, ID 400 MK EXPERT, ID 400 MK PULSE EXPERT, ID 400 MKW SMART, ID 400 MKW PULSE SMART, ID 400 MKW EXPERT, ID 400 MKW PULSE EXPERT, RS 200 MK, RS 250 M, RS 250 MK, RS 300 M, RS 300 MK, RS 350 M, RS 350 M PRO, RS 350MK PRO, RS 350MW PRO, RS 350 MW, RS 350 MK, RS 400 M, RS 400 MW, RS 400 MK, RS 450M PRO, RS 450 MW PRO, RS 500 M, RS 500 MW, RS 550 M PRO, RS 550 MW PRO, RD 650 MW.

Изготовитель "Magma Mekatronik Makine Sanayi ve Ticaret A.S."

Место нахождения и адрес места осуществления деятельности по изготовлению продукции: Турция, Organize Sanayi Bölgesi, 5.Kisim, 45030 Manisa

Филиал: "MAGMAWELD ULUSLARARASI TICARET A.S." Турция, Dereboyu Cad. Bilim Sok. Sun Plaza 5/7 Maslak, 34398 Istanbul Продукция изготовлена в соответствии с Директивой 2014/35/EU

"Низковольтное оборудование", Директивой 2014/30/EU "Электромагнитная совместимость", Директивой 2006/42/ЕС "Безопасность машин и оборудования".

Код (коды) ТН ВЭД ЕАЭС: 8515391800

Серийный выпуск.

соответствует требованиям

Технического регламента Таможенного союза ТР ТС 004/2011 "О безопасности низковольтного оборудования"

Технического регламента Таможенного союза ТР ТС 010/2011 "О безопасности машин и оборудования"

Технического регламента Таможенного союза ТР ТС 020/2011 "Электромагнитная совместимость технических средств"

Декларация о соответствии принята на основании

Протокола испытаний № 00501/ТС/072021 от 07.07.2021 года, выданного Испытательной лабораторией ООО «ТЕХНОСИИ» (регистрационный номер аттестата аккредитации RU.SSK4.04ЕЛКО)

Схема декларирования соответствия: Id

Дополнительная информация

Условия хранения: продукция хранится в сухих, проветриваемых складских помещениях при температуре от 0 °С до +30 °С, при относительной влажности воздуха не более 80 %. Срок хранения: изготовителем не установлен. **Срок службы: 5 лет.**

Декларация о соответствии действительна с даты регистрации по 11.07.2024 включительно


(подпись)

Гавшинский Андрей Львович

(Ф.И.О. заявителя)

Регистрационный номер декларации о соответствии: ЕАЭС N RU Д-TR.PA01B.00558/21

Дата регистрации декларации о соответствии: 14.07.2021







YETKİLİ SERVİSLER

MERKEZ SERVİS

Organize Sanayi Bölgesi, 5. Kısım 45030 MANİSA

Telefon : 444 93 53

E-Posta : info@magmaweld.com

YETKİLİ SERVİSLER



Güncel servis listemiz için www.magmaweld.com.tr/servis-listesi web sitemizi ziyaret ediniz.

Magma Mekatronik Makine Sanayi ve Ticaret A.Ş.
Organize Sanayi Bölgesi, 5. Kısım 45030 Manisa, TÜRKİYE

01.01.2023
UM_IDE250_092022_012023_002_108



(+90) 444 93 53
magmaweld.com
info@magmaweld.com