



## USER MANUAL

### *monoSTICK 200i*



*All rights reserved. It is prohibited to reproduce this documentation, or any part thereof, without the prior written authorisation of Magma Mekatronik Makine Sanayi ve Ticaret A.Ş.*  
*Magma Mekatronik may modify the information and the images without any prior notice.*  
*Tüm hakları saklıdır. Magma Mekatronik Makine Sanayi ve Ticaret A.Ş.'nin yazılı izni olmaksızın bu dokümanın tamamının ya da bir bölümünün kopyalanması yasaktır.*  
*Magma Mekatronik önceden haber vermeksizin bilgilerde ve resimlerde değişiklik yapılabilir.*

DC WELDING INVERTER

EN

СВАРОЧНЫЙ ИНВЕРТОР DC

RU

DC KAYNAK İNVERTÖRÜ

TR



EN 60974-1

EN 60974 -10





# CONTENTS

SAFETY PRECAUTIONS	5
<b>1 TECHNICAL INFORMATION</b>	
1.1 General Information	11
1.2 Machine Components	11
1.3 Product Label	12
1.4 Technical Data	13
1.5 Accessories	13
<b>2 INSTALLATION</b>	
2.1 Delivery Control	14
2.2 Installation and Operation Recommendations	14
2.3 Connections for MMA Welding	15
2.4 Connections for TIG Welding	15
<b>3 MAINTENANCE AND SERVICE</b>	
3.1 Maintenance	16
3.2 Troubleshooting	17
<b>4 ANNEX</b>	
4.1 Spare Parts List	18
4.2 Connection Diagrams	19

## SAFETY PRECAUTIONS

*Be Sure To Follow All Safety Rules In This Manual!*

### Explanation Of Safety Information



- Safety symbols found in the manual are used to identify potential hazards.
- When any one of the safety symbols are seen in this manual, it must be understood that there is a risk of injury and the following instructions should be read carefully to avoid potential hazards.
- The possessor of the machine is responsible for preventing unauthorized persons from accessing the equipment.
- Persons using the machine must be experienced or fully trained in welding / cutting they have to read the user manual before operation and follow the safety instructions.

### Explanation Of Safety Symbols



#### ATTENTION

Indicates a potentially hazardous situation that could cause injury or damage. In case if no precaution is taken, it may cause injuries or material losses / damages.



#### IMPORTANT

Specifies notifications and alerts on how to operate the machine.



#### DANGER

Indicates a serious danger. In case if not avoided, severe or fatal injuries may occur.

### Comprehending Safety Precautions



- Read the user manual, the label on the machine and the safety instructions carefully.
- Make sure that the warning labels on the machine are in good condition. Replace missing and damaged labels.
- Learn how to operate the machine, how to make the checks in a correct manner.
- Use your machine in suitable working environments.
- Improper changes made in your machine will negatively affect the safe operation and its longevity.
- The manufacturer is not responsible for the consequences resulting from the operation of the device beyond the specified conditions.

### Electric Shocks May Kill



*Make certain that the installation procedures comply with national electrical standards and other relevant regulations, and ensure that the machine is installed by authorized persons.*

- Wear dry and sturdy insulated gloves and working apron. Never use wet or damaged gloves and working aprons.
- Wear flame-resistant protective clothing against the risk of burning. The clothing used by the operator must be protective against sparks, splashing and arc radiation.
- Do not work alone. In case of a danger make sure you have someone for help in your working environment.
- Do not touch the electrode with the bare hand. Do not allow the electrode holder or electrode to come in contact with any other person or any grounded object.
- Never touch parts that carry electricity.
- Never touch the electrode if you are in contact with the electrode attached to the work surface, floor or another machine.
- By isolating yourself from the work surface and the floor, you can protect yourself from possible electric shocks. Use a non-flammable, electrically insulating, dry and undamaged insulation material that is large enough to cut off the operator's contact with the work surface.
- Do not connect more than one electrode to the electrode holder.
- Clamp work cable with good metal-to-metal contact to workpiece or worktable as near the weld as practical.
- Check the torch before operating the machine. Make sure the torch and its cables are in good condition. Always replace a damaged, worn torch.
- Do not touch electrode holders connected to two machines at the same time since double open-circuit voltage will be present.
- Keep the machine turned off and disconnect cables when not in use.
- Before repairing the machine, remove all power connections and / or connector plugs or turn off the machine.
- Be careful when using a long mains cable.

- Make sure all connections are tight, clean, and dry.
  - Keep cables dry, free of oil and grease, and protected from hot metal and sparks.
  - Bare wiring can kill. Check all cables frequently for possible damage. If a damaged or an uninsulated cable is detected, repair or replace it immediately.
  - Insulate work clamp when not connected to workpiece to prevent contact with any metal object.
  - Make sure that the grounding of the power line is properly connected.
  - Do not use AC weld output in damp, wet, or confined spaces, or if there is a danger of falling.
  - Use AC output ONLY if required for the welding process.
  - If AC output is required, use remote output control if present on unit.
- Additional safety precautions are required when any of the following electrically hazardous conditions are present :**
- in damp locations or while wearing wet clothing,
  - on metal structures such as floors, gratings, or scaffolds,
  - when in cramped positions such as sitting, kneeling, or lying,
  - when there is a high risk of unavoidable or accidental contact with the workpiece or ground.
- For these conditions, use the following equipment in order presented:
- Semiautomatic DC constant voltage (CV) MIG welding machine,
  - DC manual MMA welding machine,
  - DC or AC welding machine with reduced open-circuit voltage (VRD), if available.

#### Procedures for Electric Shock



- Turn off the electric power.
- Use non-conducting material, such as dry wood, to free the victim from contact with live parts or wires.
- Call for emergency services.

#### If you have first aid training;

- If the victim is not breathing, Administer cardiopulmonary resuscitation (CPR) immediately after breaking contact with the electrical source. Continue CPR (cardiac massage) until breathing starts or until help arrives.
- Where an automatic electronic defibrillator (AED) is available, use according to instructions.
- Treat an electrical burn as a thermal burn by applying sterile, cold (iced) compresses. Prevent contamination, and cover with a clean, dry dressing.

#### Moving Parts May Cause Injuries



- Keep away from the moving parts.
- Keep all protective devices such as covers, panels, flaps, etc., of machinery and equipment closed and in locked position.
- Wear metal toe shoes against the possibility of heavy objects falling on to your feet.

#### Fumes and Gases May Be Harmful To Your Health



*Long-term inhalation of fumes and gases released from welding / cutting is very dangerous.*

- Burning sensations and irritations in the eyes, nose and throat are signs of inadequate ventilation. In such a case, immediately boost the ventilation of the work area, and if the problem persists, stop the welding / cutting process completely.
- Create a natural or artificial ventilation system in the work area.
- Use a suitable fume extraction system where welding / cutting works are being carried out. If necessary, install a system that can expel fumes and gases accumulated in the entire workshop. Use a suitable filtration system to avoid polluting the environment during discharge.
- If you are working in narrow and confined spaces or if you are welding lead, beryllium, cadmium, zinc, coated or painted materials, use masks that provide fresh air in addition to the above precautions.
- If the gas tanks are grouped in a separate zone, ensure that they are well ventilated, keep the main valves closed when gas cylinders are not in use, pay attention to possible gas leaks.
- Shielding gases such as argon are denser than air and can be inhaled instead of air if used in confined spaces. This is dangerous for your health as well.
- Do not perform welding / cutting operations in the presence of chlorinated hydrocarbon vapors released during lubrication or painting operations.
- Some welded / cut parts require special ventilation. The safety rules of products that require special ventilation should be read carefully. A suitable gas mask should be worn when necessary.

**Arc Light May Damage Your Eyes and Skin**

- Use a standard protective mask and a suitable glass filter to protect your eyes and face.
- Protect other naked parts of your body (arms, neck, ears, etc.) with suitable protective clothing from these rays.
- Enclose your work area with flame-resistant folding screens and hang warning signs at eye level so that people around you will not sustain injuries from arc rays and hot metals.
- This machine is not used for heating of icebound pipes. This operation performed with the welding / cutting machine causes explosion, fire or damage to your installation.

**Sparks and Spattering Particles May Get Into Eyes and Cause Damage**

- Performing works such as welding / cutting, surface grinding, and brushing cause sparks and metal particles to splatter. Wear approved protective work goggles which have edge guards under the welding masks to prevent sustaining possible injuries.

**Hot Parts May Cause Severe Burns**

- Do not touch the hot parts with bare hands.
- Wait until the time required for the machine to cool down before working on its parts.
- If you need to hold hot parts, use suitable tools, welding / cutting gloves with high-level thermal insulation and fire-resistant clothes.

**Noise May Cause Damage To Your Hearing Ability**

- The noise generated by some equipment and operations may damage your hearing ability.
- Wear approved personal ear protective equipment if the noise level is high.

**Welding Wires Can Cause Injuries**

- Do not point the torch towards any part of the body, other persons, or any metal while unwrapping the welding / cutting wire.
- When welding wire is run manually from the roller especially in thin diameters the wire can slip out of your hand, like a spring or can cause damage to you or other people around, therefore you must protect your eyes and face while working on this.

**Welding Operations May Cause Fire and Explosion**

- Never perform welding / cutting work in places near flammable materials. There may be fire or explosions.
- Before starting the welding / cutting work, remove these materials from the environment or cover them with protective covers to prevent combustions and flaring.
- National and international special rules apply in these areas.
- Do not apply welding / cutting operations into completely closed tanks or pipes.
- Before welding to tanks and closed containers, open them, completely empty them, and clean them. Pay the greatest attention possible to the welding / cutting operations you will perform in such places.
- Do not weld in tanks and pipes which might have previously contained substances that may cause explosions, fires or other reactions.
- Welding / cutting equipment heats up. For this reason, do not place it on surfaces that could easily burn or be damaged !
- Sparks and splashing parts may cause a fire. For this reason, keep materials such as fire extinguishers tubes, water, and sand in easily accessible places.
- Use holding valves, gas regulators and valves on flammable, explosive and compressed gas circuits. Make sure that they are periodically inspected and pay attention that they run reliably.

**Maintenance Work Performed by Unauthorized Persons To Machines and Apparatus May Cause Injuries**

- Electrical equipment should not be repaired by unauthorized persons. Errors occurred if failed to do so may result in serious injury or death when using the equipment.
- The gas circuit elements operate under pressure; explosions may occur as a result of services provided by unauthorized persons, users may sustain serious injuries.
- It is recommended to perform technical maintenance of the machine and its auxiliary units at least once a year.

**Welding / Cutting in Small Sized and Confined Spaces**

- In small-sized and confined spaces, absolutely make sure to perform welding / cutting operations, accompanied by another person.
- Avoid performing welding / cutting operations in such enclosed areas as much as possible.

**Failure To Take Precautions During Transport May Cause Accidents**

- Take all necessary precautions when moving the machine. The areas where the machine to be transported, parts to be used in transportation and the physical conditions and health of the person carrying out the transportation works should be suitable for the transportation process.
- Some machines are extremely heavy; therefore, make sure that the necessary environmental safety measures are taken when changing their places.
- If the machine is to be used on a platform, it must be checked that this platform has suitable load bearing limits.
- If it is to be transported by means of a haulage vehicle (transport trolley, forklift etc.), make sure of the durability of the vehicle, and the connection points (carrying suspenders, straps, bolts, nuts, wheels, etc.) that connect the machine to this vehicle.
- If the machine will be carried manually, make sure the durability of the machine apparatuses (carrying suspenders, straps, etc.) and connections.
- Observe the International Labor Organization's rules on carriage weights and the transport regulations in force in your country in order to ensure the necessary transport conditions.
- Always use handles or carrying rings when relocating the power-supply sources. Never pull from torches, cables or hoses. Be absolutely sure to carry gas cylinders separately.
- Remove all interconnections before transporting the welding / cutting equipment, each being separately, lift and transport small ones using its handles, and the big ones from its handling rings or by using appropriate haulage equipment, such as forklifts.

**Falling Parts May Cause Injuries**

*Improper positioning of the power-supply sources or other equipment can cause serious injury to persons and physical damage to other objects.*

- Place your machine on the floor and platforms with a maximum tilt of 10° so that it does not fall or tip over. Choose places that do not interfere with the flow of materials, where there is no risk of tripping over on cables and hoses; yet, large, easily ventilatable, dust-free areas. To prevent gas cylinders from tipping over, on machines with a gas platform suitable for the tanks, fix the tanks on to the platform; in stationary usage applications, fix them to the wall with a chain in a way that they would not tip over for sure.
- Allow operators to easily access settings and connections on the machine.

**Excessive Use Of The Machine Causes Overheating**

- Allow the machine to cool down according to operation cycle rates.
- Reduce the current or operation cycle rate before starting the welding / cutting again.
- Do not block the fronts of air vents of the machines.
- Do not put filters that do not have manufacturer approvals into the machine's ventilation ports.

**Excessive Use Of The Machine Causes Overheating**

- This device is in group 2, class A in EMC tests according to TS EN 55011 standard.
- This class A device is not intended for use in residential areas where electrical power is supplied from a low-voltage power supply. There may be potential difficulties in providing electromagnetic compatibility due to radio frequency interference transmitted and emitted in such places.



This device is not compliant with IEC 61000 -3-12. In case if it is desired to be connected to the low voltage network used in the home, the installer to make the electrical connection or the person who will use the machine must be aware that the machine has been connected in such a manner; in this case the responsibility belongs to the user.

- Make sure that the work area complies with electromagnetic compatibility (EMC). Electromagnetic interferences during welding / cutting operations may cause undesired effects on your electronic devices and network; and the effects of these interferences that may occur during these operations are under the responsibility of the user.
- If there is any interference, to ensure compliance; extra measures may be taken, such as the use of short cables, use of shielded (armored) cables, transportation of the welding machine to another location, removal of cables from the affected device and / or area, use of filters or taking the work area under protection in terms of EMC.
- To avoid possible EMC damage, make sure to perform your welding / cutting operations as far away from your sensitive electronic devices as possible (100 m).



- Ensure that your welding and/or cutting machine has been installed and situated in its place according to the user manual.

**Evaluation Of Electromagnetic Suitability Of The Work Area**



**According to article 5.2 of IEC 60974-9;**

Before installing the welding / cutting equipment, the person in charge of the operation and / or the user must conduct an inspection of possible electromagnetic interference in the environment.

Aspects indicated below has to be taken into consideration;

- Other supply cables, control cables, signal and telephone cables, above and below the welding / cutting machine and its equipment,
- Radio and television transmitters and receivers,
- Computer and other control hardware,
- Critical safety equipment, e.g. protection of industrial equipment,
- Medical apparatus for people in the vicinity, e.g. pacemakers and hearing aids,
- Equipment used for measuring or calibration,
- Immunity of other equipment in the environment. The user must ensure that the other equipment in use in the environment is compatible. This may require additional protection measures.
- Considering the time during which the welding / cutting operations or other activities take place during the day, the boundaries of the investigation area can be expanded according to the size of the building, the structure of the building and other activities that are being performed in the building.

In addition to the evaluation of the field, evaluation of device installations may also be necessary for solving the interfering effect. In case if deemed necessary, on-site measurements can also be used to confirm the efficiency of mitigation measures.

(Source: IEC 60974-9).

**Electromagnetic Interference Reduction Methods**



- The appliance must be connected to the electricity supply in the recommended manner by a competent person. If interference occurs, additional measures may be applied, such as filtering the network. The supply of the fixed-mounted arc welding equipment must be made in a metal tube or with an equivalent shielded cable. The housing of the power supply must be connected and a good electrical contact between these two structures has to be provided.
- The recommended routine maintenance of the appliance must be carried out. All covers on the body of the machine must be closed and / or locked when the device is in use. Any changes, other than the standard settings without the written approval of the manufacturer, cannot be modified on the appliance. Otherwise, the user is responsible for any consequences that may possibly occur.
- Welding / cutting cables should be kept as short as possible. They must move along the floor of the work area, in a side by side manner. Welding / cutting cables should not be wound in any way.
- A magnetic field is generated on the machine during welding / cutting. This may cause the machine to pull metal parts on to itself. To avoid this attraction, make sure that the metal materials are at a safe distance or fixed. The operator must be insulated from all these interconnected metal materials.
- In cases where the workpiece cannot be connected to the ground due to electrical safety, or because of its size and position (for example, in building marine vessel bodies or in steel construction manufacturing), a connection between the workpiece and the grounding may reduce emissions in some cases, it should be kept in mind that grounding of the workpiece may cause users to sustain injuries or other electrical equipment in the environment to break down. In cases where necessary, the workpiece and the grounding connection can be made as a direct connection, but in some countries where direct connection is not permissible, the connection can be established using appropriate capacity elements in accordance with local regulations and ordinances.
- Screening and shielding of other devices and cables in the work area can prevent aliasing effects. Screening of the entire welding / cutting area can be evaluated for some specific applications.

**Electromagnetic Field (EMF)**



The electrical current passing through any conductor generates zonal electric and magnetic fields (EMF).

All operators must follow the following procedures to minimize the risk of exposure to EMF;

- In the name of reducing the magnetic field, the welding / cutting cables must be assembled and secured as far as possible with the joining materials (tape, cable ties etc.).
- The operator's body and head should be kept as far away from the welding / cutting machine and cables as possible,

The electrical current passing through any conductor generates zonal electric and magnetic fields (EMF).

All operators must follow the following procedures to minimize the risk of exposure to EMF;

- In the name of reducing the magnetic field, the welding / cutting cables must be assembled and secured as far as possible with the joining materials (tape, cable ties etc.).
- The operator's body and head should be kept as far away from the welding / cutting machine and cables as possible,
- Welding / cutting and electric cables should not be wrapped around the body of the machine in any way,
- The body of the machine should not get caught between the welding / cutting cables. The source cables must be kept away from the body of the machine, both being placed side by side,
- The return cable must be connected to the workpiece as close as possible to the work area,
- The welding / cutting machine should not rest against the power unit, ensconce on it and not work too close to it,
- Welding / cutting work should not be performed when carrying the wire supply unit or power unit.

EMF may also disrupt the operation of medical implants (materials placed inside the body), such as pacemakers. Protective measures should be taken for people who carry medical implants. For example, access limitation may be imposed for passers-by, or individual risk assessments may be conducted for welders. Risk assessment should be conducted and recommendations should be made by a medical professional for users who carry medical implants.

---

**Protection**



- Do not expose the machine to rain, prevent the machine from splashing water or pressurized steam.

---

**Energy Efficiency**



- Choose the welding / cutting method and welding machine for the welding work you are to perform.
- Select the welding / cutting current and/or voltage to match the material and thickness you are going to weld.
- If you have to wait for a long time before you start your welding / cutting work, turn off the machine after the fan has cooled it down. Our machines with smart fan control will turn off on their own.

---

**Waste Procedure**



- This device is not domestic waste. It must be directed to recycling within the framework of the European Union directive and national laws.
- Obtain information from your dealer and authorized persons about the waste management of your used machines.

## TECHNICAL INFORMATION

### 1.1 General Information

monoSTICK 200i is an inverter type portable, mono-phase DC MMA welding machine designed to weld stick electrodes up to 4 mm. Even though the machine is mono-phase, due to the inverter technology it provides stable arc and good re-striking performance, also the electric consumption is approximately 10% less than the silicon controlled rectifier equipments and 25% less than the magnetically controlled equipments. monoSTICK 200i proved well that it can work between 185 to 250 V 50/60 Hz line voltages. Therefore this machine is quite immune to mains voltage fluctuations and perfectly welds with generator-sets. monoSTICK 200i can also be used with long welding cables up to 25 mt. The machine is fan cooled and thermally protected against over heating.

### 1.2 Machine Components

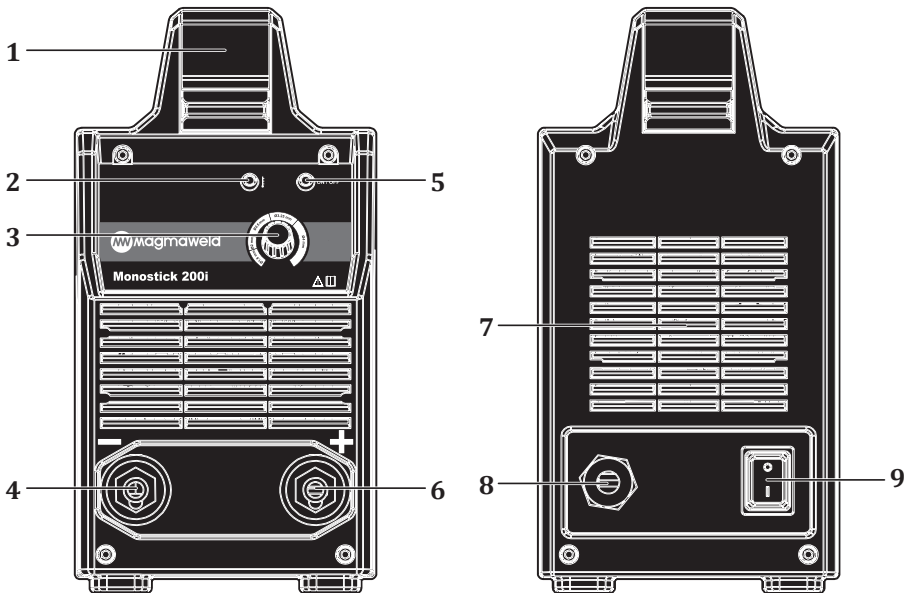
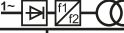



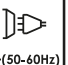




Figure 1: monoSTICK 200i

- |                                      |                                      |
|--------------------------------------|--------------------------------------|
| 1- Handle                            | 6- Earth Cable and Welding Cable (+) |
| 2- Thermic / Error Led               | 7- Fan                               |
| 3- Current Adjustment Pot            | 8- Line Cable Inlet                  |
| 4- Earth Cable and Welding Cable (-) | 9- Power Switch                      |
| 5- Power Led                         |                                      |

### 1.3 Product Label

MAGMA MEKATRONİK MAKİNE SAN. VE TİC. A.Ş. Organize Sanayi Bölgesi 5.Kısım Manİsa-TÜRKİYE			
MONOSTICK 200i		Seri No :	
		EN 60974-1 / EN 60974-10 / Class A	
<b>10A / 20.4V - 200A / 28V</b>			
		X	14%    60%    100%
		I <sub>2</sub>	200A    107A    85A
		U <sub>2</sub>	28V    24.3V    23.4V
	U <sub>0</sub> =65V	I <sub>1</sub>	42.1A    20A    15.8A
		S <sub>1</sub>	9.7kVA    4.6kVA    3.6kVA
 1~(50-60Hz)	U <sub>1</sub> =230V	I <sub>1max</sub> = 42.1A	
		I <sub>1eff</sub> = 15.8A	
		IP23S	
			



Single Phase Transformer Rectifier

X

Duty Cycle



MMA Welding

U<sub>0</sub>

Open Circuit Voltage



Direct Current

U<sub>1</sub>

Mains Voltage and Frequency



Vertical Characteristic

U<sub>2</sub>

Rated Welding Voltage



Mains Input 1-Phase Alternating Current

I<sub>1</sub>

Rated Mains Current



Suitable for Operation at Hazardous Environments

I<sub>2</sub>

Rated Welding Current

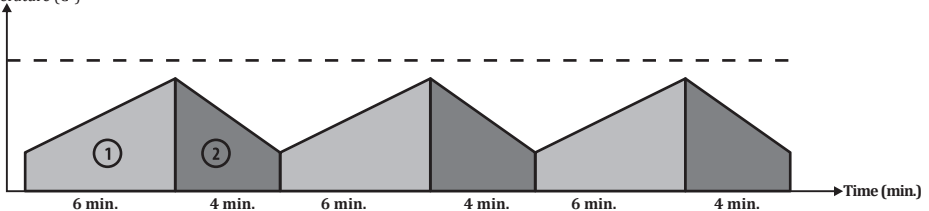
S<sub>1</sub>

Rated Power

IP23S

Protection Class

Duty Cycle  
Temperature (C°)



As defined in the standard EN 60974-1, the duty cycle rate includes a time period of 10 minutes. For example, if a machine specified as 250A at %60 is to be operated at 250A, the machine can weld without interruption in the first 6 minutes of the 10 minutes period (zone 1). However, the following 4 minutes should be kept idle for the machine cool down (zone 2).

## 1.4 Technical Data

TECHNICAL DATA	UNIT	monoSTICK 200i
Mains Voltage (1-phase 50-60 Hz)	V	230
Rated Power	kVA	9.7
Duty Cycle Rate (25°C)		%35
EN 60974 -1 (I/X%)		200 / 14
Welding Current Range	ADC	10 - 200
Rated Welding Current	ADC	200
Open Circuit Voltage	VDC	65
Stick Electrode Diameter Range	mm	1.60 - 4.00
Dimensions (l x w x h)	mm	467 x 160 x 312
Weight	kg	10.5
Protection Class		IP 23S

## 1.5 Accessories

STANDARD ACCESSORIES	QTY	PRODUCT CODE
Workpiece Clamp and Cable	1	7905212503 (25 mm <sup>2</sup> - 3 m)
Electrode Clamp and Cable	1	7906202503 (25 mm <sup>2</sup> - 3 m)

## INSTALLATION

### 2.1 Delivery Control

Make sure that all the materials you have ordered have been received. If any material is missing or damaged, contact your place of purchase immediately.

The standard box includes the following;

- Welding machine and connected mains cable
- Workpiece clamp and cable
- Electrode clamps and cable
- Warranty certificate
- User manual

In case of a damaged delivery, record a report, take a picture of the damage and report to the transport company together with a photocopy of the delivery note. If the problem persists, contact the customer service.

### Symbols and their meanings on the device



Welding may be dangerous. Proper working conditions should be ensured and necessary precautions should be taken. Specialists are responsible for the machine and have to be equipped with the necessary equipment and those who are not relevant should be kept away from the welding area.



This device is not compatible with IEC 61000-3-12. If it is desired to connect to the low voltage mains used in homes, it is essential that the installer or the person who will operate the machine to make the electrical connection has information on the machine's connectivity. In this case the responsibility will be assumed by the person who will perform the installation or by the operator.



The safety symbols and warning notes on the device and in the operating instructions must be observed and the labels must not be removed.



Grids are intended for ventilation. The openings should not be covered in order to provide good cooling and no foreign objects should be inserted.

### 2.2 Installation and Operation Recommendations

- For a better performance, place the machine at least 30 cm away from the surrounding objects. Pay attention to overheating, dust and moisture near the machine.
- Do not operate the machine under direct sunlight. If the ambient temperature exceeds 40°C, operate the machine at a lower current or a lower duty cycle.
- Avoid welding outdoors in windy and rainy weather circumstances. If welding is necessary in such cases, protect the welding area and the welding machine with a curtain and canopy. If you weld indoors, use a suitable fume extraction system. Use breathing apparatus if there is a risk of inhaling welding fumes and gas in confined spaces.
- Observe the duty cycle rates specified on the product label. Exceeding duty cycle rates can damage the machine and this may invalidate the warranty.
- Use the fuse that is compliant with your system.
- Secure the ground cable as close as possible to the welding area.
- Do not allow the welding current to pass through equipment other than the welding cables.
- Secure the gas cylinder to the wall with a chain.
- The welding cables and the mains cable must not be wrapped in the machine housing during operation.

## 2.3 Connections for MMA Welding



**Check the mains voltage before connecting the machine to the mains.  
When plugging the power plug into the outlet, make sure that the power switch is set to “0” in the turned-off position.**

- SWITCH ON the machine via power switch and check if power led lights up and cooler fan works.
- According to the polarity of the electrode to be used, insert welding cables into the appropriate socket and tighten them by turning clock-wise.
- Connect the earth clamp tightly to the workpiece as close as possible to the welding area.
- Adjust the desired current and the machine is ready to weld.
- Below table is given as a reference for current adjustment of mild steel electrodes, please refer to the electrode manufacturer’s recommendations.

Covered Electrode Diameter (mm)	Recommended Welding Current		
	Rutile	Basic	Cellulosic
2.0	40-60 A	-	-
2.5	60-90 A	60-90 A	60-100 A
3.25	100-140 A	100-130 A	70-130 A
4.0	140-180 A	140-180 A	120-170 A

## 2.4 Connections for TIG Welding



**Check the mains voltage before connecting the machine to the mains.  
When plugging the power plug into the outlet, make sure that the power switch is set to “0” in the turned-off position.**

- Start the machine with the on/off switch and check whether the Leds are on and the cooling fan is working.
- TIG torch with a valve should be used.
- Connect the TIG torch power cable to the negative welding socket and the earth cable to the positive welding socket of the machine.
- Install the Argon gas regulator onto the Argon gas cylinder.
- Connect the gas hose of the torch to the gas regulator.
- Adjust the desired current and the machine is ready to weld.

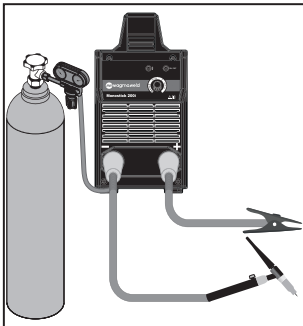


Figure 2 : TIG Welding Connections

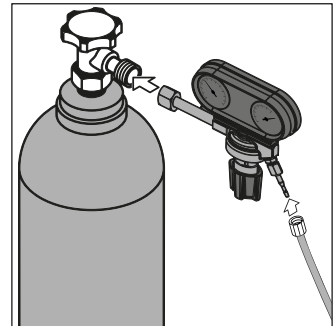


Figure 3 : Gas Cylinder Connection



## MAINTENANCE AND SERVICE

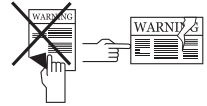
- Maintenance and repairs to the machine must be carried out by a qualified personnel. Our company will not be responsible for any accidents that may occur by unauthorized interventions.
- Parts that will be used during repair can be obtained from our authorized services. The use of original spare parts will extend the life of your machine and prevent performance losses.
- Always contact the manufacturer or an authorized service designated by the manufacturer.
- Never make interventions yourself. In this case the manufacturer warranty is no longer valid.
- Always comply with the applicable safety regulations during maintenance and repair.
- Before performing any work on the machine for repair, disconnect the machine's power plug from the power supply and wait for 10 seconds for the capacitors to discharge.

### 3.1 Maintenance



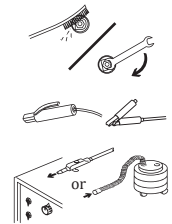
#### Daily Maintenance

- Do not remove the warning labels on the device. Replace the worn/torn labels with the new ones. Labels can be obtained from the authorized service.
- Check your torch, clamps and cables. Pay attention to the connections and the durability of the parts. Replace the damaged/defective parts with the new ones. Do not ever make additions to/repair the cables.
- Ensure adequate space for ventilation.
- Before starting welding, check the gas flow rate from the tip of the torch with a flow meter. If the gas flow is high or low, bring it to the appropriate level for the welding process.



#### Every 6 Months

- Clean and tighten fasteners such as bolts and nuts.
- Check the electrode clamp and grounding clamp cables.
- Open the side covers of the machine and clean with low pressure dry air. Do not apply compressed air to electronic components at close distance.
- Check the socket to which the power supply plug of the machine is connected. If there is any looseness in the power cable connection points of the socket, remove such looseness. If there is an arc or expansion in the socket slots, replace them with new ones.
- Check the power supply plug of the machine. If there is any looseness in the power cable connection points in the electricity plug, remove such looseness. If there is an arc or deformation at the ends of the plug, replace it with a new one.



**NOTE:** The above mentioned periods are the maximum ones that should be applied if no problems are encountered in your device. Depending on the work load and contamination of your work environment, you can repeat the above processes more frequently.



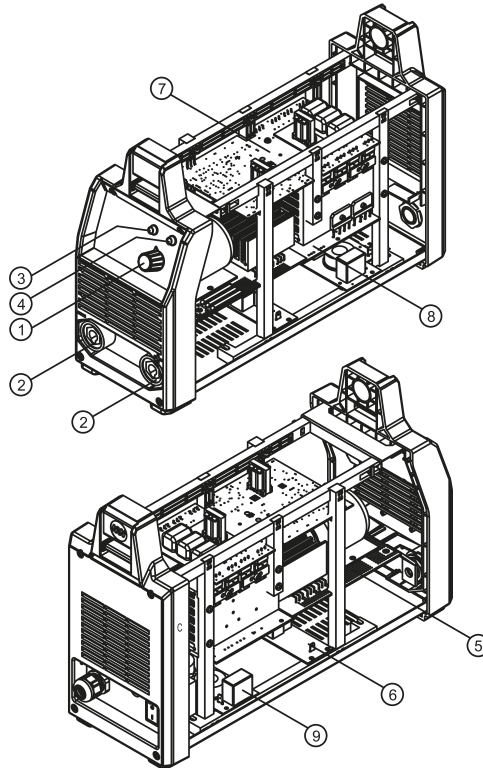
## 3.2 Troubleshooting

The following tables contain possible errors to be encountered and their solutions.

Error	Solution
Thermal led on the front panel has lit up	<ul style="list-style-type: none"> <li>• The machine's operation cycle rate may be exceeded. Wait for a while to allow the machine to cool down. If the failure disappears, try to use lower amperage values</li> <li>• The fan may not be working. Inspect the fan for to see if it is functioning properly If it is still not working, please contact the authorized service center.</li> <li>• The air inlet and outlet ducts may be blocked. Clear the air ducts from any blockage</li> <li>• The machine operating environment can be extremely hot or airless. Have the machine placed in an environment where it can work more comfortably</li> </ul>
Machine does not work at all	<ul style="list-style-type: none"> <li>• Make sure that the machine is connected to power</li> <li>• Check that the mains connections are correct</li> <li>• Check the mains power supply fuses, mains cable and its plug</li> <li>• Check the on / off operating switch</li> <li>• If you have made all the checks and if the problem still persists, please contact the authorized service center</li> </ul>
The machine welds poorly	<ul style="list-style-type: none"> <li>• Make sure that the machine's grounding pliers are connected to the workpiece</li> <li>• Make sure that the cables are secure and that the connection points are not worn</li> <li>• Make sure that the parameter and process selection are correct</li> <li>• According to the process you have chosen, follow the steps below:               <ol style="list-style-type: none"> <li>1- Check the pole that the electrode must be connected and the current value that must be set on the machine</li> <li>2- Check that the gas flow is open, ensuring that the flow is accurate</li> <li>3- Make sure that the tungsten tip is clean</li> <li>4- Make sure the durability of the welding torch</li> <li>5- If you have made all the checks, if the problem still persists, please contact the authorized service center</li> </ol> </li> </ul>

## ANNEX

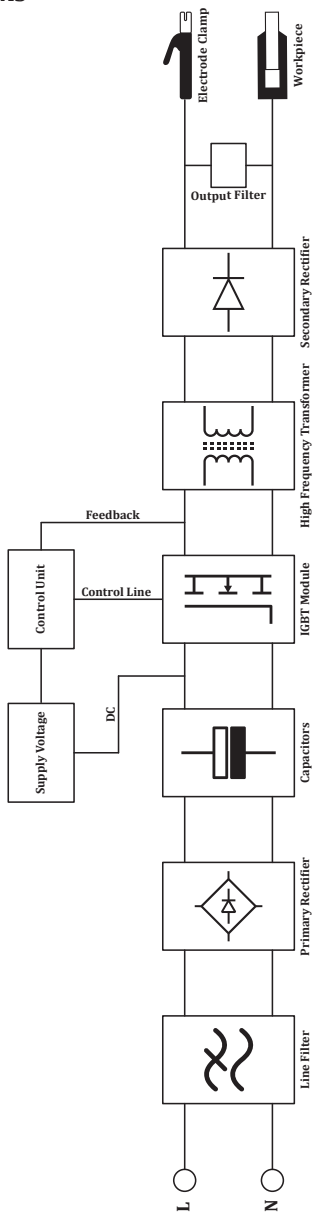
## 4.1 Spare Parts List



NO	DEFINITION	monoSTICK 200i
1	Potency Button	A229500001
2	Welding Socket	A377900104
3	Red Led	A430800001
4	Green Led	A430800002
5	Electronic Card E203A PWR	K405000208
6	Electronic Card E205A-RL	K405000212
7	Electronic Card E203A CNT	K405000225
8	Electronic Card E203A PWR 200	K405000226
9	Electronic Card E201B-FLT	K405000101
	Fan	A250200021
	Thermostat	A314800106

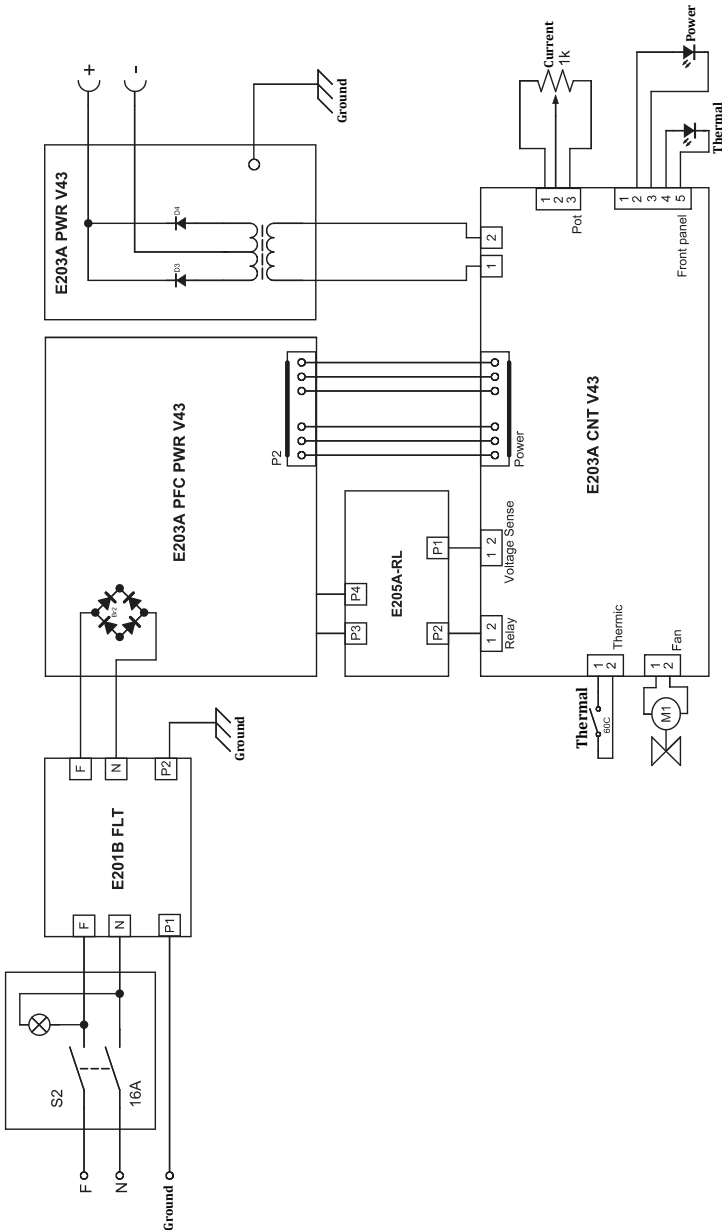
## 4.2 Connection Diagrams

### Block Diagram



EN

# Circuit Diagram



 **СОДЕРЖАНИЕ**

ПРАВИЛА ТЕХНИКИ БЕЗОПАСНОСТИ	22
<b>1 ТЕХНИЧЕСКАЯ ИНФОРМАЦИЯ</b>	
1.1 Общее описание	29
1.2 Комплектующие сварочного аппарата	29
1.3 Этикетка продукта	30
1.4 Технические характеристики	31
1.5 Вспомогательные устройства и приспособления	31
<b>2 ИНФОРМАЦИЯ ПО УСТАНОВКЕ И НАСТРОЙКЕ</b>	
2.1 Контроль доставки	32
2.2 Рекомендации по установке и эксплуатации	32
2.3 Соединения для сварки покрытым электродом	33
2.4 Соединения для сварки TIG	34
<b>3 ТЕХОБСЛУЖИВАНИЕ И УСТРАНЕНИЕ НЕИСПРАВНОСТЕЙ</b>	
3.1 Техобслуживание	35
3.2 Поиск проблемы	36
<b>4 ПРИЛОЖЕНИЯ</b>	
4.1 Список запасных частей	37
4.2 Схемы подключения	38

## ПРАВИЛА ТЕХНИКИ БЕЗОПАСНОСТИ

*Соблюдайте все правила техники безопасности, указанные в этом руководстве!*

### Описание сведений по технике безопасности



- Знаки по технике безопасности, указанные в руководстве, используются для определения потенциальных источников опасности.
- При размещении какого-либо знака по технике безопасности в этом руководстве его следует понимать как указание на наличие риска телесных повреждений и во избежание потенциальной опасности внимательно ознакомиться с предоставленными далее пояснениями.
- Владелец оборудования несёт ответственность за предотвращение доступа посторонних лиц к оборудованию.
- Лица, осуществляющие эксплуатацию оборудования, должны иметь опыт или пройти полную подготовку по вопросу выполнения сварочных сварка / резка; перед работой на оборудовании ознакомьтесь с руководством по эксплуатации и соблюдайте инструкции по технике безопасности.

### Описание знаков по технике безопасности

#### ВНИМАНИЕ



Указывает на потенциально опасную ситуацию, которая может привести к травме или повреждению. Несоблюдение этой меры предосторожности может привести к травме или потере/повреждению имущества.



#### ВАЖНО

Указывает на информацию и предупреждения, касающиеся эксплуатации.



#### ОПАСНОСТЬ

Указывает на серьёзную опасность. В случае непринятия мер может привести к смерти или серьёзным травмам.

### Понимание предупреждений по технике безопасности



- Внимательно прочитайте руководство по эксплуатации, а также ознакомьтесь с маркировкой (ярлыком) и предупреждениями по технике безопасности, размещёнными на оборудовании.
- Убедитесь, что предупреждающая маркировка находится в надлежащем состоянии. Замените отсутствующие и повреждённые ярлыки.
- Ознакомьтесь со способом эксплуатации оборудования и правильными методами управления оборудованием.
- Осуществляйте эксплуатацию вашего оборудования в соответствующей одежде.
- Несоответствующие изменения, проводимые на вашем оборудовании, негативно скажутся на безопасной эксплуатации и сроке службы оборудования.
- Производитель не несёт ответственности за какие-либо последствия, возникающие в результате эксплуатации устройства за пределами вышеуказанных условий.

### Поражение электротоком может привести к летальному исходу



*Убедитесь, что процедуры установки соответствуют национальным электрическим стандартам и иным соответствующим нормам, а также обеспечьте установку оборудования компетентными лицами.*

- Пользуйтесь сухими и неповреждёнными изолированными перчатками и рабочим фартуком. Запрещается использовать мокрые или повреждённые перчатки и рабочие фартуки.
- Носите огнестойкую защитную одежду, чтобы избежать ожогов. Одежда, используемая оператором, должна защищать от искр, брызг и излучения дуги.
- Не работайте в одиночку. В случае опасности убедитесь, что у вас есть помощник на рабочем месте.
- Не касайтесь электрода голыми руками. Не допускайте контакта держателя электрода или электрода с другими людьми или заземлёнными предметами.
- Никогда не прикасайтесь к частям, которые разносят электричество.
- Не прикасайтесь к электроду при контакте с электродом, подключённым к рабочей поверхности, полу или другому оборудованию.

- Вы можете защитить себя от возможных поражений электрическим током, изолировав себя от рабочей поверхности и пола. Используйте сухой, неповрежденный, невоспламеняющийся электроизоляционный материал таких размеров, чтобы он был пригодным для предотвращения контакта оператора с рабочей поверхностью.
- Не подключайте более одного электрода к держателю электрода.
- Подсоедините зажим заземления к заготовке или рабочему столу как можно ближе, чтобы обеспечить хороший контакт металла с металлом.
- Проверьте горелку перед работой со сварочным аппаратом. Убедитесь, что горелка и его кабели в хорошем состоянии. Обязательно замените поврежденную изношенную горелку.
- Не касайтесь держателей электродов, подключенных к двум сварочным аппаратам одновременно, так как будет присутствовать двойное напряжение холостого хода.
- Держите аппарат выключенным и отсоедините кабели, когда она не используется.
- Перед ремонтом машины отключите все электрические соединения и / или разъемы или выключите машину.
- Будьте осторожны при использовании длинного сетевого кабеля.
- Убедитесь, что все соединения чистые и сухие.
- Следите за тем, чтобы кабели были сухими, чистыми и обезжиренными, а также защищенными от горячего металла и искр.
- Оголенная проводка может убить. Часто проверяйте все кабели на предмет возможных повреждений. Если обнаружен поврежденный или неизолированный кабель, немедленно отремонтируйте или замените его.
- Если зажим заземления не подключен к заготовке, изолируйте его, чтобы предотвратить контакт с любым металлическим предметом.
- Убедитесь, что заземление линии питания подключено правильно.
- Не используйте источник переменного тока во влажных, сырых или перегруженных местах, а также в местах, где существует опасность падения.
- Используйте источник переменного тока ТОЛЬКО, если это необходимо для процесса сварки.
- Если требуется источник переменного тока, используйте дистанционное управление источником, если оно имеется на устройстве.

**Дополнительные меры предосторожности требуются при наличии любого из следующих электрически опасных условий:**

- во влажных местах или в мокрой одежде,
- на металлических конструкциях, таких как полы, решетки или строительные леса,
- когда вы находитесь в стесненном положении, например, сидя, на коленях или лежа,
- когда существует высокий риск неизбежного или случайного контакта с заготовкой или землей.

Для этих условий используйте следующее оборудование:

- Полуавтоматический аппарат для сварки MIG постоянного напряжения (CV),
- Ручной сварочный аппарат MMA постоянного тока,
- Сварочный аппарат постоянного или переменного тока с пониженным напряжением холостого хода (VRD), если имеется.

**Процедуры при поражении электрическим током**



- Отключите электричество.
- Используйте непроводящий материал, например сухую древесину, чтобы освободить пострадавшего от контакта с токоведущими частями или проводами.
- Позвоните в службу экстренной помощи.

**Если у вас есть обучение оказанию первой помощи;**

- Если пострадавший не дышит, проведите сердечно-легочную реанимацию (СЛП) сразу после разрыва контакта с источником электричества. Продолжайте СЛП (массаж сердца) до тех пор, пока не начнется дыхание или пока не придет помощь.
- Если имеется автоматический электронный дефибриллятор (AED), используйте его в соответствии с инструкциями.
- Относитесь к электрическому ожогу как к термическому ожогу, прикладывая стерильные холодные (ледяные) компрессы. Избегайте загрязнения и накройте чистой сухой повязкой.

**Движущиеся части могут привести к телесным повреждениям**



- Не приближайтесь к движущимся объектам.
- Закрывайте и запирайте все крышки, панели, дверцы и т.п. защитные приспособления оборудования и устройств.
- Носите ботинки с металлическим носком на случай падения тяжелых предметов.

**Дым и газы могут нанести вред вашему здоровью**



*Во время выполнения сварки / резки и резки чрезвычайно опасно вдыхать дым и газ в течение длительного времени.*

- Жжение и раздражение глаз, носа и горла указывают на недостаточность вентиляции. В этом случае необходимо незамедлительно улучшить уровень вентиляции и, если проблема не устранена, остановить сварку / резку.
- Предусмотрите на рабочем участке систему естественной или искусственной вентиляции.
- На участках выполнения сварки / резки или резки используйте соответствующую систему удаления дыма. При необходимости установите систему, которая обеспечит вывод дыма и газов, накапливающихся в цехе в целом. Во избежание загрязнения окружающей среды во время выброса газов используйте соответствующую систему фильтрации.
- При проведении работ в ограниченном пространстве или при выполнении сварки / резки материалов с покрытием из свинца, бериллия, кадмия, цинка, а также окрашенных материалов, помимо вышеуказанных мер предосторожности, используйте маски, обеспечивающие подачу свежего воздуха.
- Если газовые баллоны сгруппированы в отдельной зоне убедитесь в наличии хорошей вентиляции в этом помещении; закрывайте главные клапаны по окончании использования газовых баллонов, проверяйте баллоны на предмет утечки газа.
- Защитные газы (аргон и т.п.) плотнее воздуха и при использовании в помещении могут попадать в дыхательные пути вместо воздуха. Это опасно для вашего здоровья.
- Не проводите сварочные работы при наличии паров хлорированных углеводородов, выделяющихся во время смазочных и покрасочных работ.
- Некоторые сварные / вырезанные детали требуют специальной вентиляции. Следует внимательно прочитать правила безопасности продуктов, требующих специальной вентиляции. В случаях, когда требуется противогаз, следует надеть подходящий противогаз.

**Излучение сварочной дуги может нанести вред вашим глазам**



- Для защиты глаз и лица используйте соответствующую защитную маску и пригодный для маски стеклянный фильтр.
- Защищайте от этого излучения также другие части тела (руки, шею, уши и т.д.) соответствующей защитной одеждой.
- Для предупреждения возникновения у окружающих повреждений от воздействия сварочной дуги и горячих металлов, оградите ваш рабочий участок огнестойкими экранами высотой на уровне глаз и повесьте предупреждающие знаки.
- Оборудование не предназначено для нагревания замёрзших труб. Проведение таких работ сварочным аппаратом может привести к взрыву, пожару или повреждению вашего оборудования.

**Искры и разбрызгивающиеся частицы могут нанести повреждения глазам**



- При выполнении таких работ, как сварка, шлифовка или зачистка поверхности, могут образоваться искры и происходить разбрызгивание металлических частиц. Для предупреждения телесных повреждений надевайте под маску утверждённые к применению защитные рабочие очки с боковыми щитками.

**Горячие детали могут привести к тяжёлым ожогам**



- Не прикасайтесь к горячим деталям голыми руками.
- Перед работой с деталями оборудования подождите некоторое время, пока они остынут.
- При необходимости контакта с горячими деталями, используйте соответствующие инструменты, теплоизоляционные сварочные перчатки и огнеупорную одежду.

**Повышенный Уровень Шума Может Нанести Вред Слуху**



- Шум, выделяемый некоторым оборудованием и работами, может нанести вред слуху.
- При повышенном уровне шума используйте утверждённые к применению защитные наушники.



**Сварочная проволока может нанести телесные повреждения**



- При разматывании катушки сварочной проволоки не направляйте горелку на какую-либо часть тела, а также на других людей или какие-либо металлические предметы.
- При разматывании вручную катушки сварочной проволоки, особенно, небольшого диаметра, проволока может выскочить из ваших рук, как пружина, и травмировать вас или окружающих, поэтому при выполнении этих работ особое внимание уделите защите глаз и лица.

**Сварка может привести к пожарам и взрывам**



- Запрещается производить сварку вблизи легковоспламеняющихся материалов. Это может привести к пожару или взрыву.
- Перед проведением сварочных работ удалите эти предметы с участка или накройте их защитными покрытиями для предупреждения возгораний.
- На этих участках применяются специальные национальные и международные правила.

- Не производите сварку и резку полностью закрытых труб или трубок.
- Перед выполнением сварка / резка труб и закрытых емкостей откройте их, полностью опорожните, проветрите и очистите. Соблюдайте максимальную осторожность при выполнении сварка / резка на таких участках.
- Не производите сварку опорожнённых труб и трубок, которые ранее содержали вещества, способные вызвать взрыв, пожар или другие реакции.
- Сварочное оборудование имеет свойство нагреваться. Поэтому не размещайте его на легко воспламеняемых или легко повреждаемых поверхностях!

- Сварочные искры могут привести к возникновению пожара. По этой причине обеспечьте наличие в легко доступных для вас местах таких материалов, как огнетушители, вода и песок.
- Используйте обратные клапаны, газовые регуляторы и клапаны в сетях горючих, взрывоопасных газов и сжатого газа.

**Выполнение технического обслуживания оборудования устройства некомпетентными лицами может привести к телесным повреждениям**



- Запрещается привлекать некомпетентных лиц к ремонту оборудования. Ошибки, которые могут быть допущены при нарушении этого требования, могут привести к серьёзным травмам или летальному исходу.
- Элементы газовой сети работают под давлением; в результате манипуляций, производимых некомпетентными лицами, могут возникнуть взрывы, и пользователи могут получить серьёзные травмы.
- Рекомендуется производить обслуживание оборудования и его периферийных устройств не реже одного раза в год.

**Сварка / Резка на небольших участках и участках с ограниченным пространством**



- Выполняйте сварку/резку на небольших участках и участках с ограниченным пространством в присутствии ещё одного человека.
- По мере возможности избегайте проведения сварочных работ/резки в ограниченных пространствах.

**Несоблюдение необходимых мер предосторожности при перемещении оборудования может привести к несчастным случаям**



- При перемещении оборудования соблюдайте все необходимые меры предосторожности. Участки, на которых будет производиться перемещение, части, подлежащие перемещению, а также физическое состояние и здоровье людей, вовлечённых в процесс перемещении оборудования, должны соответствовать требованиям процедуры перемещения и транспортировки.
- Некоторое оборудование имеет большую массу, поэтому при перемещении убедитесь в принятии всех мер предосторожности по охране окружающей среды.
- Если сварочный аппарат предполагается использовать на платформе, необходимо убедиться в том, что такая платформа имеет соответствующие пределы нагрузки.
- При перемещении оборудования при помощи какого-либо механизма (тележка, вилочный погрузчик и пр.) убедитесь в надлежащем состоянии точек крепления механизма и оборудования (крепление подвесок, ремней для перемещения, болтов, гаек, колёс и т.п.).
- При выполнении перемещения вручную убедитесь в надлежащем состоянии приспособлений оборудования (подвески, ремни для перемещения и т.п.) и их креплений.

- С целью обеспечения необходимых требований для перемещения соблюдайте правила Международной организации труда в отношении веса перемещаемого оборудования, а также нормативы по перемещению оборудования, действующее в вашей стране.
- При перемещении источника питания используйте специальные приспособления (держатели или проушины). Запрещается перемещать оборудование, удерживая его за горелку, кабель или шланги. Перемещение газовых баллонов осуществляйте отдельно от всего оборудования.
- Перед перемещением сварочного и режущего оборудования демонтируйте все промежуточные соединения, осуществляйте поднятие и перемещение небольших частей посредством ручек, а более крупных частей с помощью соответствующих приспособлений (проушины) или вилочных погрузчиков.

**Падение частей оборудования может привести к телесным повреждениям**



**Неправильное расположение источника питания или иного оборудования может привести к серьёзным травмам и повреждению имущества.**

- Во избежание падений и опрокидывания вашего оборудования его необходимо разместить на основании (полу) или платформе с максимальным уклоном 10°. Это предупредит воспрепятствование подаче материала и риск застопоривания в кабелях и шлангах; предпочитайте для установки оборудования неподвижные широкие, не запылённые, легко вентилируемые участки. Во избежание опрокидывания газовых баллонов закрепите их, при наличии, на пригодной для баллонов платформе, находящейся на оборудовании, а при стационарном использовании, зафиксируйте баллон надёжным способом, прикрепив его к стене.
- Обеспечьте операторам лёгкий доступ к настройкам и подключениям на оборудовании.

**Чрезмерная эксплуатация приводит к перегреву оборудования**



- Обеспечьте остывание оборудования в соответствии с рабочим циклом.
- Перед повторным началом сварочных работ уменьшите коэффициент тока или загрузку рабочего цикла.
- Не закрывайте вентиляционные отверстия оборудования.
- Не устанавливайте фильтры в вентиляционные отверстия оборудования без разрешения производителя.

**Дуговая сварка может вызвать электромагнитные помехи**



- Данное устройство относится к группе 2, класс А в испытаниях электромагнитной совместимости (ЭМС) в соответствии со стандартом TS EN 55011.
- Данное устройства класса А не предназначено для эксплуатации в жилых помещениях с подачей электроэнергии от низковольтной сети. Возможны затруднения в достижении электромагнитной совместимости в связи с радиочастотными помехами, передача и распространение которых имеют место на таких участках.



Это устройство не соответствует стандарту IEC61000-3-12. При необходимости подключения к низковольтной сети, используемой в бытовых условиях, специалист, который будет осуществлять электрическое подключение, или лицо, которое будет эксплуатировать оборудование, должны быть осведомлены в вопросе особенностей подключения оборудования, в этом случае пользователь несёт ответственность за проведение таких работ.

- Убедитесь, что рабочая зона соответствует электромагнитной совместимости (ЭМС). Электромагнитные помехи во время сварка / резка или резки могут вызвать нежелательные воздействия на ваши электронные устройства в вашей сети, и пользователь несёт ответственность за какие-либо помехи, которые могут возникнуть во время проведения работ.
- При возникновении каких-либо помех, могут быть приняты дополнительные меры для обеспечения совместимости в виде использования коротких кабелей, экранированных кабелей, перемещения сварочного аппарата в другое место, отдаления кабеля от оборудования и/или участка, попавшего под воздействие использования фильтров или защиты рабочего участка в аспекте ЭМС.
- Во избежание возможных повреждений в связи с нарушением ЭМС выполняйте сварочные работы как можно дальше (100м) от вашего чувствительного электронного оборудования.
- Убедитесь в установке и размещении вашего сварочного аппарата или газового резака в соответствии с руководством по эксплуатации.

**Оценка  
электромагнитной  
совместимости  
рабочего  
участка**



Согласно пункту 5.2 стандарта IEC 60974-9,

Перед установкой сварочного и режущего оборудования уполномоченное лицо предприятия и/ или пользователь должны произвести осмотр участка на предмет возможных электромагнитных помех на прилегающей территории. Необходимо обратить внимание на следующие вопросы:

- a) наличие других кабелей питания, кабелей управления, сигнальных и телефонных кабелей сверху, снизу и рядом со сварочным аппаратом и оборудованием;
- b) наличие радио- и телевизионных передатчиков и приемников;
- c) наличие компьютерного и иного оборудования, используемого для управления;
- d) наличие критического оборудования для обеспечения безопасности, например для защиты промышленного оборудования;
- e) наличие медицинских аппаратов (например, кардиостимуляторов и слуховых аппаратов), используемых населением на прилегающей территории;
- f) наличие оборудования, используемого для измерения или калибровки;
- g) невосприимчивость иного оборудования, находящегося на прилегающей территории. Пользователь должен убедиться, что иное оборудование, используемое на прилегающей территории, является совместимым. Это может потребовать дополнительных мер защиты;
- h) Границы рассматриваемого участка могут быть расширены в соответствии с размерами прилегающей территории, конструкцией зданий и иными работами, выполняемыми в здании, с учётом времени, в течение которого предполагается производить сварочные или иные работы в течение дня.

В дополнение к оценке участка также может потребоваться оценка мест установки устройств с целью устранения нарушающего совместимость воздействия. При необходимости, для подтверждения эффективности мер по снижению воздействия также можно провести измерения на месте. (Источник: МЭК 60974-9).

**Методы снижения  
помех**



- Устройство должно быть подключено к источнику питания компетентным специалистом в соответствии с рекомендациями. При возникновении помех могут применяться дополнительные меры, такие как фильтрация сети. Электропитание оборудования для дуговой сварка / резка с фиксированным креплением должно осуществляться при помощи кабеля, проложенного через металлическую трубу или эквивалентного экранированного кабеля. Необходимо подключить экран и корпус источника питания, и между этими двумя конструкциями должен быть обеспечен хороший электрический контакт.
- Необходимо выполнять рекомендуемое плановое обслуживание устройства. При эксплуатации устройства должны быть закрыты и/или заперты все крышки корпуса оборудования. Без письменного разрешения производителя в устройство запрещается вносить какие-либо изменения или модификации, отличные от стандартных настроек. В противном случае вся ответственность за какие-либо последствия возлагается на пользователя.
- Сварочные кабели должны быть максимально короткими. Кабели должны выходить из пола рабочего участка бок о бок. Наматывание сварочных кабелей запрещено.
- Во время сварки / резки в оборудовании генерируется магнитное поле. Это может привести к притяжению оборудования металлическими предметами.  
Для предотвращения этого убедитесь в размещении металлических материалов на безопасном расстоянии или в надёжной фиксации таких материалов. Оператор должен быть изолирован от всех таких взаимосвязанных металлических материалов.
- В случае отсутствия заземления обрабатываемого объекта или изделия, по соображениям электрической безопасности или в связи с его габаритными размерами и положением (например, при изготовлении корпуса судна или стальной конструкции), подключение между обрабатываемым объектом или изделием и землёй в некоторых случаях может снизить выбросы, и необходимо помнить, что заземление обрабатываемого объекта или изделия может привести к телесным повреждениям пользователя или неисправностям иного электрического оборудования, находящегося на прилегающей территории. При необходимости, заземление обрабатываемого объекта или изделия может быть выполнено прямым способом, но в некоторых странах, в которых прямое заземление запрещено, подключение может быть создано при помощи соответствующих элементов ёмкости в соответствии с местными нормами и правилами.
- Экранирование и защита других устройств и кабелей на рабочем участке может предотвратить возникновение воздействий, нарушающих совместимость. Для некоторых случаев может рассматриваться полное экранирование участка сварки / резки.

**Дуговая сварка  
может создавать  
электромагнитное  
поле (ЭМП)**



Электрический ток, проходящий через какой-либо проводник, создаёт локальные электрические и магнитные поля (ЭМП). Все сварщики должны применять следующие процедуры с целью минимизации риска воздействия ЭМП от сварочной цепи:

- Для уменьшения магнитного поля сварочные кабели должны быть объединены и как можно более надёжно закреплены с помощью крепёжных материалов (ленты, кабельные стяжки и т.п.).
  - Тело и голова сварщика/рабочего должны находиться как можно дальше от сварочного аппарата и кабелей.
  - Сварочные и электрические кабели ни в коем случае нельзя наматывать на корпус аппарата.
  - Тело сварщика не должно находиться между сварочными кабелями. Оба сварочных кабеля должны находиться вдали от тела сварщика, рядом друг с другом.
  - Обратный кабель должен быть подключён к обрабатываемому объекту или изделию максимально близко к участку сварки / резки.
  - Запрещается опираться, садиться на источник питания сварочного аппарата, а также работать в непосредственной близости к нему.
  - Запрещается производить сварки / резки во время перемещения устройства подачи сварочной проволоки или источника питания сварочного аппарата.
- ЭМП также может нарушать работу медицинских имплантатов (кардиостимуляторы и т.п.). В виду этого для людей с медицинскими имплантатами должны быть приняты отдельные меры предосторожности. Например, введение ограничений на доступ для пересекающих дорогу людей, а также оценка индивидуальных рисков для сварщиков. Оценка рисков и выдача рекомендаций для пользователей с медицинскими имплантатами должна выполняться медицинским работником.

**Защита**



- Не подвергайте оборудование воздействию дождя, избегайте попадания на оборудование брызг воды или пара под давлением.

**Энергоэффективность**



- Выберите метод сварка / резка и сварочный аппарат, соответствующий запланированным сварочным работам.
- Установите параметры сварочного тока и/или напряжения, соответствующие материалу, подлежащему сварки / резки, а также его толщине.
- При длительном простое сварочного оборудования выключите оборудование после его охлаждения вентилятором. Наше оборудование (наша продукция), оснащённое вентилятором с интеллектуальным управлением, отключается автоматически.

**Процедура утилизации  
отходов**



- Это устройство не является бытовым мусором. Утилизация устройства должна осуществляться в рамках национального законодательства в соответствии с директивой Европейского Союза.
- Получите информацию об утилизации отходов вашего использованного оборудования у вашего дилера и компетентных лиц.

## ТЕХНИЧЕСКАЯ ИНФОРМАЦИЯ

### 1.1 Общее описание

monoSTICK 200i — это легко переносимый однофазный инвертор с выходом постоянного тока, который может прожигать покрытые электроды диаметром до 4,0 мм. В результате оптимизации инверторной технологии с характеристикой вертикальной сварки она обеспечивает стабильную дугу и хорошие характеристики повторного зажигания. monoSTICK 200i может работать при напряжении сети 50/60 Гц от 185 В до 250 В переменного тока. Он также безупречно работает с генераторами. Его также можно использовать со сварочными кабелями длиной до 25 метров. Он охлаждается вентилятором и имеет термическую защиту от перегрева.

### 1.2 Комплектующие сварочного аппарата

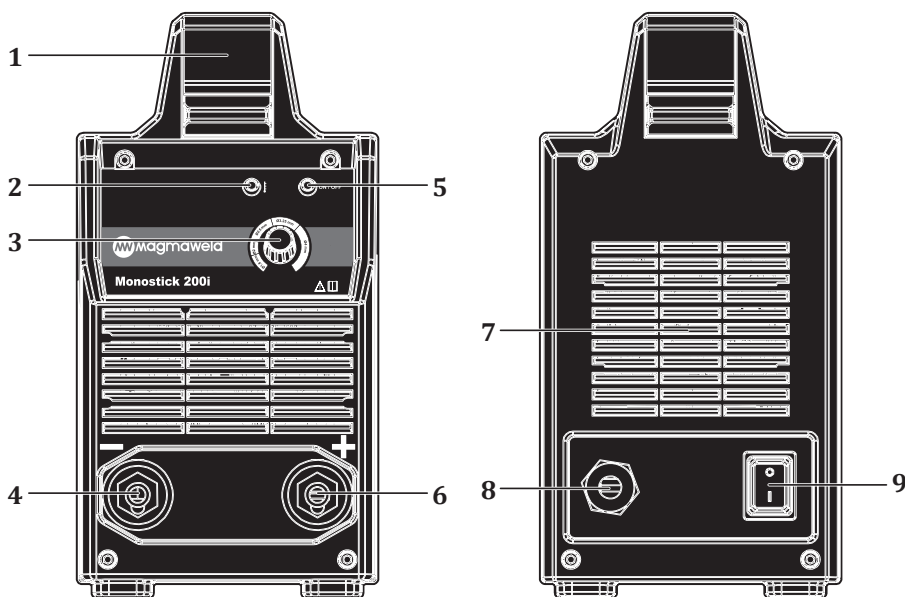
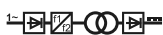


Рисунок 1: monoSTICK 200i

- 1- Ручка
- 2- Светодиодный индикатор перегрева / неисправности
- 3- Регулятор тока
- 4- Гнездо кабеля источника и заземления (-)
- 5- индикатор включения/выключения
- 6- Гнездо кабеля источника и заземления (+)
- 7- Вентилятор
- 8- Ввод кабеля питания
- 9- Кнопка включения/выключения

### 1.3 Этикетка продукта

MAGMA MEKATRONİK MAKİNE SAN. VE TİC. A.Ş. Organize Sanayi Bölgesi 5.Kısım Manisa-TÜRKİYE			
MONOSTICK 200i		Serî No :	
		EN 60974-1 / EN 60974-10 / Class A	
10A / 20.4V - 200A / 28V			
	---	X	14%    60%    100%
		I <sub>2</sub>	200A    107A    85A
	U <sub>0</sub> =65V	U <sub>2</sub>	28V    24.3V    23.4V
		I <sub>1</sub>	42.1A    20A    15.8A
		S <sub>1</sub>	9.7kVA    4.6kVA    3.6kVA
	U <sub>1</sub> =230V 1~(50-60Hz)	I <sub>1max</sub> = 42.1 A	I <sub>1eff</sub> = 15.8 A
		IP23S    CE	



Однофазный трансформатор -  
выпрямитель



MMA - Сварка



Постоянный ток



Вертикальный характеристика



Сетевой вход-1-фазный  
переменный ток



Пригоден для работы в опасных  
условиях

X

Рабочий цикл

U<sub>0</sub>

Напряжение работы без нагрузки

U<sub>1</sub>

Напряжение и частота сети

U<sub>2</sub>

Номинальное напряжение  
сварочного тока

I<sub>1</sub>

Номинальное потребление  
тока сети

I<sub>2</sub>

Номинальный сварочный ток

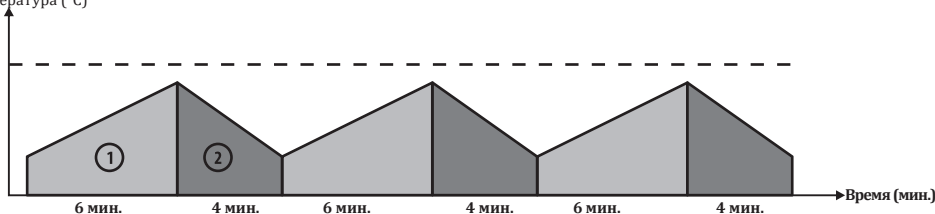
S<sub>1</sub>

Потребляемая мощность сети

IP23S

класс защиты

Рабочий цикл  
Температура (°C)



Согласно стандарту EN 60974-1, продолжительность рабочего цикла включает период времени 10 минут. Например, если машина, указанная как 250A при% 60, должна работать при 250A, машина может выполнять сварку / резку без перерыва в первые 6 минут из 10-минутного периода (зона 1). Однако следующие Для охлаждения машины необходимо 4 минуты простоя (зона 2).

## 1.4 Технические характеристики

ТЕХНИЧЕСКИЕ ХАРАКТЕРИСТИКИ	Ед. изм.	monoSTICK 200i
Сетевое напряжение (1 фаза - 50-60 Гц)	В	230
Сила тока сети	кВА	9.7
Рабочий цикл (25°C)		%35
EN 60974 -1 (I/X%)		200 / 14
Диапазон регулировки сварочного тока	А пост:тока	10 - 200
Номинальный сварочный ток	А пост:тока	200
Напряжение открытого контура сварки	В пост:тока	65
Диапазон диаметров сварочных электродов	мм	1.60 - 4.00
Размеры (ДхШхВ)	мм	467 x 160 x 312
Вес	кг	10.5
Класс защиты		IP 23S

## 1.5 Принадлежности

СТАНДАРТНЫЕ ПРИНАДЛЕЖНОСТИ	КОЛ-ВО	КОД ПРОДУКЦИИ
Клемма и кабель заземления	1	7905212503 (25 mm <sup>2</sup> - 3 m)
Зажим электрода и кабель	1	7906202503 (25 mm <sup>2</sup> - 3 m)

## ИНФОРМАЦИЯ ПО УСТАНОВКЕ И НАСТРОЙКЕ

RU

### 2.1 Контроль доставки

Убедитесь, что вместе со сварочным аппаратом доставлены все заказанные материалы. В случае отсутствия или повреждения какого-либо материала, немедленно свяжитесь с компанией, у которой был приобретен сварочный аппарат.

Стандартная комплектация сварочного аппарата содержит следующее:

- Главный корпус сварочного аппарата и сетевой кабель, подключенный к аппарату
- Клемма и кабель заземления
- Зажим электрода и кабелей
- Гарантийный талон
- Руководство по эксплуатации

В случае если во время получения аппарата будут выявлены повреждения, составьте протокол и сфотографируйте повреждения. Приложите протокол и фотографии к фотокопии накладной и известите транспортную компанию. В случае отсутствия ответа на ваше обращение в транспортную компанию, обратитесь в службу поддержки клиентов.

### Символы и обозначения, установленные на сварочном аппарате



Процесс сварки представляет опасность для человека и окружающих предметов. Выполнение сварки должно осуществляться в соответствующих условиях с принятием необходимых мер безопасности. Ответственность за сохранность и исправность сварочного аппарата, обеспечение необходимого оснащения возлагается на специалистов. Предупредите нахождение посторонних людей вблизи сварочного аппарата.



Данный сварочный аппарат не соответствует стандарту IEC 61000-3-12. В случае если сварочный аппарат будет подключён к сети низкого напряжения, используемого для электроснабжения жилых помещений, пользователь несёт полную ответственность за обеспечение выполнения работ подключения электрических соединений сварочного аппарата электротехником или пользователем аппарата, имеющим знания и навыки по вопросам подключения сварочного аппарата.



Будьте внимательны и строго соблюдайте все символы и предупреждения безопасности, установленные на сварочном аппарате и указанные в Руководстве по эксплуатации. Запрещается удалять этикетки, установленные на сварочном аппарате.



Решётки предназначены для обеспечения вентиляции внутренних частей сварочного аппарата. С целью обеспечения хорошего охлаждения, запрещается закрывать доступ к открытым частям аппарата и размещать инородные предметы внутри корпуса устройства.

### 2.2 Рекомендации По Установке И Эксплуатации

- Для обеспечения хороших рабочих характеристик обеспечьте размещение сварочного аппарата не менее чем на 30 см от окружающих предметов. Предупреждайте чрезмерный нагрев, запыление и увлажнение среды, в которой выполняется эксплуатация сварочного аппарата.
- Не выполняйте эксплуатацию сварочного аппарата под прямыми солнечными лучами. При работе в среде с температурой воздуха выше 40°C, выполняйте работы на сварочном аппарате при более низком сварочном токе или при более низком уровне продолжительности включения.
- Избегайте выполнения сварочных работ вне помещений при ветре или дожде. Если необходимо выполнение сварочных работ при таких погодных условиях, обеспечьте защиту сварочной зоны и сварочного аппарата завесой или тентом. Если сварка выполняется внутри помещения, обеспечьте достаточную систему вытяжки сварочного дыма. При выполнении сварки в закрытых помещениях, в связи с риском вдыхания сварочного дыма и газов, используйте респираторные системы.
- Соблюдайте уровень продолжительности включения сварочного аппарата, указанного на заводской табличке устройства. Частое превышение времени работы под нагрузкой может стать причиной повреждения сварочного аппарата и аннулирования гарантийного срока.



- Используйте предохранитель с характеристиками, подходящими для вашей системы.
- Подключите заземляющий кабель по мере возможности ближе к зоне сварки.
- Не допускайте прохождение сварочного тока по оборудованию, за исключением сварочных кабелей.
- Закрепите газовый баллон на стене с помощью цепи.
- Во время работы сварочного аппарата не наматывайте сварочные кабели и сетевой кабель на корпус сварочного аппарата.

### 2.3 Соединения для сварки покрытым электродом



*Перед подключением сварочного аппарата к сети, в первую очередь, проверьте наличие соответствующего напряжения сети.*

*Перед вставлением вилки сетевого кабеля в розетку сетевого электроснабжения убедитесь, что переключатель вкл./выкл. на сварочном аппарате установлен в положении "0".*

- Включите сварочный аппарат, переключив переключатель вкл./выкл., проверьте включение светодиодов вкл./выкл. на панели управления и начало работы вентилятора охлаждения.
- Вставьте штекер кабеля зажима электрода и штекер кабеля клеммы заземления в гнезда сварочного и заземляющего кабелей согласно типу используемого электрода и в соответствии с полярностью, рекомендованной изготовителем электрода, и поверните по часовой стрелке.
- Клемму заземления прочно подсоедините к рабочей заготовке как можно ближе к зоне сварки.
- Установите параметр сварочного тока. Аппарат готов к сварке.
- Значения силы тока для сварки нелегированных сталей, указанные в таблице ниже, приводятся в качестве справочной информации. Пожалуйста, соблюдайте рекомендации производителя электродов.

Покрытый электрод Диаметр (мм)	Рекомендуемый сварочный ток		
	Рутиловый	Базовый	Целлюлозный
2.0	40-60 A	-	-
2.5	60-90 A	60-90 A	60-100 A
3.25	100-140 A	100-130 A	70-130 A
4.0	140-180 A	140-180 A	120-170 A

## 2.4 Соединения для сварки TIG

*Перед подключением сварочного аппарата к сети, в первую очередь, проверьте наличие соответствующего напряжения сети.*



*Перед вставлением вилки сетевого кабеля в розетку сетевого электроснабжения убедитесь, что переключатель вкл./выкл. на сварочном аппарате установлен в положении "0".*

- Включите сварочный аппарат, переключив переключатель вкл./выкл., проверьте включение светодиодов вкл./выкл. на панели управления и начало работы вентилятора охлаждения.
- Используйте горелку для TIG-сварки с газовым клапаном.
- Вставьте штекер кабеля электропитания TIG-горелки в гнездо с отрицательным полюсом и штекер кабеля заземления в гнездо с положительным полюсом.
- Регулятор расхода газа подсоедините к газовому баллону с аргоном.
- Подсоедините газовый шланг горелки к регулятору расхода газа.
- Установите параметр сварочного тока. Аппарат готов к сварке.

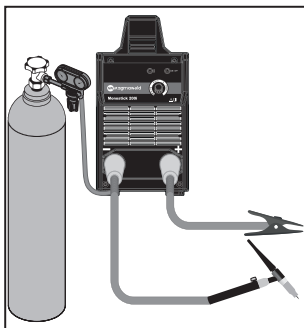


Рисунок 2 : Подсоединения для TIG-сварки

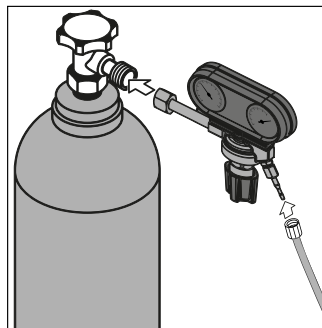


Рисунок 3 : Подсоединение газового баллона



## ТЕХОБСЛУЖИВАНИЕ И УСТРАНЕНИЕ НЕИСПРАВНОСТЕЙ

- Техобслуживание и ремонт сварочного аппарата должны выполняться только квалифицированными специалистами. Компания не несёт ответственности в связи с аварийными ситуациями, возникающими в результате выполнения техобслуживания и ремонта лицами без соответствующей квалификации.
- Запасные части, используемые во время ремонта, можно приобрести в авторизованных техслужбах. Использование оригинальных запасных частей обеспечит продление срока эксплуатации и предупредит снижение рабочих показателей сварочного аппарата.
- Обращайтесь только к производителю или в авторизованные техслужбы, указанные производителем.
- В течение гарантийного срока выполнение любых вмешательств в конструкцию сварочного аппарата без предварительного согласия производителя может стать причиной аннулирования всех гарантийных обязательств производителя.
- Во время выполнения любых процедур техобслуживания и ремонта обязательно соблюдайте правила техники безопасности.
- Перед началом выполнения любых видов процедур техобслуживания или ремонта отсоедините вилку сетевого кабеля сварочного аппарата и выждите 10 секунд для разряда напряжения на конденсаторах.

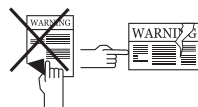
RU

### 3.1 Техобслуживание



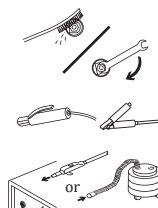
#### Ежедневное Техобслуживание

- Запрещается удалять этикетки с поверхности сварочного аппарата. Изношенные/повреждённые этикетки замените на новые. Этикетки можно приобрести в авторизованных техслужбах.
- Проверьте горелку, зажимы и кабели. Обратите внимание на состояние и прочность соединений частей. Повреждённые/неисправные части замените на новые. Категорически запрещается выполнять ремонт/удлинение кабеля.
- Убедитесь, что имеется достаточная площадь для обеспечения вентиляции.
- Перед началом сварки проверьте расходомером скорость расхода газа на конце горелки. Если расход газа высокий или низкий, установите уровень расхода в соответствии со сварочным процессом.



#### Один Раз В 6 Месяцев

- Очистите и зажмите соединительные элементы, такие как гайки и болты.
- Проверьте кабели электрододержателя и клеммы заземления.
- Откройте боковые крышки сварочного аппарата и очистите внутреннюю часть при помощи сухого воздуха под низким давлением. Не используйте воздух под давлением на близком расстоянии от электрических соединений.
- Проверьте розетку подсоединения вилки электрического кабеля питания к розетке устранили места ослабления соединений, если имеются. Если в гнездах розетки имеются следы воздействия электрической дуги или расширения гнезд, замените розетку на новую.
- Проверьте вилку электрического кабеля питания сварочного аппарата. В точках подсоединения электрического кабеля питания к вилке устранили места ослабления соединений, если имеются. Если на штырях вилки имеются следы воздействия электрической дуги или деформации, замените вилку на новую.



**ПРИМЕЧАНИЕ:** Вышеуказанные периоды являются максимальными периодами для выполнения техобслуживания в случаях, если сварочный аппарат работает без каких-либо сбоев. В зависимости от интенсивности работ и загрязнения рабочей среды, процедуры техобслуживания, указанные выше, должны выполняться с более частой периодичностью

### 3.2 Устранение Неисправностей

В таблице ниже указаны возможные неисправности и рекомендуемые способы устранения.

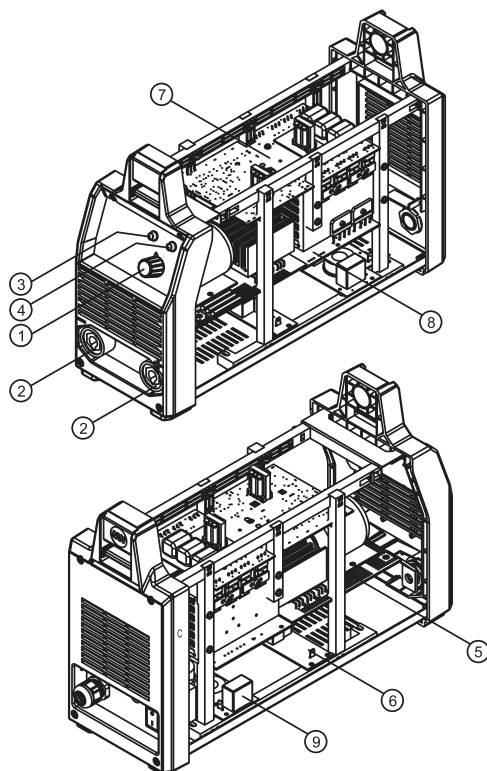
Неисправность	Устранение
На передней панели горит термоиндикатор.	<ul style="list-style-type: none"> <li>• Возможно, превышено время простоя машины. Дайте машине остыть, подождя некоторое время. Если неисправность исчезнет, попробуйте использовать его при более низких значениях силы тока</li> <li>• Вентилятор может не работать. Визуально проверьте, работает ли вентилятор. Если не работает, обратитесь в авторизованный сервис</li> <li>• Передняя часть каналов входа и выхода воздуха может быть заблокирована. Откройте воздуховоды</li> <li>• В рабочей среде машины может быть очень жарко или душно. Убедитесь, что машина размещена в месте, где она может работать более комфортно</li> </ul>
Машина вообще не работает	<ul style="list-style-type: none"> <li>• Убедитесь, что машина подключена к электричеству</li> <li>• Проверьте правильность подключения к сети</li> <li>• Проверьте сетевые предохранители, сетевой кабель и вилку</li> <li>• Проверьте выключатель</li> <li>• Если проблема не устранена, несмотря на то, что вы выполнили все проверки, обратитесь в авторизованный сервисный центр</li> </ul>
Машина плохо сваривает	<ul style="list-style-type: none"> <li>• Убедитесь, что клещи заземления машины подключены к заготовке</li> <li>• Убедитесь, что кабели прочные, а места соединений не подвержены коррозии</li> <li>• Убедитесь, что выбран правильный параметр и процесс</li> <li>• Выполните следующие шаги в соответствии с выбранным вами процессом:               <ol style="list-style-type: none"> <li>1- Проверьте полюс, к которому должен быть подключен электрод, и значение тока, которое необходимо отрегулировать в машине</li> <li>2- Убедитесь, что поток газа открыт, убедитесь, что поток правильный</li> <li>3- Убедитесь, что вольфрамовый наконечник чистый</li> <li>4- Убедитесь, что сварочная горелка прочная</li> <li>5- Если проблема не устранена, несмотря на то, что вы выполнили все проверки, обратитесь в авторизованный сервис</li> </ol> </li> </ul>



## ПРИЛОЖЕНИЯ

### 4.1 Список Запасных Частей

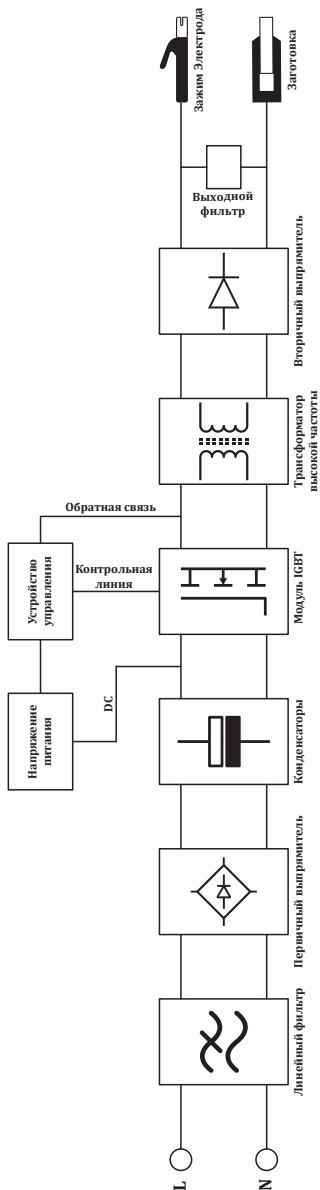
RU



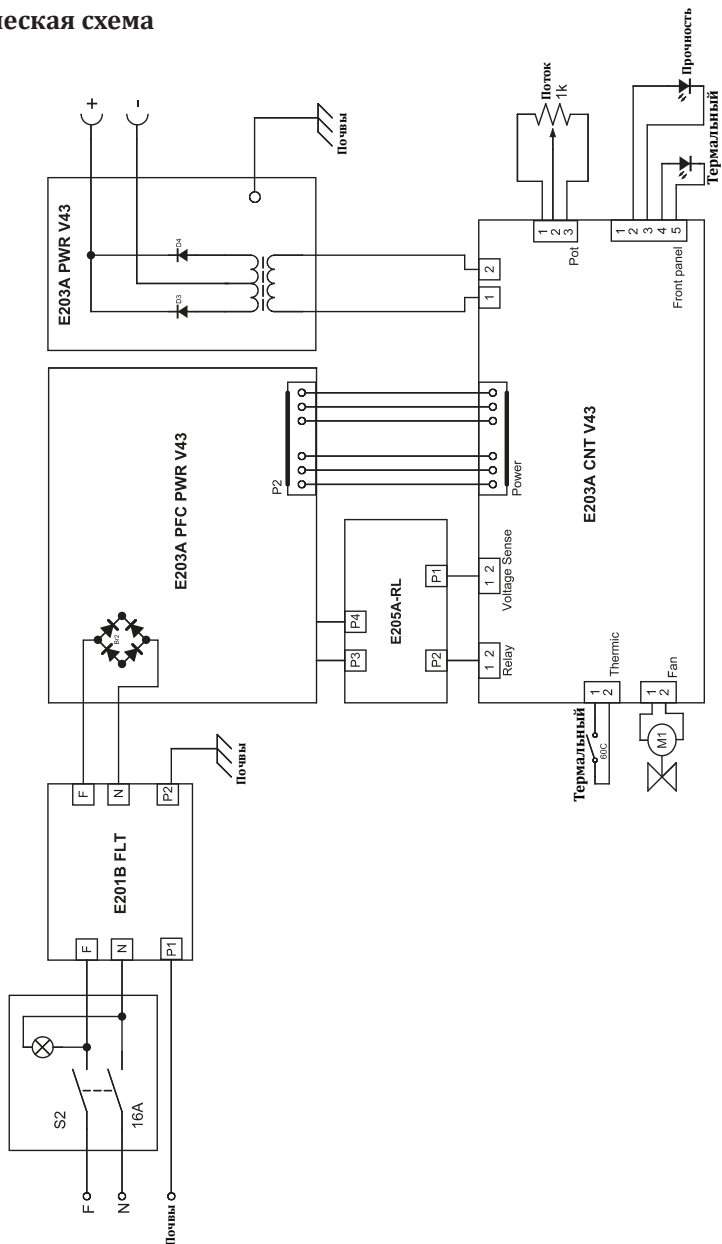
№	ОПИСАНИЕ	monoSTICK 200i
1	Кнопка потенциометра	A229500001
2	Сварочная муфта	A377900104
3	Красный светодиод	A430800001
4	Зеленый светодиод	A430800002
5	Электронная плата E203A PWR	K405000208
6	Электронная плата E205A-RL	K405000212
7	Электронная плата E203A CNT	K405000225
8	Электронная плата E203A PWR 200	K405000226
9	Электронная плата E201B-FLT	K405000101
	Вентилятор	A250200021
	Термостат	A314800106

## 4.2 Схемы подключения

## Блок-схема



## Электрическая схема



 İÇİNDEKİLER

## GÜVENLİK KURALLARI

41

**1 TEKNİK BİLGİLER**

1.1 Genel Açıklamalar

47

1.2 Makine Bileşenleri

47

1.3 Ürün Etiketi

48

1.4 Teknik Özellikler

49

1.5 Aksesuarlar

49

**2 KURULUM BİLGİLERİ**

2.1 Teslim Alırken Dikkat Edilecek Hususlar

50

2.2 Kurulum ve Çalışma Tavsiyeleri

50

2.3 Örtülü Elektrod Kaynağı İçin Bağlantılar

51

2.4 TIG Kaynağı İçin Bağlantılar

51

**3 BAKIM VE ARIZA BİLGİLERİ**

3.1 Bakım

52

3.2 Hata Giderme

53

**4 EKLER**

4.1 Yedek Parça Listesi

54

4.2 Bağlantı Şemaları

55



## ✓ GÜVENLİK KURALLARI

**Kılavuzda Yer Alan Tüm Güvenlik Kurallarına Uyun!**

### Güvenlik Bilgilerinin Tanınması



- Kılavuzda yer alan güvenlik sembolleri potansiyel tehlikelerin tanımlanmasında kullanılır.
- Bu kılavuzda herhangi bir güvenlik sembolü görüldüğünde, bir yaralanma riski olduğu anlaşılmalı ve takip eden açıklamalar dikkatlice okunarak olası tehlikeler engellenmelidir.
- Makine sahibi, yetkisiz kişilerin ekipmana erişmesini engellemekten sorumludur.
- Makineyi kullanan kişiler kaynak / kesme konusunda deneyimli veya tam eğitimli kişiler olup; çalışma öncesinde kullanma kılavuzunu okumalı ve güvenlik uyarılarına uymalıdır.

TR

### Güvenlik Sembollerinin Tanınması



#### DİKKAT

Yaralanma ya da hasara neden olabilecek potansiyel tehlikeli bir durumu belirtir. Önlem alınmaması durumunda yaralanmalara veya maddi kayıplara / hasarlara neden olabilir.



#### ÖNEMLİ

Kullanıma yönelik bilgilendirmeleri ve uyarıları belirtir.



#### TEHLİKE

Ciddi tehlike olduğunu gösterir. Kaçınılması durumunda ölüm veya ağır yaralanmalar meydana gelebilir.

### Güvenlik Uyarılarının Kavranması



- Kullanım kılavuzunu, makine üzerindeki etiket ve güvenlik uyarılarını dikkatli bir şekilde okuyunuz.
- Makine üzerindeki uyarı etiketlerinin iyi durumda olduğundan emin olunuz. Eksik ve hasarlı etiketleri değiştiriniz.
- Makinenin nasıl çalıştırıldığını, kontrollerinin doğru bir şekilde nasıl yapılacağını öğreniniz.
- Makinenizi uygun çalışma ortamlarında kullanınız.
- Makinenizde yapılabilecek uygunsuz değişiklikler makinenizin güvenli çalışmasına ve kullanım ömrüne olumsuz etki eder.
- Cihazın belirtilen koşullar dışında çalıştırılmasından doğan sonuçlardan üretici sorumlu değildir.

### Elektrik Çarpmaları Öldürebilir



**Kurulum prosedürlerinin ulusal elektrik standartlarına ve diğer ilgili yönetmeliklere uygun olduğundan emin olun ve makinenin yetkili kişiler tarafından kurulmasını sağlayın.**

- Kuru ve sağlam izolasyonlu eldiven ve iş önlüğü giyin. Islak ya da hasar görmüş eldiven ve iş önlüklerini kesinlikle kullanmayın.
- Yanma riskine karşı alev dayanıklı koruyucu kıyafetler giyin. Operatörün kullandığı kıyafetler kıvılcım, sıçrıntı ve ark radyasyonuna karşı koruyucu olmalıdır.
- Yalnız başınıza çalışmayın. Bir tehlike durumunda, çalıştığınız ortamda haber verebileceğiniz birinin olduğundan emin olun.
- Elektroda çıplak elle dokunmayın. Elektrod penseninin veya elektrodun herhangi bir kişi ya da topraklanmış nesne ile temas etmesini engelleyin.
- Elektrik taşıyan parçalara kesinlikle dokunmayın.
- Eğer çalışma yüzeyine, zemine ya da başka bir makineye bağlı elektrodla temas halindeyseniz kesinlikle elektrodla dokunmayın.
- Çalışma yüzeyinden ve zeminden kendinizi izole ederek olası muhtemel elektrik şoklarından koruna bilirsiniz. Çalışma yüzeyiyle operatörün temasını kesecek kadar büyük, yanmaz, elektriksiz açıdan yalıtkan, kuru ve hasarsız izolasyon malzemesi kullanın.
- Elektrod pensesine birden fazla elektrod bağlamayın.
- Topraklama pensenini çalışma parçası ya da çalışma masasına metal metale iyi bir temas sağlayacak şekilde olabildiğince yakın bağlayın.
- Makineyi çalıştırmadan önce torcu kontrol edin. Torcun ve kablolarının iyi durumda olduğundan emin olun. Hasarlı, yıpranmış torcu mutlaka değiştirin.
- Çift açık devre voltajı olacağı için 2 farklı makinaya bağlı elektrod penselerine aynı anda dokunmayın.
- Makineyi kullanmadığınız durumlarda kapalı tutun ve kabloların bağlantılarını sökün.
- Makineyi tamir etmeden önce tüm güç bağlantılarını ve/veya bağlantı fişlerini çıkartın ya da makineyi kapatın.
- Uzun şebeke kablosu kullanırken dikkatli olun.
- Tüm bağlantıların sıkı, temiz ve kuru olduğundan emin olun.

- Kabloların kuru, temiz olmasına ve yağlanmamasına özen gösterin. Sıcak metal parçalardan ve kıvılcıklardan koruyun.
- İzolasyonsuz, çıplak kablolar ölümcül tehlike yaratır. Tüm kabloları olası hasarlarla karşı sık sık kontrol edin. Hasarlı ya da izolasyonsuz bir kablo tespit edildiğinde derhal tamir edin veya değiştirin.
- Topraklama sensesi iş parçasına bağlı değil ise herhangi bir metal nesneyle temasını önlemek için izole edin.
- Elektrik hattının topraklamasının doğru yapıldığından emin olun.
- AC kaynak çıkışı ıslak, nemli ya da sıkışık alanlarda ve düşme tehlikesi bulunan yerlerde kullanmayın.
- AC çıkışı yalnızca kaynak prosesi için gerekli olduğu durumlarda kullanın.
- AC çıkış gerekli olduğu durumlarda eğer makinanızda mevcut ise uzaktan kontrol ünitesini kullanın.

**Aşağıdaki elektriksiz açılan tehlike içeren durumlardan biri mevcut olduğunda ekstra güvenlik önlemleri alın;**

- Nemli yerlerdeyken veya ıslak kıyafetler giyerken,
  - Metal zemin, ızgara veya iskele yapılarında iken,
  - Oturma, diz çökme veya yatma gibi sıkışık konumlarda iken,
  - İş parçası veya zemine temas etme riski yüksek veya kaçınılmaz olduğunda.
- Bu durumlarda aşağıdaki ekipmanlar kullanılabilir;
- Yarı otomatik DC sabit gerilim (CV) MIG kaynak makinesi,
  - DC manuel Örtülü elektrod kaynak makinesi,
  - Var ise düşük açık devre gerilimine (VRD) sahip DC veya AC kaynak makinesi.

**Elektrik Çarpması  
Durumunda  
Uygulanması  
Gerekenler**



- Elektrik gücünü kapatın.
- Elektrik şokuna kapılmış kazazedeyi elektrik taşıyan kablo veya parçalardan kurtarmak için kuru odun gibi iletken olmayan malzemeler kullanın.
- Acil servisi arayın.

**İlk yardım eğitiminiz var ise;**

- Kazazede nefes alamıyorsa elektrik kaynağı ile temas kesildikten hemen sonra kalp masajı (CPR) uygulayın. Solunum başlayana veya yardım gelene kadar kalp masajına devam edin.
- Otomatik bir elektronik defibrilatörün (AED) mevcut olduğu durumlarda talimatlara uygun şekilde kullanın.
- Elektrik yanığını termal yanık gibi soğuk kompres uygulayarak tedavi edin.
- Enfeksiyon kapmasını önleyin ve temiz, kuru bir örtü ile örtün.

**Hareketli Parçalar  
Yaralanmalara  
Yol Açabilir**



- Hareket halinde olan nesnelere uzak durun.
- Makine ve cihazlara ait tüm kapak, panel, kapı vb. koruyucuları kapalı ve kilitli tutun.
- Ağır cisimlerin düşme olasılığına karşı metal burunlu ayakkabı giyin.

**Duman ve Gazlar  
Sağlığınız İçin  
Zararlı Olabilir**



**Kaynak ve kesme işlemi yapılırken çıkan duman ve gazın uzun süre solunması çok tehlikelidir.**

- Gözlerde, burunda ve boğazda meydana gelen yanma hissi ve tahrişler; yetersiz havalandırmanın belirtileridir. Böyle bir durumda derhal havalandırmayı arttırın, sorunun devam etmesi halinde kaynak / kesme işlemini durdurun.
- Çalışma alanında doğal ya da suni bir havalandırma sistemi oluşturun.
- Kaynak / kesme işlemi yapılan yerlerde uygun bir duman emme sistemi kullanın. Gerekiyorsa tüm atölyede biriken duman ve gazları dışarıya atabilecek bir sistem kurun. Deşarj esnasında çevreyi kirletmemek için uygun bir filtrasyon sistemi kullanın.
- Dar ve kapalı alanlarda çalışıyorsanız veya kurşun, berilyum, kadmiyum, çinko, kaplı ya da boyalı malzemelerin kaynağını yapıyorsanız, yukarıdaki önlemlere ilave olarak temiz hava sağlayan maskeler kullanın.
- Gaz tüpleri ayrı bir bölgede gruplandırılmışsa buraların iyi havalandırmasını sağlayın, gaz tüpleri kullanımında değilken ana vanalarını kapalı tutun, gaz kaçaklarına dikkat edin.
- Argon gibi koruyucu gazlar havadan daha yoğun ve kapalı alanlarda kullanıldıkları takdirde havanın yerine solunabilirler. Bu da sağlığınız için tehlikelidir.
- Kaynak / kesme işlemlerini yağlama veya boyama işlemlerinde açığa çıkan klorlu hidrokarbon buharlarının olduğu ortamlarda yapmayın.
- Bazı kaynak / kesim yapılan parçalar için özel havalandırma gerekir. Özel havalandırma gerektiren ürünlerin güvenlik kuralları dikkatlice okunmalıdır. Gaz maskesi takılması gereken durumlarda uygun gaz maskesi takılmalıdır.

**Sıçrıntı ve Ark Işığı  
Gözlerinizi ve Cildinizi  
Zarar Verebilir**



- Gözlerinizi ve yüzünüzü korumak için standarda uygun koruyucu maske ile ona uygun cam filtre kullanın.
- Vücutunuzun diğer çıplak kalan yerlerini (kollar, boyun, kulaklar, vb) uygun koruyucu giysilerle sıçrıntı ve ark ışınlarından koruyun.
- Çevrenizdeki kişilerin ark ışınlarından ve sıcak metallere zarar görmemeleri için çalışma alanınızı göz hizasından yüksek, aleve dayanıklı paravanlarla çevirin ve uyarı levhaları asın.
- Buz tutmuş boruların ısıtılmasında kullanılmaz. Kaynak / kesme makinesiyle yapılan bu işlem tesisatınızda patlama, yangın veya hasara neden olur.

**Kıvılcımlar ve Sıçrayan  
Parçalar Gözlerinizi  
Yaralayabilir**



- Kaynak / kesme yapmak, yüzey taşlamak, fırçalamak gibi işlemler kıvılcımlara ve metal parçacıklarının sıçramasına neden olur. Oluşabilecek yaralanmaları önlemek için koruyucu maskesinin altına, kenar korumalıkları olan onaylanmış koruyucu iş gözlükleri takın.

**Sıcak Parçalar  
Ağır Yanıklara  
Neden Olabilir**



- Sıcak parçalara çıplak el ile dokunmayın.
- Makinenin parçaları üzerinde çalışmadan önce soğumaları için gerekli sürenin geçmesini bekleyin.
- Sıcak parçaları tutmanız gerektiğinde, uygun alet, ısıl izolasyonu yüksek kaynak / kesme eldiveni ve yanmaz giysiler kullanın.

**Gürültü, Duyma  
Yeteneğinize  
Zarar Verebilir**



- Bazı ekipman ve işlemlerin oluşturacağı gürültü, duyma yeteneğinize zarar verebilir.
- Eğer gürültü seviyesi yüksek ise onaylanmış kulak koruyucularını takın.

**Kaynak Teli  
Yaralanmalara  
Yol Açabilir**



- Kaynak teli sargısını boşaltırken torcu vücudun herhangi bir bölümüne, diğer kişilere ya da herhangi bir metale doğru tutmayın.
- Kaynak telini makaradan elle açarken özellikle ince çaplarda tel, bir yay gibi elinizden fırlayabilir, size veya çevrenizdeki diğer kişilere zarar verebilir; bu işlemi yaparken özellikle gözlerinizi ve yüzünüzü koruyun.

**Kaynak / Kesme İşlemi  
Yangınlara ve  
Patlamalara  
Yol Açabilir**



- Yanıcı maddelere yakın yerlerde kesinlikle kaynak / kesim yapmayın. Yangın çıkabilir veya patlamalar olabilir.
- Kaynak / kesme işlemine başlamadan önce bu maddeleri ortamdan uzaklaştırın veya yanmalarını ve harlamalarını önlemek için koruyucu örtülerle üstlerini örtün.
- Bu alanlarda ulusal ve uluslararası özel kurallar geçerlidir.

- Tamamen kapalı tüplere ya da borulara kaynak / kesme işlemi uygulamayın.
- Tüp ve kapalı konteynerlere kaynak / kesme yapmadan önce bunları açın, tamamıyla boşaltıp, havalandırıp temizleyin. Bu tip yerlerde yapacağımız kaynak / kesme işlemlerinde mümkün olan en büyük dikkati gösterin.
- İçinde daha önce, patlama, yangın ya da diğer tepkimelere neden olabilecek maddeler bulunan tüp ve borulara boş dahi olsalar kaynak / kesme yapmayın.
- Kaynak / kesme işlemi esnasında yüksek sıcaklık oluşur. Bu nedenle kolay yanabilecek veya hasar görebilecek yüzeylerin üzerine yerleştirmeyin !

- Kıvılcımlar ve sıçrayan parçalar yangına sebep olabilir. Bu nedenle yangın söndürücü tüp, su, kum gibi malzemeleri kolay ulaşabileceğiniz yerlerde bulundurun.
- Yanıcı, patlayıcı ve basınçlı gaz devreleri üzerinde geri tepme ventilleri, gaz regülatörleri ve vanalarını kullanın. Bunların periyodik kontrollerinin yapıpı sağlıklı çalışmasına dikkat edin.

**Makine ve Aparatların Yetkisiz  
Kişiler Tarafından Bakım  
Yapılması Yaralanmalara  
Neden Olabilir**



- Elektrikli cihazlar yetkisiz kişilere tamir ettirilmemelidir. Burada yapılabilecek hatalar kullanımda ciddi yaralanmalara veya ölümlere neden olabilir
- Gaz devresi elemanları basınç altında çalışmaktadır; yetkisiz kişiler tarafından verilen servisler sonucunda patlamalar olabilir, kullanıcılar ciddi şekilde yaralanabilir.
- Makinanın ve yan birimlerinin her yıl en az bir kez teknik bakımının yaptırılması tavsiye edilir.

**Küçük Hacimli Kapalı Alanlarda Kaynak / Kesme**

- Küçük hacimli ve kapalı alanlarda mutlaka bir başka kişi eşliğinde kaynak / kesme işlemlerini yapın.
- Mümkün olduğu kadar bu tarz kapalı yerlerde kaynak / kesme işlemleri yapmaktan kaçınınız.



**Taşıma Esnasında Gerekli Önlemlerin Alınmaması Kazalara Neden Olabilir**



- Makinenin taşınmasında gerekli tüm önlemleri alınız. Taşıma yapılacak alanlar, taşımada kullanılacak parçalar ile taşımayı gerçekleştirecek kişinin fiziki koşulları ve sağlığı taşıma işlemine uygun olmalıdır.
- Bazı makineler son derece ağırdır, bu nedenle yerleri değiştirirken gerekli çevresel güvenlik önlemlerinin alındığından emin olunmalıdır.
- Makine bir platform üzerinden kullanılacaksa, bu platformun uygun yük taşıma sınırlarına sahip olduğu kontrol edilmelidir.
- Bir vasıta yardımı ile (taşıma arabası, forklift vb.) taşınacak ise vasıtanın ve makineyi vasıtaya bağlayan bağlantı noktalarının (taşıma askısı, kayış, civata, somun, tekerlek vb.) sağlamlığından emin olunuz.
- Elle taşıma işlemi gerçekleştirilecek ise Makine aparatlarının (taşıma askısı, kayış vb.) ve bağlantılarının sağlamlığından emin olunuz.
- Gerekli taşıma koşullarının sağlanması için Uluslararası Çalışma Örgütünün taşıma ağırlığı ile ilgili kurallarını ve ülkenizde var olan taşıma yönetmeliklerini göz önünde bulundurunuz.
- Güç kaynağının yerini değiştirirken her zaman tutamakları veya taşıma halkalarını kullanın. Asla torç, kablo veya hortumlardan çekmeyin. Gaz tüplerini mutlaka ayrı taşıyın.
- Kaynak / kesme ekipmanlarını taşımadan önce tüm ara bağlantılarını sökün, ayrı ayrı olmak üzere, küçük olanları saplarından, büyükleri ise taşıma halkalarından ya da forklift gibi uygun kaldırma ekipmanları kullanarak kaldırın ve taşıyın.

**Düşen Parçalar Yaralanmalara Sebep Olabilir**



**Güç kaynağının ya da diğer ekipmanların doğru konumlandırılmaması, kişilerde ciddi yaralanmalara ve diğer nesnelere de maddi hasara neden olabilir.**

- Makinenizi düşmeyecek ve devrilmeyecek şekilde maksimum 10° eğime sahip zemin ve platformlara yerleştirin. Malzeme akışına engel olmayacak, kablo ve hortumlara takılma riskinin oluşmayacağı, hareketsiz; ancak geniş, rahat havalandırılabilir, tozsuz alanları tercih edin. Gaz tüplerinin devrilmemesi için tüpe uygun gaz platformu bulunan makinelerde platformun üzerine, sabit kullanımlarda ise devrilmeyecek şekilde zincirle duvara sabitleyin.
- Operatörlerin makine üzerindeki ayarlara ve bağlantılara kolayca ulaşmasını sağlayın.

**Aşırı Kullanım Makinenin Aşırı Isınmasına Neden Olur**



- Çalışma çevrimi oranlarına göre makinenin soğumasına müsaade edin.
- Akımı veya çalışma çevrimi oranını tekrar kaynağa / kesmeye başlamadan önce düşürün.
- Makinenin havalandırma girişlerinin önünü kapamayın.
- Makinenin havalandırma girişlerine, üretici onayı olmadan filtre koymayın.

**Ark Kaynağı Elektromanyetik Parazitlere Neden Olabilir**



- Bu cihaz TS EN 55011 standardına göre EMC testlerinde grup 2, class A dir.
- Bu class A cihaz elektriksel gücün alçak gerilim şebekeden sağlandığı meskun mahallerde kullanım amacıyla üretilmemiştir. Bu gibi yerlerde iletilen ve yayılan radyo frekans parazitlerinden dolayı elektromanyetik uyumluluğu sağlamakla ilgili muhtemel zorluklar olabilir.



Bu cihaz IEC 61000 -3 - 12 uyumlu değildir. Evlerde kullanılan alçak gerilim şebekesine bağlanmak istenmesi durumunda, elektrik bağlantısını yapacak tesisatçının veya makineyi kullanacak kişinin, makinenin bağlanabilirliği konusunda bilgi sahibi olması gereklidir, bu durumda sorumluluk kullanıcıya aittir.

- Çalışma bölgesinin elektromanyetik uyumluluğa (EMC) uygun olduğundan emin olun. Kaynak / kesme işlemi esnasında oluşabilecek elektromanyetik parazitler, elektronik cihazlarınızda ve şebekenizde istenmeyen etkilere neden olabilir. İşlem sırasında oluşabilecek bu parazitlerin neden olabileceği etkiler kullanıcının sorumluluğu altındadır.
- Eğer herhangi bir parazit oluşuyorsa, uygunluğu sağlamak için; kısa kablo kullanımı, korumalı (zırhlı) kablo kullanımı, makinenin başka bir yere taşınması, kabloların etkilenen cihaz ve/veya bölgeden uzaklaştırılması, filtre kullanımı veya çalışma alanının EMC açısından korunmaya alınması gibi ekstra önlemler alınabilir.
- Olası EMC hasarlarını engellemek için kaynak / kesme işlemlerinizi hassas elektronik cihazlarınızdan mümkün olduğunca uzakta (100 m) gerçekleştirin.
- Makinenizi kullanma kılavuzuna uygun şekilde kurulum yerleştirildiğinden emin olun.

**Çalışma Alanının IEC 60974-9 madde 5.2'ye göre;****Elektromanyetik Uygunluğunun Değerlendirilmesi**

Kaynak / kesme donanımı tesis etmeden önce, işletme yetkilisi ve / veya kullanıcı, çevredeki olası elektromanyetik parazitler hakkında bir inceleme yapmalıdır. Aşağıda belirtilen haller göz önünde bulundurulmalıdır;

- Kaynak / kesme makinesi ve donanımının üstünde, altında ve yanındaki diğer besleme kabloları, kontrol kabloları, sinyal ve telefon kabloları,
- Radio ve televizyon vericileri ve alıcıları,
- Bilgisayar ve diğer kontrol donanımı,
- Kritik güvenlik donanımı, örneğin endüstriyel donanımın korunması,
- Çevredeki insanların tıbbi aparatları, örneğin kalp pilleri ve işitme cihazları,
- Ölçme veya kalibrasyon için kullanılan donanım,
- Ortamdaki diğer donanımın bağlılığı. Kullanıcı, çevrede kullanılmakta olan diğer donanımın uyumlu olmasını sağlamalıdır. Bu, ilave koruma önlemleri gerektirebilir,
- Kaynak / kesme işleminin gün içindeki gerçekleştirileceği zaman, göz önüne alınarak çevrenin büyüklüğü, binanın yapısına ve binada yapılmakta olan diğer faaliyetlere göre inceleme alanı sınırları genişletilebilir.

Alanın değerlendirilmesine ek olarak cihaz kurulumlarının değerlendirilmesi de bozucu etkinin çözümü için gerekli olabilir. Gerek görülmesi durumunda, yerinde ölçümler azaltıcı önlemlerin verimliliklerini onaylamak için de kullanılabilir.

(Kaynak: IEC 60974-9).

**Parazit Azaltma Yöntemleri**

- Cihaz tavsiye edilen şekilde ve yetkili bir kişi tarafından elektrik şebekesine bağlanmalıdır. Eğer parazit oluşursa şebekenin filtelenmesi gibi ek önlemler uygulanabilir. Sabit montajlı ark kaynağı ekipmanının beslemesi metal bir boru içerisinden veya eşdeğer ekranlı bir kablo ile yapılmalıdır. Ekran ile güç kaynağının mahfazası bağlı olmalı ve bu iki yapı arasında iyi bir elektriksel temas sağlanmalıdır.
- Cihazın tavsiye edilen rutin bakımları yapılmalıdır. Cihaz kullanımdayken, kaportanın tüm kapakları kapalı ve / veya kilitle olmalıdır. Cihaz üzerinde üreticinin yazılı onayı olmadan standart ayarları dışında herhangi bir değişiklik, modifikasyon kesinlikle yapılamaz. Aksi durumda oluşabilecek her türlü sonuçtan kullanıcı sorumludur.
- Kaynak / kesme kabloları mümkün olduğunca kısa tutulmalıdır. Çalışma alanının zemininden yan yana olacak şekilde ilerlemelidirler. Kaynak / kesme kabloları hiçbir şekilde sarılmamalıdır.
- Kaynak / kesme esasında makinede manyetik alan oluşmaktadır. Bu durum makinenin metal parçaları kendi üzerine çekmeye sebebiyet verebilir. Bu çekimi engellemek adına metal malzemelerin güvenli mesafede veya sabitlenmiş olduğundan emin olunuz. Operatör, bütün bu birbirine bağlanmış metal malzemelerden yalıtılmalıdır.
- İş parçasının elektriksel güvenlik amacıyla veya boyutu ve pozisyonu sebebiyle toprağa bağlanmadığı durumlarda (örneğin gemi gövdesi veya çelik konstrüksiyon imalatı) iş parçası ile toprak arasında yapılacak bir bağlantı bazı durumlarda emisyonları düşürebilir. İş parçasının topraklanmasının kullanıcıların yaralanmasına veya ortamdaki diğer elektrikli ekipmanların arıza yapmasına neden olabileceği unutulmamalıdır. Gerekli hallerde iş parçası ile toprak bağlantısı doğrudan bağlantı şeklinde yapılabilir fakat doğrudan bağlantıya izin verilemeyen bazı ülkelerde bağlantı yerel düzenleme ve yönetmeliklere uygun olarak, uygun kapasite elemanları kullanılarak oluşturulabilir.
- Çalışma alanındaki diğer cihazların ve kabloların ekranlanması ve muhafazası bozucu etkilerin önüne geçilmesini sağlayabilir. Kaynak / kesme bölgesinin tamamının ekranlanması bazı özel uygulamalar için değerlendirilebilir.

**Elektromanyetik Alan (EMF)**

Herhangi bir iletken üzerinden geçen elektrik akımı, bölgesel elektrik ve manyetik alanlar (EMF) oluşturur.

Operatörler EMF'ye maruz kalmının sebep olduğu riski en aza indirmek için aşağıdaki prosedürleri uygulamalıdır;

- Manyetik alanı azaltmak adına kaynak / kesme kabloları bir araya getirilmeli, mümkün olduğunca birleştirici malzemelerle (bant, kablo bağı vb.) emniyet altına alınmalıdır.
- Operatörün gövdesi ve başı, kaynak / kesme makine ve kablolarından mümkün olduğunca uzakta tutulmalıdır,
- Kaynak / kesme ve elektrik kabloları vücudun etrafına hiçbir şekilde sarılmamalıdır,
- Vücut, kaynak / kesme kablolarının arasında kalmamalıdır. Kaynak / kesme kablolarının her ikisi yan yana olmak üzere vücudun uzağında tutulmalıdır,
- Dönüş kablosu iş parçasına, kaynak / kesme yapılan bölgeye mümkün olduğunca yakın bir şekilde bağlanmalıdır,
- Güç ünitesine yaslanmamalı, üzerine oturmamalı ve çok yakınında çalışılmamalıdır,
- Güç ünitesini veya tel besleme ünitesini taşıyan kaynak / kesme işlemi yapılmamalıdır.

EMF ayrıca, kalp pilleri gibi tıbbi implantların (vücut içine yerleştirilen madde) çalışmasını bozabilir. Tıbbi implantları olan kişiler için koruyucu önlemler alınmalıdır. Örneğin, yoldan geçenler için erişim sınırlaması koyulabilir veya operatörler için bireysel risk değerlendirmeleri yapılabilir. Bir tıp uzmanı tarafından, tıbbi implantları olan kullanıcılar için risk değerlendirmesi yapıp, öneride bulunulmalıdır.

**Koruma**

- Makineyi yağmura maruz bırakmayın, üzerine su sıçramasına veya basınçlı buhar gelmesine engel olun.

**Enerji Verimliliği**

- Yapacağınız kaynak / kesme işlemine uygun yöntem ve makine tercihinde bulunun.
- Kaynak / kesme yapacağınız malzemeye ve kalınlığına uygun akım ve / veya gerilimi seçin.
- Kaynak / kesme yapmadan uzun süre beklenilecekse, fan makineyi soğuttuktan sonra makineyi kapatın. Akıllı fan kontrolü olan makinelerimiz kendi kendine duracaktır.

**Atık Prosedürü**

- Bu cihaz evsel atık değildir. Avrupa Birliği direktifi ile ulusal yasa çerçevesinde geri dönüşüme yönlendirilmek zorundadır.
- Kullanılmış makinенizin atık yönetimi hakkında satıcınızdan ve yetkili kişilerden bilgi edinin.



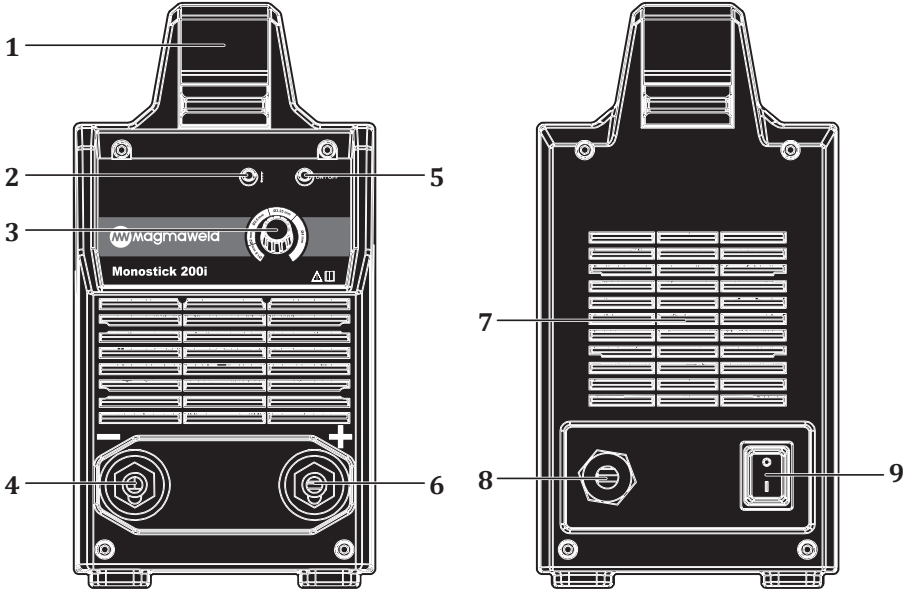
## TEKNİK BİLGİLER

### 1.1 Genel Açıklamalar

monoSTICK 200i doğru akım çıkışlı, kolay taşınabilir, monofaze invertör teknolojisi ile üretilmiş, 4.0 mm ye kadar örtülü elektrod yakabilen bir kaynak makinesidir. Invertör teknolojisinin düşük kaynak karakteristiği ile optimizasyonu neticesinde, kararlı ark ve iyi bir yeniden tutuşma performansı vermektedir. monoSTICK 200i 185 V ila 250 VAC arasında 50/60 Hz şebeke geriliminde çalışabilir. Jeneratörlerle de kusursuz çalışır. 25 metre uzunluğa kadar kaynak kablolarıyla da kullanılabilir. Fan soğutmalı ve aşırı ısınmaya karşı termik korumalıdır.

TR

### 1.2 Makine Bileşenleri



Şekil 1: monoSTICK 200i

- |  |  |
|--|--|
| 1- Tutamak                             | 6- Kaynak ve Toprak Kablosu Soketi (+) |
| 2- Termik / Arıza Ledi                 | 7- Fan                                 |
| 3- Akım Ayar Potu                      | 8- Besleme Kablosu Girişi              |
| 4- Kaynak ve Toprak Kablosu Soketi (-) | 9- Açma / Kapama Düğmesi               |
| 5- Açma / Kapama Ledi                  |  |

### 1.3 Ürün Etiketi

MAGMA MEKATRONİK MAKİNE SAN. VE TİC. A.Ş.			
Organize Sanayi Bölgesi 5.Kısım Manisa-TÜRKİYE			
MONOSTICK 200i		Serî No :	
		EN 60974-1 / EN 60974-10 / Class A	
10A / 20.4V - 200A / 28V			
	X	14%	60%
		100%	
	I <sub>2</sub>	200A	107A
		85A	
	U <sub>0</sub> =65V	U <sub>2</sub>	28V
		24.3V	23.4V
	I <sub>1</sub>	42.1A	20A
		15.8A	
	S <sub>1</sub>	9.7kVA	4.6kVA
		3.6kVA	
	U <sub>1</sub> =230V	I <sub>1max</sub> = 42.1A	I <sub>1eff</sub> = 15.8A
	1~(50-60Hz)		
	IP23S	CE	



Tek Fazlı Transformatör Doğrultucu

X

Çalışma Çevrimi



Örtülü Elektrod Kaynağı

U<sub>0</sub>

Boşta Çalışma Gerilimi



Doğru Akım

U<sub>1</sub>

Şebeke Gerilimi ve Frekansı



Düşey Karakteristik

U<sub>2</sub>

Anma Kaynak Gerilimi



Şebeke Girişi-1 Fazlı Alternatif Akım

I<sub>1</sub>

Şebekeden Çekilen Anma Akımı



Tehlikeli Ortamlarda Çalışmaya Uygun

I<sub>2</sub>

Anma Kaynak Akımı

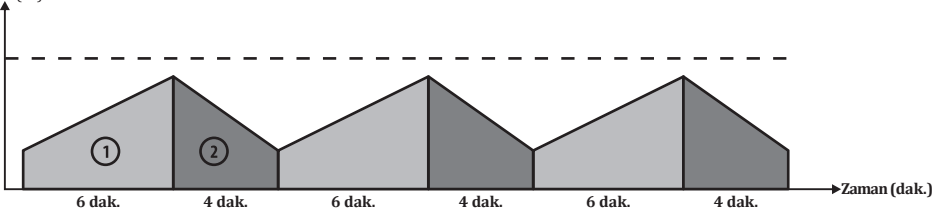
S<sub>1</sub>

Şebekeden Çekilen Güç

IP23S

Koruma Sınıfı

Çalışma Çevrimi  
Sıcaklık (C°)



EN 60974-1 standardında da tanımlandığı üzere çalışma çevrim oranı 10 dakikalık bir zaman periyodunu içerir. Örnek olarak %60'da 250A olarak belirtilen bir makinede 250A'de çalışılmak isteniyorsa, makine 10 dakikalık zaman periyodunun ilk 6 dakikasında hiç durmadan kaynak yapabilir (1 bölgesi). Ancak bunu takip eden 4 dakika makine soğuması için boşta beklentilmelidir (2 bölgesi).



## 1.4 Teknik Özellikler

TEKNİK ÖZELLİKLER	BİRİM	monoSTICK 200i
Şebeke Gerilimi (1-Faz 50-60 Hz)	V	230
Şebekeden Çekilen Güç	kVA	9.7
Devrede Kalma Oranı (25°C)		%35
EN 60974 -1 (I/X%)		200 / 14
Kaynak Akım Ayar Sahası	ADC	10 - 200
Anma Kaynak Akımı	ADC	200
Açık Devre Gerilimi	VDC	65
Kaynak Elektrod Çapı Aralığı	mm	1.60 - 4.00
Boyutlar (u x g x y)	mm	467 x 160 x 312
Ağırlık	kg	10.5
Koruma Sınıfı		IP 23S

## 1.5 Aksesuarlar

STANDART AKSESUARLAR	ADET	ÜRÜN KODU
Topraklama Pensesi ve Kablosu	1	7905212503 (25 mm <sup>2</sup> - 3 m)
Elektrod Pensesi ve Kablosu	1	7906202503 (25 mm <sup>2</sup> - 3 m)

## KURULUM BİLGİLERİ

### 2.1 Teslim Alırken Dikkat Edilecek Hususlar

Sipariş ettiğiniz tüm malzemelerin gelmiş olduğundan emin olun. Herhangi bir malzemenin eksik veya hasarlı olması halinde derhal aldığınız yer ile temasa geçin.

Standart kutu şunları içermektedir :

- Ana makine ve ona bağlı şebeke kablosu
- Topraklama pensesi ve kablosu
- Elektrod pensesi ve kablosu
- Garanti belgesi
- Kullanım kılavuzu

Hasarlı teslimat halinde tutanak tutun, hasarın resmini çekin, irsaliyenin fotokopisi ile birlikte nakliyeci firmaya bildirin. Sorunun devam etmesi halinde müşteri hizmetleri ile irtibata geçin.

### Cihaz üzerindeki sembol ve anlamları



Kaynak yapma işlemi tehlike içermektedir. Uygun çalışma koşulları sağlanmalı ve gerekli önlemler alınmalıdır. Uzman kişiler makinede sorumlu olup, gerekli donanımları sağlamalıdır. İlgili olmayan kişiler kaynak sahasından uzak tutulmalıdır.



Bu cihaz IEC 61000-3-12 uyumlu değildir. Evlerde kullanılan alçak gerilim şebekesine bağlanmak istenmesi durumunda, elektrik bağlantısını yapacak tesisatçının veya makineyi kullanacak kişinin, makinenin bağlanabilirliği konusunda bilgi sahibi olması gereklidir; bu durumda sorumluluk kullanıcıya aittir.



Cihaz üzerinde ve kullanım kılavuzunda bulunan güvenlik sembollerine ve uyarı notlarına dikkat edilmeli, etiketleri sökülmemelidir.



İzgaralar havalandırma amaçlıdır. Açıklıkların üzeri iyi bir soğutma sağlamak amacıyla örtülmemeli ve içeriye yabancı cisim sokulmamalıdır.

### 2.2 Kurulum ve Çalışma Tavsiyeleri

- Daha iyi performans için, makineyi çevresindeki nesnelere en az 30 cm uzağa yerleştirin. Makine çevresindeki aşırı ısınma, toz ve neme dikkat edin.
- Makineyi direk güneş ışığı altında çalıştırmayın. Ortam sıcaklığının 40 °C' yi aştığı durumlarda, makineyi daha düşük akımda ya da daha düşük çalışma çevrim oranında çalıştırın.
- Dış mekanlarda rüzgar ve yağmur varken kaynak yapmaktan kaçının. Bu tür durumlarda kaynak yapmak zorunluysa, kaynak bölgesini ve kaynak makinesini perde ve tenteye koruyun. İçeride kaynak yapıyorsanız, uygun bir duman emme sistemi kullanın. Kapalı mekanlarda kaynak dumanı ve gazı soluma riski varsa, solunum aparatları kullanın.
- Ürün etiketinde belirtilen çalışma çevrimi oranlarına uyun. Çalışma çevrimi oranlarını sıklıkla asmak, makineye hasar verebilir ve bu durum garantiyi geçersiz kılabilir.
- Sisteminize uygun sigortayı kullanın.
- Toprak kablosunu kaynak bölgesinin olabildiğince yakınına, sıkıca bağlayın.
- Kaynak akımının kaynak kabloları dışındaki ekipmanlar üzerinden geçmesine izin vermeyin.
- Gaz tüpünü zincirle duvara sabitleyin.
- Çalışma sırasında kaynak kabloları ve şebeke kablosu makine gövdesine sarılı olmamalıdır.

## 2.3 Örtülü Elektrod Kaynağı İçin Bağlantılar



**Makineyi şebekeye bağlamadan önce şebekede doğru gerilimin olup olmadığını kontrol edin. Fişi prize takarken, açma kapama düğmesinin kapalı konumda "0" olduğundan emin olun.**

- Açma / kapama düğmesi ile makineyi çalıştırın ve açma / kapama ledinin yanıp yanmadığını ve soğutma fanının çalışıp çalışmadığını kontrol edin.
- Kaynak ve topraklama kablolarını kullanılacak elektroda ve elektrodun üreticisinin tavsiye ettiği kutuplara göre kaynak ve toprak kablosu soketlerine takip saat yönünde çevirerek sıkın.
- Toprak pensesini kaynak bölgesine olabildiğince yakın olacak şekilde iş parçasına bağlayın.
- Kaynak akımını ayarlayın. Makine kaynağa hazırdır.
- Aşağıdaki tablo alaşimsız çeliklerin amper ayarı için referans olarak verilmiştir. Lütfen elektrod üreticisinin tavsiyelerini uyunuz.

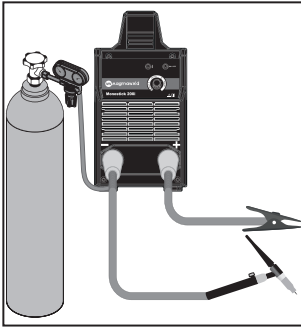
Örtülü Elektrod Çapı (mm)	Tavsiye Edilen Kaynak Akımı		
	Rutil	Bazik	Selülozik
2.0	40-60 A	-	-
2.5	60-90 A	60-90 A	60-100 A
3.25	100-140 A	100-130 A	70-130 A
4.0	140-180 A	140-180 A	120-170 A

## 2.4 TIG Kaynağı İçin Bağlantılar

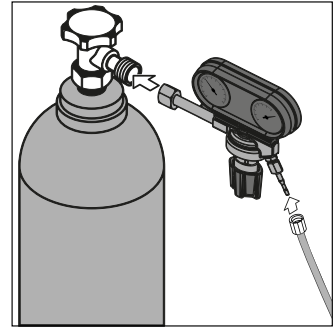


**Makineyi şebekeye bağlamadan önce şebekede doğru gerilimin olup olmadığını kontrol edin. Fişi prize takarken, açma kapama düğmesinin kapalı konumda "0" olduğundan emin olun.**

- Açma/kapama düğmesi ile makineyi çalıştırın ve açma/kapama ledinin yanıp yanmadığını ve soğutma fanının çalışıp çalışmadığını kontrol edin.
- Gaz valfli bir TIG torcu kullanılmalıdır.
- TIG torcunun güç kablosunu eksi kutuplu sokete bağlayın ve topraklama kablosunun artı kutuplu sokete bağlayın.
- Argon gaz regülatörünü argon gaz tüpüne bağlayın.
- Torcun gaz hortumunu gaz regülatörüne bağlayın.
- Kaynak akımını ayarlayın. Makine kaynağa hazırdır.



Şekil 2 : TIG Kaynağı Bağlantıları



Şekil 3 : Gaz Tüpü Bağlantısı



## BAKIM VE ARIZA BİLGİLERİ

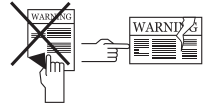
- Makineye yapılacak bakım ve onarımların mutlaka yetkin kişiler tarafından yapılması gerekmektedir. Yetkisiz kişiler tarafından yapılacak müdahaleler sonucu oluşacak kazalardan firmamız sorumlu değildir.
- Onarım esnasında kullanılacak parçaları yetkili servislerimizden temin edebilirsiniz. Orjinal yedek parça kullanımı makinenizin ömrünü uzatacağı gibi performans kayıplarını engeller.
- Her zaman üreticiye veya üretici tarafından belirtilen yetkili bir servise başvurun.
- Garanti süresi içerisinde üretici tarafından yetkilendirilmemiş herhangi bir girişiminde tüm garanti hükümleri geçersiz olacaktır.
- Geçerli güvenlik kurallarına bakım onarım işlemleri sırasında mutlaka uyunuz.
- Tamir için makinenin herhangi bir işlem yapılmadan önce, makinenin elektrik fişini şebekeden ayırınız ve kondansatörlerin boşalması için 10 saniye bekleyiniz.

### 3.1 Bakım



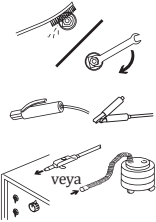
#### Günlük Bakım

- Cihaz üzerindeki uyarı etiketlerini sökmeyiniz. Yıpranmış / yırtılmış etiketleri yenisi ile değiştiriniz. Etiketleri yetkili servisten temin edebilirsiniz.
- Torcun, penselerin ve kablolarınızın kontrolünü yapınız. Parçaların bağlantılarına ve sağlamlığına dikkat ediniz. Hasar görmüş / arızalı parçaları yenisi ile değiştiriniz. Kablolara ek / onarım kesinlikle yapmayınız.
- Havalandırma için yeterli alan olduğuna emin olunuz.
- Kaynağa başlamadan önce torcun ucundan çıkan gaz debisini debimetre ile kontrol ediniz. Gazın debisi yüksek veya düşük ise yapılacak kaynağa uygun seviyeye getiriniz.



#### 6 Ayda Bir

- Civata, somun gibi birleştirici parçaları temizleyiniz ve sıkıştırınız.
- Elektrod pensesi ve toprak pensesi kablolarını kontrol ediniz.
- Makinenin yan kapaklarını açarak düşük basınçlı kuru hava ile temizleyiniz. Elektronik parçalara yakın mesafeden basınçlı hava uygulamayınız.
- Makinenin elektrik besleme fişinin bağlandığı prizi kontrol ediniz. Prizin enerji kablosu bağlantı noktalarında gevşeklik var ise gideriniz. Prizin yuvalarında ark veya genişleme var ise yenisi ile değiştiriniz.
- Makinenin elektrik besleme fişini kontrol ediniz. Elektrik fişinin içindeki kablo bağlantı noktalarında gevşeklik var ise gideriniz. Fişin uçlarında ark veya deformasyon var ise yenisi ile değiştiriniz.



**NOT:** Yukarıda belirtilen süreler, cihazınızda hiçbir sorunla karşılaşmaması durumunda uygulanması gereken maksimum periyotlardır. Çalışma ortamınızın yoğunluğuna ve kirliliğine göre yukarıda belirtilen işlemleri daha sık aralıklarla tekrarlayabilirsiniz.

### 3.2 Hata Giderme

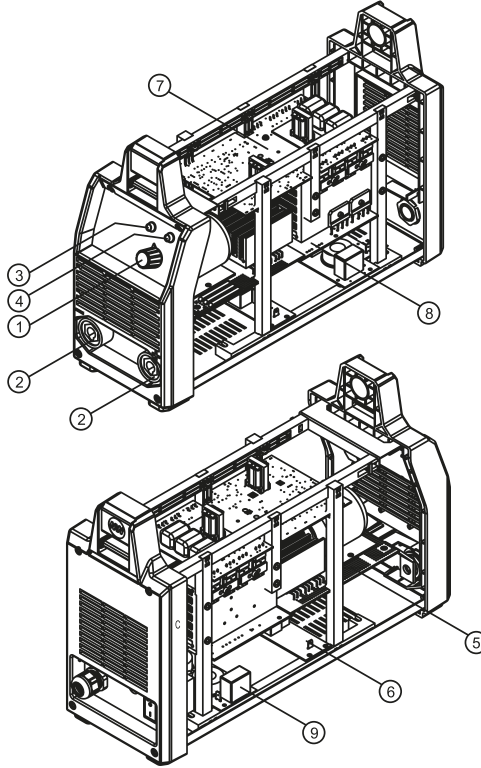
Aşağıdaki tablolarda karşılaşılan olası hatalar ve çözüm önerileri bulunmaktadır.

Hata	Çözüm
Ön paneldeki termik ledi yanıyor	<ul style="list-style-type: none"> <li>• Makinenin devrede kalma oranı aşımış olabilir. Bir süre bekleyerek makinenin soğumasını sağlayınız. Arıza ortadan kalkıyor ise daha düşük amper değerlerinde kullanmaya çalışınız</li> <li>• Fan çalışmıyor olabilir. Fanın çalışıp çalışmadığını göz ile kontrol ediniz. Çalışmaması durumunda yetkili servis ile irtibata geçiniz</li> <li>• Hava giriş-çıkış kanallarının önü kapanmış olabilir. Hava kanallarının önünü açınız</li> <li>• Makine çalışma ortamı aşırı sıcak ya da havasız olabilir. Makinenin daha rahat çalışabileceği bir alana yerleştirilmesini sağlayınız</li> </ul>
Makine hiç çalışmıyor	<ul style="list-style-type: none"> <li>• Makinenin elektrığe bağlı olduğundan emin olunuz</li> <li>• Şebeke bağlantılarının doğru olduğunu kontrol ediniz</li> <li>• Şebeke besleme sigortalarını, şebeke kablosunu ve fişini kontrol ediniz</li> <li>• Açma kapama anahtarını kontrol ediniz</li> <li>• Tüm kontrolleri yaptığınız halde sorun devam ediyor ise yetkili servis ile iletişime geçiniz</li> </ul>
Makine kötü kaynak yapıyor	<ul style="list-style-type: none"> <li>• Makinenin topraklama pensesinin iş parçasına bağlı olduğundan emin olunuz</li> <li>• Kabloların sağlamlığından ve bağlantı noktalarının aşınmamış olduğundan emin olunuz</li> <li>• Parametre ve proses seçiminin doğru olduğundan emin olunuz</li> <li>• Seçtiğiniz prosese göre aşağıdaki adımları uygulayınız : <ol style="list-style-type: none"> <li>1- Elektrodun bağlı olması gereken kutubu ve makinede ayarlanması gereken akım değerini kontrol ediniz</li> <li>2- Gaz akışının açık olduğunu kontrol ediniz, akışın doğru olduğundan emin olunuz</li> <li>3- Tungsten ucun temiz olduğundan emin olunuz</li> <li>4- Kaynak torcunun sağlamlığından emin olunuz</li> <li>5- Tüm kontrolleri yaptığınız halde sorun devam ediyor ise yetkili servis ile iletişime geçiniz</li> </ol> </li> </ul>

## EKLER

### 4.1 Yedek Parça Listesi

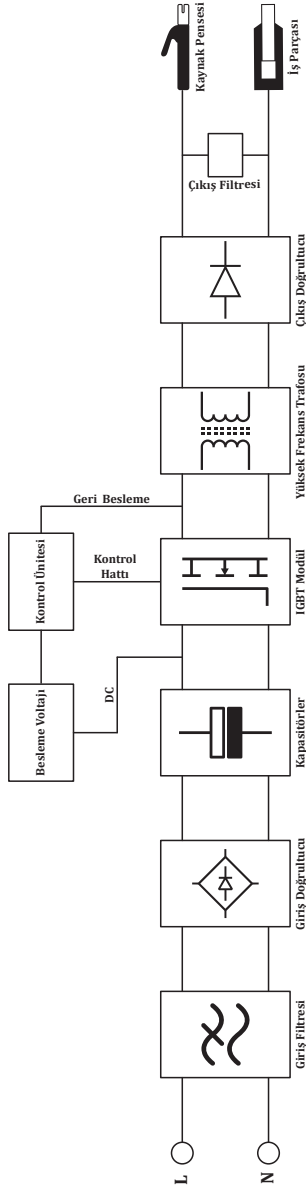
TR



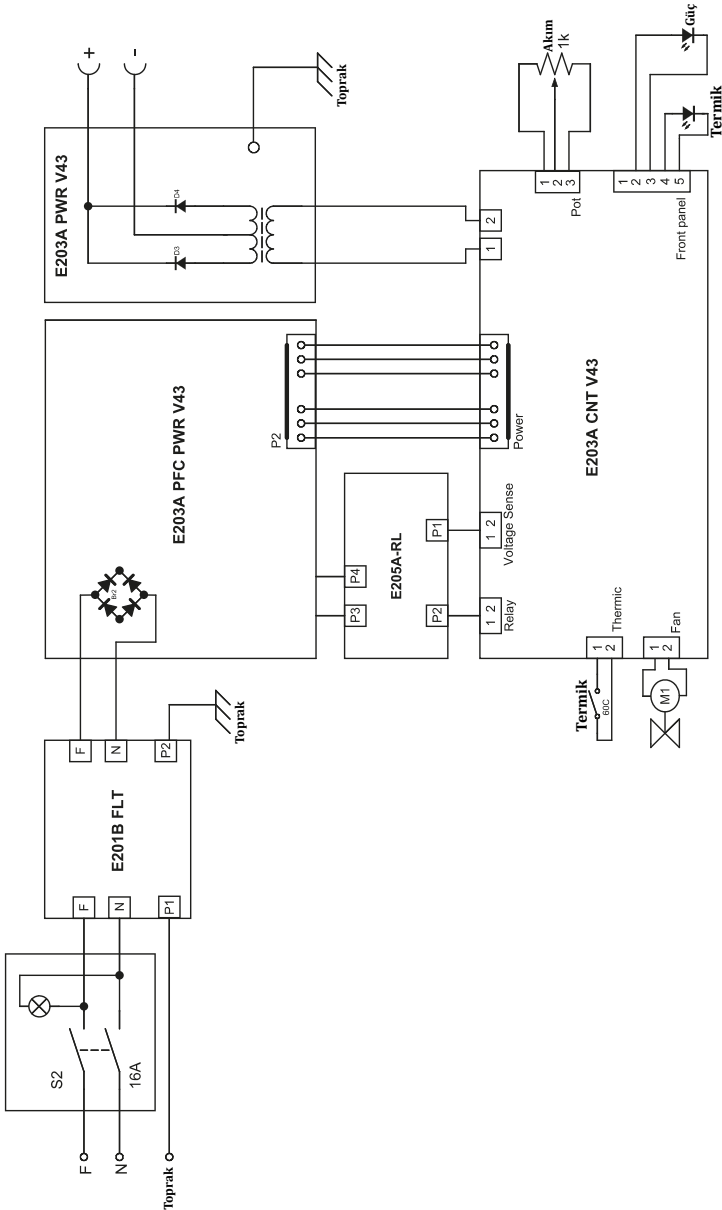
NO	TANIM	monoSTICK 200i
1	Potans Düğmesi	A229500001
2	Kaynak Prizi	A377900104
3	Kırmızı Led	A430800001
4	Yeşil Led	A430800002
5	Elektronik Kart E203A PWR	K405000208
6	Elektronik Kart E205A-RL	K405000212
7	Elektronik Kart E203A CNT	K405000225
8	Elektronik Kart E203A PWR 200	K405000226
9	Elektronik Kart E201B-FLT	K405000101
	Fan	A250200021
	Termostat	A314800106

## 4.2 Bağlantı Şemaları

### Blok Diyagram



## Devre Şeması





# MAGMA MEKATRONİK MAKİNE SANAYİ VE TİCARET A.Ş.

www.magmaweld.com

## DECLARATION OF CONFORMITY UYGUNLUK DEKLARASYONU



### Company / Firma

Magma Mekatronik Makine Sanayi ve Ticaret A.Ş.  
Organize Sanayi Bölgesi 5. Kısım Yalçın Özaras Caddesi No:1 45030 Manisa / TÜRKİYE

### Factory / Fabrika

Magma Mekatronik Makine Sanayi ve Ticaret A.Ş.  
Organize Sanayi Bölgesi 5. Kısım Yalçın Özaras Caddesi No:1 45030 Manisa / TÜRKİYE

### The Product / Ürün

Appropriate for professional and industrial usage.  
MONOSTICK 200i 200Amp (%14) Shielded metal arc welding machine

Profesyonel ve endüstriyel kullanıma uygun  
MONOSTICK 200i 200Amp (%14) Örtülü elektrod kaynak makinesi

### Date of assessment / Değerlendirme Tarihi

27.05.2021

### European Standard / Avrupa Standartı

EN IEC 60974- 1:2018+A1:2019 , EN 60974-10:2014+A1:2015

### Meet the requirements of the European Directive

### Gereklilikler Karşılanan Avrupa Direktifleri

EMC Directive 2014/30/EU - LVD Directive 2014/35/EU

Magma Mekatronik Makine Industry and Trade Co. We declare that the above mentioned products comply with the standard. This declaration will loose its validity in case of modification on the welding machine without our written authorization.

Magma Mekatronik Makine Sanayi ve Ticaret A.Ş. olarak yukarıda geçen ürünün standartlara uygun olduğunu beyan ederiz. Yazılı iznimiz olmaksızın makine üzerinde yapılan değişiklikler bu belgeyi geçersiz kılacaktır.

### Date of issue / Yayın Tarihi

Manisa - 12.10.2021

**Barış Özgür TUĞGAN**  
Ar-Ge Müdürü / R&D Manager



## ЕВРАЗИЙСКИЙ ЭКОНОМИЧЕСКИЙ СОЮЗ ДЕКЛАРАЦИЯ О СООТВЕТСТВИИ

**Заявитель** Общество с ограниченной ответственностью "МАГМАВЭЛД СПб"

Место нахождения и адрес места осуществления деятельности: 191124, Россия, город Санкт-Петербург, улица Ставропольская, Дом 10, Литера А, Помещение 217

Основной государственный регистрационный номер 1187847141503.

Телефон: +78123317470 Адрес электронной почты: magmaweld@inbox.ru

**в лице** Генерального директора Гавшинского Андрея Львовича

**заявляет, что** Оборудование для сварки и газотермического напыления: аппараты для дуговой сварки модели:

MINISTICK, MINISTICK DELUXE, MEGASTICK, MEGASTICK DELUXE, ID 800E, MONOSTICK 165i, MONOSTICK 200i, PROSTICK 200i, ID 250 E, ID 300 E, ID 350 E, ID 400 E, RD 500 E, RD 650 E, GL 451, TD 355, GL 600, ID 250E BASIC, MONOTIG 160i BASIC, MONOTIG 160i, MONOTIG 200i, MONOTIG 160ip, MONOTIG 220ip, MONOTIG 220ip AC/DC, ID 250 T DC, ID 300 T DC, ID 250 T DC PULSE, ID 300 T DC PULSE, ID 250 TW DC, ID 300 TW DC, ID 250 TW DC PULSE, ID 300 TW DC PULSE, ID 300 T AC/DC PULSE, ID 300 TW AC/DC PULSE, ID 500TW DC PULSE, ID 500TW AC/DC PULSE, MONOMIG 200ik, ID 300 M, MEGAMIG, RS 65 PCA, ID 65 PCB, ID 300 M SMART, ID 300 M PULSE SMART, ID 300 M EXPERT, ID 300 M PULSE EXPERT, ID 300 MW SMART, ID 300 MW PULSE SMART, ID 300 MW EXPERT, ID 300 MW PULSE EXPERT, ID 400 M SMART, ID 400 M PULSE SMART, ID 400 M EXPERT, ID 400 M PULSE EXPERT, ID 400 MW SMART, ID 400 MW PULSE SMART, ID 400 MW EXPERT, ID 400 MW PULSE EXPERT, ID 500 M SMART, ID 500 M PULSE SMART, ID 500 M EXPERT, ID 500 M PULSE EXPERT, ID 500 MW SMART, ID 500 MW PULSE SMART, ID 500 MW EXPERT, ID 500 MW PULSE EXPERT, ID 300 MK SMART, ID 300 MK PULSE SMART, ID 300 MK EXPERT, ID 300 MK PULSE EXPERT, ID 300 MKW SMART, ID 300 MKW PULSE SMART, ID 300 MKW EXPERT, ID 300 MKW PULSE EXPERT, ID 400 MK SMART, ID 400 MK PULSE SMART, ID 400 MK EXPERT, ID 400 MK PULSE EXPERT, ID 400 MKW SMART, ID 400 MKW PULSE SMART, ID 400 MKW EXPERT, ID 400 MKW PULSE EXPERT, RS 200 MK, RS 250 M, RS 250 MK, RS 300 M, RS 300 MK, RS 350 M, RS 350 M PRO, RS 350MK PRO, RS 350MW PRO, RS 350 MW, RS 350 MK, RS 400 M, RS 400 MW, RS 400 MK, RS 450M PRO, RS 450 MW PRO, RS 500 M, RS 500 MW, RS 550 M PRO, RS 550 MW PRO, RD 650 MW.

**Изготовитель** "Magma Mekatronik Makine Sanayi ve Ticaret A.S."

Место нахождения и адрес места осуществления деятельности по изготовлению продукции: Турция, Organize Sanayi Bölgesi, 5.Kisim, 45030 Manisa

Филиал: "MAGMAWELD ULUSLARARASI TICARET A.S." Турция, Dereboyu Cad. Bilim Sok. Sun Plaza 5/7 Maslak, 34398 Istanbul **Продукция изготовлена в соответствии с Директивой 2014/35/EU**

"Низковольтное оборудование", Директивой 2014/30/EU "Электромагнитная совместимость", Директивой 2006/42/ЕС "Безопасность машин и оборудования".

Код (коды) ТН ВЭД ЕАЭС: 8515391800

Серийный выпуск.

**соответствует требованиям**

Технического регламента Таможенного союза ТР ТС 004/2011 "О безопасности низковольтного оборудования"

Технического регламента Таможенного союза ТР ТС 010/2011 "О безопасности машин и оборудования"

Технического регламента Таможенного союза ТР ТС 020/2011 "Электромагнитная совместимость технических средств"

**Декларация о соответствии принята на основании**

Протокола испытаний № 00501/ТС/072021 от 07.07.2021 года, выданного Испытательной лабораторией ООО «ТЕХНОСИИ» (регистрационный номер аттестата аккредитации RU.SSK4.04ЕЛКО)

Схема декларирования соответствия: Id

**Дополнительная информация**

Условия хранения: продукция хранится в сухих, проветриваемых складских помещениях при температуре от 0 °С до +30 °С, при относительной влажности воздуха не более 80 %. Срок хранения: изготовителем не установлен. **Срок службы: 5 лет.**

**Декларация о соответствии действительна с даты регистрации по 11.07.2024 включительно**

  
(подпись)



Гавшинский Андрей Львович

(Ф.И.О. заявителя)

Регистрационный номер декларации о соответствии: ЕАЭС N RU Д-TR.PA01B.00558/21

Дата регистрации декларации о соответствии: 14.07.2021

# YETKİLİ SERVİSLER

## MERKEZ SERVİS

Organize Sanayi Bölgesi, 5. Kısım 45030 MANİSA

**Telefon :** 444 93 53

**E-Posta :** info@magmaweld.com

---

## YETKİLİ SERVİSLER



Güncel servis listemiz için [www.magmaweld.com.tr/servis-listesi](http://www.magmaweld.com.tr/servis-listesi) web sitemizi ziyaret ediniz.

**Magma Mekatronik Makine Sanayi ve Ticaret A.Ş.**  
Organize Sanayi Bölgesi, 5. Kısım 45030 Manisa, TÜRKİYE

**T: (236) 226 27 00**

**F: (236) 226 27 28**

01.08.2022

UM\_MONOS200\_082022\_082022\_001\_60

---



**(+90) 444 93 53**  
**magmaweld.com**  
**info@magmaweld.com**